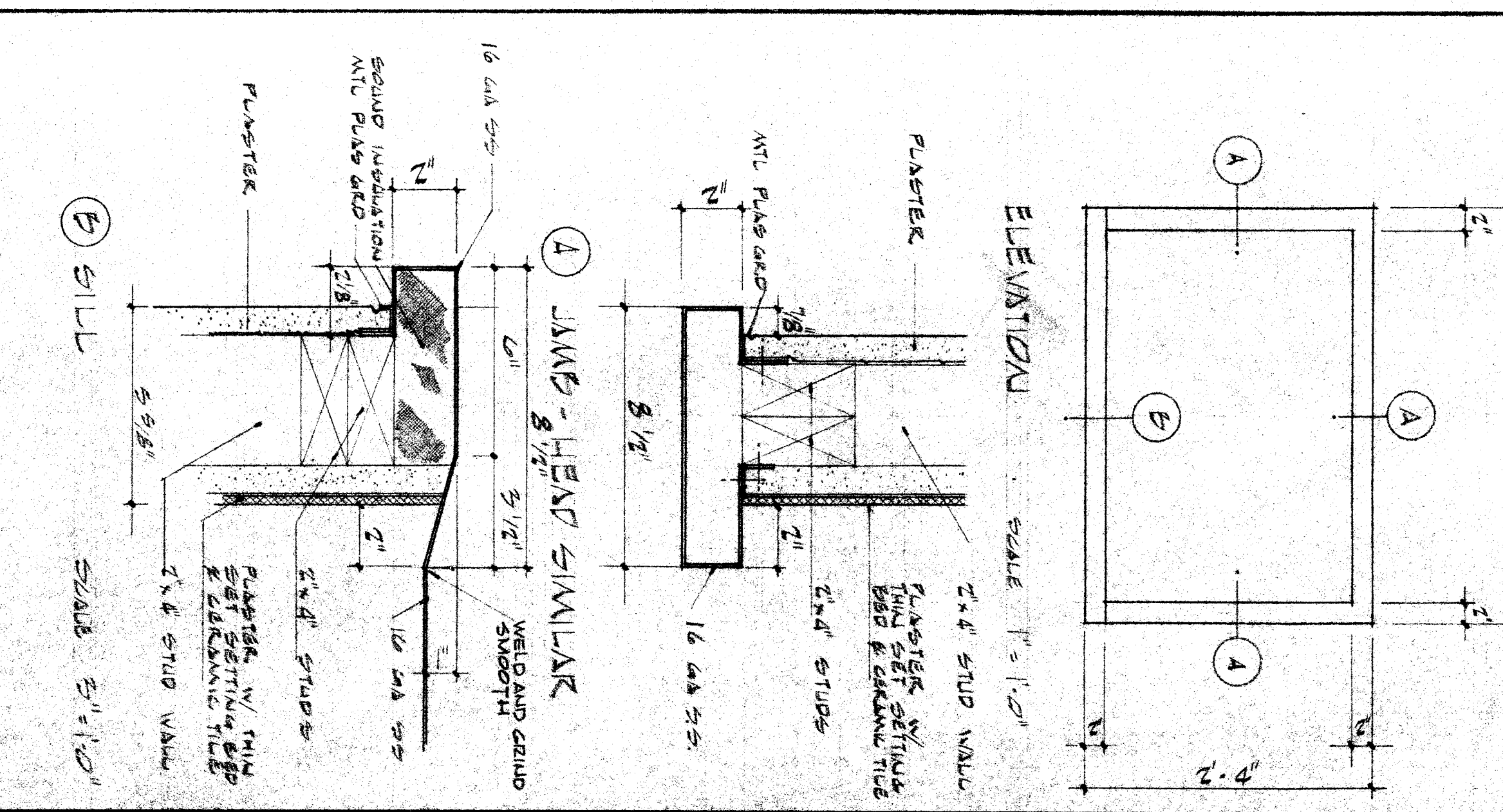
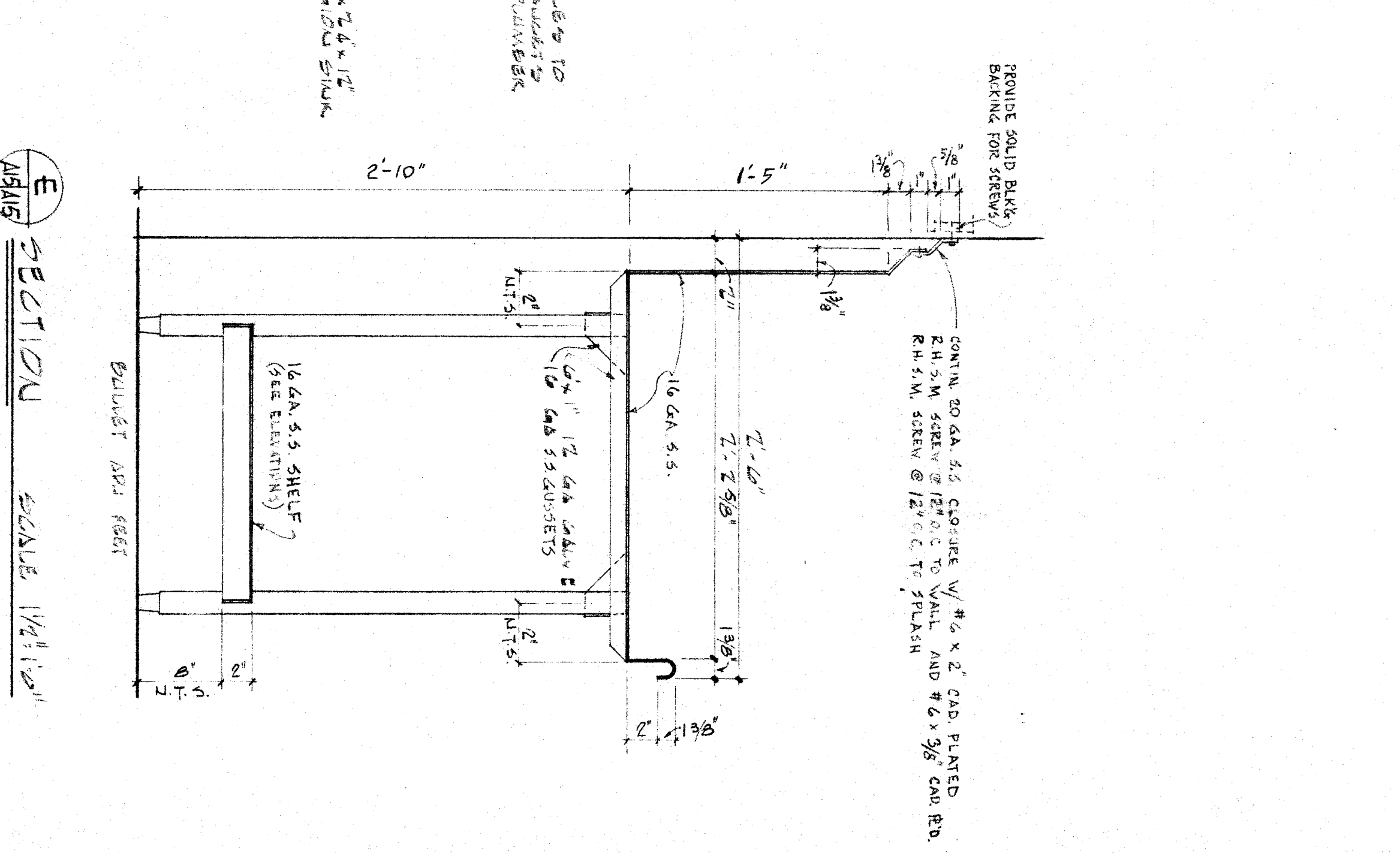
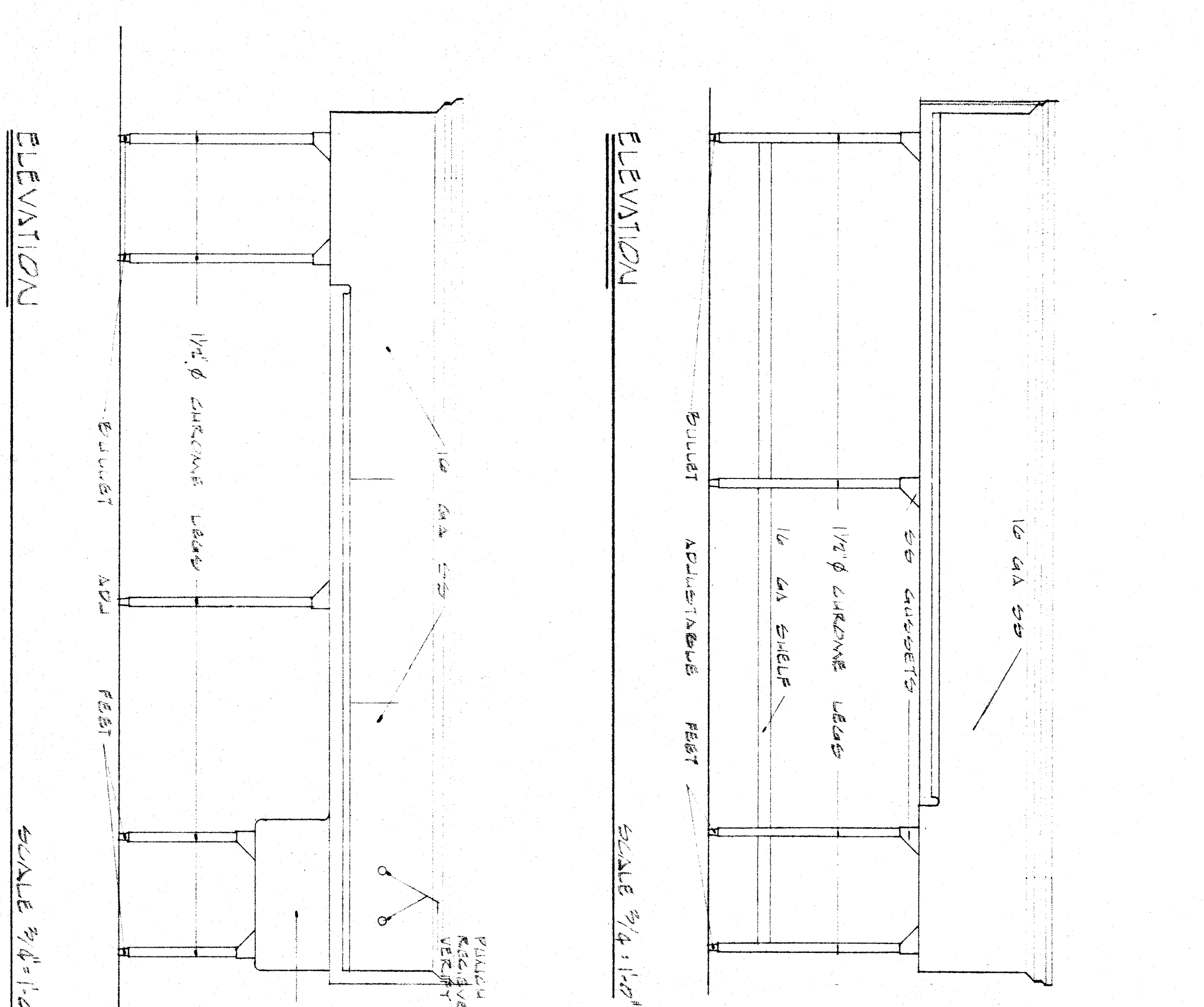
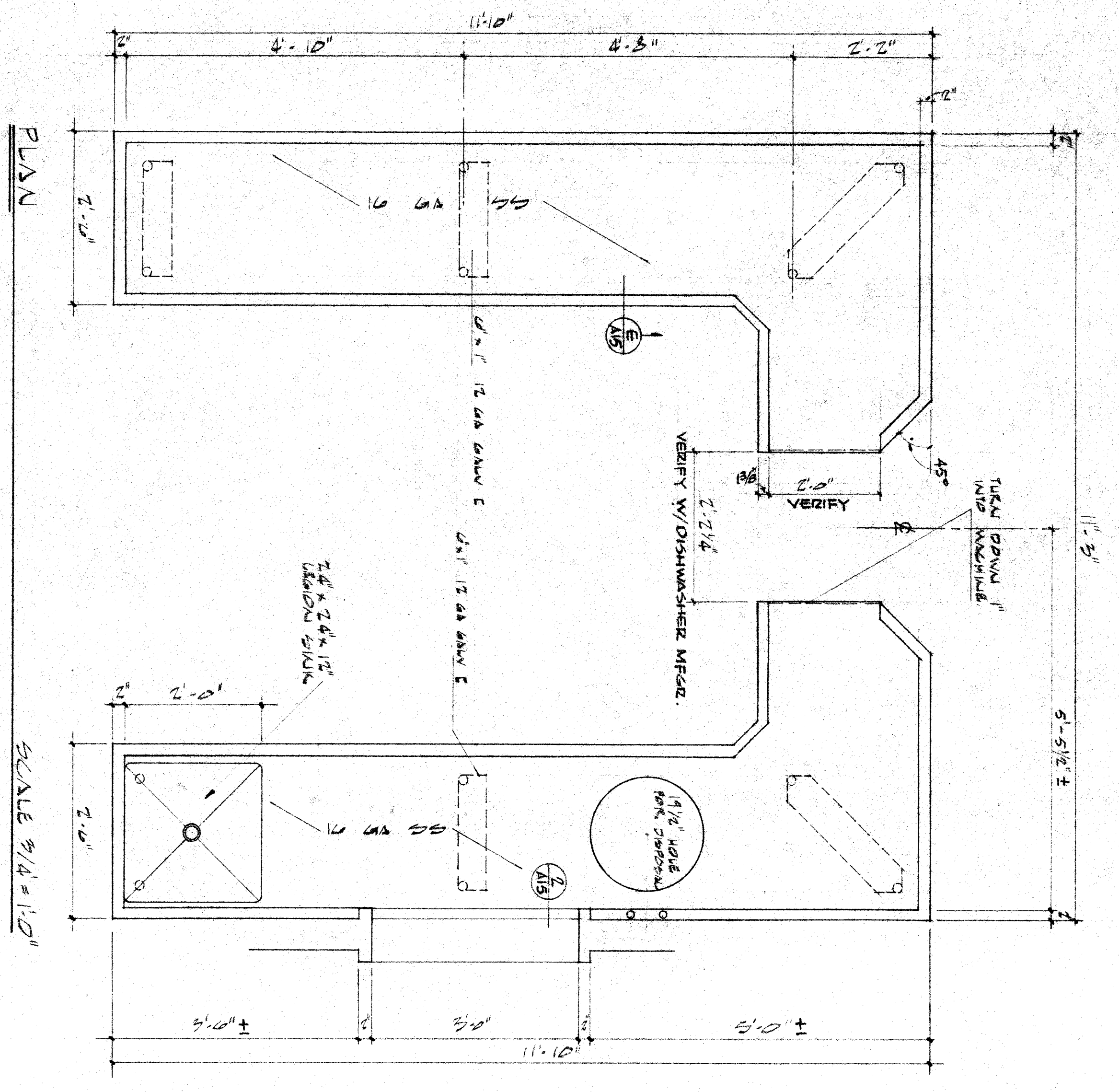
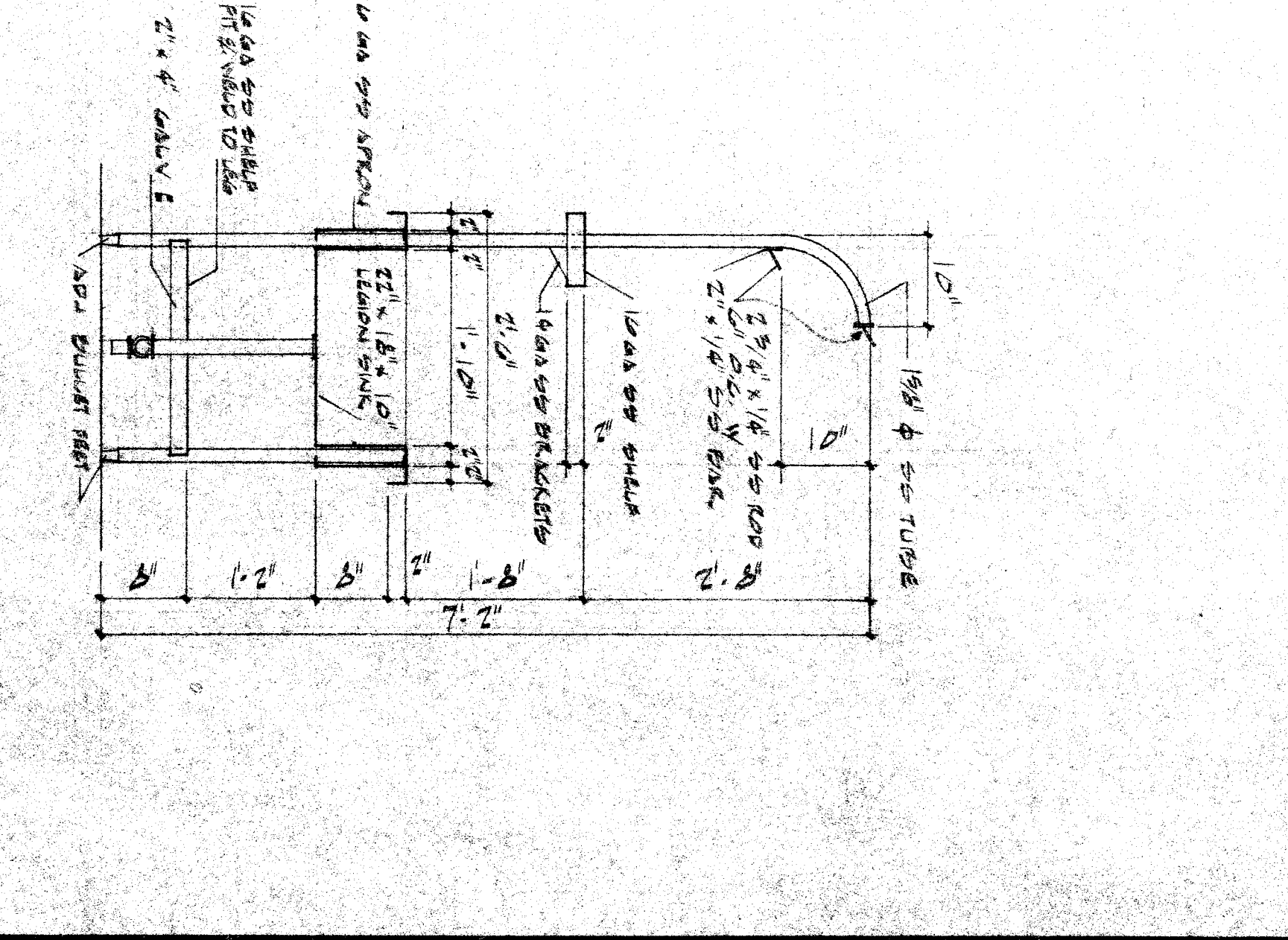
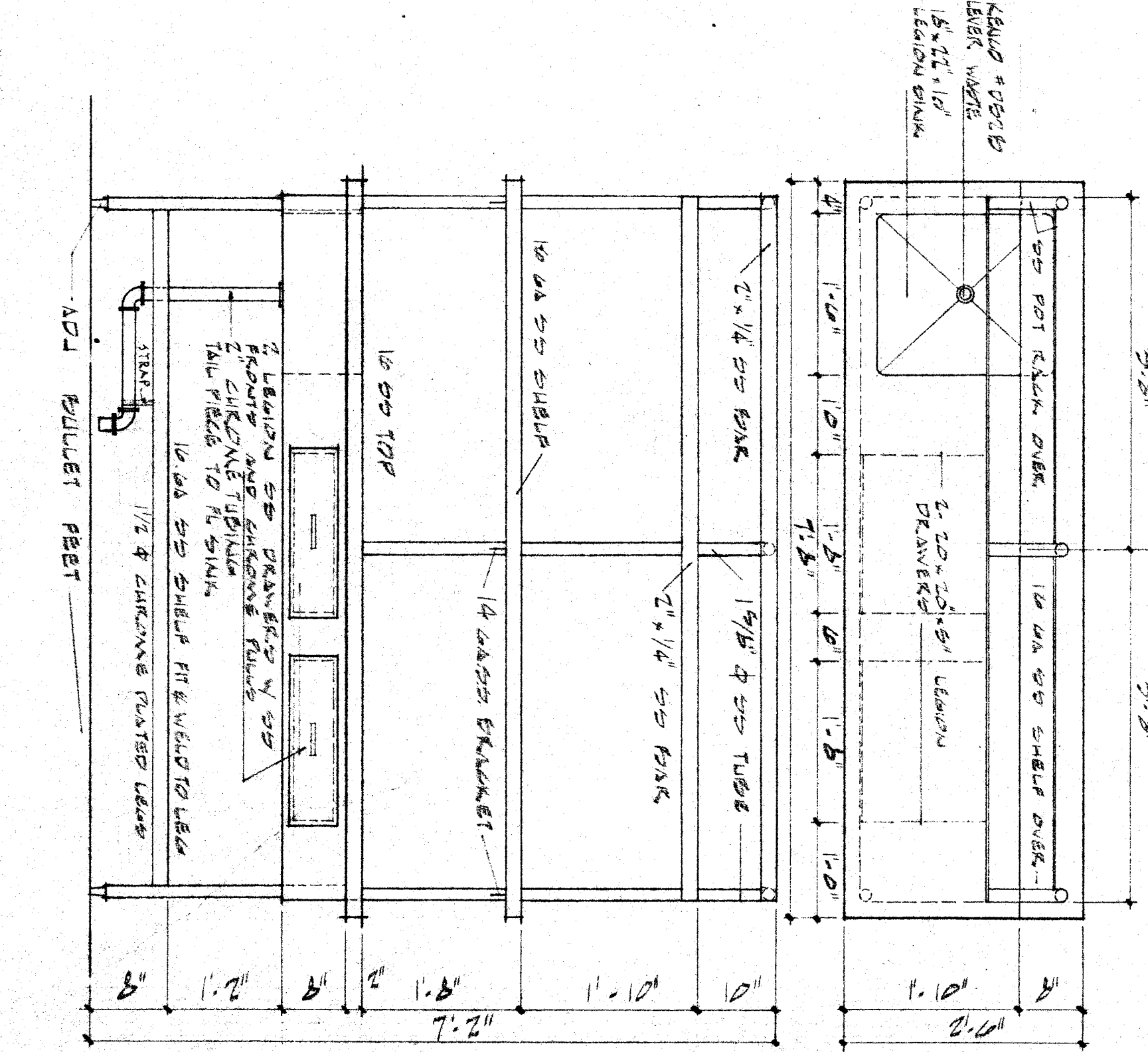
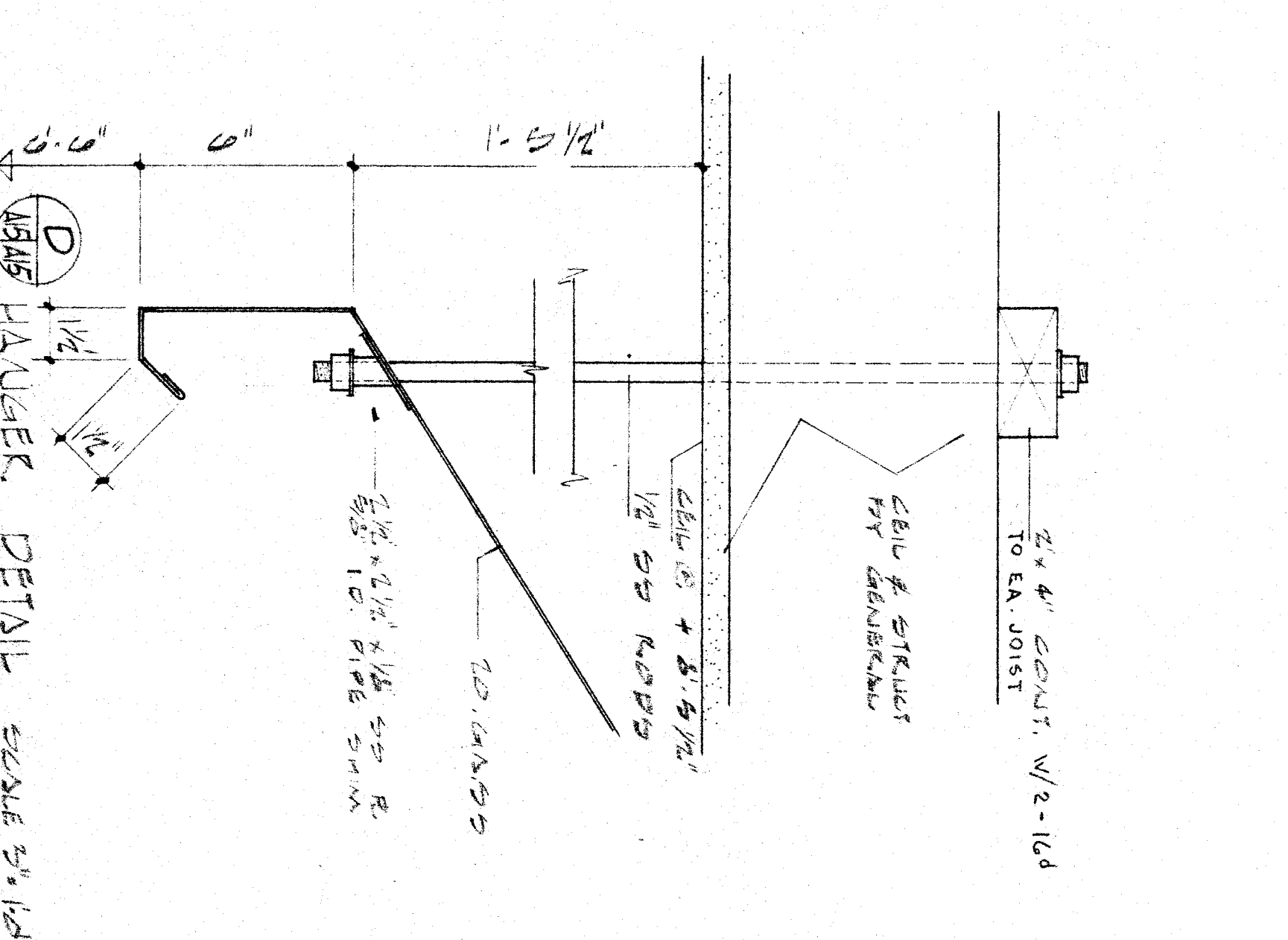
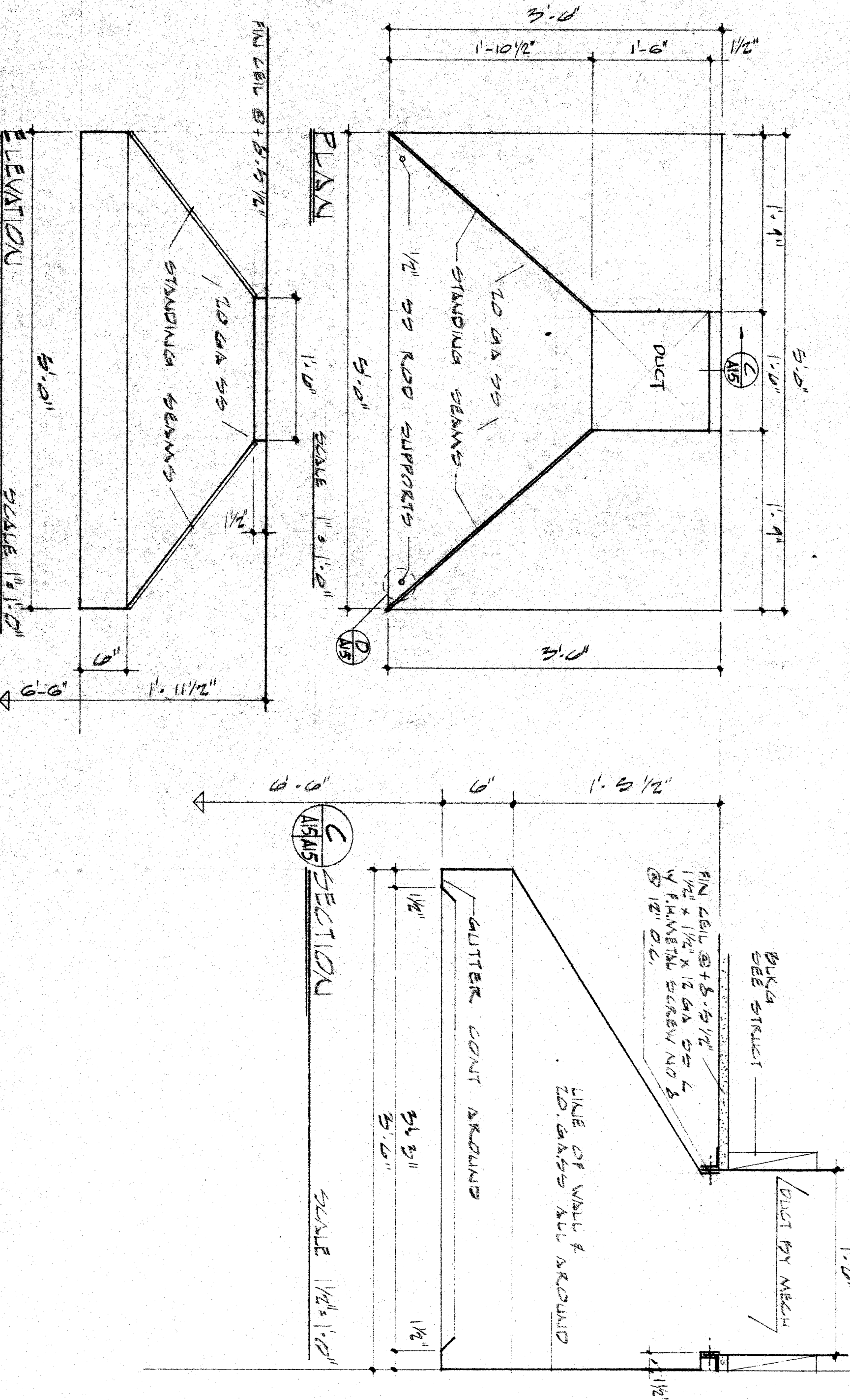


NOTE
SEE DET. 3 SHEET A-5 FOR ADDITIONAL KITCHEN EQUIPMENT



CLEAN & SOILED DISHWASHER
SCALE AS NOTED

PASTHARDWARE
SCALE AS NOTED



CHECK AND VERIFY ALL DIMENSIONS AND CONDITIONS AT JOB SITE BEFORE PROCEEDING WITH THE WORK. R. E. V. I. S. I. O. N. S. DATE:		REPORT ANY DISCREPANCIES TO THE ARCHITECT. DRAWN:		CHECKED:	
STATE OF CALIFORNIA STATE FIRE MARSHAL APPROVED: [Signature] DATE: 2/5/99		REPORT ANY DISCREPANCIES TO THE ARCHITECT. DRAWN:		CHECKED:	
APPROVED - DATE:		APPROVED - DATE:		APPROVED - DATE:	
ERNEST L. MCGOY AIA ARCHITECT 2811 H STREET BAKERSFIELD		ERNEST L. MCGOY AIA ARCHITECT 2811 H STREET BAKERSFIELD		HENRY ESSLER ELEMENTARY SCHOOL BAKERSFIELD CITY SCHOOL DISTRICT BAKERSFIELD, CALIFORNIA.	
SHEET NO. 15 OF 19 SHEETS		SHEET NO. 15 OF 19 SHEETS		SHEET NO. 15 OF 19 SHEETS	