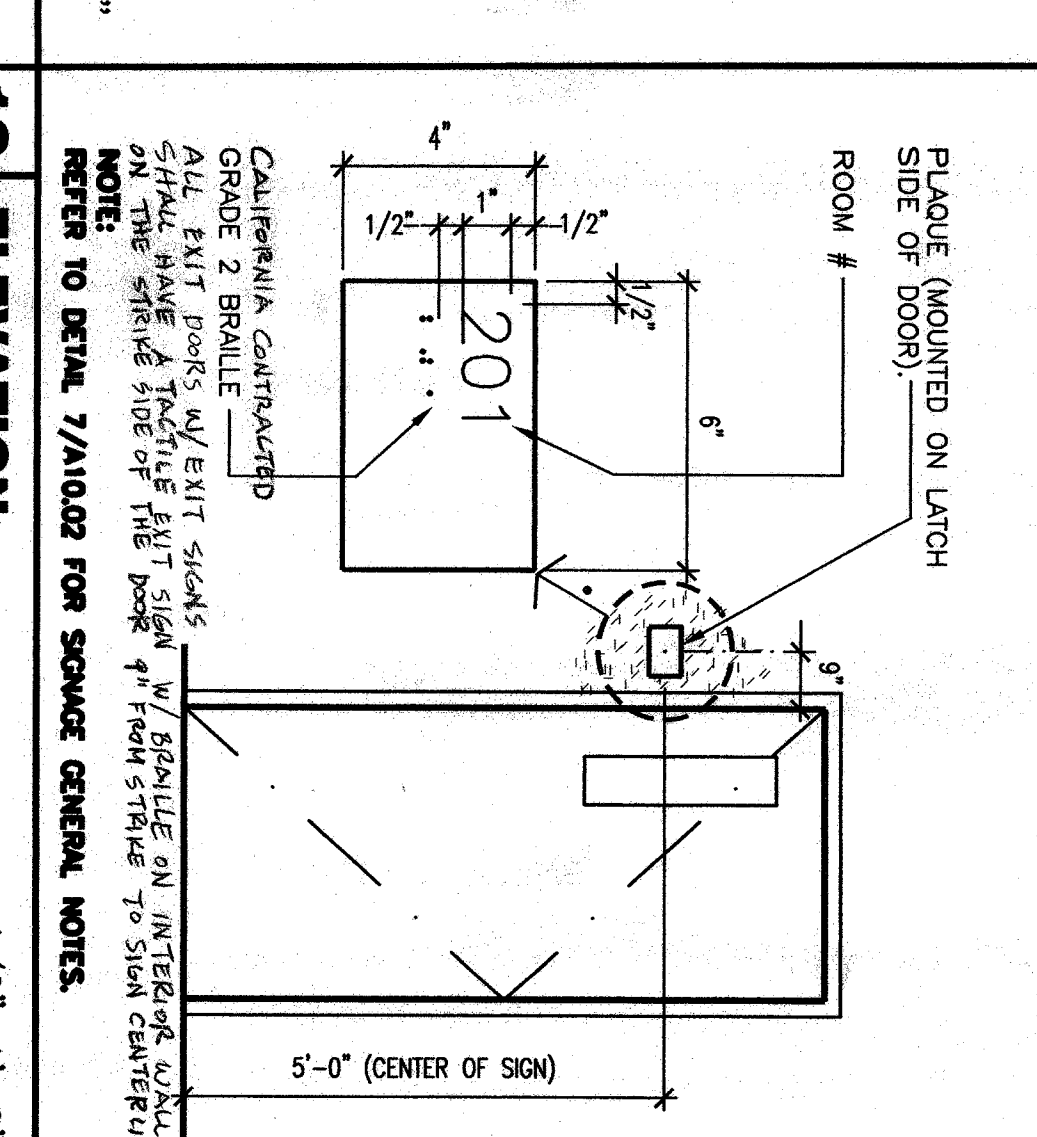
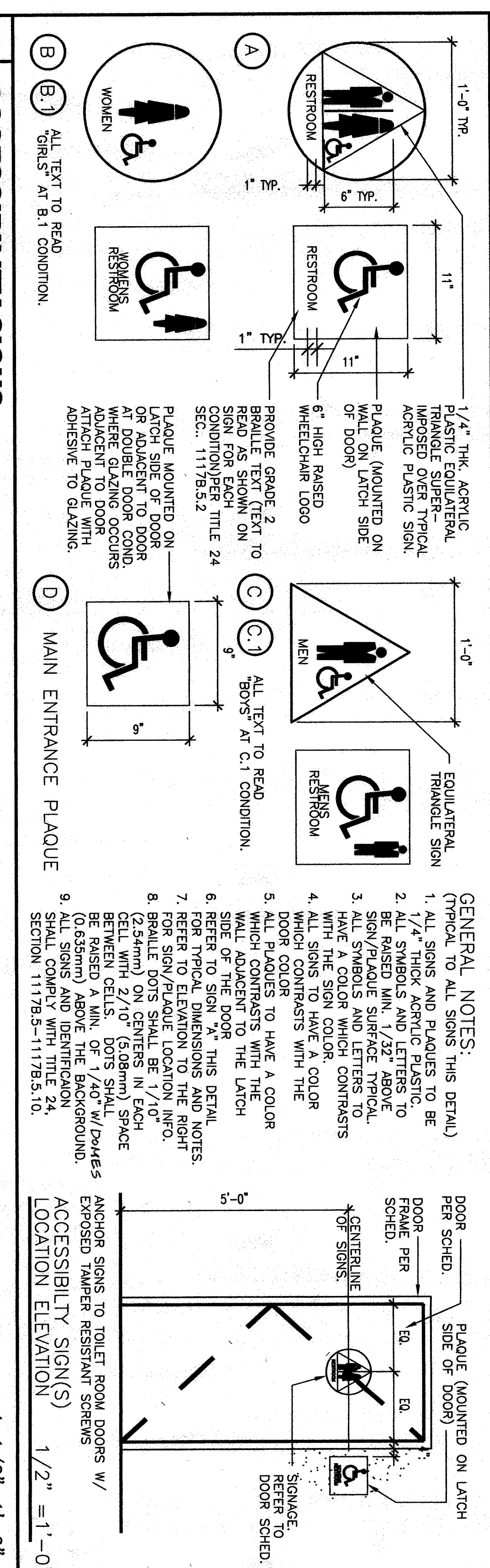


NOTES:
1. ALL FIXTURES/ACCESSORIES NECESSARILY OCCUR IN THIS PROJECT.
2. HEIGHTS LISTED ON THESE SHEETS ARE TO THE CENTER OF THE ITEM UNLESS OTHERWISE NOTED.
3. THE ITEMS IN THIS DETAIL ARE TO ADJUST TO PERSONS WITH DISABILITIES.
4. WATER CLOSET FLUSH VALVE SHALL BE LOCATED ON THE WIDE SIDE OF THE ROOM STALL.

	ADULT	KINDER
A TOILET CENTERLINE FROM WALL	18"	12"
B TOILET SEAT HEIGHT (DIMENSION TO TOP OF SEAT)	17"-19"	15"
C GRAB BAR HEIGHT (SIDE)	33"	10"-12"
D TOILET PAPER IN FRONT OF TOILET	12" MAX	6" MAX
E NAPKIN DISP. IN FRONT OF TOILET	40" MAX	N/A
F DISPENSER OR WIPER HEIGHT (TO REFLECTIVE SURFACE)	35" MAX	32" MAX
G LAVATORY/SINK TOP HEIGHT	34" MAX	24" MAX
H LAVATORY/SINK KNEE CLEARANCE	27" MIN	14" MIN
I URINAL UP HEIGHT	44" MAX	37" MAX
J URINAL FLUSH HANDLE HEIGHT	35" MAX	22" MAX
K DRINKING FOUNTAIN BUBBLER HEIGHT	27" MIN	24" MIN
L DRINKING FOUNTAIN KNEE CLEARANCE	34"-38"	22"
M RAMP/STAIR HANDRAIL HEIGHT	34"-38"	22"

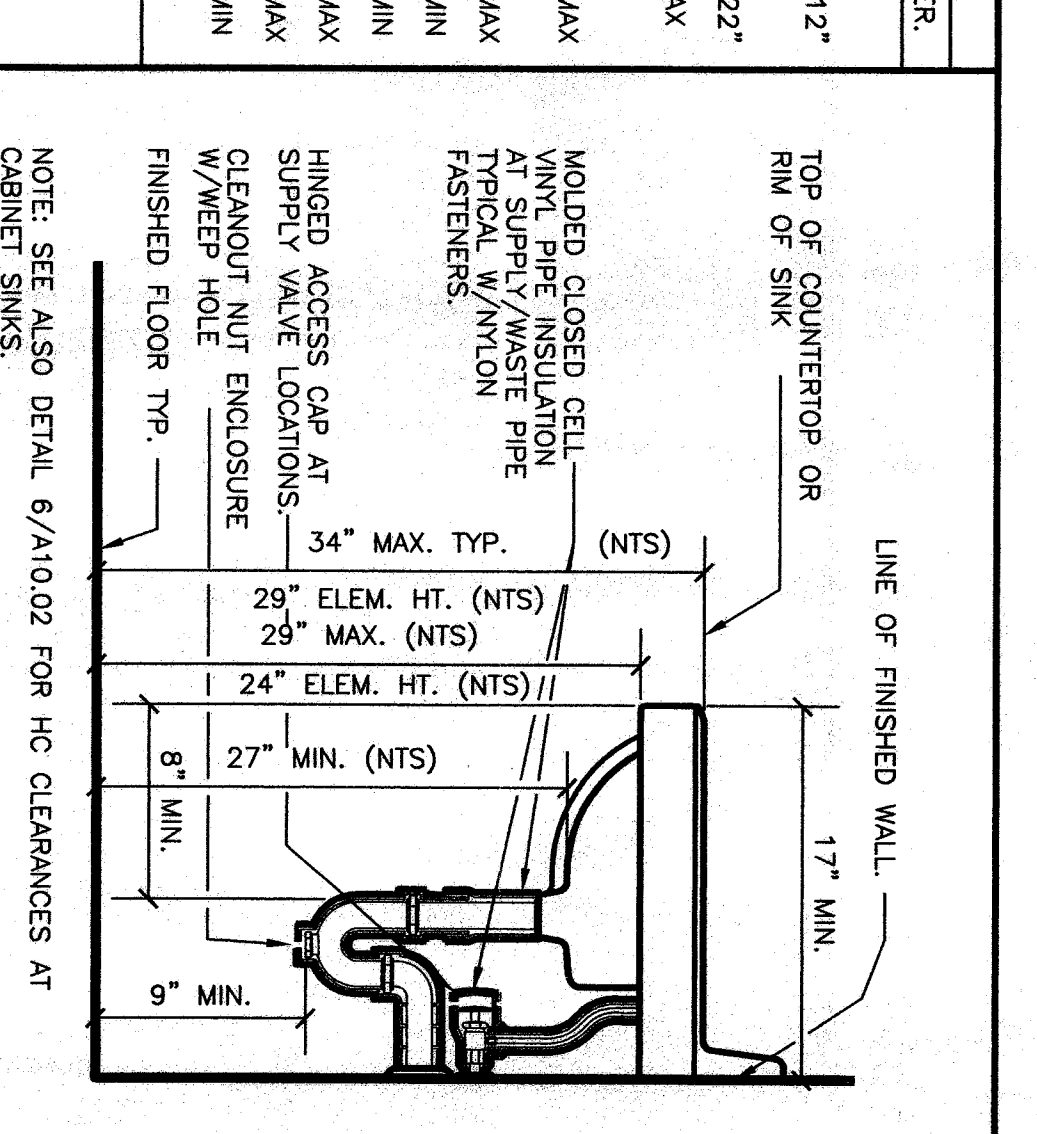
1 STANDARD MOUNTING HEIGHT SCHEDULE

N.T.S.



7 ACCESSIBILITY SIGNS

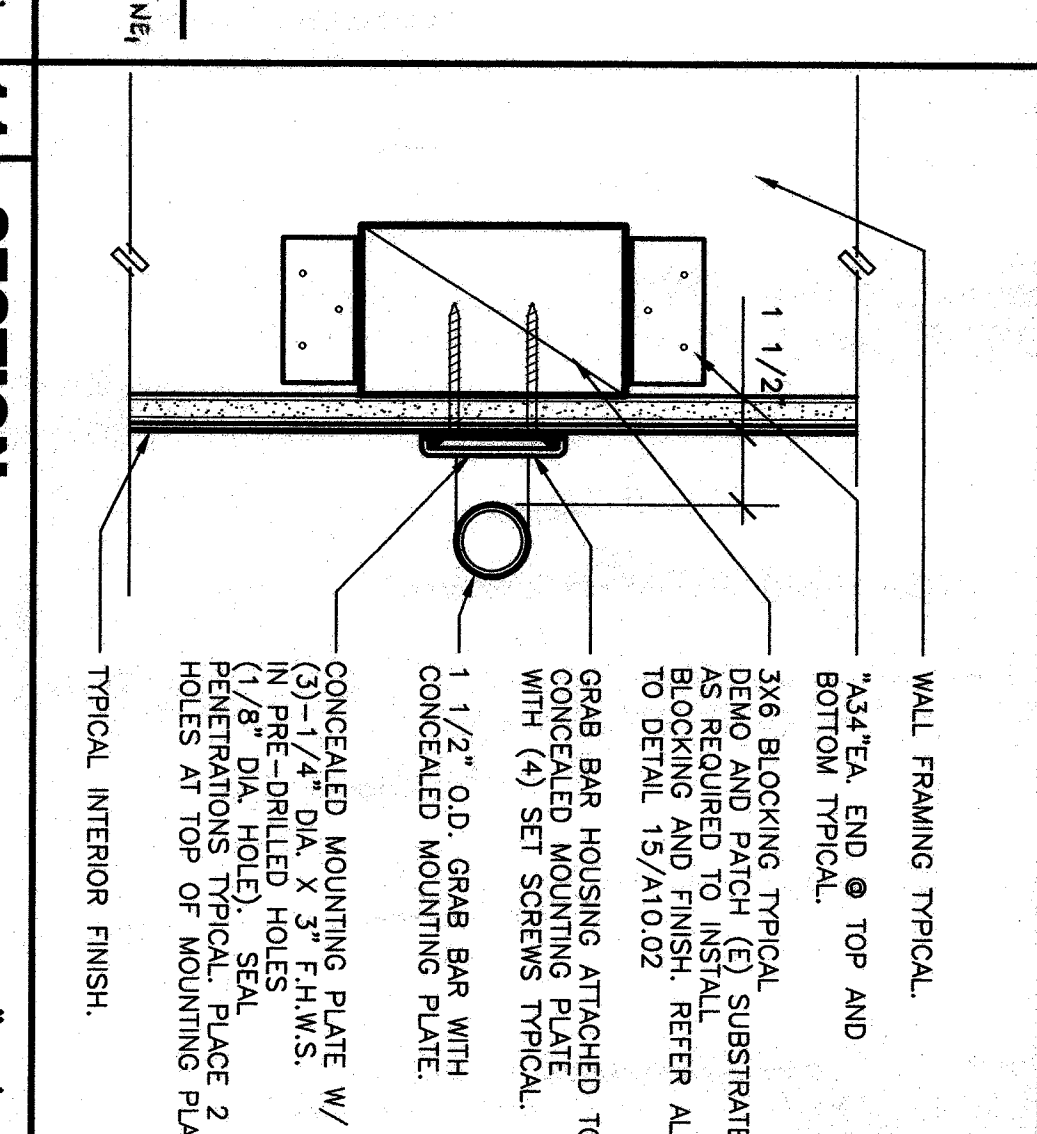
1 1/2" = 1'-0"



GENERAL NOTES:
1. ALL SIGNS AND PLACES TO BE MOUNTED SHALL BE 1/4" THICK ACRYLIC PLASTIC.
2. ALL SYMBOLS AND LETTERS TO BE MOUNTED SHALL BE 1/4" HIGH.
3. ALL SYMBOLS AND LETTERS TO BE MOUNTED SHALL BE IN A COLOR WHICH CONTRASTS WITH THE BACKGROUND.
4. ALL SIGNS TO HAVE A COLOR WHICH CONTRASTS WITH THE BACKGROUND.
5. ALL PLACES TO HAVE A COLOR WHICH CONTRASTS WITH THE BACKGROUND.
6. REFER TO SIGN 'X' THIS DETAIL FOR TYPICAL DIMENSIONS AND NOTES.
7. REFER TO SIGN 'Y' THIS DETAIL FOR SIGN PLACEMENT AND NOTES.
8. REFER TO SIGN 'Z' THIS DETAIL FOR SIGN PLACEMENT AND NOTES.
9. REFER TO SIGN 'A' THIS DETAIL FOR SIGN PLACEMENT AND NOTES.
10. REFER TO SIGN 'B' THIS DETAIL FOR SIGN PLACEMENT AND NOTES.
11. REFER TO SIGN 'C' THIS DETAIL FOR SIGN PLACEMENT AND NOTES.
12. REFER TO SIGN 'D' THIS DETAIL FOR SIGN PLACEMENT AND NOTES.
13. REFER TO SIGN 'E' THIS DETAIL FOR SIGN PLACEMENT AND NOTES.
14. REFER TO SIGN 'F' THIS DETAIL FOR SIGN PLACEMENT AND NOTES.
15. REFER TO SIGN 'G' THIS DETAIL FOR SIGN PLACEMENT AND NOTES.
16. REFER TO SIGN 'H' THIS DETAIL FOR SIGN PLACEMENT AND NOTES.
17. REFER TO SIGN 'I' THIS DETAIL FOR SIGN PLACEMENT AND NOTES.
18. REFER TO SIGN 'J' THIS DETAIL FOR SIGN PLACEMENT AND NOTES.
19. REFER TO SIGN 'K' THIS DETAIL FOR SIGN PLACEMENT AND NOTES.
20. REFER TO SIGN 'L' THIS DETAIL FOR SIGN PLACEMENT AND NOTES.
21. REFER TO SIGN 'M' THIS DETAIL FOR SIGN PLACEMENT AND NOTES.
22. REFER TO SIGN 'N' THIS DETAIL FOR SIGN PLACEMENT AND NOTES.
23. REFER TO SIGN 'O' THIS DETAIL FOR SIGN PLACEMENT AND NOTES.
24. REFER TO SIGN 'P' THIS DETAIL FOR SIGN PLACEMENT AND NOTES.
25. REFER TO SIGN 'Q' THIS DETAIL FOR SIGN PLACEMENT AND NOTES.
26. REFER TO SIGN 'R' THIS DETAIL FOR SIGN PLACEMENT AND NOTES.
27. REFER TO SIGN 'S' THIS DETAIL FOR SIGN PLACEMENT AND NOTES.
28. REFER TO SIGN 'T' THIS DETAIL FOR SIGN PLACEMENT AND NOTES.
29. REFER TO SIGN 'U' THIS DETAIL FOR SIGN PLACEMENT AND NOTES.
30. REFER TO SIGN 'V' THIS DETAIL FOR SIGN PLACEMENT AND NOTES.
31. REFER TO SIGN 'W' THIS DETAIL FOR SIGN PLACEMENT AND NOTES.
32. REFER TO SIGN 'X' THIS DETAIL FOR SIGN PLACEMENT AND NOTES.
33. REFER TO SIGN 'Y' THIS DETAIL FOR SIGN PLACEMENT AND NOTES.
34. REFER TO SIGN 'Z' THIS DETAIL FOR SIGN PLACEMENT AND NOTES.

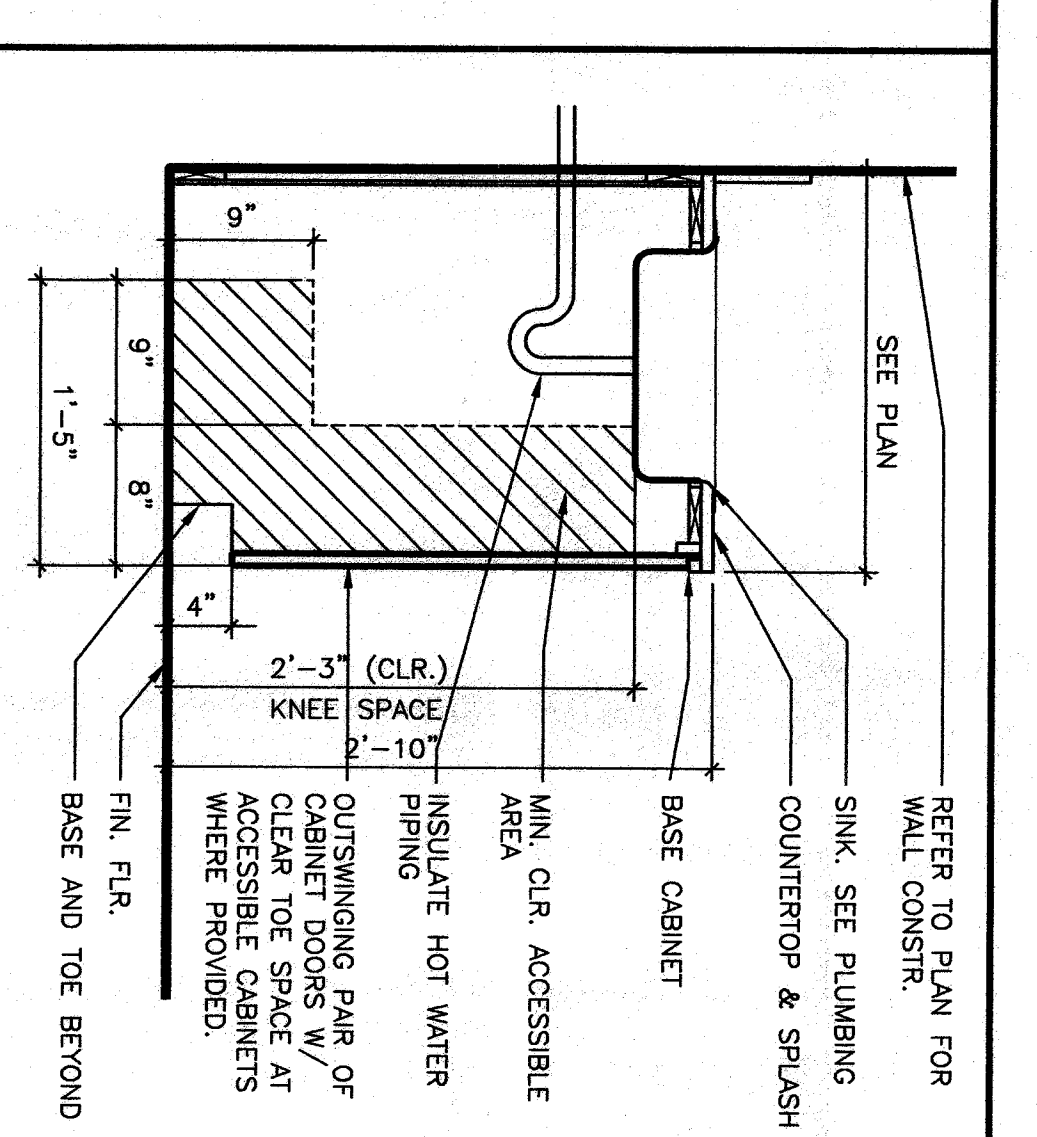
4 MOUNTING HEIGHTS

N.T.S.



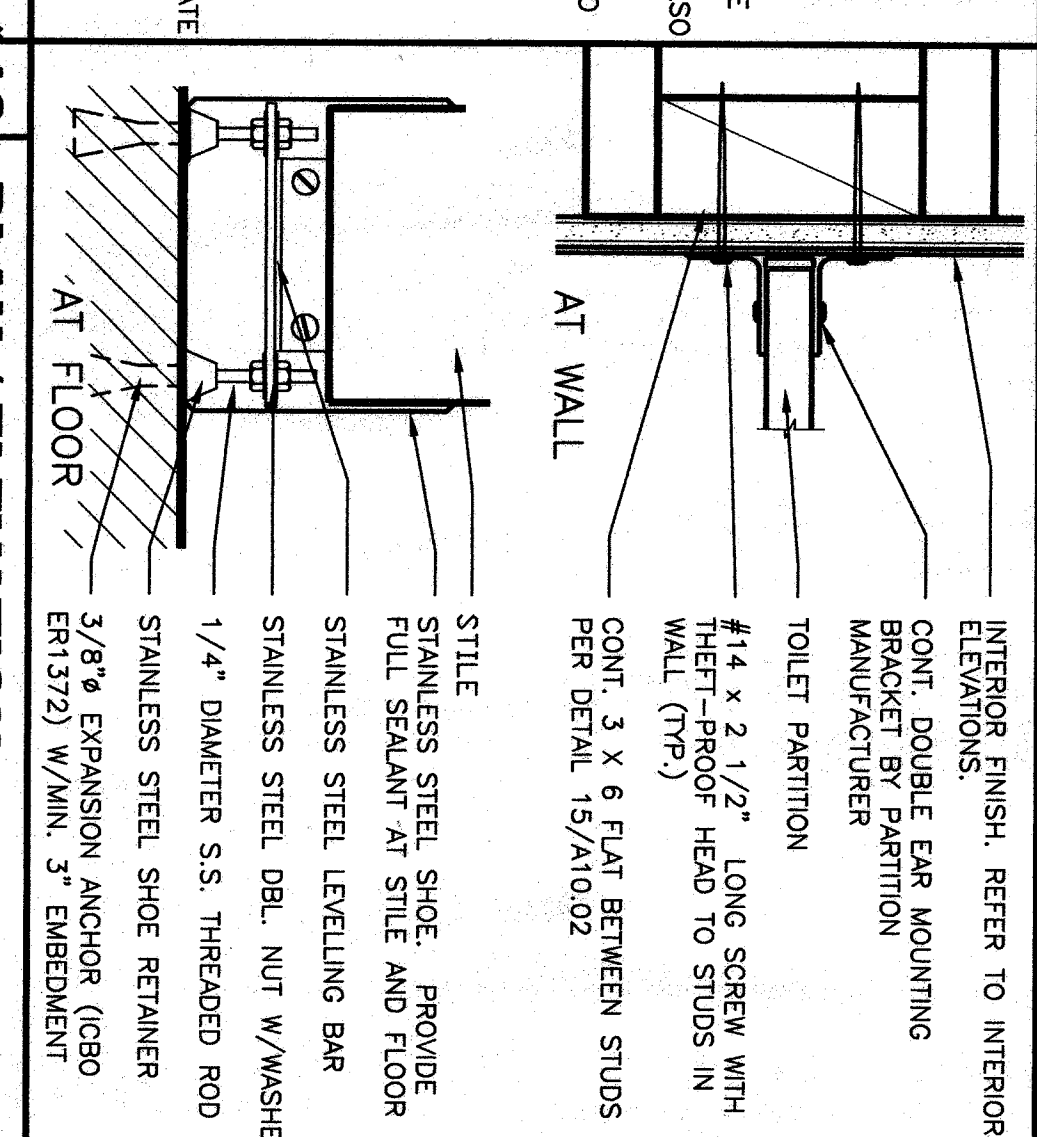
10 ELEVATION

1/2" = 1'-0"



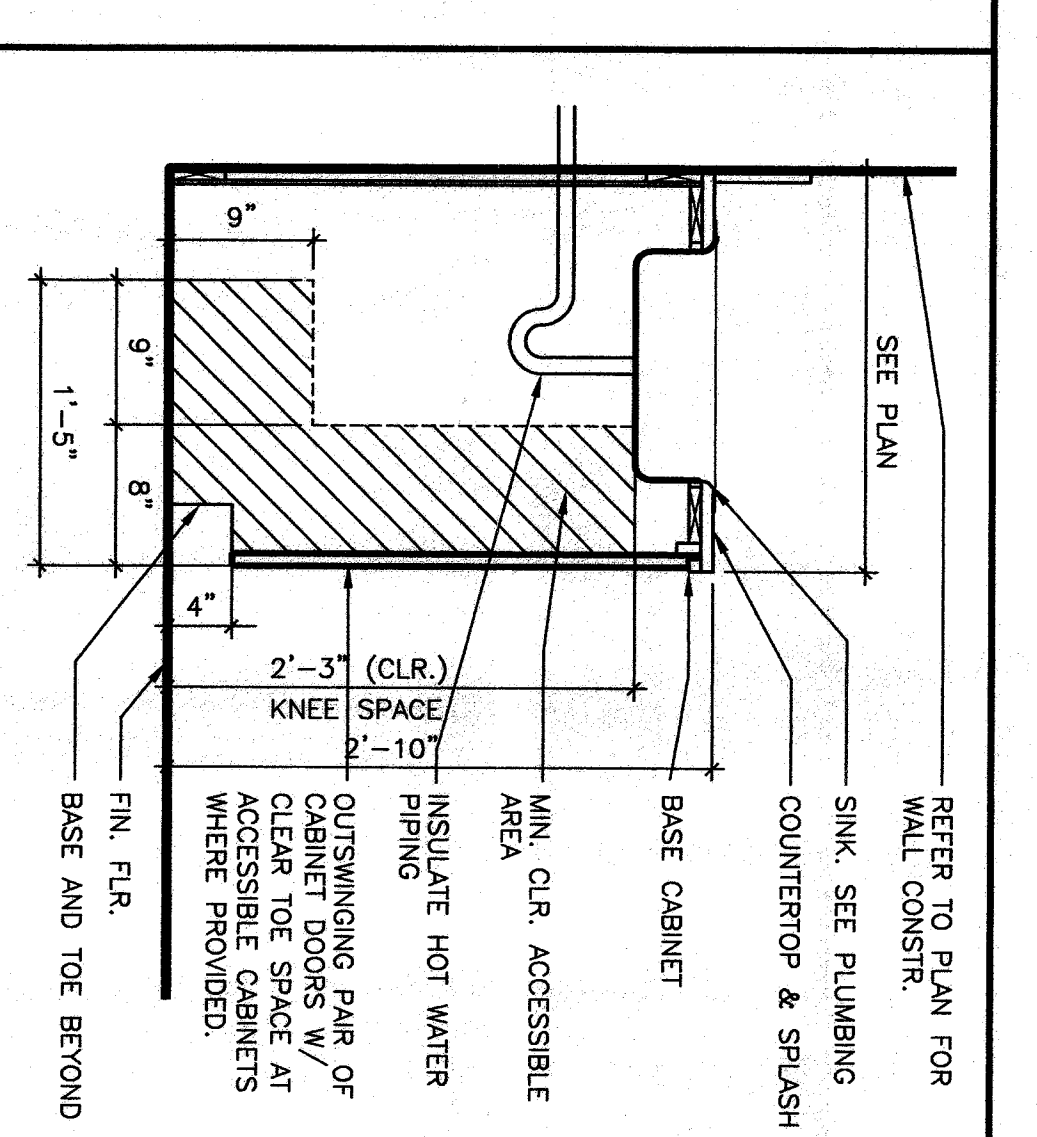
5 ELEVATION

1 1/2" = 1'-0"



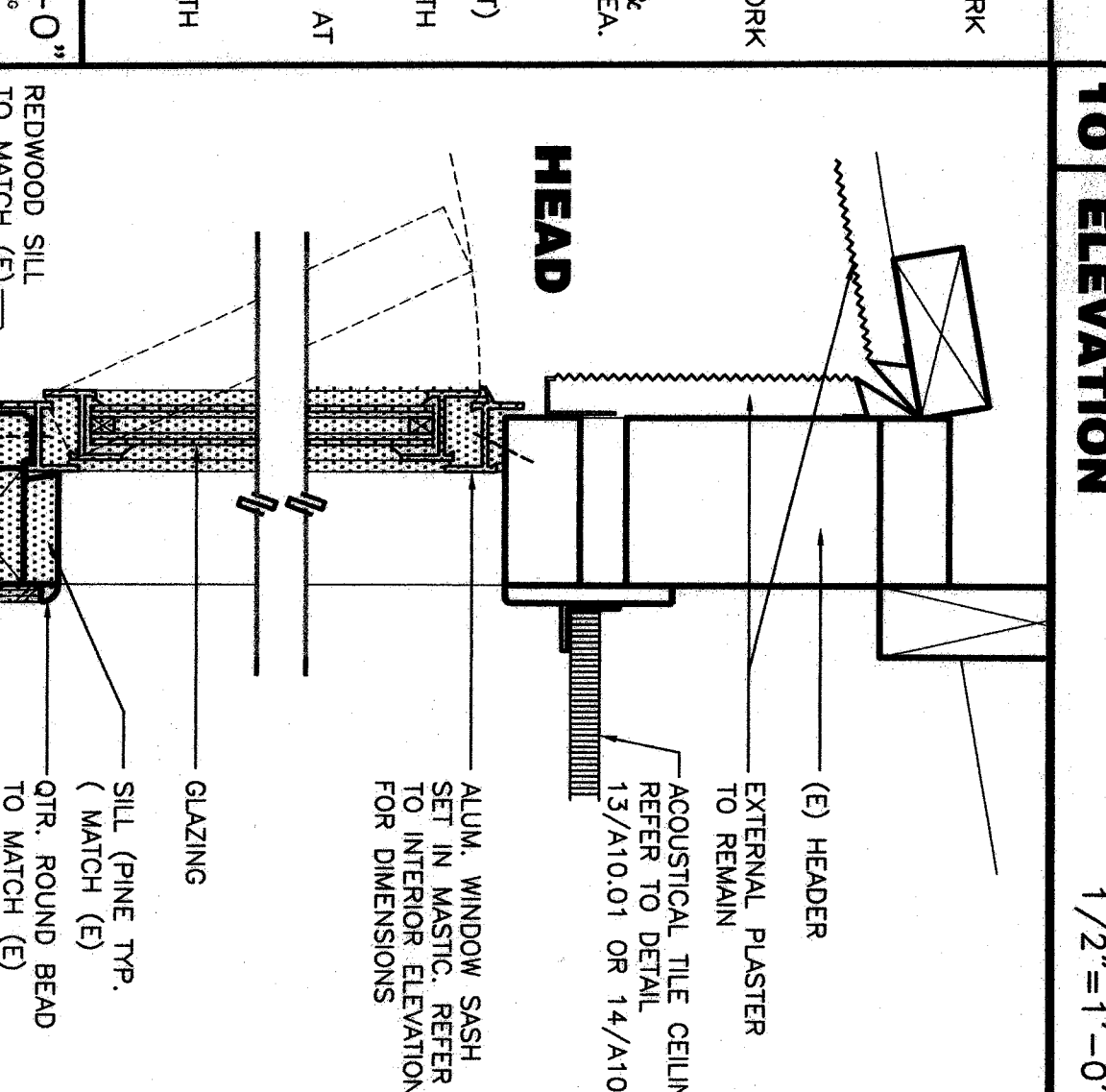
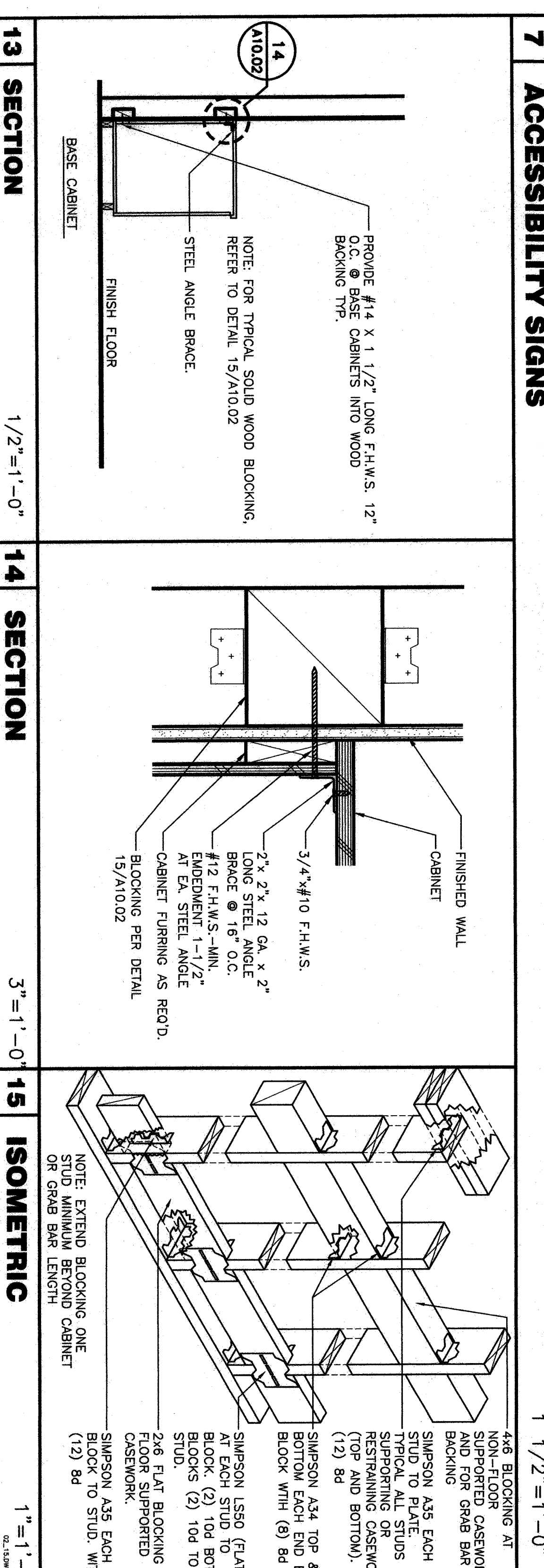
11 SECTION

3" = 1'-0"



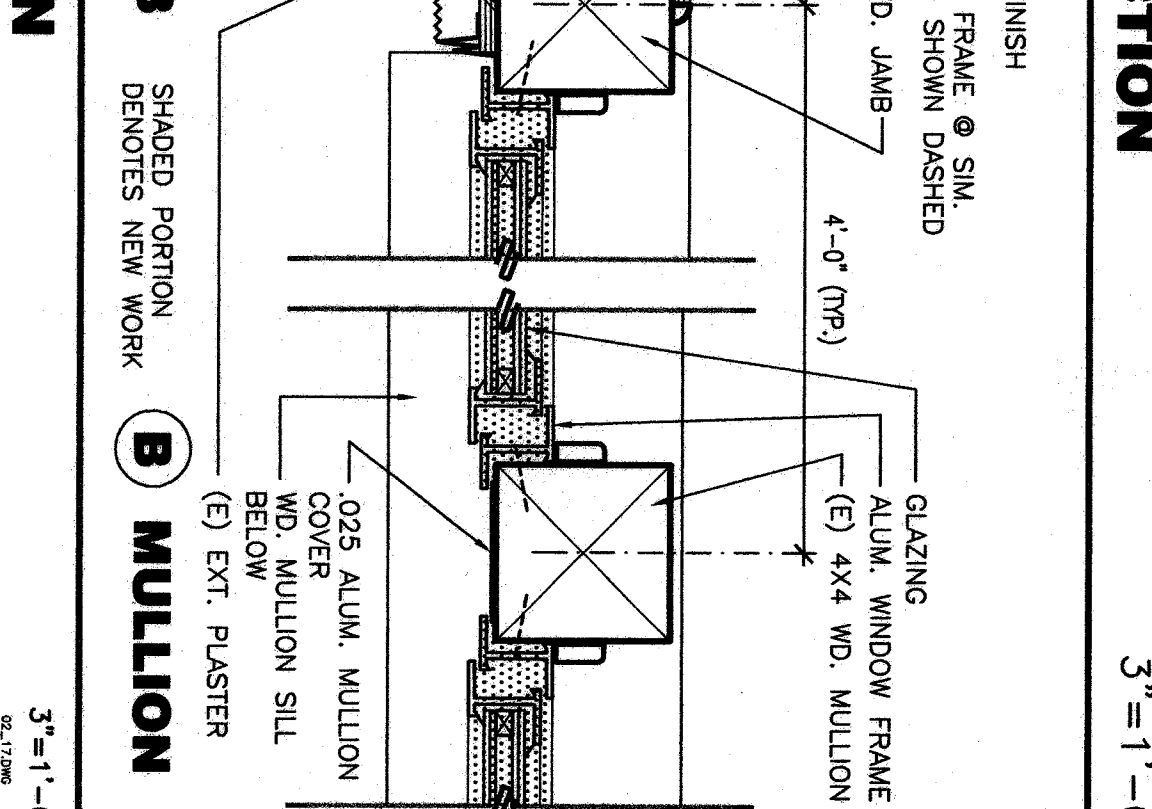
6 SECTION

1" = 1'-0"



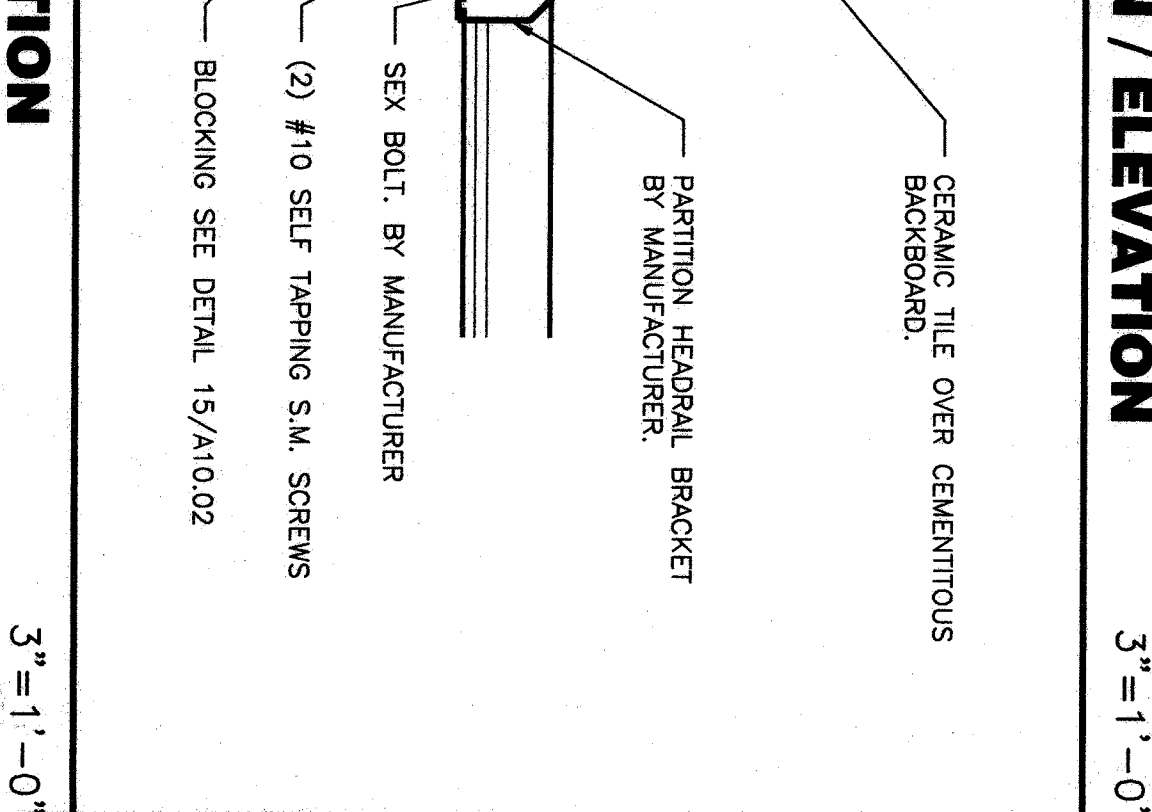
13 SECTION

1/2" = 1'-0"



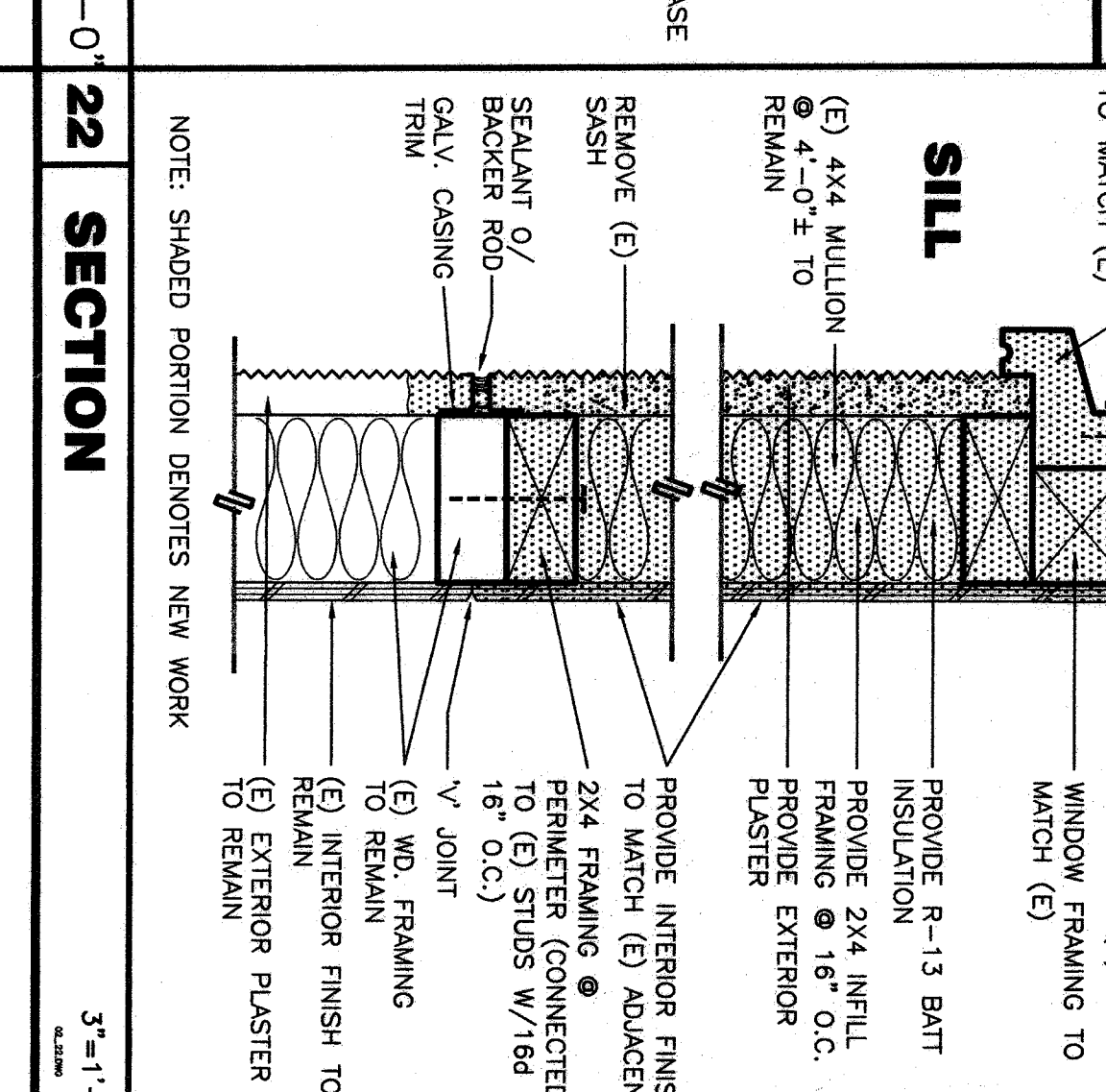
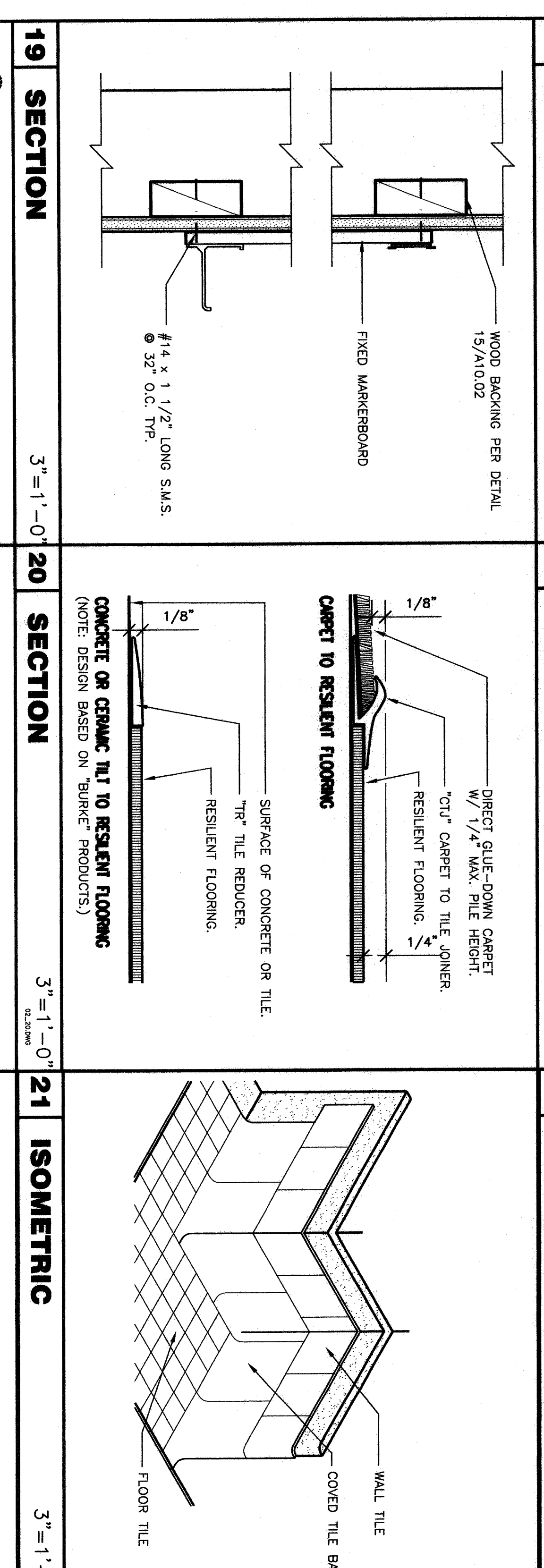
14 SECTION

3" = 1'-0"



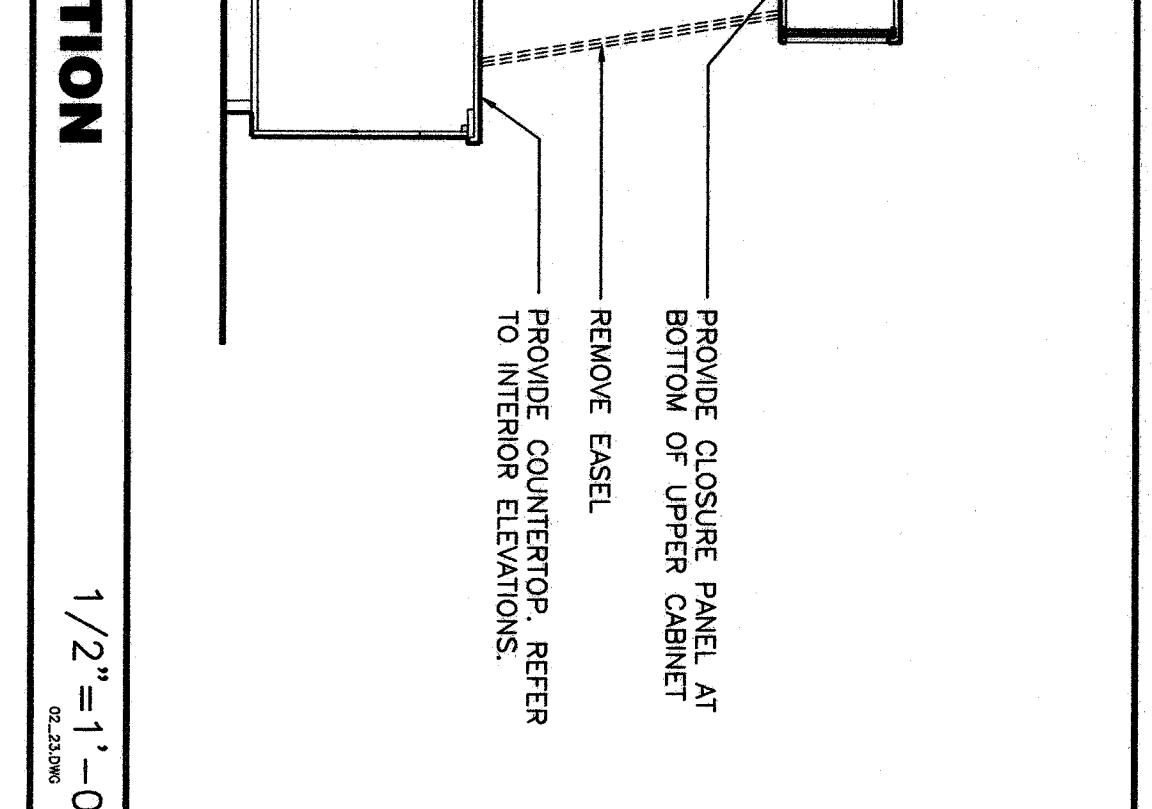
15 ISOMETRIC

1" = 1'-0"



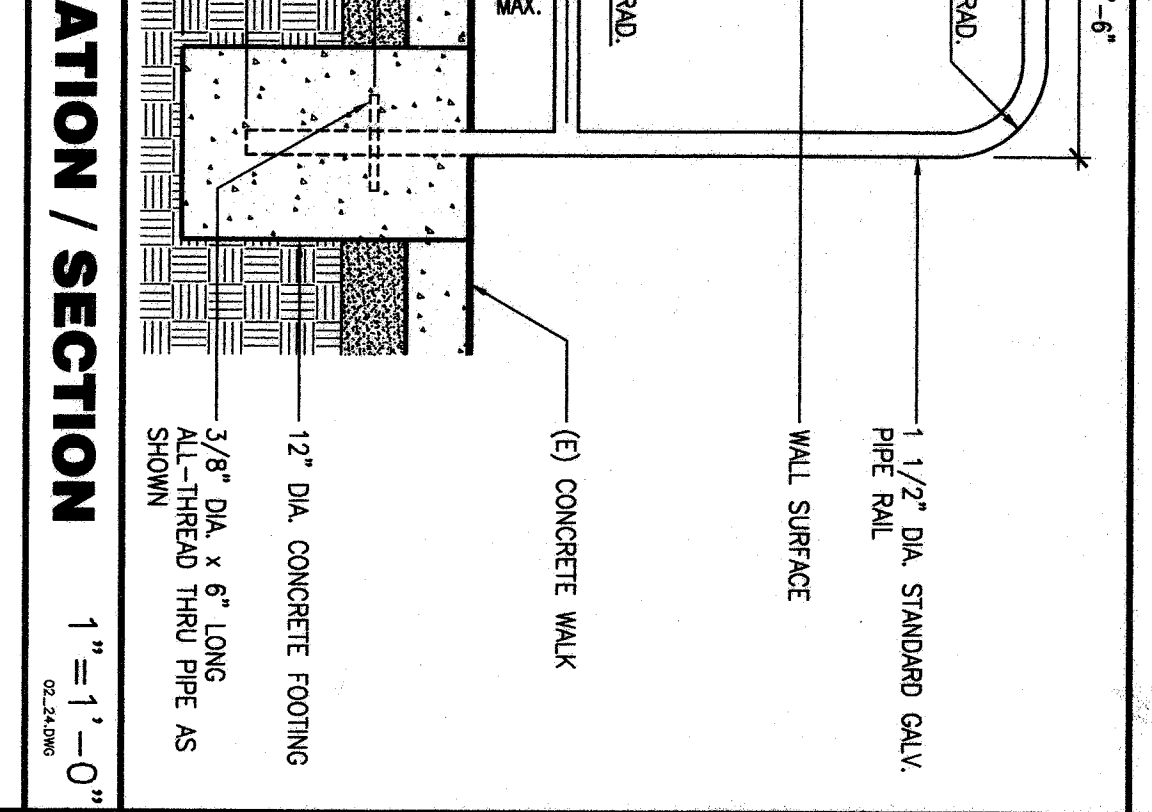
19 SECTION

3" = 1'-0"



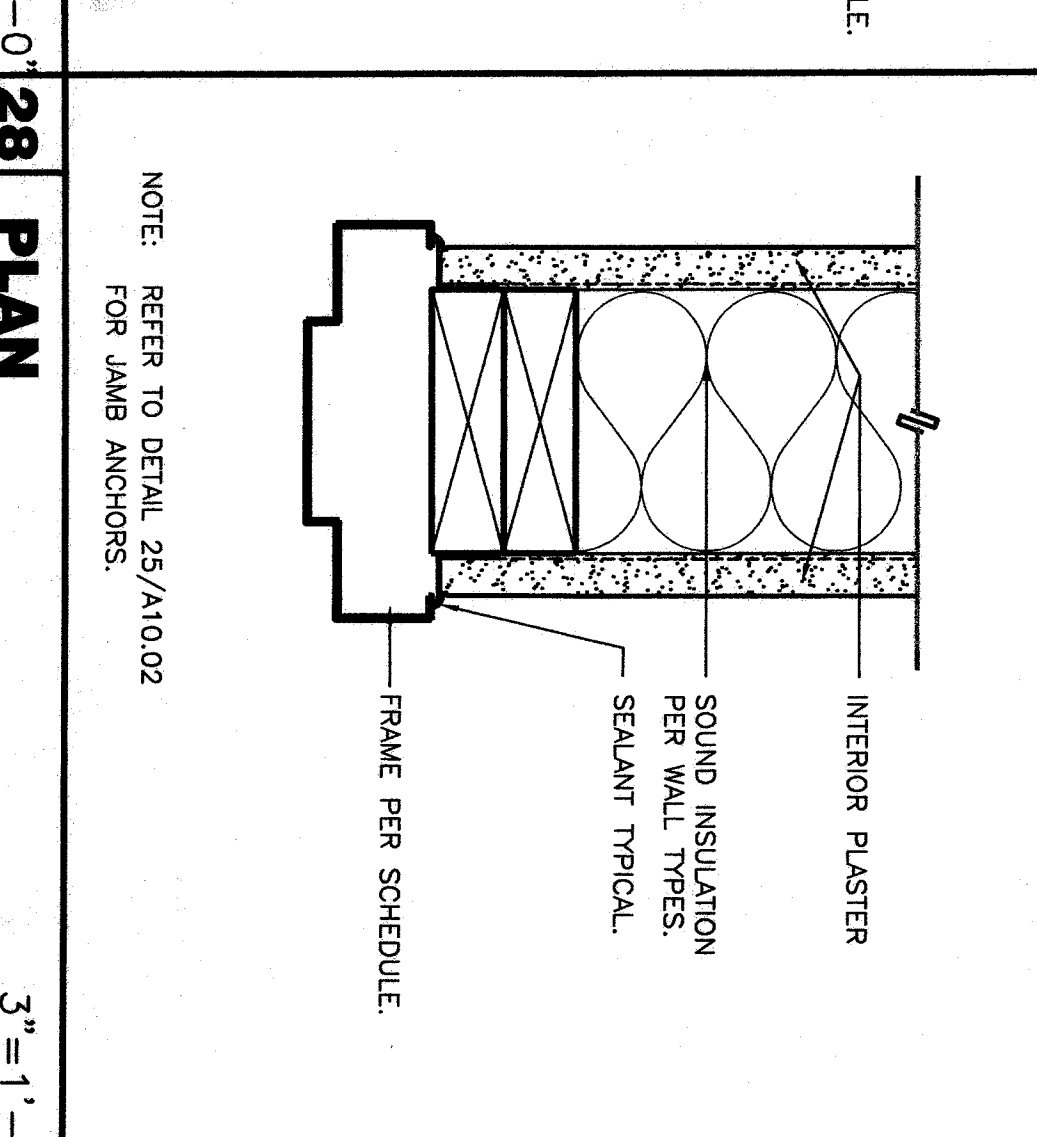
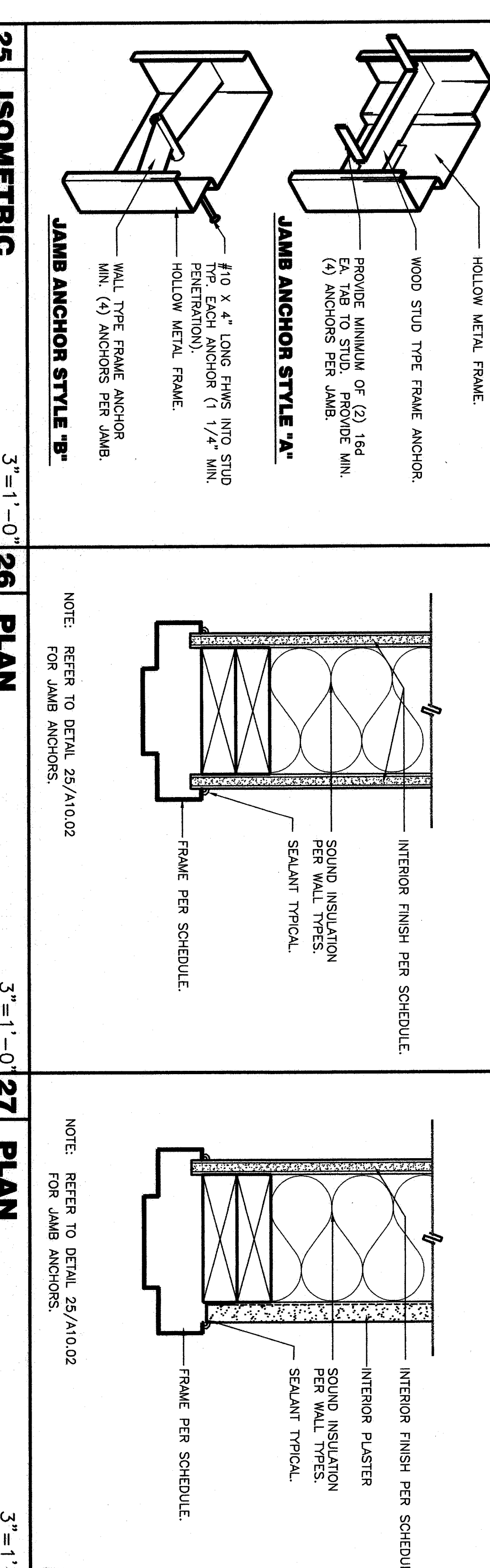
20 SECTION

3" = 1'-0"



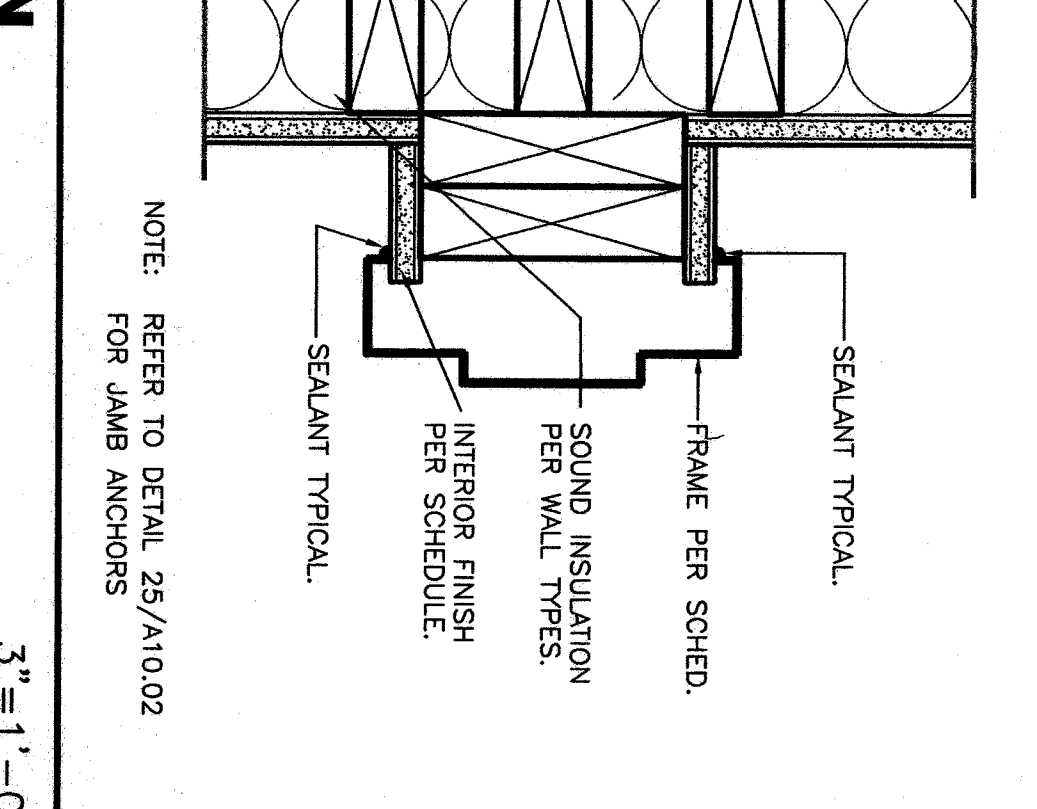
21 ISOMETRIC

3" = 1'-0"



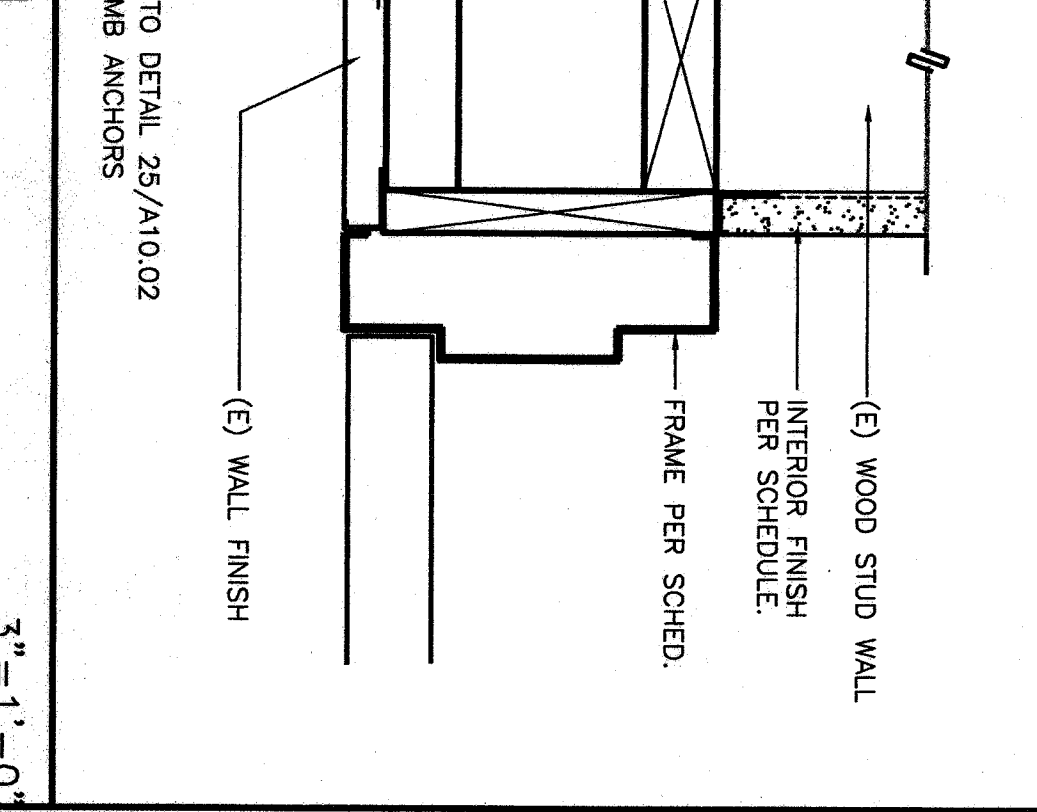
25 ISOMETRIC

3" = 1'-0"



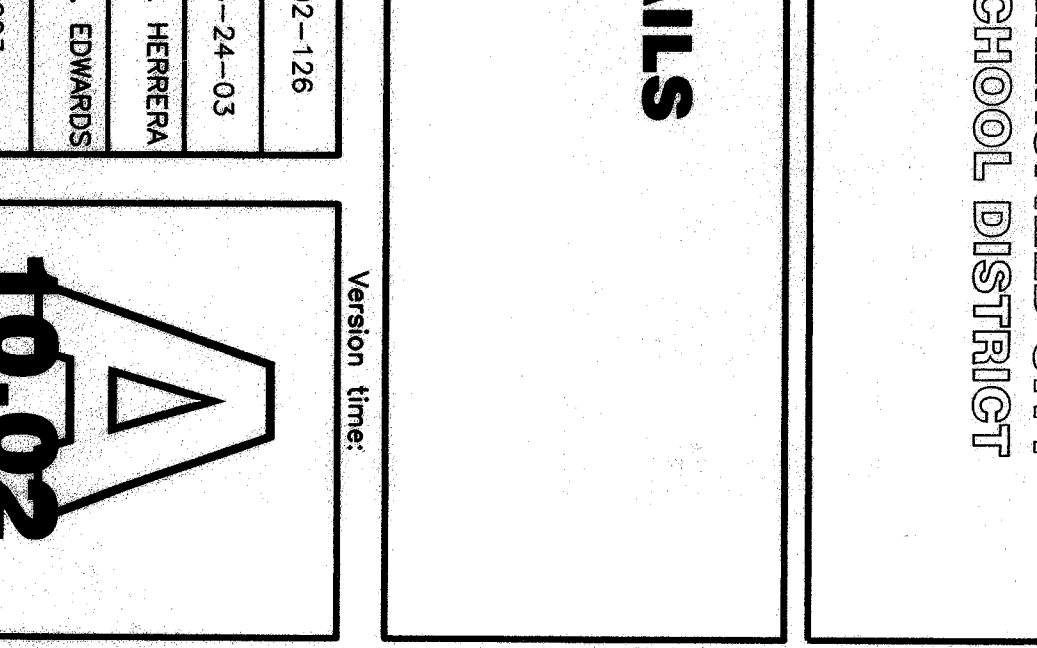
26 PLAN

3" = 1'-0"



27 PLAN

3" = 1'-0"



28 PLAN

3" = 1'-0"

29 PLAN

3" = 1'-0"

30 PLAN

3" = 1'-0"

31 PLAN

3" = 1'-0"

32 PLAN

3" = 1'-0"

33 PLAN

3" = 1'-0"

34 PLAN

3" = 1'-0"

35 PLAN

3" = 1'-0"

36 PLAN

3" = 1'-0"

37 PLAN

3" = 1'-0"

38 PLAN

3" = 1'-0"

39 PLAN

3" = 1'-0"

40 PLAN

3" = 1'-0"

41 PLAN

3" = 1'-0"

42 PLAN

3" = 1'-0"

43 PLAN

3" = 1'-0"

44 PLAN

3" = 1'-0"

45 PLAN

3" = 1'-0"

46 PLAN

3" = 1'-0"

47 PLAN

3" = 1'-0"

48 PLAN

3" = 1'-0"

49 PLAN

3" = 1'-0"

50 PLAN

3" = 1'-0"

51 PLAN

3" = 1'-0"

52 PLAN

3" = 1'-0"

53 PLAN

3" = 1'-0"

54 PLAN

3" = 1'-0"

55 PLAN

3" = 1'-0"

56 PLAN

3" = 1'-0"

57 PLAN

3" = 1'-0"

58 PLAN

3" = 1'-0"

59 PLAN

3" = 1'-0"

60 PLAN

3" = 1'-0"

61 PLAN

3" = 1'-0"

62 PLAN

3" = 1'-0"

63 PLAN

3" = 1'-0"

64 PLAN

3" = 1'-0"

65 PLAN

3" = 1'-0"

66 PLAN

3" = 1'-0"

67 PLAN

3" = 1'-0"

68 PLAN

3" = 1'-0"

69 PLAN

3" = 1'-0"

70 PLAN

3" = 1'-0"

71 PLAN

3" = 1'-0"

72 PLAN

3" = 1'-0"

73 PLAN

3" = 1'-0"

74 PLAN

3" = 1'-0"

75 PLAN

3" = 1'-0"

76 PLAN

3" = 1'-0"

77 PLAN

3" = 1'-0"

78 PLAN

3" = 1'-0"

79 PLAN

3" = 1'-0"