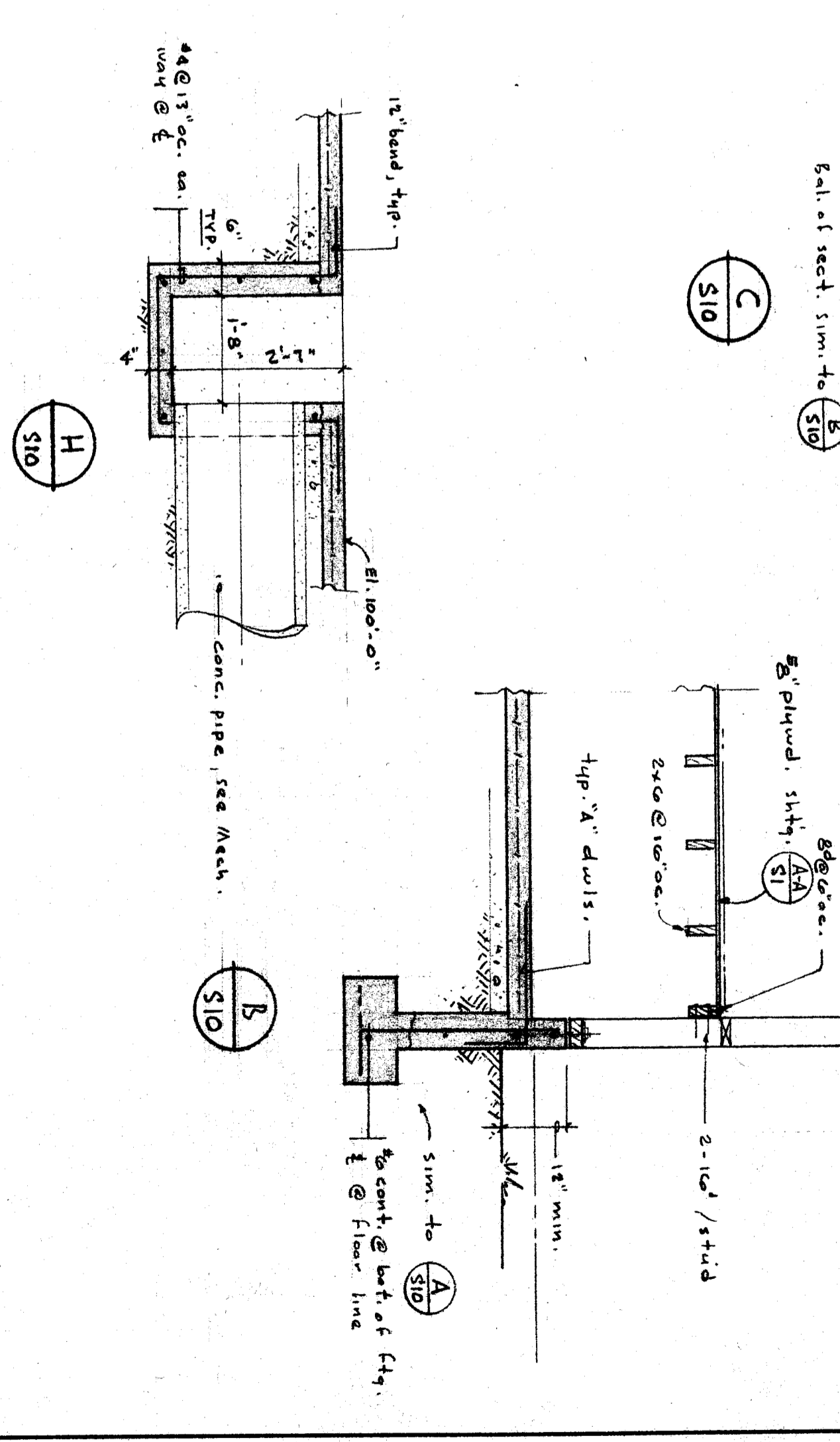
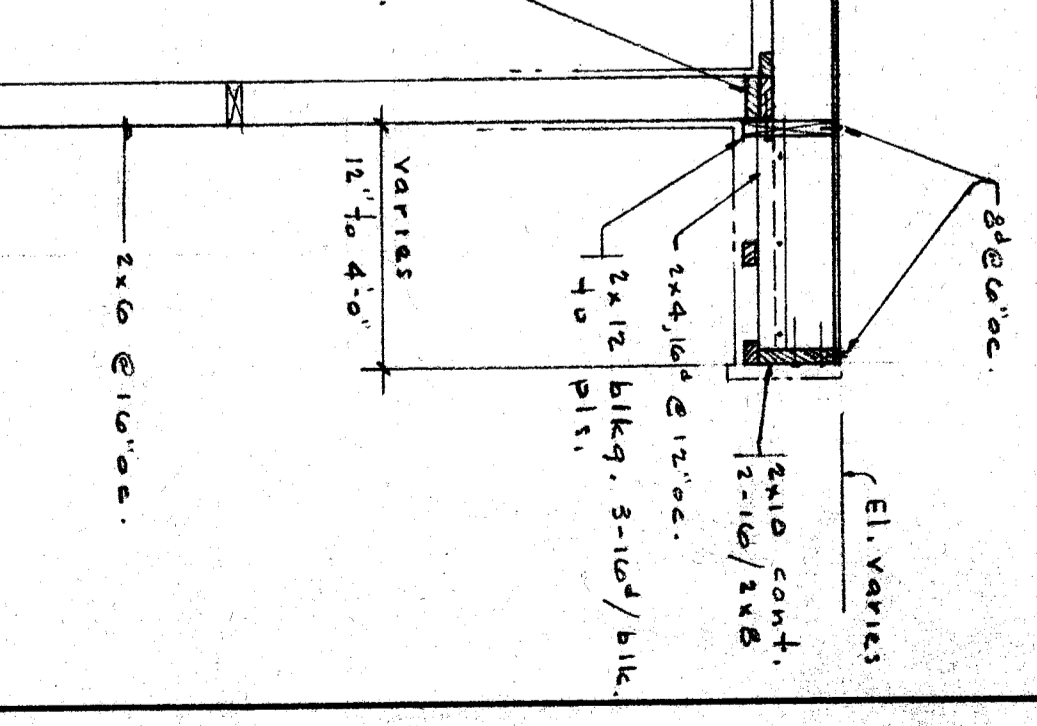
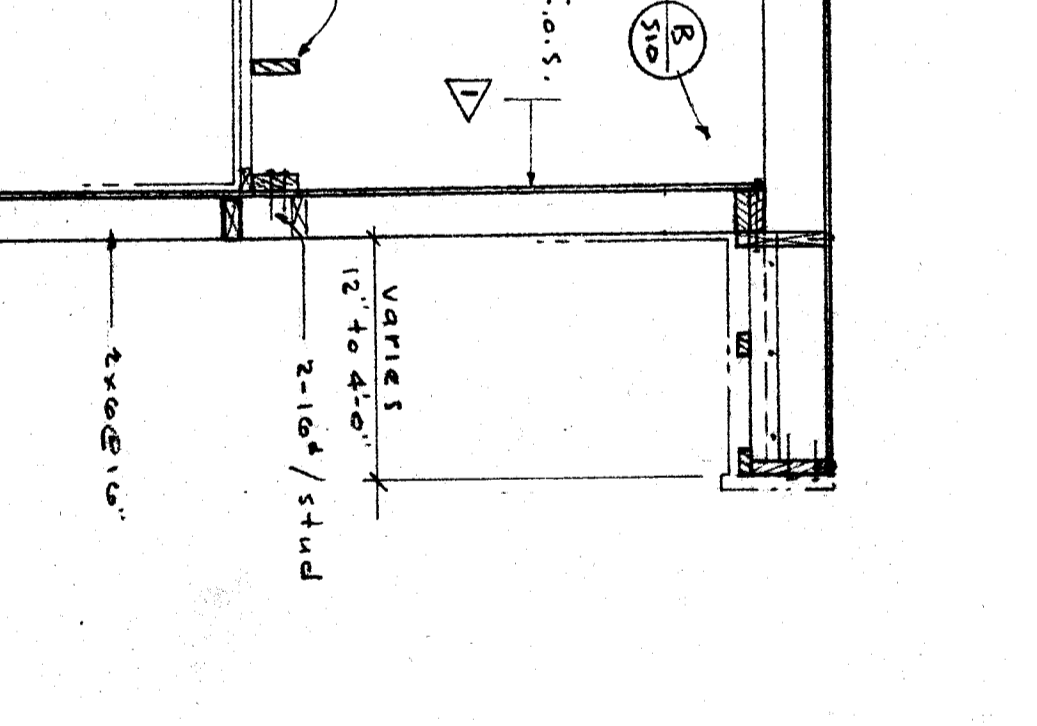
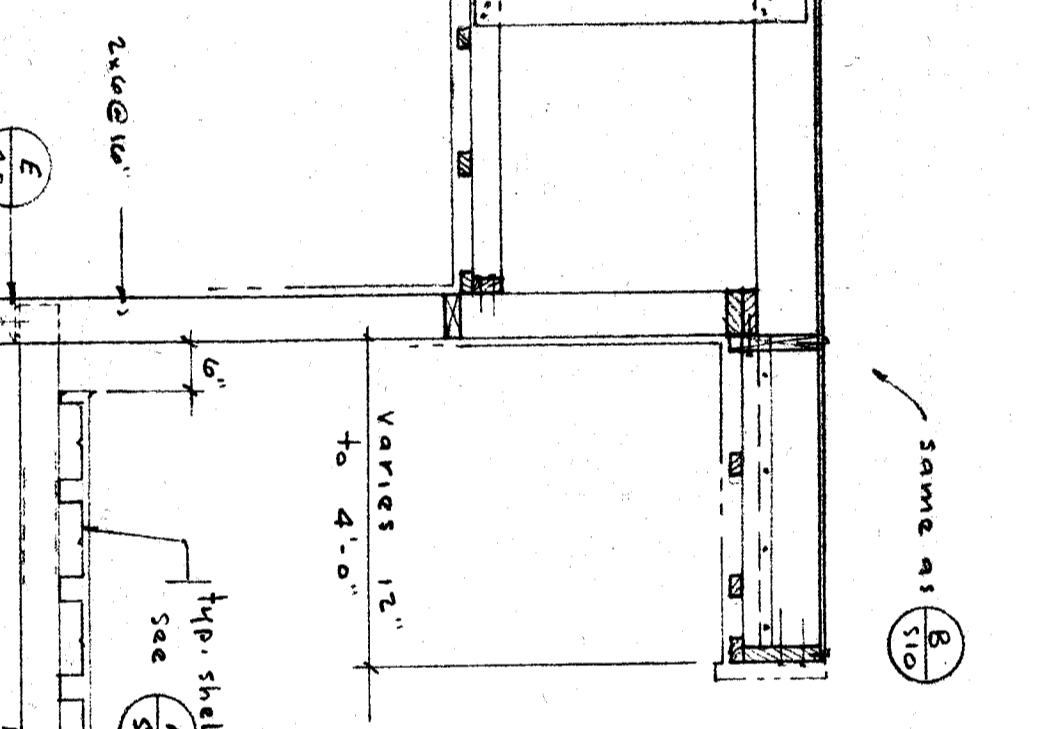
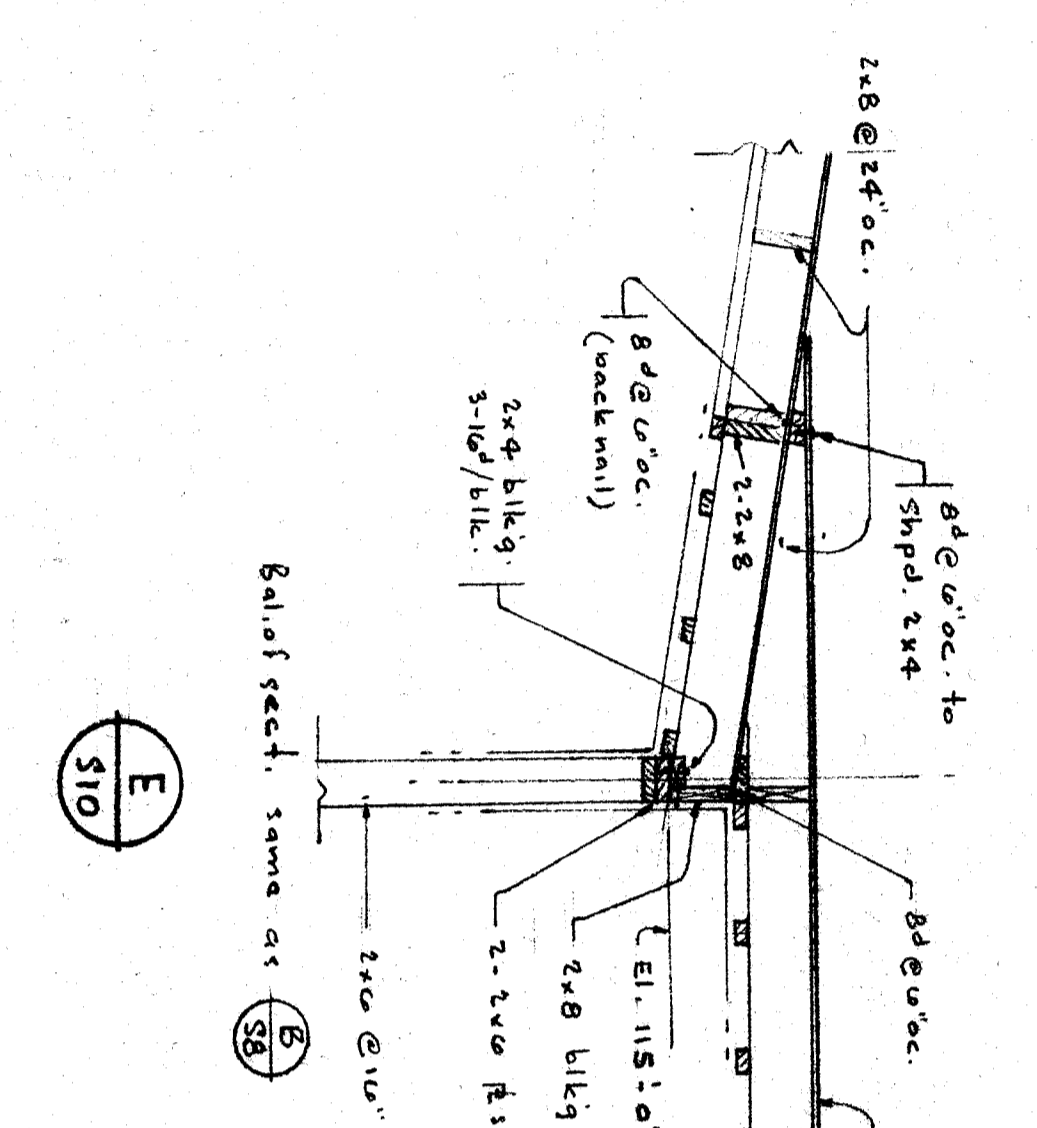
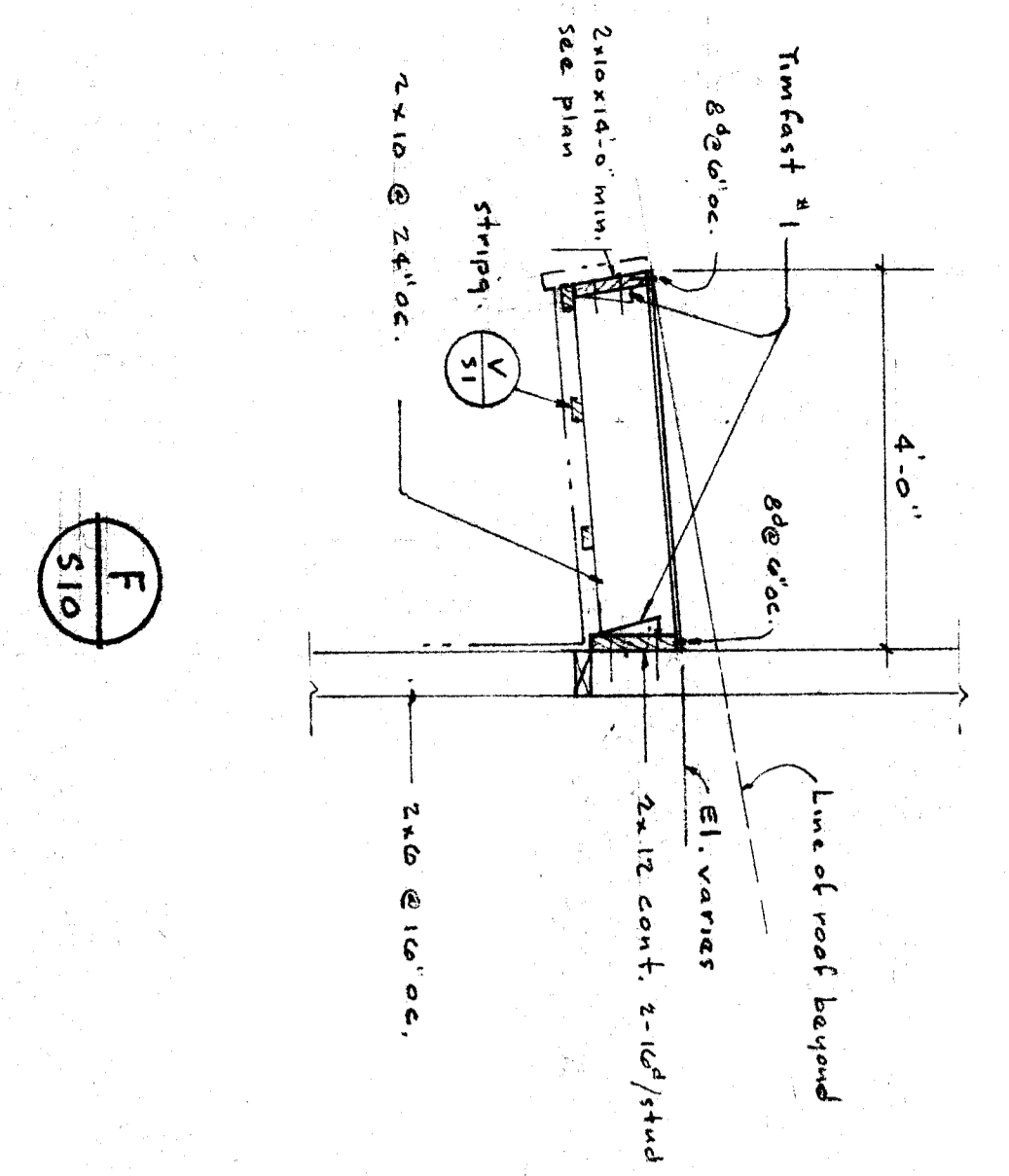


TYPICAL CROSS SECTION - INSTRUMENTAL WIND WALL



Unless otherwise noted, scale 1/4" = 1'-0"

SHEET NO. 404 SHEET NO. 5-10	JOB NO. NEW JUNIOR HIGH SCHOOL WOOD LAKE & BELL ROAD BACSFIELD CITY SCHOOL DISTRICT BACSFIELD CALIFORNIA	DATE: 01-28-1956 CHECKED BY: K. Miller DRAWN BY: K. Miller	DATE: 01-28-1956 CHECKED BY: K. Miller DRAWN BY: K. Miller	ARCHITECTS: W. Hillman & Novell STRUCTURAL ENGINEERS 846 WEST 28th ST. LOS ANGELES 17	ENGINEER: Hillman & Novell STRUCTURAL ENGINEERS 846 WEST 28th ST. LOS ANGELES 17
---------------------------------	--	--	--	---	--