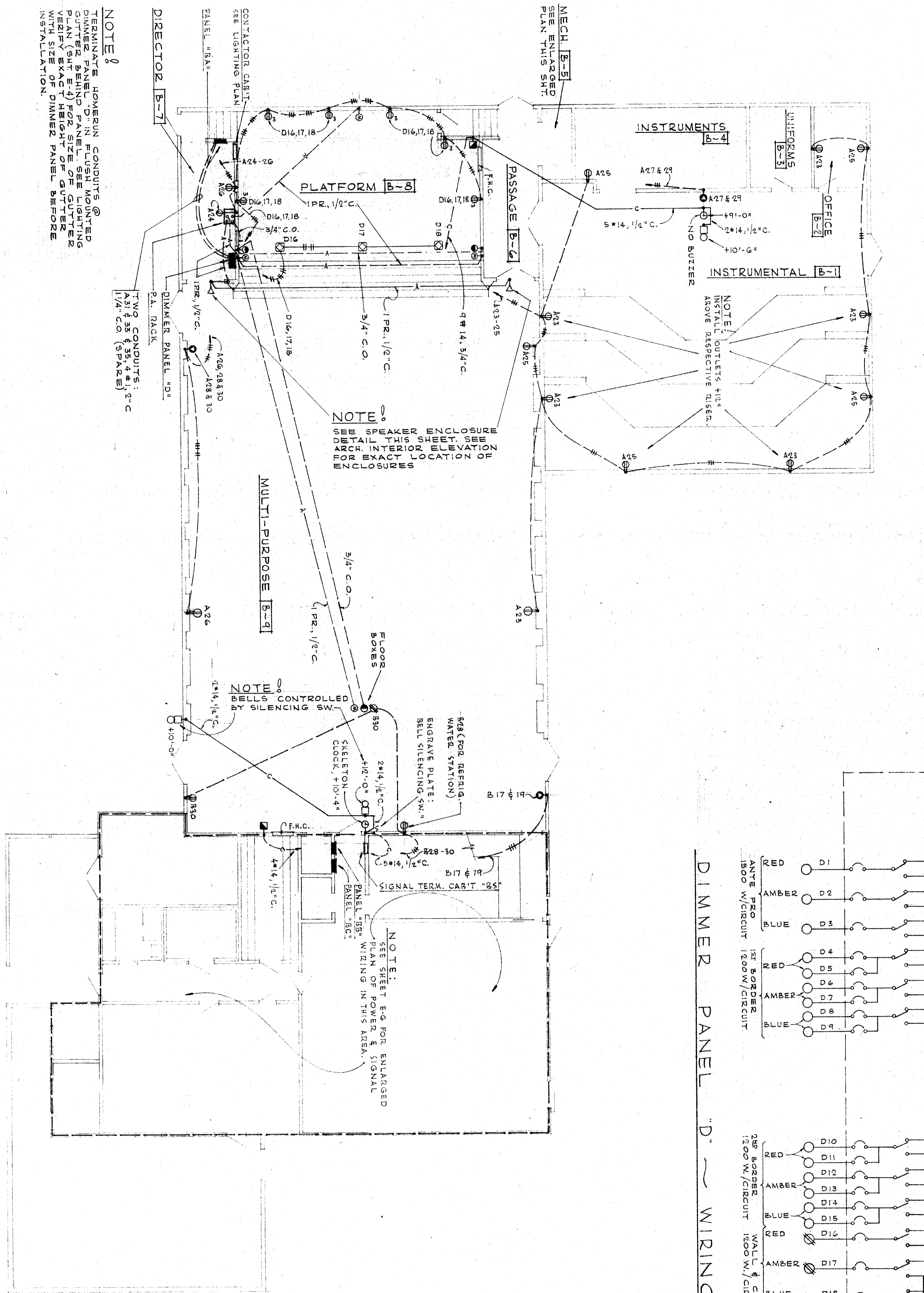
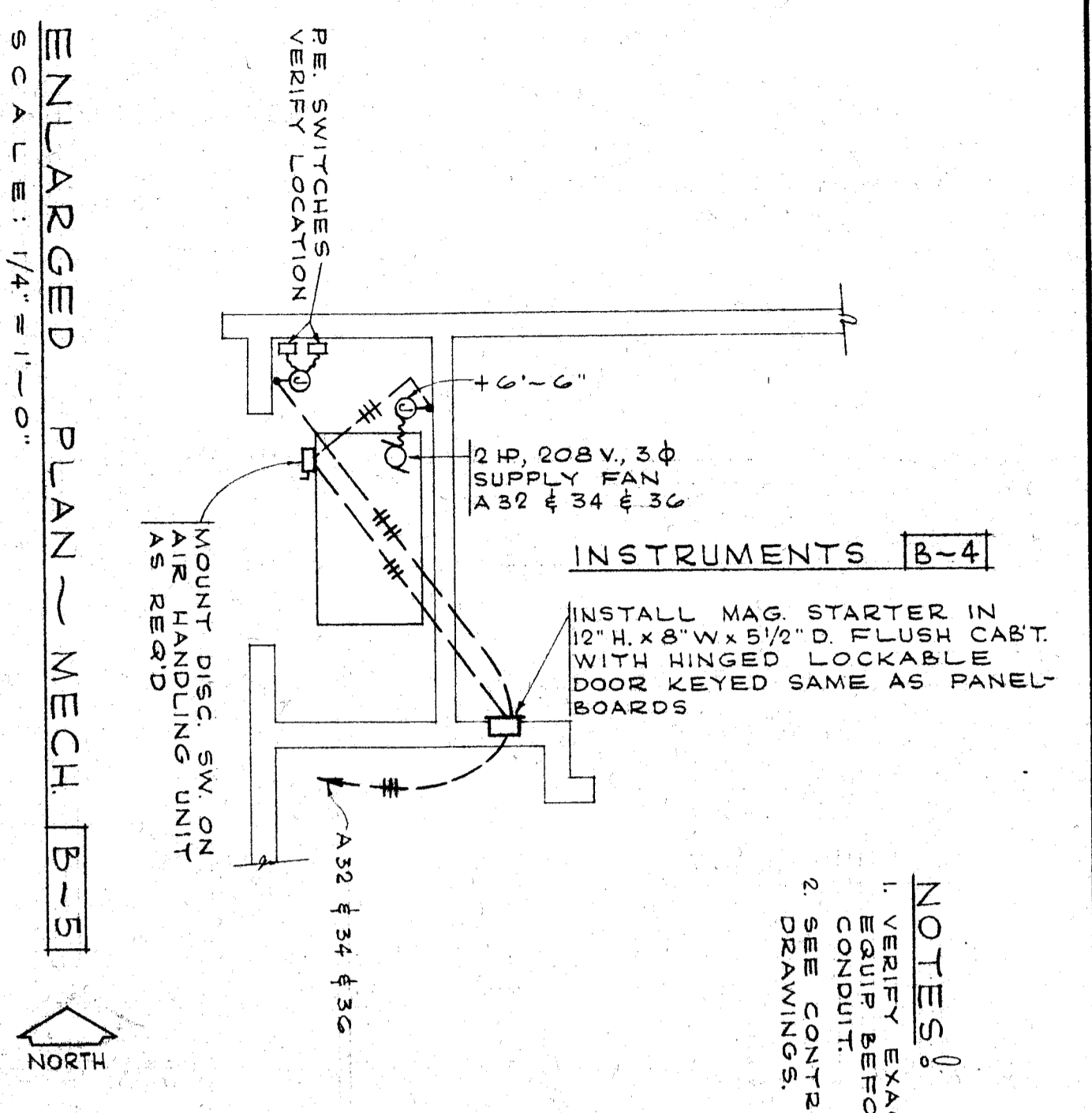


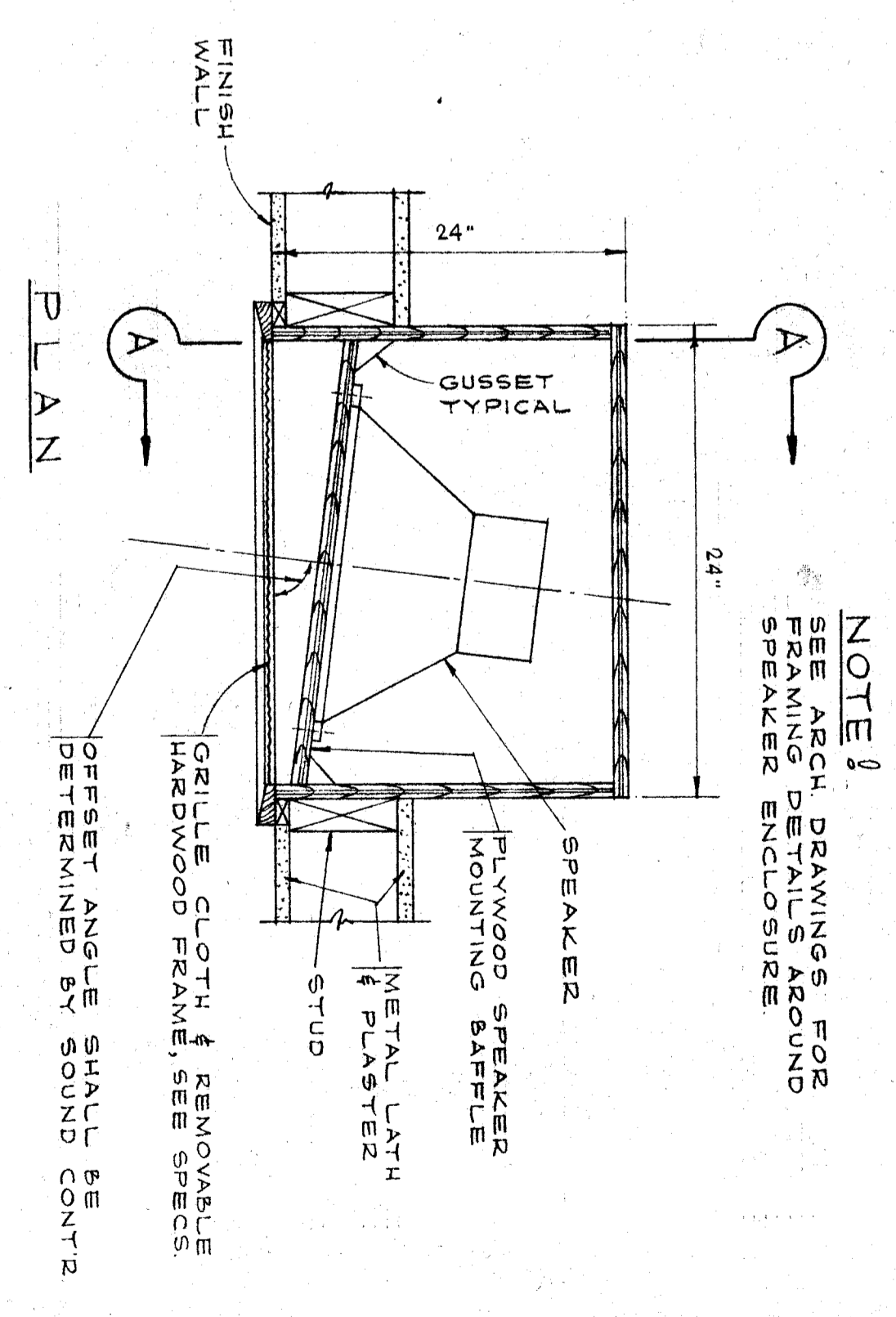
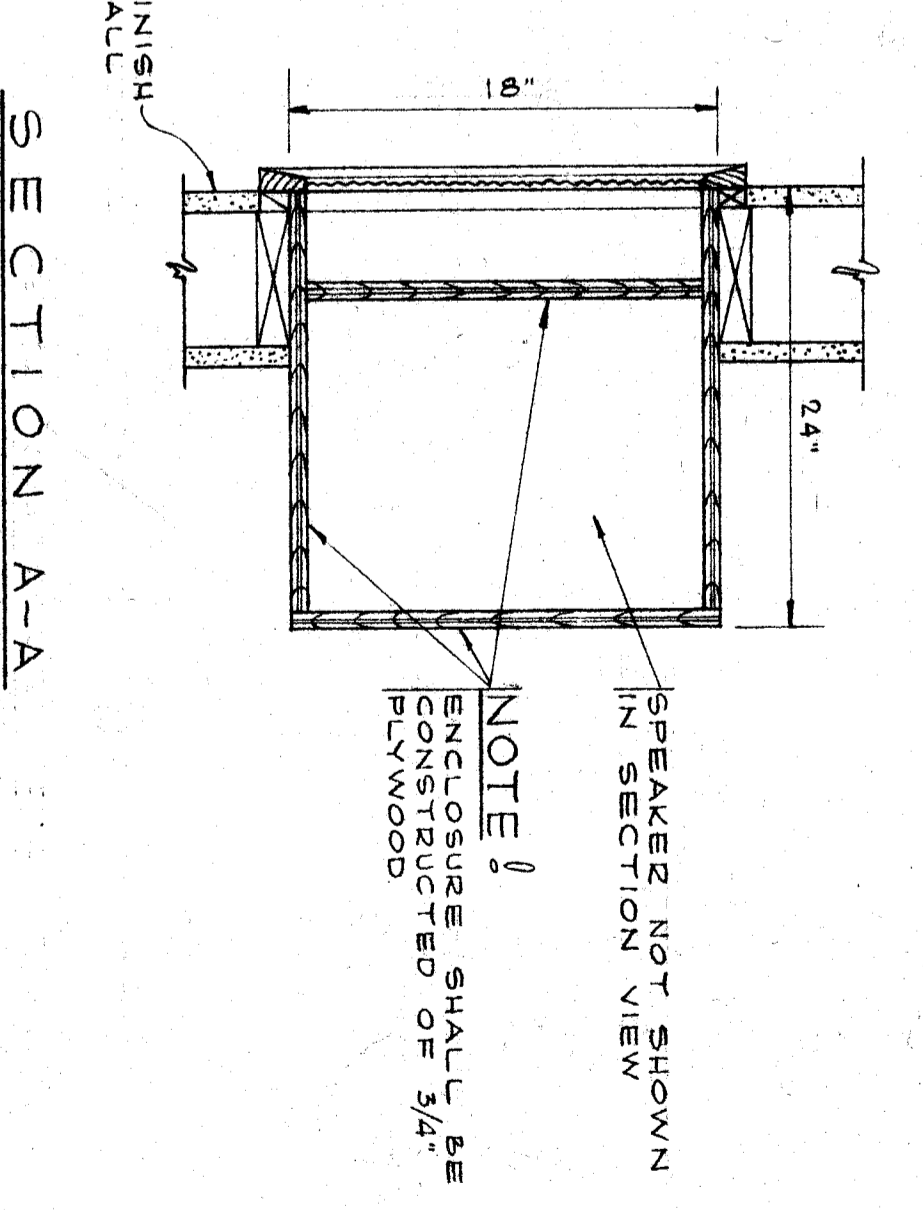
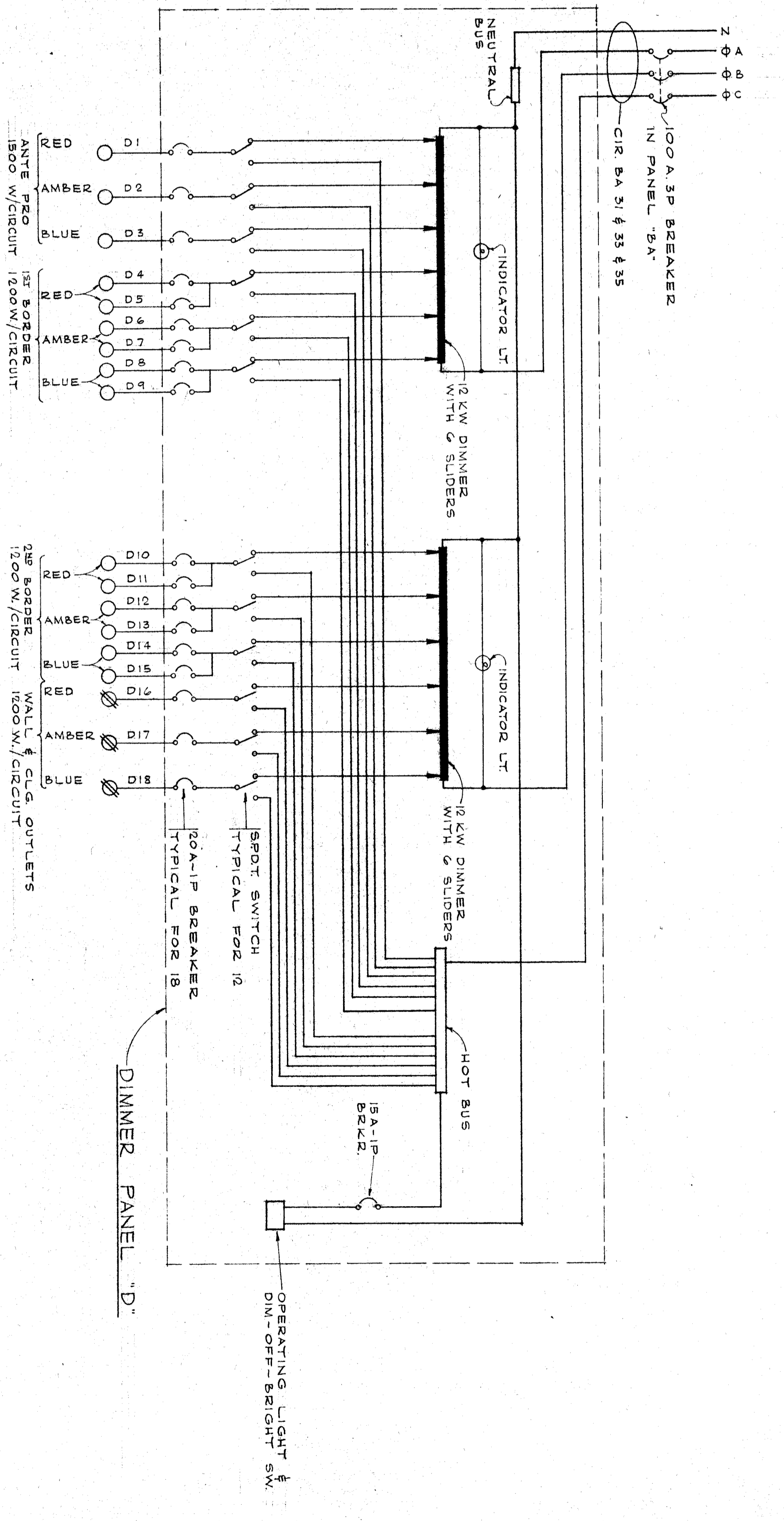
NOTES!
 1. VERIFY EXACT LOCATION OF ALL MECH. EQUIP. BEFORE INSTALLATION OF ANY DRAWINGS.
 2. SEE CONTROL DIAGRAMS ON MECH. DRAWINGS.



NOTE!
 TERMINATE HOMERUN CONDUITS @ OTHER OWNER'S PANEL. DO NOT FLUSH MOUNTING PLAN (SHIT E) FOR SIZE OF CUTTER. VERIFY EXACT HEIGHT OF PANEL BEFORE INSTALLATION.

NOTE!
 SEE SHEET E-5 FOR ENLARGED PLAN OF POWER & SIGNAL PANEL 'B'. SEE WIRING IN THIS AREA.

DIMMER PANEL 'D' WIRING DIAGRAM



MULTI-PURPOSE UNIT 'B' POWER & SIGNAL PLAN



ELECTRICAL ENGINEER Wright Metcalf & Parsons REGISTRATION 34	DISTRICT BOARD OF EDUCATION BAKERSFIELD CITY SCHOOL DISTRICT BOARD OF EDUCATION APPROVED:	DRAWN BY: R.S. VHA CHECKED BY: R.P.R. DATE: 11/28/58	MULTI-PURPOSE UNIT 'B' POWER & SIGNAL PLAN NEW JUNIOR HIGH SCHOOL WOOD LANE & REAL ROAD BAKERSFIELD CITY SCHOOL DISTRICT BAKERSFIELD, CALIFORNIA	SHEET NO. E-5