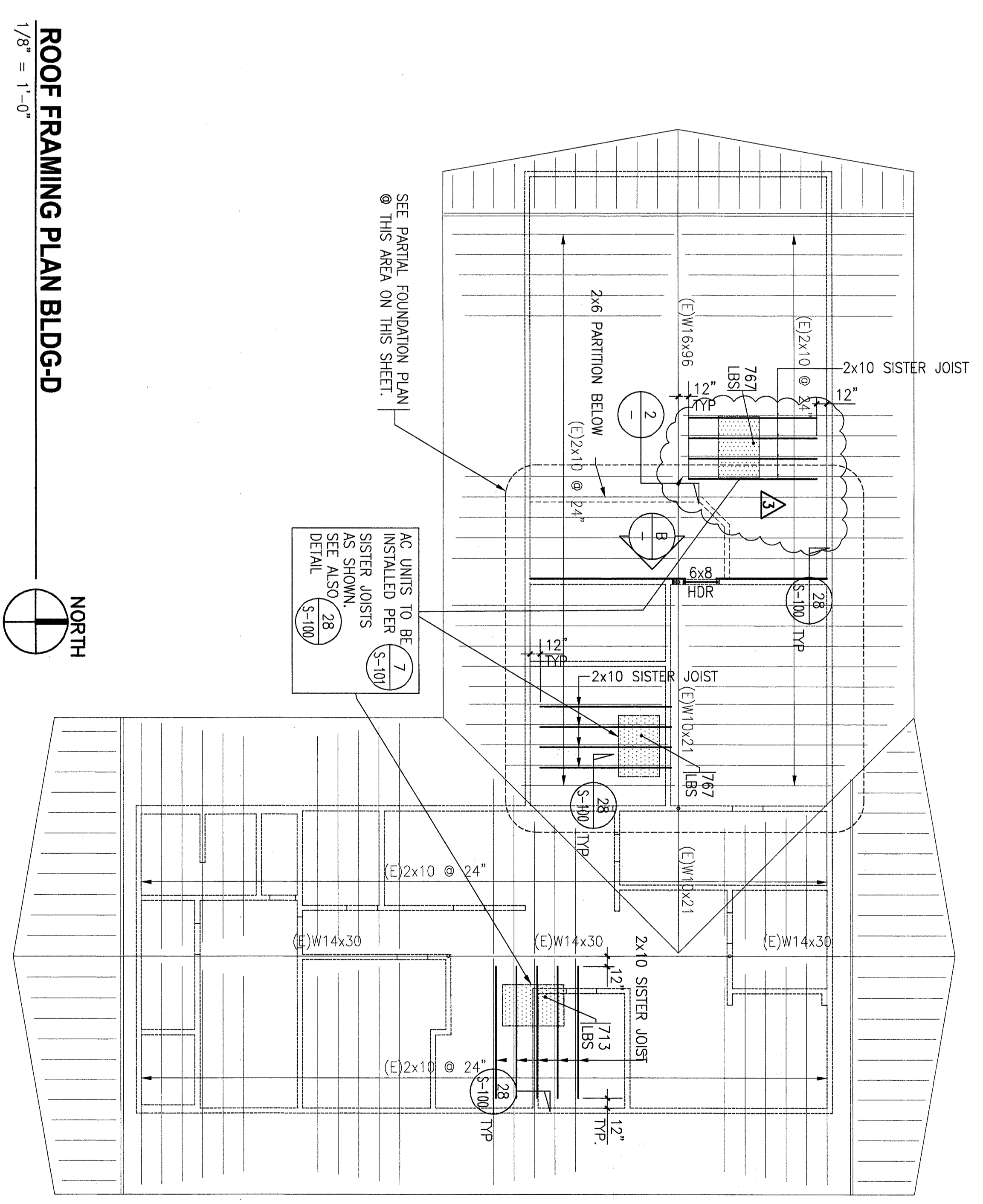


PARTIAL FOUNDATION PLAN BLDG-D
1/4" = 1'-0"
NORTH



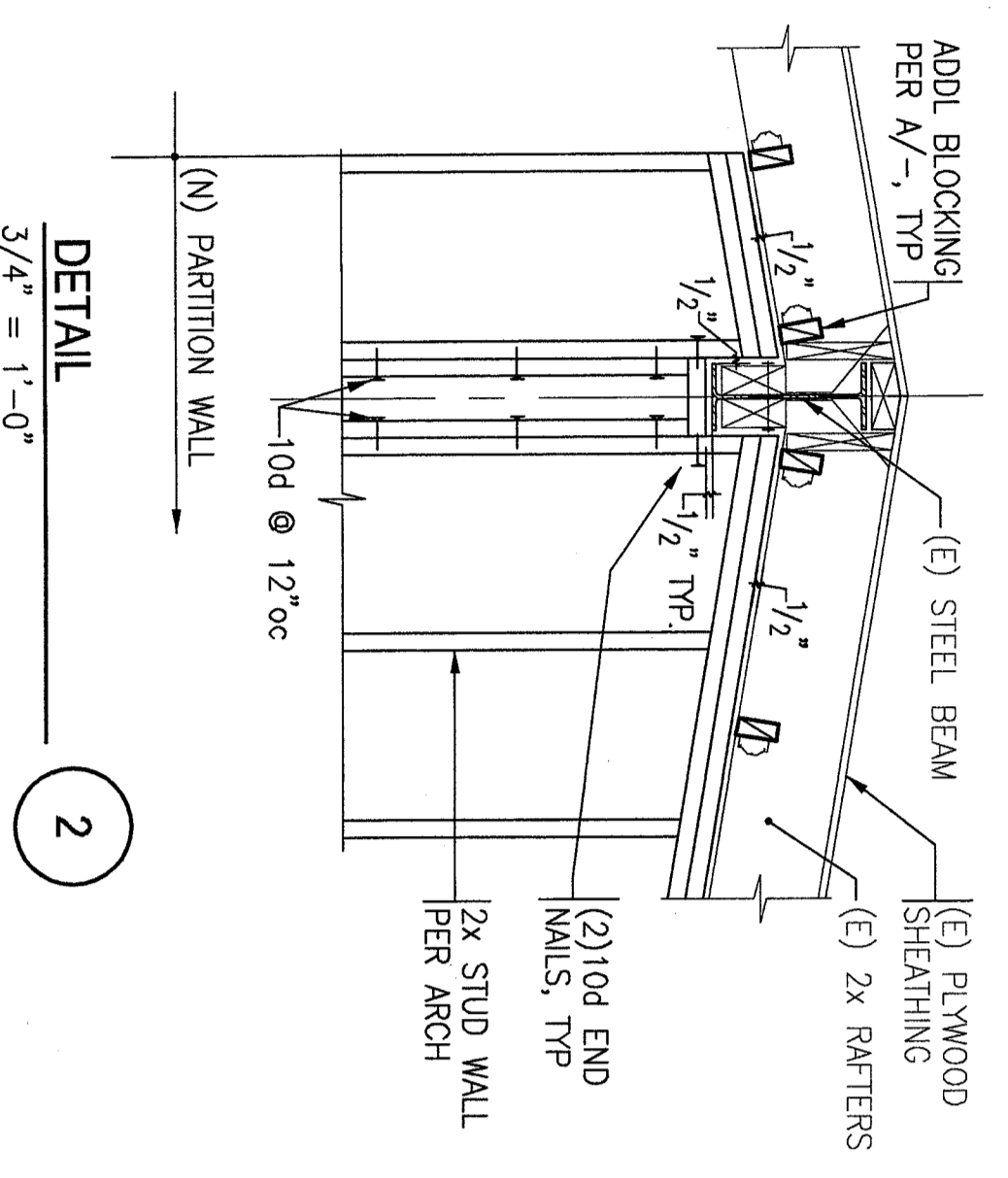
ROOF FRAMING PLAN BLDG-D
1/8" = 1'-0"
NORTH

PLYWOOD SHEAR PANEL SCHEDULE

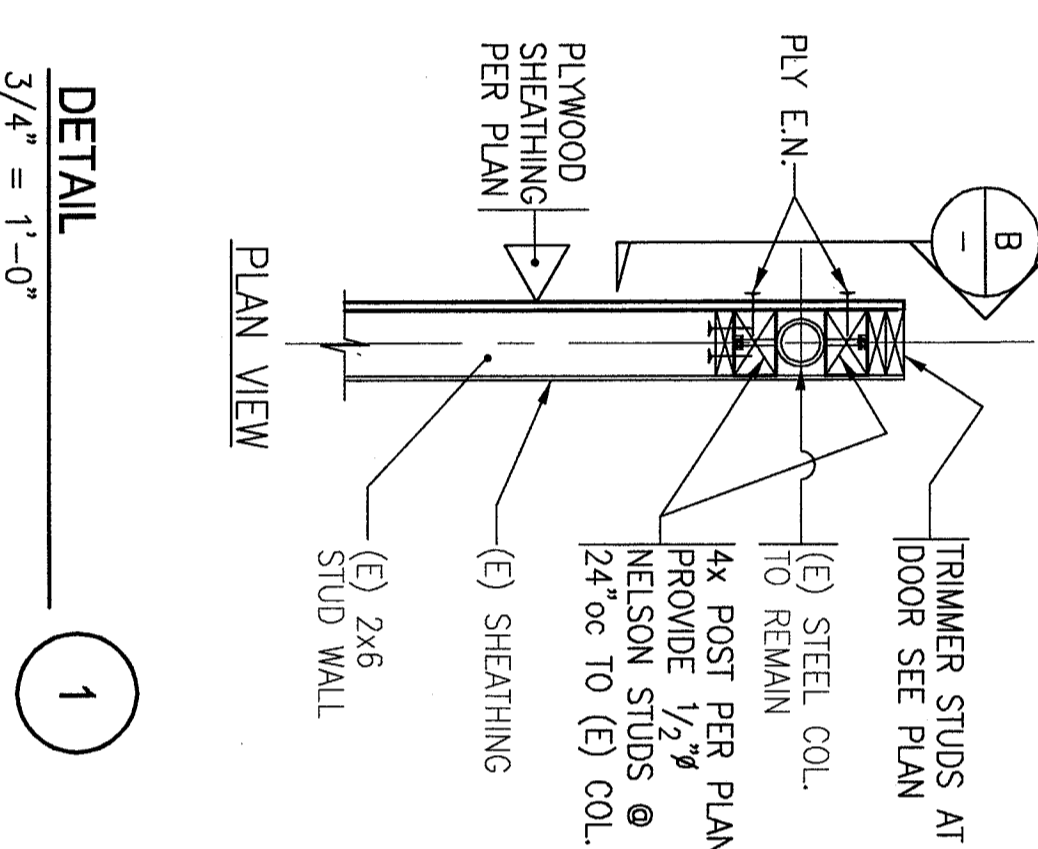
MARK	NAILING	FIELD	ANCHOR BOLTS	REMARKS	ALLOW. SHEAR
△	10d @ 6"	10d @ 12"	3/8" @ 48" o.c.	SEE NOTE 1 THRU 4	V=340 PLF

- NOTES:**
1. FOR SHEAR PANEL DETAILS, REFER TO 18/S-100
 2. SHEAR ENTIRE WALL TO AVOID LET-IN CONDITION. NAILING FOR ENTIRE WALL SHALL MATCH SHEAR PANEL NAILING.
 3. INSTALL NEW ANCHOR BOLTS IN EPOXY WITHIN A SHEAR PANEL AT SPACING SHOWN IN SCHEDULE PER DETAIL 18/S-100
 4. UNLESS NOTED, ALL SHEAR PANELS SHALL BE 1/2" STRUCTURAL-I EXT. PLYWOOD SHEATHING NAILED DIRECTLY TO STUDS.

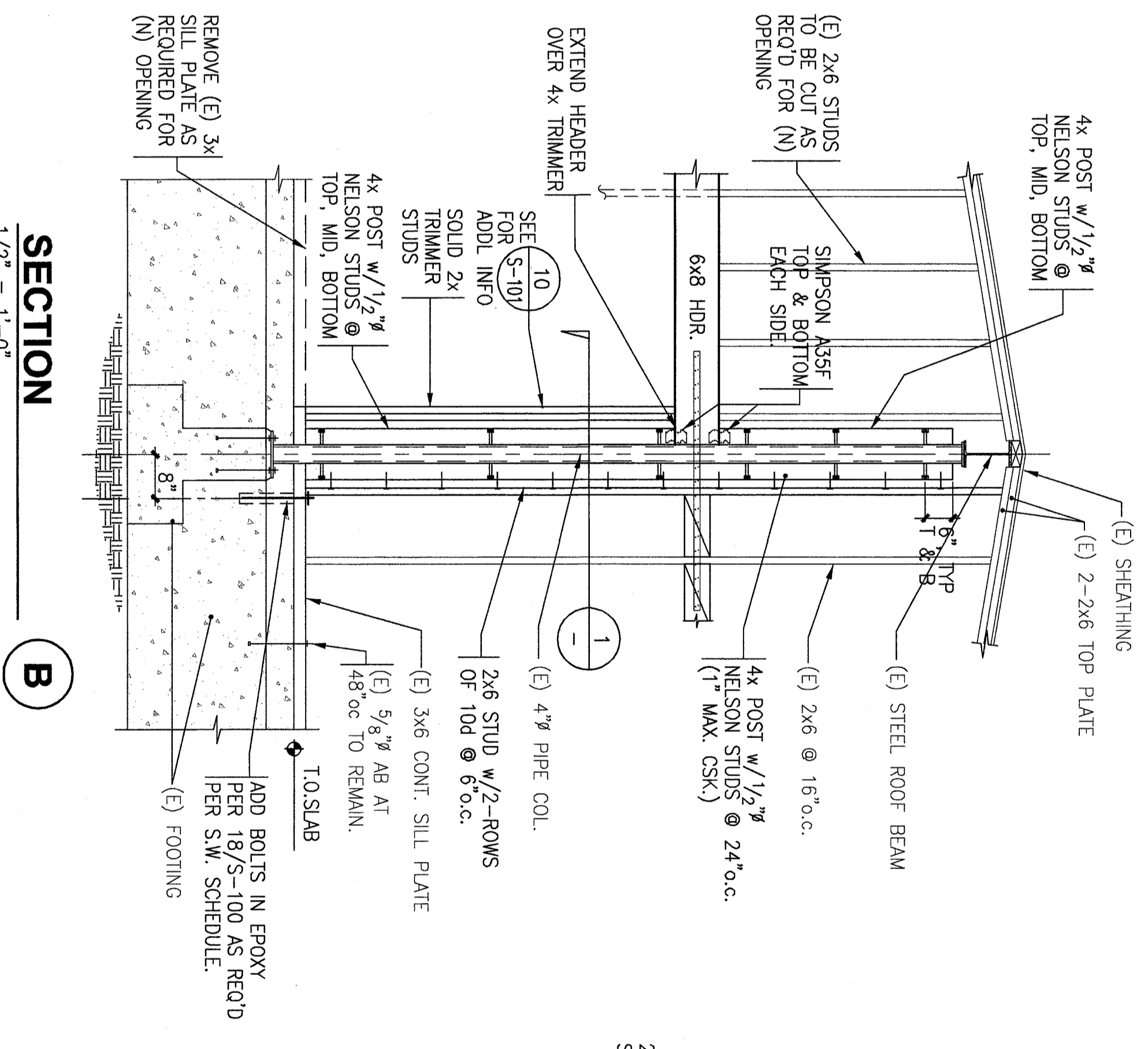
- NOTES:**
1. REFER TO GENERAL NOTES AND TYPICAL DETAILS ON SHEETS S-100 & S-101.
 2. VERIFY ALL EXISTING (E) CONDITIONS. NOTIFY ARCHITECTURAL AND STRUCTURAL ENGINEER IMMEDIATELY IF ANY DISCREPANCIES ARE FOUND THAT ARE IN CONFLICT WITH THE WORK DEPICTED, PRIOR TO COMMENCING WORK.



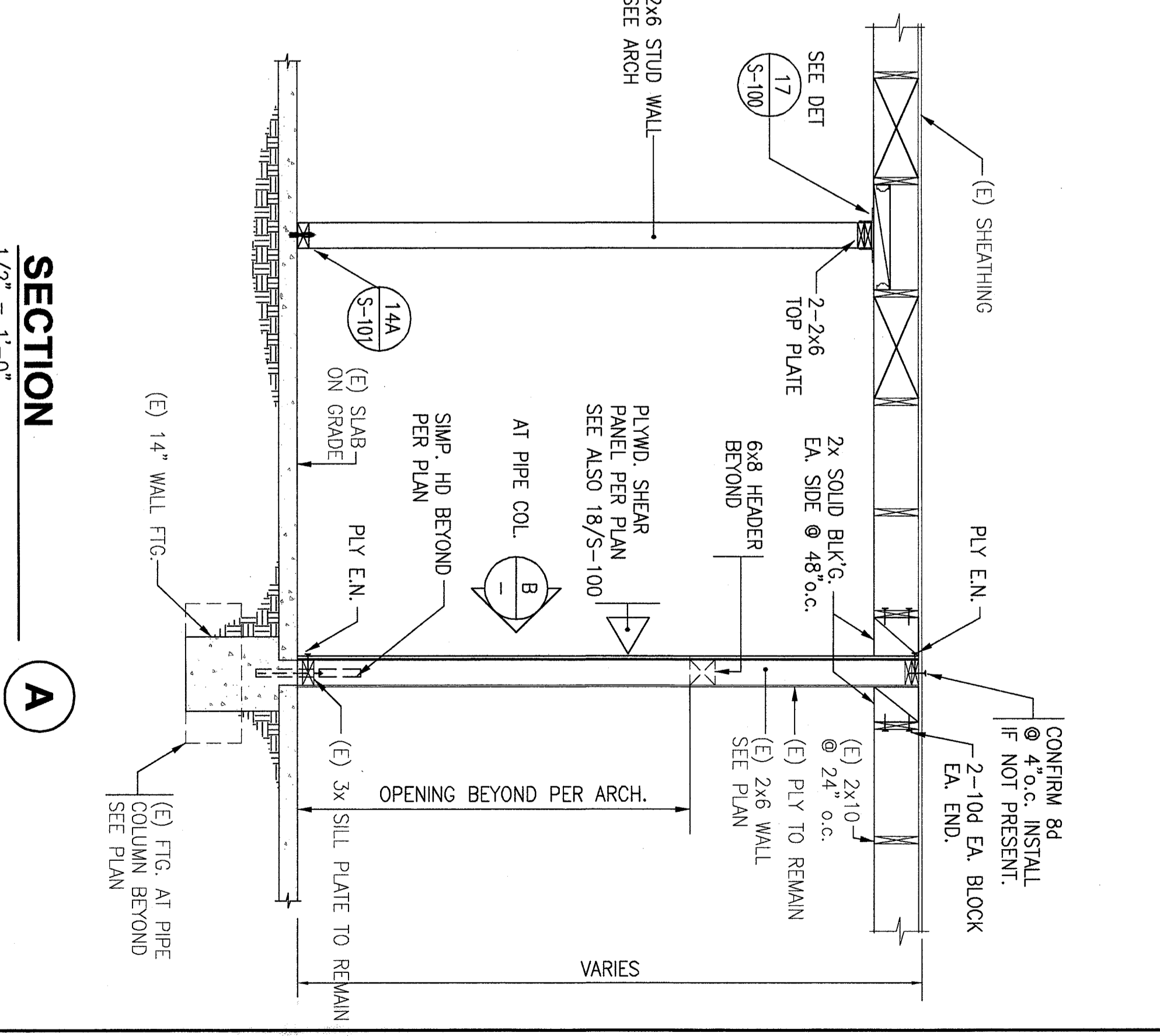
DETAIL 2
3/4" = 1'-0"



DETAIL 1
3/4" = 1'-0"

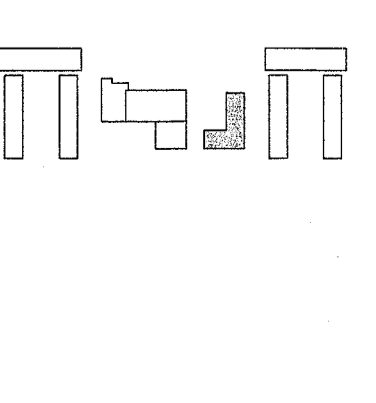


SECTION B
1/2" = 1'-0"



SECTION A
1/2" = 1'-0"

Item No. 2: Refer to Sheet S-200
4/17/23 Reverse roof framing on Building "D" as shown on Sheet AS-200 in order to reflect correct orientation of HVAC unit.



BUILDING KEY PLAN

MARK	DATE	DESCRIPTION
SD		
CD		
△	10/29/07	ADDENDUM #3
▽		
□		

2002460
CADD DRAWING FILE
2572D-PLAN
PROJECT NUMBER
DATE PLOTTED
S.S.F.
CHECK AND VERIFY ALL DIMENSIONS BEFORE REPORTING DIMENSIONS TO THE ARCHITECT. THE DIMENSIONS SHOWN ARE THE PROPERTY OF THE ARCHITECT.
ORDIZ MELBY ARCHITECTS, INC. 2023

**PARTIAL FOUNDATION PLAN
ROOF FRAMING PLAN
DETAILS & SECTIONS
BLDG-D**
SHEET IDENTIFICATION NUMBER
AS-200
SHEET OF

ORDIZ MELBY ARCHITECTS, INC.
5500 KING AVENUE SUITE 280
BAKERSFIELD, CALIFORNIA 93309
TELEPHONE (661) 832-5258
FACSIMILE (661) 832-4291

MARTIN & ASSOCIATES
CONSULTING ENGINEERS
DANNY E. ORTIZ, AIA
ARCHITECT 674.4728
WILLIAM J. MELBY, AIA
ARCHITECT 678.8385

REGISTERED PROFESSIONAL ENGINEER
DIVISION OF STATE ARCHITECT
OFFICE OF REGULATION SERVICES
APP# 03-107003
FILE # 15-6
AC FLS SS
DATE

MODERNIZATION AT
CURRAN MIDDLE
SCHOOL
FOR:
BAKERSFIELD CITY SCHOOL DISTRICT
1116 LYRIC WAY
BAKERSFIELD
CALIFORNIA
93309