

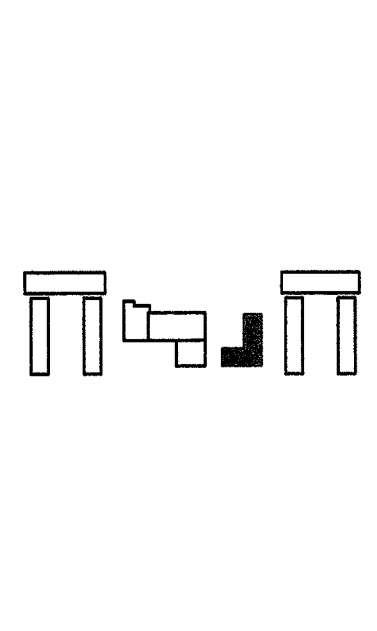
DANNY E. ORTIZ, AIA  
 ARCHITECT C-14,728  
 WILLIAM L. MELBY, AIA  
 ARCHITECT C-6,835  
 CONSULTANT

**MDDC**  
 MECHANICAL DESIGN CONCEPTS  
 428 THURSTON AVENUE  
 BAKERSFIELD, CA. 93301  
 TEL #: (661) 326-1313  
 FAX #: (661) 326-1359  
 WWW.MDDC.COM

IDENTIFICATION STAMP  
 DIVISION OF THE STATE ARCHITECT  
 OFFICE OF REGULATION SERVICES  
 APRIL # 03-107003  
 FILE # 15-6  
 AC \_\_\_\_\_ RS \_\_\_\_\_ SS \_\_\_\_\_  
 DATE \_\_\_\_\_

MODERNIZATION FOR  
 CURRAN JUNIOR  
 HIGH SCHOOL  
 FOR:  
**BAKERSFIELD  
 CITY SCHOOL  
 DISTRICT**

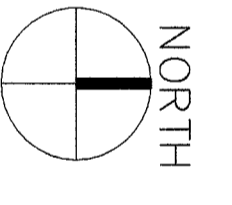
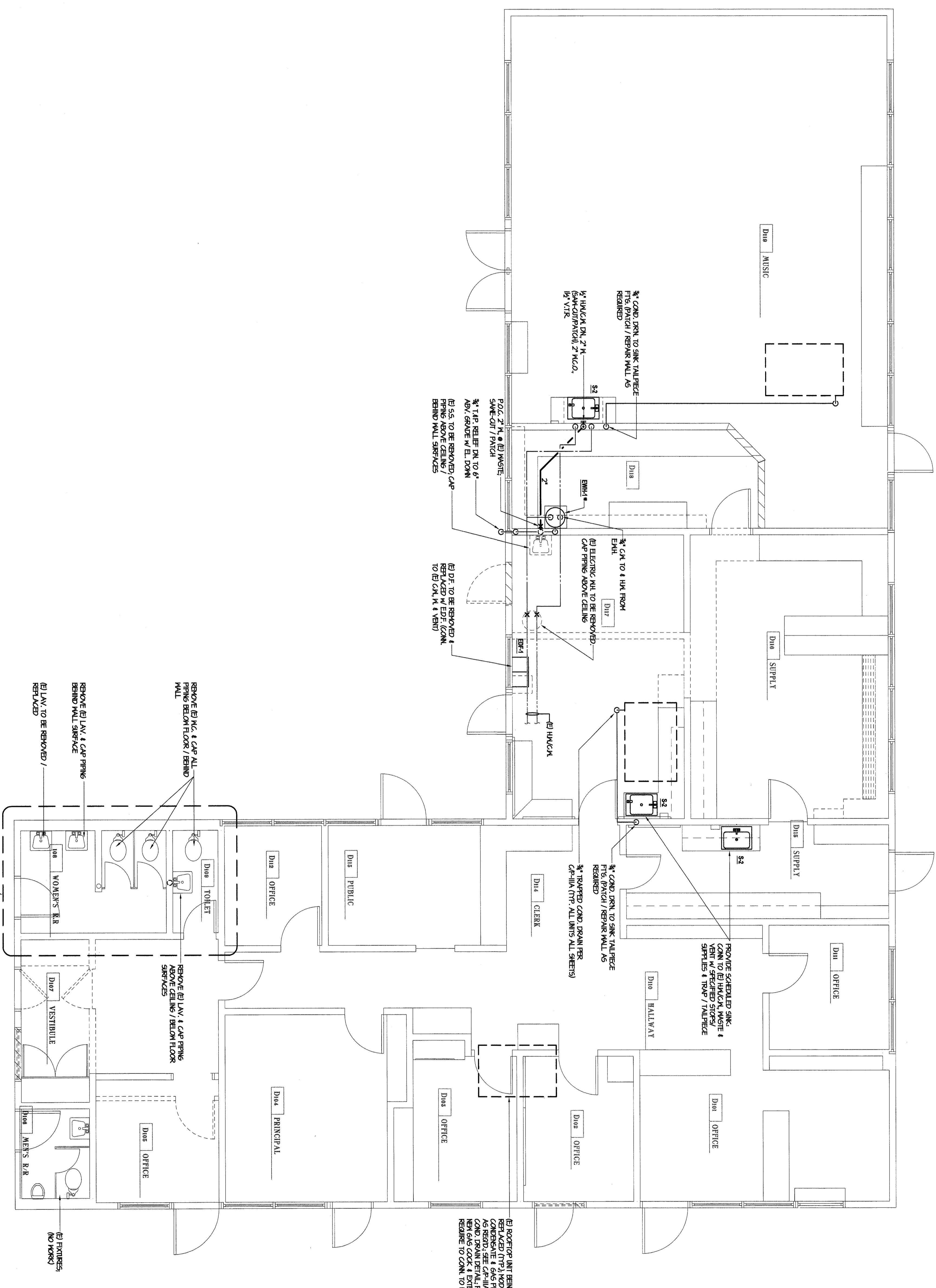
1116 LYMRIC WAY  
 BAKERSFIELD,  
 CALIFORNIA  
 93309



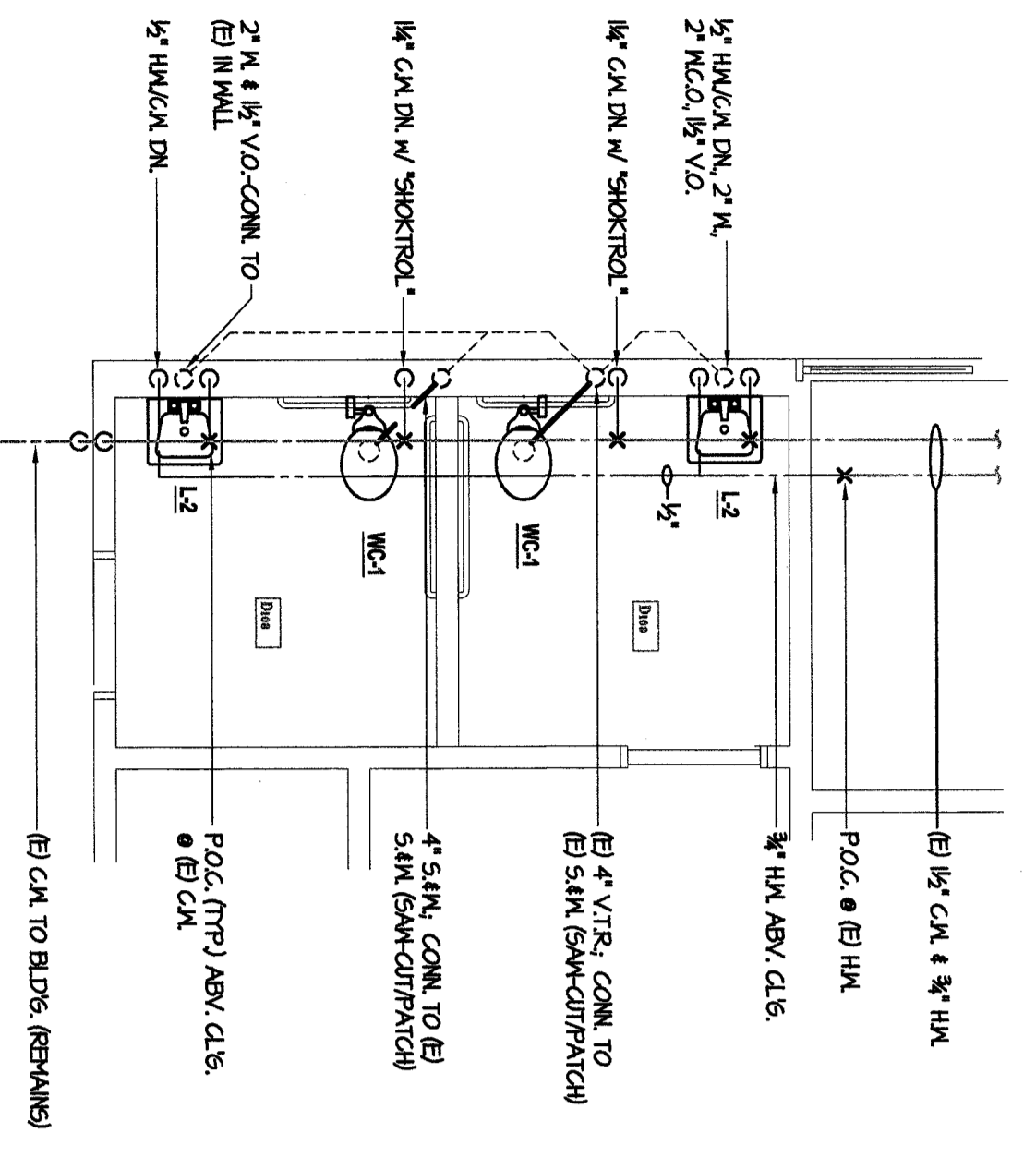
MARK	DATE	DESCRIPTION
SD		
CD		
▽		
△		
□		

JOB NUMBER: 2002-080  
 DATE: 02/01/07  
 DRAWN BY: MA  
 CHECKED BY: [Signature]  
 CHECK AND VERIFY ALL DIMENSIONS BEFORE  
 BEGINNING WORK. THE DIMENSIONS SHOWN  
 REPRESENT THE DIMENSIONS OF THE  
 PROJECT. CONSULT THE ARCHITECT FOR  
 ANY QUESTIONS.  
 ORTIZ MELBY ARCHITECTS, INC. 2000

SHEET TITLE  
**PLUMBING FLOOR  
 PLAN - BLDG. 'D' &  
 MATH ROOM, BLDG. 'F'**  
**P-124A**  
 SHEET 5 OF 6



**PLUMBING FLOOR PLAN - BUILDING 'D'**  
 SCALE: 1/4"=1'-0"  
 \* KOUNT FOR DETAIL BP-11A  
 \*\* PLANT EXPOSED IN ACC. STEEL GAS PIPE ON ROOF W/ 2 COATS OF  
 RUST INHIBITING PRIMER



**PARTIAL PLUMBING FLOOR PLAN**  
 SCALE: 1/4"=1'-0"

