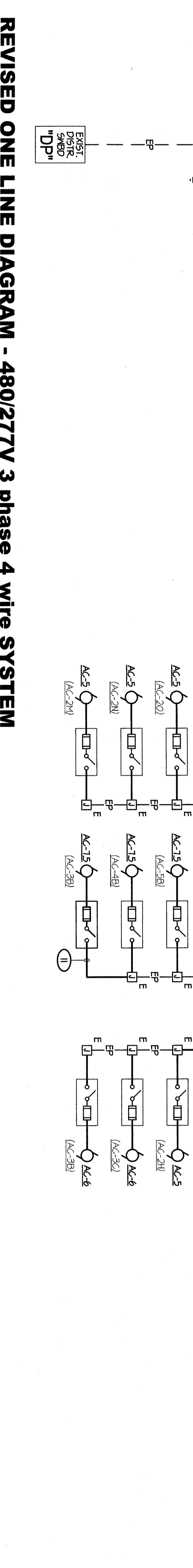
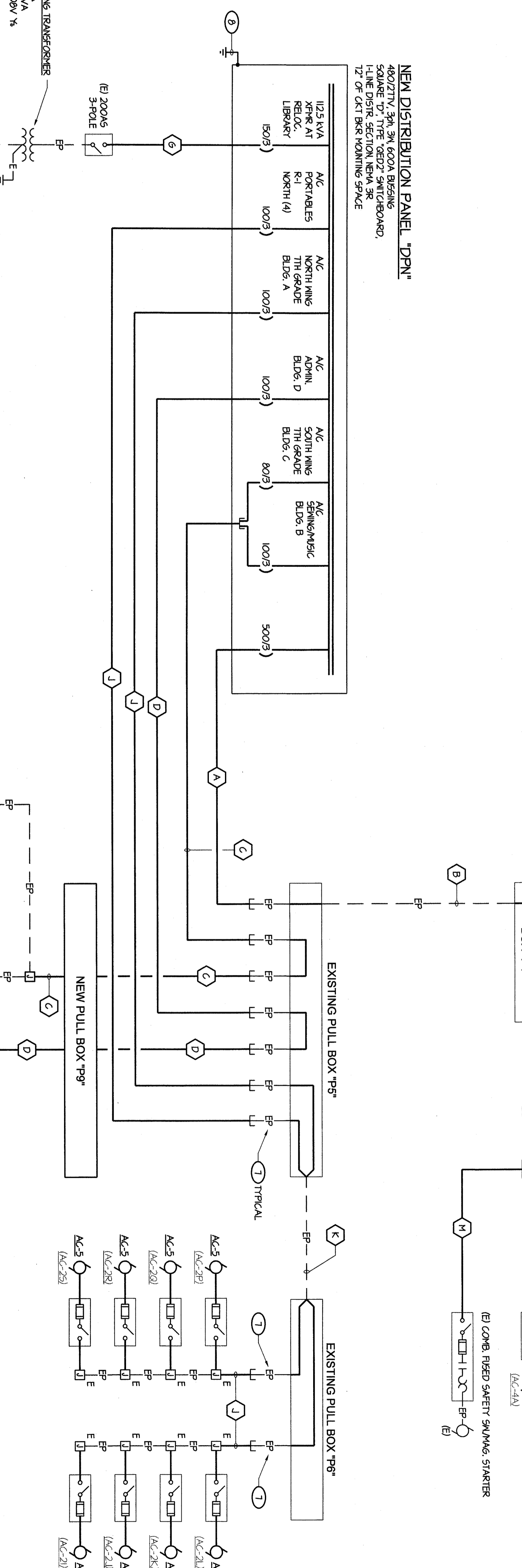


- NOTES (THIS SHEET ONLY):**
- EXISTING CIRCUIT BREAKERS AND FEEDER SHALL REMAIN.
 - NEW LOCATION OF EXISTING CIRCUIT BREAKER.
 - EXISTING CIRCUIT BREAKERS SHALL REMAIN.
 - REMOVE NEW CIRCUIT BREAKER. MATCH EXISTING ALC.
 - REMOVE EXISTING UNGRADED UNWARRANTED AND REPLACE WITH NEW UNGRADED UNWARRANTED. SPARE.
 - SPACE NEW CONDUCTORS TO EXISTING CONDUCTORS WITH WATERPROOF CONNECTIONS.
 - EXISTING CONDUIT 5/8\"/>

- REMOVE NEW FEEDER TAP PER C.E.C. 240.21 FROM EXISTING NEW 3R SCHEM COVER CAN LOCATED ADJACENT TO NEW HVAC UNIT AS FOLLOWS:
AC-4 1/2\"/>
- REMOVE NEW FEEDER TAP PER C.E.C. 240.21 FROM EXISTING NEW 3R SCHEM COVER CAN LOCATED ADJACENT TO NEW HVAC UNIT AS FOLLOWS:
AC-5 1/2\"/>
- REMOVE NEW FEEDER TAP PER C.E.C. 240.21 FROM EXISTING NEW 3R SCHEM COVER CAN LOCATED ADJACENT TO NEW HVAC UNIT AS FOLLOWS:
AC-13 3/4\"/>
- FEEDER TAP EXCEEDS 9 FEET, ADJUST CONDUCTOR SIZE PER C.E.C. 240.21(D) OR 240.21(A).
- REMOVE NEW BRANCH CIRCUITS FROM EXISTING FEED. SAFETY SWITCH BEING RE-USED TO POINT-OF-CONNECTION OF NEW HVAC UNIT. MATCH CONDUIT AND CONDUCTORS AS INDICATED IN KEYNOTE #13.
- REMOVE NEW FEED. RATING PER MANUFACTURER'S RECOMMENDATIONS.

AC UNIT LEGEND

AC-1	FLA	102
AC-2	FLA	102
AC-3	FLA	102
AC-4	FLA	102
AC-5	FLA	102
AC-6	FLA	102
AC-7	FLA	102
AC-8	FLA	102
AC-9	FLA	102
AC-10	FLA	102
AC-11	FLA	102
AC-12	FLA	102
AC-13	FLA	102
AC-14	FLA	102
AC-15	FLA	102
AC-16	FLA	102
AC-17	FLA	102
AC-18	FLA	102
AC-19	FLA	102
AC-20	FLA	102
AC-21	FLA	102
AC-22	FLA	102
AC-23	FLA	102
AC-24	FLA	102
AC-25	FLA	102
AC-26	FLA	102
AC-27	FLA	102
AC-28	FLA	102
AC-29	FLA	102
AC-30	FLA	102
AC-31	FLA	102
AC-32	FLA	102
AC-33	FLA	102
AC-34	FLA	102
AC-35	FLA	102
AC-36	FLA	102
AC-37	FLA	102
AC-38	FLA	102
AC-39	FLA	102
AC-40	FLA	102
AC-41	FLA	102
AC-42	FLA	102
AC-43	FLA	102
AC-44	FLA	102
AC-45	FLA	102
AC-46	FLA	102
AC-47	FLA	102
AC-48	FLA	102
AC-49	FLA	102
AC-50	FLA	102
AC-51	FLA	102
AC-52	FLA	102
AC-53	FLA	102
AC-54	FLA	102
AC-55	FLA	102
AC-56	FLA	102
AC-57	FLA	102
AC-58	FLA	102
AC-59	FLA	102
AC-60	FLA	102
AC-61	FLA	102
AC-62	FLA	102
AC-63	FLA	102
AC-64	FLA	102
AC-65	FLA	102



ORDIZ MELBY ARCHITECTS, INC.
 5500 WING AVENUE SUITE 200
 BAKERSFIELD, CALIFORNIA 93309
 TELEPHONE (805) 832-5258
 FACSIMILE (805) 832-4251

DANNY E. GROSZ, AIA
 WILLIAM J. WELBY, AIA
 ARCHITECTS
 131 S. DUNSMOUTH - (805) 733-2871
 VANU, CALIFORNIA 93282-8725

REGISTRATION STAMP
 PROFESSIONAL ENGINEER
 ELECTRICAL
 STATE OF CALIFORNIA
 APRIL 03-10/7003
 FILE # 15-6
 DATE _____

IDENTIFICATION STAMP
 PROJECT OFFICE OF REGULATION SERVICES
 FILE # 15-6
 AC _____ FIS _____ SS _____

MODERNIZATION AT
 CURRAN MIDDLE SCHOOL
 FOR:
 BAKERSFIELD CITY SCHOOL DISTRICT
 1116 LYRIC WAY
 BAKERSFIELD CALIFORNIA 93309

MARK DATE DESCRIPTION
 JOB NUMBER: 2007480
 DRAWN BY: TMR
 CHECK AND REPLY ALL DIMENSIONS BEFORE REPORT RECOMMENDATIONS TO THE ARCHITECT. THE EXISTING DATA AND RECORDS ARE THE PROPERTY OF THE ARCHITECT. CONSULTANT ARCHITECTS, INC. 2004

REVISIONS
 1. REVISED ONE LINE DIAGRAM - 480/277V 3ph 4W SYSTEM
 SHEET IDENTIFICATION NUMBER: ADD-007
 E-137