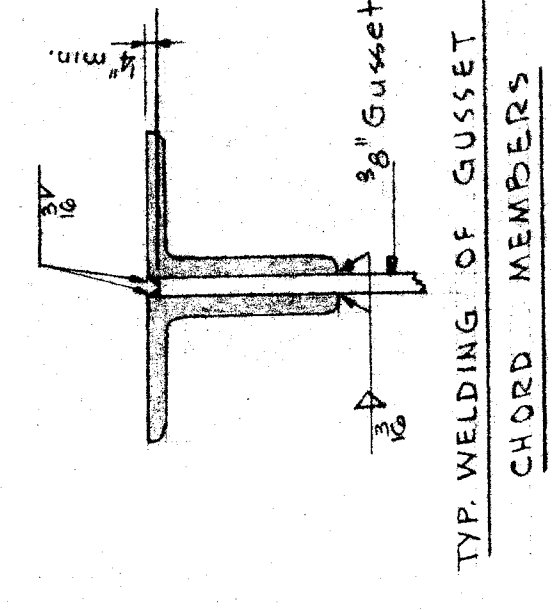
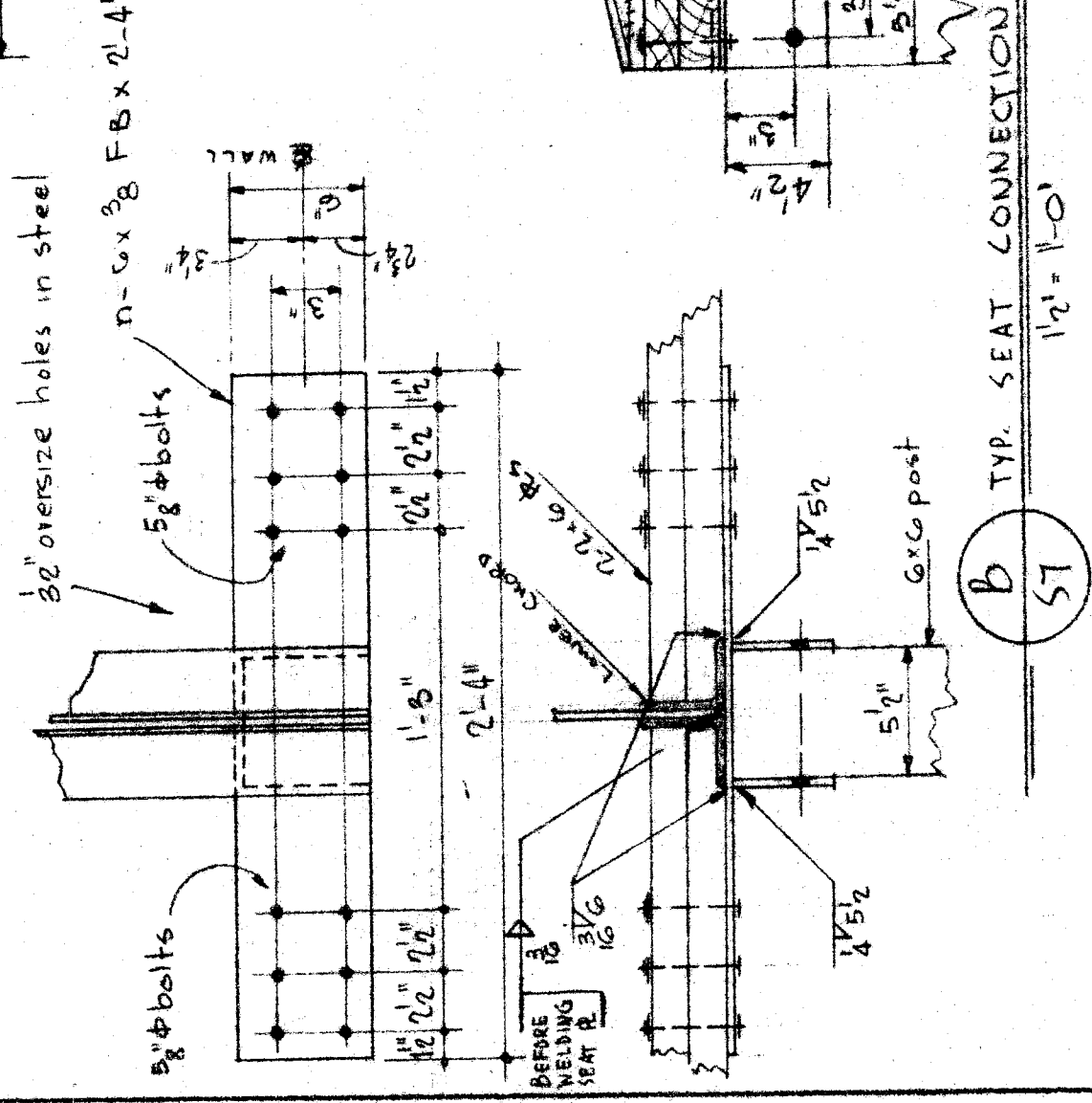


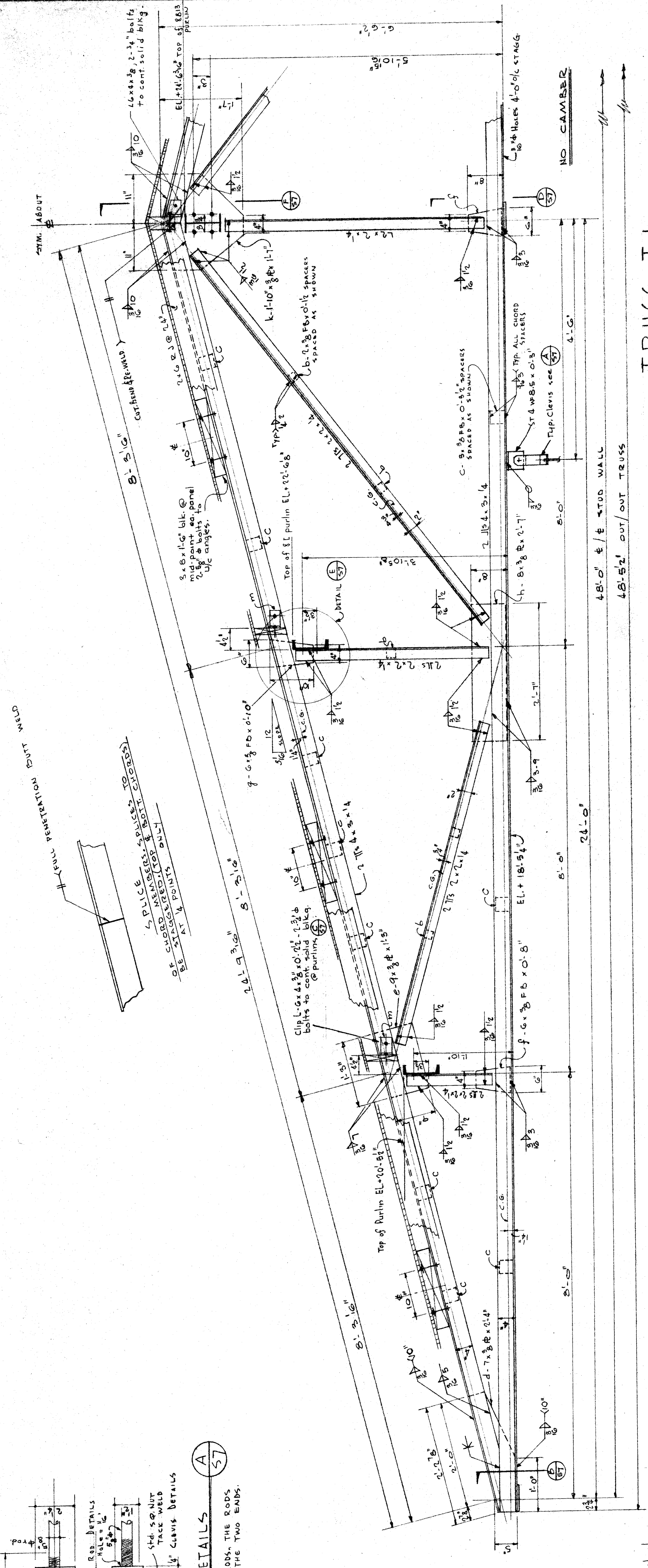
TYP. BEUT & CLEVIS DETAILS (A)
 NOTE: THUMBSCREWS ARE NOT USED IN THE RODS. THE RODS SHALL HAVE RIGHT & LEFT HAND THREADS @ THE TWO ENDS.



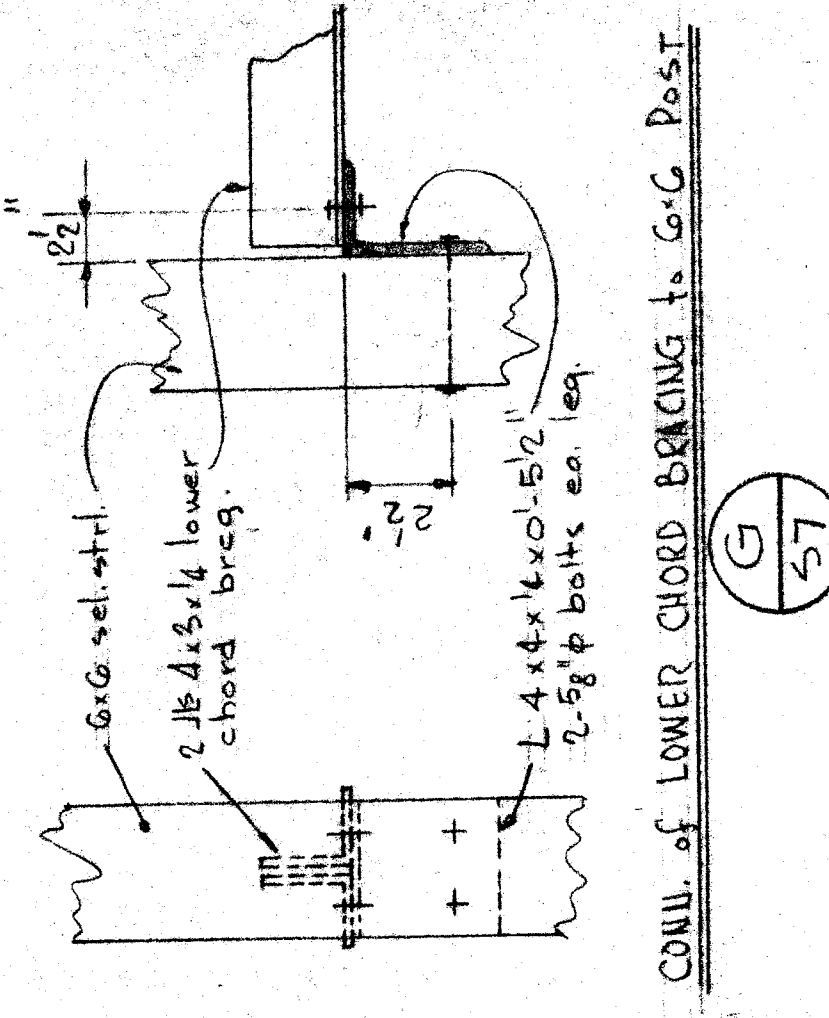
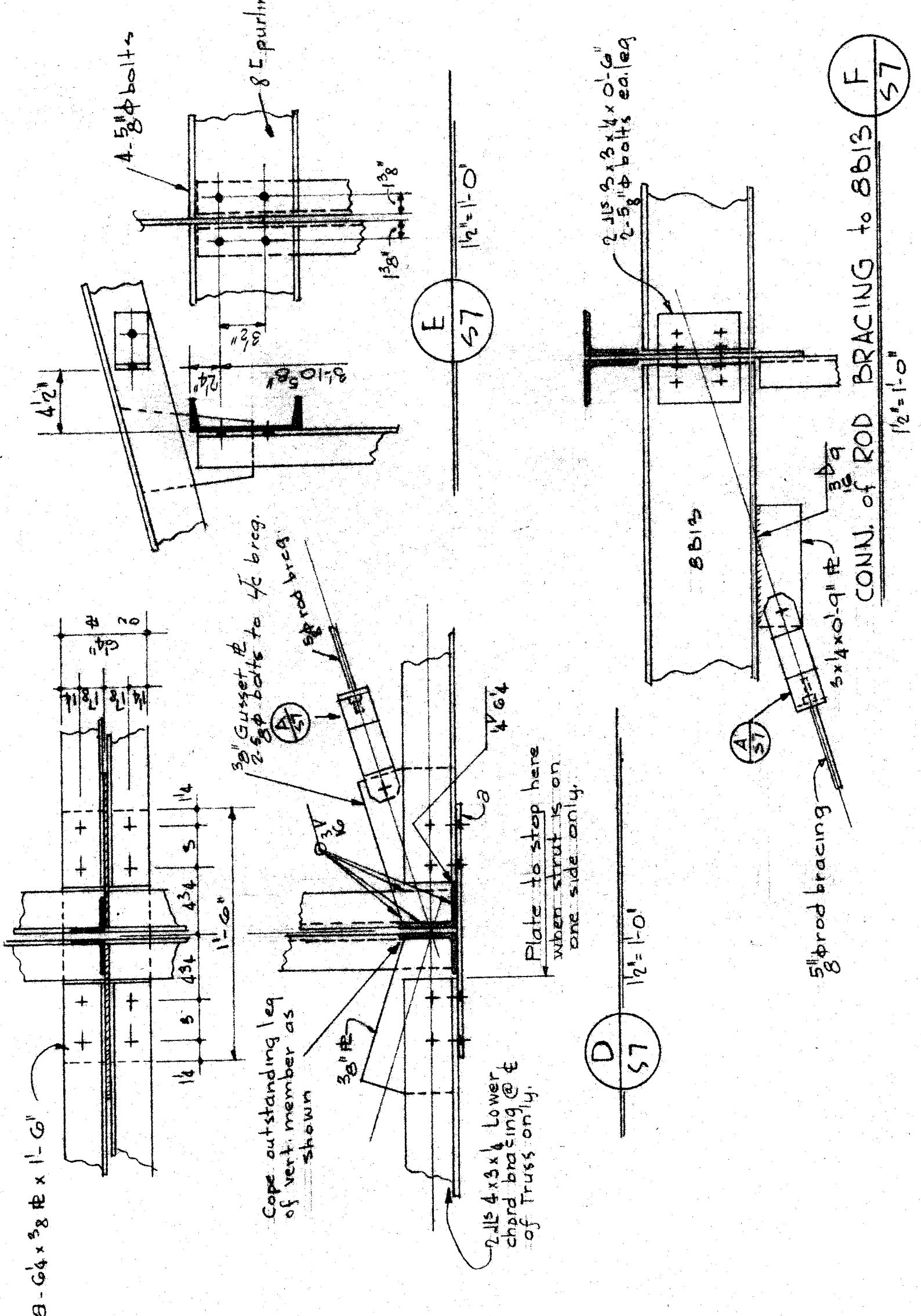
TYP. WELDING OF GUSSET PLATE TO CHORD MEMBERS



TYP. SEAT CONNECTION (B)



TRUSS T-1



CONTL. OF LOWER CHORD BRACING TO G.C. POST

NOTE: CONNECTION IS TO VERIFY ALL DIMENSIONS ON THE WORK. THIS DRAWING IS THE PROPERTY OF THE ARCHITECT AND MUST BE RETURNED UPON COMPLETION OF THE CONTRACT.

DIVISION OF ARCHITECTURE
 STATE OF CALIFORNIA - DEPARTMENT OF PUBLIC WORKS
 DIVISION OF ARCHITECTURE
 16 079 ARCHITECT - JUL 9 - 1957

BAKERSFIELD CITY SCHOOL DISTRICT
John T. Compton
Accept of Award

HILLMAN & NOWELL
 STRUCTURAL ENGINEERS
 ARCHITECTS INCLUDED, LOS ANGELES 17
E. Hillman

MULTI-PURPOSE ROOM
 HEIGHT STREET SCHOOL
 BAKERSFIELD CITY SCHOOL DISTRICT
 BAKERSFIELD CALIFORNIA

ALFORD, THOMAS & LEYDENFROST
 C. B. ALFORD & W. J. THOMAS ARCHITECTS • H. B. LEYDENFROST
 BAKERSFIELD • CALIFORNIA