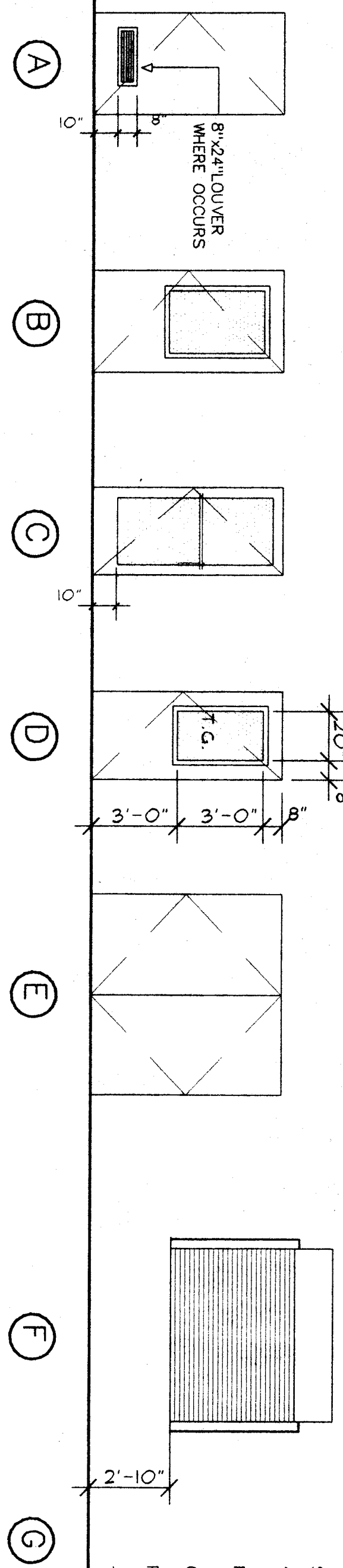


# DOOR TYPE

# FRAME TYPE

NOTE: HATCHING DENOTES TEMPERED GLAZING



**LEGEND**

H.M.	HOLLOW METAL, 16 GA. FRAMES,
18 GA. DOORS	
S.C.	SOLID CORE WOOD DOOR
45W	FACTORY APPLIED, FIRE RATING LABEL IN MINUTES
M	MORTISE TYPE LOCKSET-SEE HARDWARE SCHED.
C	CYLINDER TYPE LOCKSET-SEE HARDWARE SCHED.
PH	PRY HARDWARE-SEE HARDWARE SCHED.
T.G.	TEMPERED GLAZING

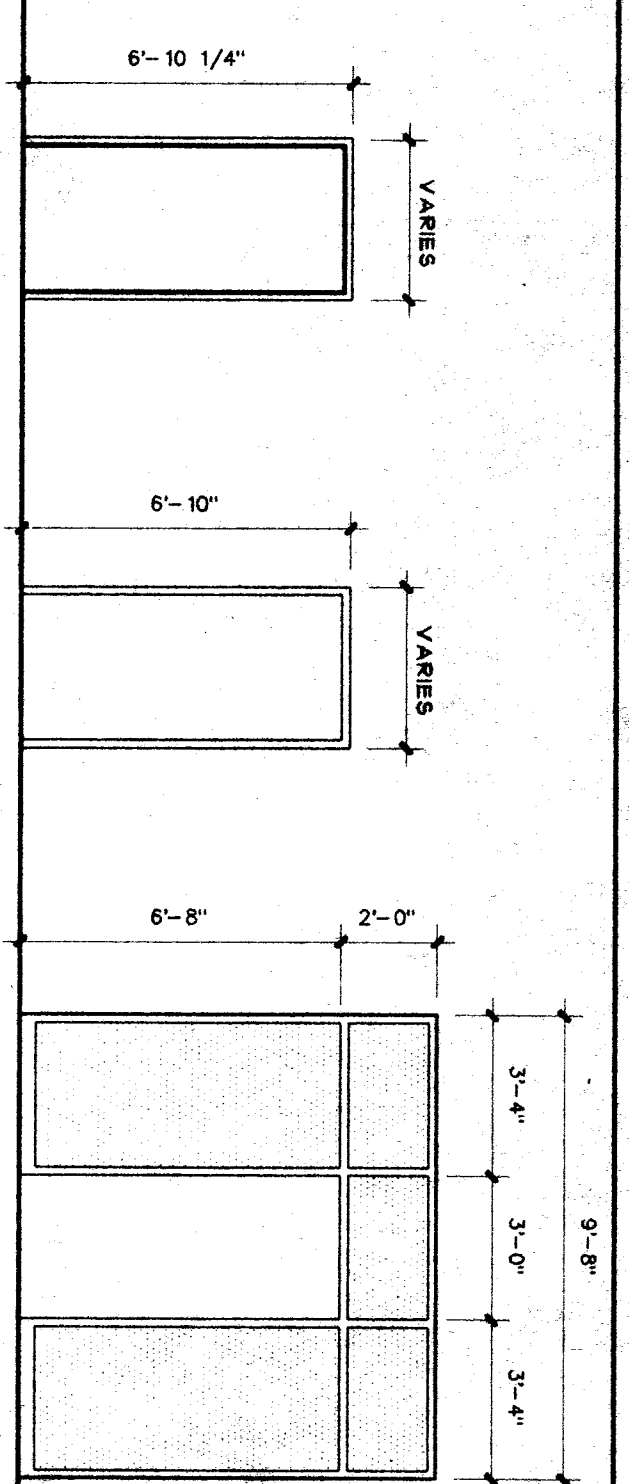
## DOOR NOTES

- EXIT DOOR REQUIREMENTS: EXIT DOORS SHALL BE OPERABLE FROM THE INSIDE WITHOUT THE USE OF A KEY OR ANY SPECIAL KNOW-LEDGE OR EFFORT
- HAND ACTIVATED DOOR OPENING HARDWARE SHALL BE LOCATED BETWEEN 30" AND 44" ABOVE FINISHED FLOOR
- ALL EXIT DOORS SHALL COMPLY WITH THE REQUIREMENTS OF SECTION 2-308 OF THE IBC
- ADJUST DOOR CLOSING DEVICES TO 8 1/2" EXTERIOR, AND 5 1/2" INTERIOR.
- ALL INTERIOR GLAZING SHALL BE 1/4" CLEAR GLASS UNLESS NOTED OTHERWISE.

# DOOR SCHEDULE

# DOOR SCHEDULE

NOTE: HATCHING DENOTES TEMPERED GLAZING



BUILDING 100		DOOR		FRAME		LABEL		HARDWARE SET		LOCK GLAZING TYPE		REMARKS	
NUMBER	TYPE	SIZE	MATERIAL	FINISH	TYPE	MATERIAL	FINISH						
101	(E) B	3'0" X 6'8"	SOLID ORE WOOD	PAINT	1	WOOD	PAINT	X					
102	(E) B	3'0" X 6'8"	SOLID ORE WOOD	PAINT	1	WOOD	PAINT	X					
103	(E) B	3'0" X 6'8"	HOLLOW METAL	PAINT	2	HOLLOW METAL	PAINT	X					
104	(E) B	3'0" X 6'8"	SOLID ORE WOOD	PAINT	1	WOOD	PAINT	X					
105	(E) A	3'0" X 6'8"	SOLID ORE WOOD	PAINT	1	WOOD	PAINT	X					
106	(E) A	3'0" X 6'8"	SOLID ORE WOOD	PAINT	1	WOOD	PAINT	X					
107	(E) A	3'0" X 6'8"	SOLID ORE WOOD	PAINT	1	WOOD	PAINT	X					
108	(E) B	3'0" X 6'8"	SOLID ORE WOOD	PAINT	1	WOOD	PAINT	X					
109	(E) B	3'0" X 6'8"	SOLID ORE WOOD	PAINT	1	WOOD	PAINT	X					

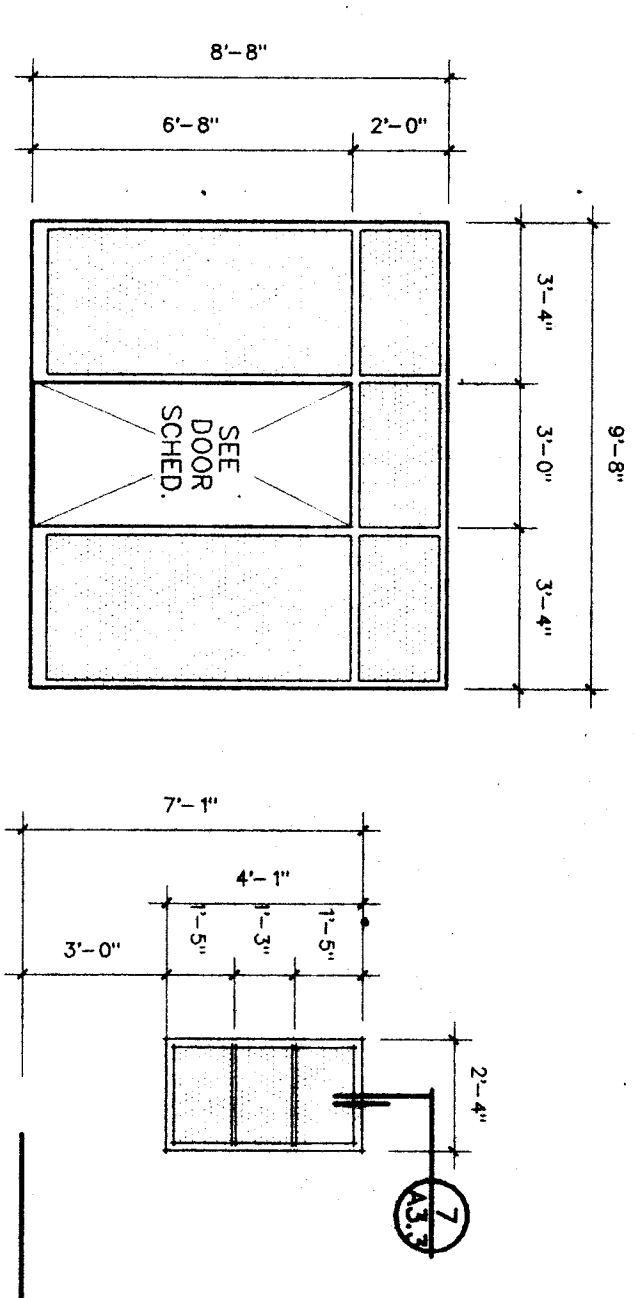
BUILDING 400		DOOR		FRAME		LABEL		HARDWARE SET		LOCK GLAZING TYPE		REMARKS	
NUMBER	TYPE	SIZE	MATERIAL	FINISH	TYPE	MATERIAL	FINISH						
401	(E) B	3'0" X 6'8"	HOLLOW METAL	PAINT	2	HOLLOW METAL	PAINT	15					
402	(E) A	3'0" X 6'8"	HOLLOW METAL	PAINT	2	HOLLOW METAL	PAINT	11					
403	(E) A	3'0" X 6'8"	SOLID ORE WOOD	PAINT	1	WOOD	PAINT	4					
404	(E) A	3'0" X 6'8"	SOLID ORE WOOD	PAINT	1	WOOD	PAINT	4					
405	(E) A	3'0" X 6'8"	SOLID ORE WOOD	PAINT	1	WOOD	PAINT	4					
406	(E) A	3'0" X 6'8"	SOLID ORE WOOD	PAINT	1	WOOD	PAINT	4					
407	(E) A	3'0" X 6'8"	HOLLOW METAL	PAINT	2	HOLLOW METAL	PAINT	16					
408	(E) A	3'0" X 6'8"	HOLLOW METAL	PAINT	2	HOLLOW METAL	PAINT	16					
409	(E) B	3'0" X 6'8"	SOLID ORE WOOD	PAINT	1	WOOD	PAINT	1					
410	(E) A	3'0" X 6'8"	HOLLOW METAL	PAINT	2	HOLLOW METAL	PAINT	X					
411	(E) A	3'0" X 6'8"	SOLID ORE WOOD	PAINT	1	WOOD	PAINT	15					
412	(E) A	3'0" X 6'8"	HOLLOW METAL	PAINT	2	HOLLOW METAL	PAINT	10					
413	(E) A	3'0" X 6'8"	SOLID ORE WOOD	PAINT	1	WOOD	PAINT	X					
414	(E) A	3'0" X 6'8"	SOLID ORE WOOD	PAINT	1	WOOD	PAINT	8					
415	(E) A	3'0" X 6'8"	SOLID ORE WOOD	PAINT	1	WOOD	PAINT	8A					
416	(E) A	3'0" X 6'8"	SOLID ORE WOOD	PAINT	1	WOOD	PAINT	7A					
417	(E) A	3'0" X 6'8"	SOLID ORE WOOD	PAINT	1	WOOD	PAINT	417					
418	(E) A	3'0" X 6'8"	SOLID ORE WOOD	PAINT	1	WOOD	PAINT	418					
419	(E) A	3'0" X 6'8"	SOLID ORE WOOD	PAINT	1	WOOD	PAINT	419					
420	(E) A	3'0" X 6'8"	SOLID ORE WOOD	PAINT	1	WOOD	PAINT	420					
421	(E) A	3'0" X 6'8"	SOLID ORE WOOD	PAINT	1	WOOD	PAINT	421					
422	(E) A	3'0" X 6'8"	SOLID ORE WOOD	PAINT	1	WOOD	PAINT	422					
423	(E) A	3'0" X 6'8"	SOLID ORE WOOD	PAINT	1	WOOD	PAINT	423					
424	(E) A	3'0" X 6'8"	SOLID ORE WOOD	PAINT	1	WOOD	PAINT	424					
425	(E) A	3'0" X 6'8"	SOLID ORE WOOD	PAINT	1	WOOD	PAINT	425					
426	(E) A	3'0" X 6'8"	SOLID ORE WOOD	PAINT	1	WOOD	PAINT	426					

BUILDING 500		DOOR		FRAME		LABEL		HARDWARE SET		LOCK GLAZING TYPE		REMARKS	
NUMBER	TYPE	SIZE	MATERIAL	FINISH	TYPE	MATERIAL	FINISH						
501	(E) B	3'0" X 6'8"	HOLLOW METAL	FACTORY	3	ALUMINUM	FACTORY	18					
502	(E) B	3'0" X 6'8"	HOLLOW METAL	FACTORY	3	ALUMINUM	FACTORY	14					
503	(E) A	3'0" X 6'8"	SOLID ORE WOOD	PAINT	1	WOOD	PAINT	1A					
504	(E) A	3'0" X 6'8"	SOLID ORE WOOD	PAINT	1	WOOD	PAINT	504					
505	(E) A	3'0" X 6'8"	SOLID ORE WOOD	PAINT	1	WOOD	PAINT	505					
506	(E) A	3'0" X 6'8"	SOLID ORE WOOD	PAINT	1	WOOD	PAINT	506					
507	(E) A	3'0" X 6'8"	SOLID ORE WOOD	PAINT	1	WOOD	PAINT	507					
508	(E) A	3'0" X 6'8"	SOLID ORE WOOD	PAINT	1	WOOD	PAINT	508					
509	(E) A	3'0" X 6'8"	SOLID ORE WOOD	PAINT	1	WOOD	PAINT	509					
510	(E) A	3'0" X 6'8"	SOLID ORE WOOD	PAINT	1	WOOD	PAINT	510					
511	(E) A	3'0" X 6'8"	SOLID ORE WOOD	PAINT	1	WOOD	PAINT	511					
512	(E) A	3'0" X 6'8"	SOLID ORE WOOD	PAINT	1	WOOD	PAINT	512					
513	(E) A	3'0" X 6'8"	SOLID ORE WOOD	PAINT	1	WOOD	PAINT	513					
514	(E) A	3'0" X 6'8"	SOLID ORE WOOD	PAINT	1	WOOD	PAINT	514					
515	(E) A	3'0" X 6'8"	SOLID ORE WOOD	PAINT	1	WOOD	PAINT	515					
516	(E) A	3'0" X 6'8"	SOLID ORE WOOD	PAINT	1	WOOD	PAINT	516					
517	(E) A	3'0" X 6'8"	SOLID ORE WOOD	PAINT	1	WOOD	PAINT	517					

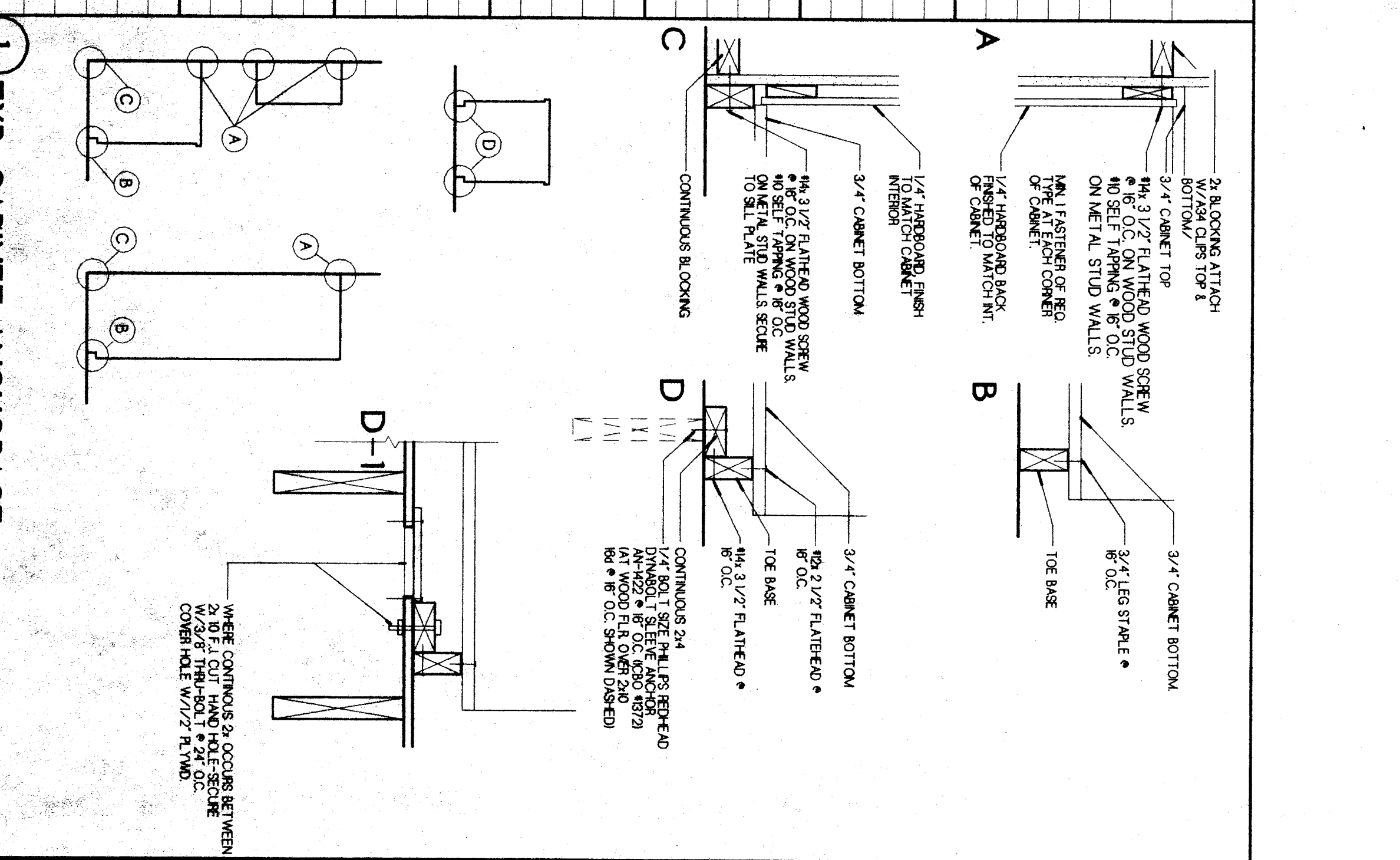
BUILDING 600		DOOR		FRAME		LABEL		HARDWARE SET		LOCK GLAZING TYPE		REMARKS	
NUMBER	TYPE	SIZE	MATERIAL	FINISH	TYPE	MATERIAL	FINISH						
601	(E) B	3'0" X 6'8"	SOLID ORE WOOD	PAINT	1	WOOD	PAINT	X					
602	(E) B	3'0" X 6'8"	SOLID ORE WOOD	PAINT	1	WOOD	PAINT	X					
603	(E) B	3'0" X 6'8"	SOLID ORE WOOD	PAINT	1	WOOD	PAINT	X					
604	(E) B	3'0" X 6'8"	SOLID ORE WOOD	PAINT	1	WOOD	PAINT	X					
605	(E) B	3'0" X 6'8"	SOLID ORE WOOD	PAINT	1	WOOD	PAINT	X					
606	(E) B	3'0" X 6'8"	SOLID ORE WOOD	PAINT	1	WOOD	PAINT	X					
607	(E) B	3'0" X 6'8"	SOLID ORE WOOD	PAINT	1	WOOD	PAINT	X					
608	(E) B	3'0" X 6'8"	SOLID ORE WOOD	PAINT	1	WOOD	PAINT	X					

BUILDING 700		DOOR		FRAME		LABEL		HARDWARE SET		LOCK GLAZING TYPE		REMARKS	
NUMBER	TYPE	SIZE	MATERIAL	FINISH	TYPE	MATERIAL	FINISH						
701	(E) B	3'6" X 6'8"	SOLID ORE WOOD	PAINT	1	WOOD	PAINT	X					
702	(E) B	3'6" X 6'8"	SOLID ORE WOOD	PAINT	1	WOOD	PAINT	X					
703	(E) B	3'6" X 6'8"	SOLID ORE WOOD	PAINT	1	WOOD	PAINT	X					
704	(E) A	3'6" X 6'8"	SOLID ORE WOOD	PAINT	1	WOOD	PAINT	X					
705	(E) A	3'0" X 6'8"	SOLID ORE WOOD	PAINT	1	WOOD	PAINT	X					
706	(E) A	3'0" X 6'8"	SOLID ORE WOOD	PAINT	1	WOOD	PAINT	X					
707	(E) A	3'0" X 6'8"	SOLID ORE WOOD	PAINT	1	WOOD	PAINT	X					
708	(E) A	3'0" X 6'8"	SOLID ORE WOOD	PAINT	1	WOOD	PAINT	X					
709	(E) A	3'0" X 6'8"	SOLID ORE WOOD	PAINT	1	WOOD	PAINT	X					
710	(E) A	3'0" X 6'8"	HOLLOW METAL	PAINT	2	HOLLOW METAL	PAINT	X					
711	(E) A	3'0" X 6'8"	HOLLOW METAL	PAINT	2	HOLLOW METAL	PAINT	X					
712	(E) A	3'0" X 6'8"	SOLID ORE WOOD	PAINT	1	WOOD	PAINT	X					

# WINDOW SCHEDULE



CABINET SCHEDULE		REMARKS	
CABINET NUMBER	W/C DIMENSIONS L x H x D	SC	REMARKS
100M	48" x 34" x 24"	SC	
101	18" x 20" x 30"	SC	
102	24" x 30" x 24"	SC	
102	30" x 34" x 24"	SC	
102	36" x 30" x 24"	SC	
103M	36" x 34" x 24"	SC	
156M	48" x 34" x 24"	SC	H.C. ACCESSIBLE W/REMOVABLE BASE & SHELF, W/6" EXPOSED APRON
170	60" x 42" x 18"	SC	
180	36" x 48" x 18"	SC	
186M	48" x 48" x 36"	SC	
212M	36" x 34" x 30"	SC	WITH SLIDING SHELVES - SEE DETAIL T-A2.5
223	18" x 30" x 27"	SC	
230	12" x 34" x 24"	SC	
230	18" x 30" x 30"	SC	
240M	42" x 34" x 30"	SC	
300	36" x 24" x 18"	SC	
302	24" x 24" x 12"	SC	
302	30" x 24" x 12"	SC	
302	36" x 30" x 12"	SC	
302	36" x 30" x 24"	SC	
302	48" x 30" x 15"	SC	
400M	30" x 77" x 18"	SC	
401	24" x 84" x 24"	SC	
402	30" x 84" x 27"	SC	
402	36" x 84" x 24"	SC	
402	45" x 84" x 24"	SC	
402	24" x 84" x 24"	SC	
402	36" x 30" x 30"	SC	H.C. ACCESSIBLE KNEE SPACE
160	48" x 34" x 24"	SC	



**ORDIZ MELBY ARCHITECTS INC.**  
5620 DISTRICT BLVD. #106  
BAKERSFIELD, CA 93313  
TEL: (805)-832-6266  
FAX: (805)-832-4891

**BAKERSFIELD CITY SCHOOL DISTRICT**  
2551 SUNNY LN.  
BAKERSFIELD, CALIFORNIA 93305

AS BUILT DRAWINGS  
MODERNIZATION OF  
COLLEGE HEIGHTS  
ELEMENTARY SCHOOL  
FOR

DATE: 1-15-1999  
APPL: 101484  
OFFICE OF REGULATION SERVICES

LEGEND  
NO. 1000  
NO. 31  
NO. 32  
NO. 33  
NO. 34  
NO. 35  
NO. 36  
NO. 37  
NO. 38  
NO. 39