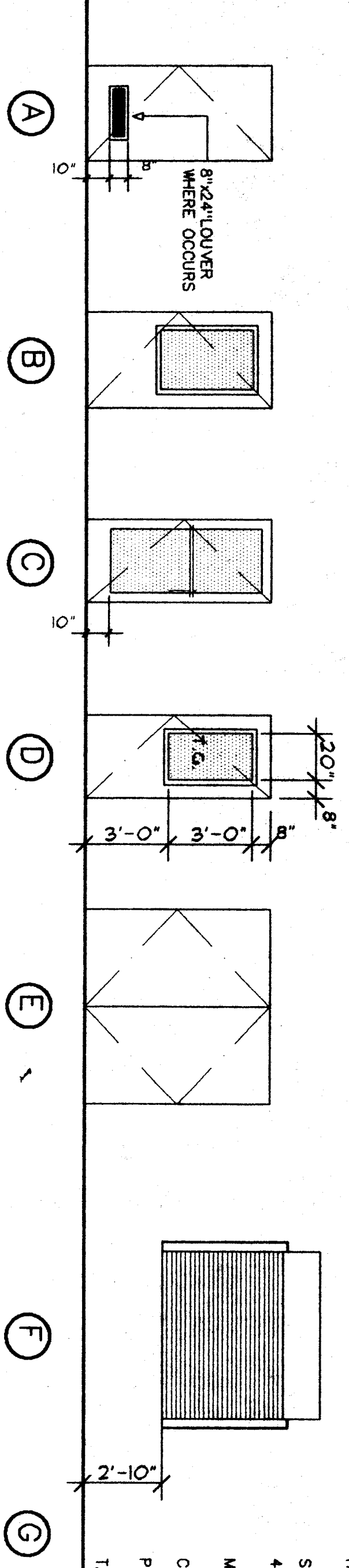


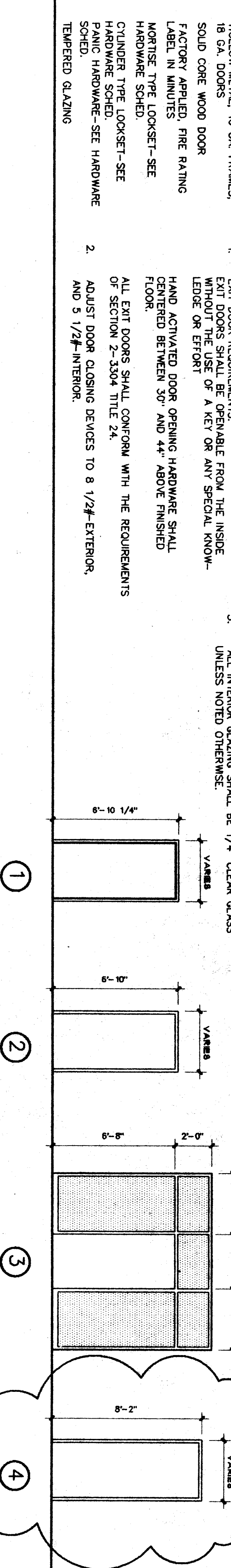
DOOR TYPE

NOTE: HATCHING DENOTES TEMPERED GLAZING



FRAME TYPE

NOTE: HATCHING DENOTES TEMPERED GLAZING



DOOR SCHEDULE

BUILDING	DOOR	FRAME	NUMBER	TYPE	SIZE	MATERIAL	FINISH	TYPE	MATERIAL	FINISH	HARDWARE SET	LOCK GLAZING TYPE	REMARKS
BUILDING 100	DOOR	FRAME	101	(E) B	3'6" x 6'8"	SOLID ORE WOOD	PAINT	1	WOOD	PAINT	X		
			102	(E) B	3'6" x 6'8"	SOLID ORE WOOD	PAINT	1	WOOD	PAINT	X		
			103	(E) B	3'6" x 6'8"	SOLID ORE WOOD	PAINT	1	WOOD	PAINT	X		
			104	(E) B	3'6" x 6'8"	SOLID ORE WOOD	PAINT	1	WOOD	PAINT	X		
			105	(E) A	3'6" x 6'8"	SOLID ORE WOOD	PAINT	1	WOOD	PAINT	X		
			106	(E) A	3'6" x 6'8"	SOLID ORE WOOD	PAINT	1	WOOD	PAINT	X		
			107	(E) A	3'6" x 6'8"	SOLID ORE WOOD	PAINT	1	WOOD	PAINT	X		
			108	(E) A	3'6" x 6'8"	SOLID ORE WOOD	PAINT	1	WOOD	PAINT	X		
			109	(E) B	3'6" x 6'8"	SOLID ORE WOOD	PAINT	1	WOOD	PAINT	X		
			110	(E) B	3'6" x 6'8"	SOLID ORE WOOD	PAINT	1	WOOD	PAINT	X		
BUILDING 400	DOOR	FRAME	401	(E) E	3'0" x 6'8"	SOLID ORE WOOD	PAINT	1	WOOD	PAINT	15A		
			402	(E) E	3'0" x 6'8"	SOLID ORE WOOD	PAINT	1	WOOD	PAINT	15		
			403	(E) A	3'0" x 6'8"	SOLID ORE WOOD	PAINT	1	WOOD	PAINT	11		
			404	(E) A	3'0" x 6'8"	SOLID ORE WOOD	PAINT	1	WOOD	PAINT	4		
			405	(E) A	3'0" x 6'8"	SOLID ORE WOOD	PAINT	1	WOOD	PAINT	20		
			406	(E) A	3'0" x 6'8"	SOLID ORE WOOD	PAINT	1	WOOD	PAINT	16		
			407	(E) A	3'0" x 6'8"	SOLID ORE WOOD	PAINT	1	WOOD	PAINT	20		
			408	(E) A	3'0" x 6'8"	SOLID ORE WOOD	PAINT	1	WOOD	PAINT	21		
			409	(E) A	3'0" x 6'8"	SOLID ORE WOOD	PAINT	1	WOOD	PAINT	15A		
			410	(E) A	3'0" x 6'8"	SOLID ORE WOOD	PAINT	1	WOOD	PAINT	10		
BUILDING 500	DOOR	FRAME	501	(E) A	3'0" x 6'8"	SOLID ORE WOOD	PAINT	1	WOOD	PAINT	12A		
			502	(E) A	3'0" x 6'8"	SOLID ORE WOOD	PAINT	1	WOOD	PAINT	12		
			503	(E) A	3'0" x 6'8"	SOLID ORE WOOD	PAINT	1	WOOD	PAINT	12		
			504	(E) A	3'0" x 6'8"	SOLID ORE WOOD	PAINT	1	WOOD	PAINT	12		
			505	(E) A	3'0" x 6'8"	SOLID ORE WOOD	PAINT	1	WOOD	PAINT	12		
			506	(E) A	3'0" x 6'8"	SOLID ORE WOOD	PAINT	1	WOOD	PAINT	12		
			507	(E) A	3'0" x 6'8"	SOLID ORE WOOD	PAINT	1	WOOD	PAINT	12		
			508	(E) A	3'0" x 6'8"	SOLID ORE WOOD	PAINT	1	WOOD	PAINT	12		
			509	(E) A	3'0" x 6'8"	SOLID ORE WOOD	PAINT	1	WOOD	PAINT	12		
			510	(E) A	3'0" x 6'8"	SOLID ORE WOOD	PAINT	1	WOOD	PAINT	12		

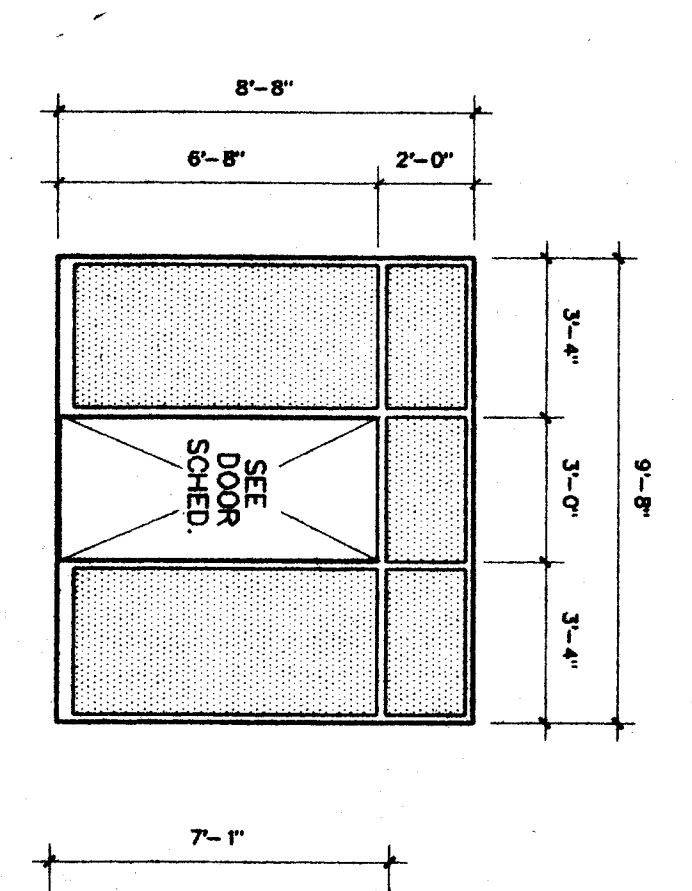
DOOR SCHEDULE

BUILDING	DOOR	FRAME	NUMBER	TYPE	SIZE	MATERIAL	FINISH	TYPE	MATERIAL	FINISH	HARDWARE SET	LOCK GLAZING TYPE	REMARKS
BUILDING 700	DOOR	FRAME	701	(E) B	3'6" x 6'8"	SOLID ORE WOOD	PAINT	1	WOOD	PAINT	X		
			702	(E) B	3'6" x 6'8"	SOLID ORE WOOD	PAINT	1	WOOD	PAINT	X		
			703	(E) B	3'6" x 6'8"	SOLID ORE WOOD	PAINT	1	WOOD	PAINT	X		
			704	(E) B	3'6" x 6'8"	SOLID ORE WOOD	PAINT	1	WOOD	PAINT	X		
			705	(E) A	3'6" x 6'8"	SOLID ORE WOOD	PAINT	1	WOOD	PAINT	X		
			706	(E) A	3'6" x 6'8"	SOLID ORE WOOD	PAINT	1	WOOD	PAINT	X		
			707	(E) A	3'6" x 6'8"	SOLID ORE WOOD	PAINT	1	WOOD	PAINT	X		
			708	(E) A	3'6" x 6'8"	SOLID ORE WOOD	PAINT	1	WOOD	PAINT	X		
			709	(E) A	3'6" x 6'8"	SOLID ORE WOOD	PAINT	1	WOOD	PAINT	X		
			710	(E) A	3'6" x 6'8"	SOLID ORE WOOD	PAINT	1	WOOD	PAINT	X		

WINDOW SCHEDULE

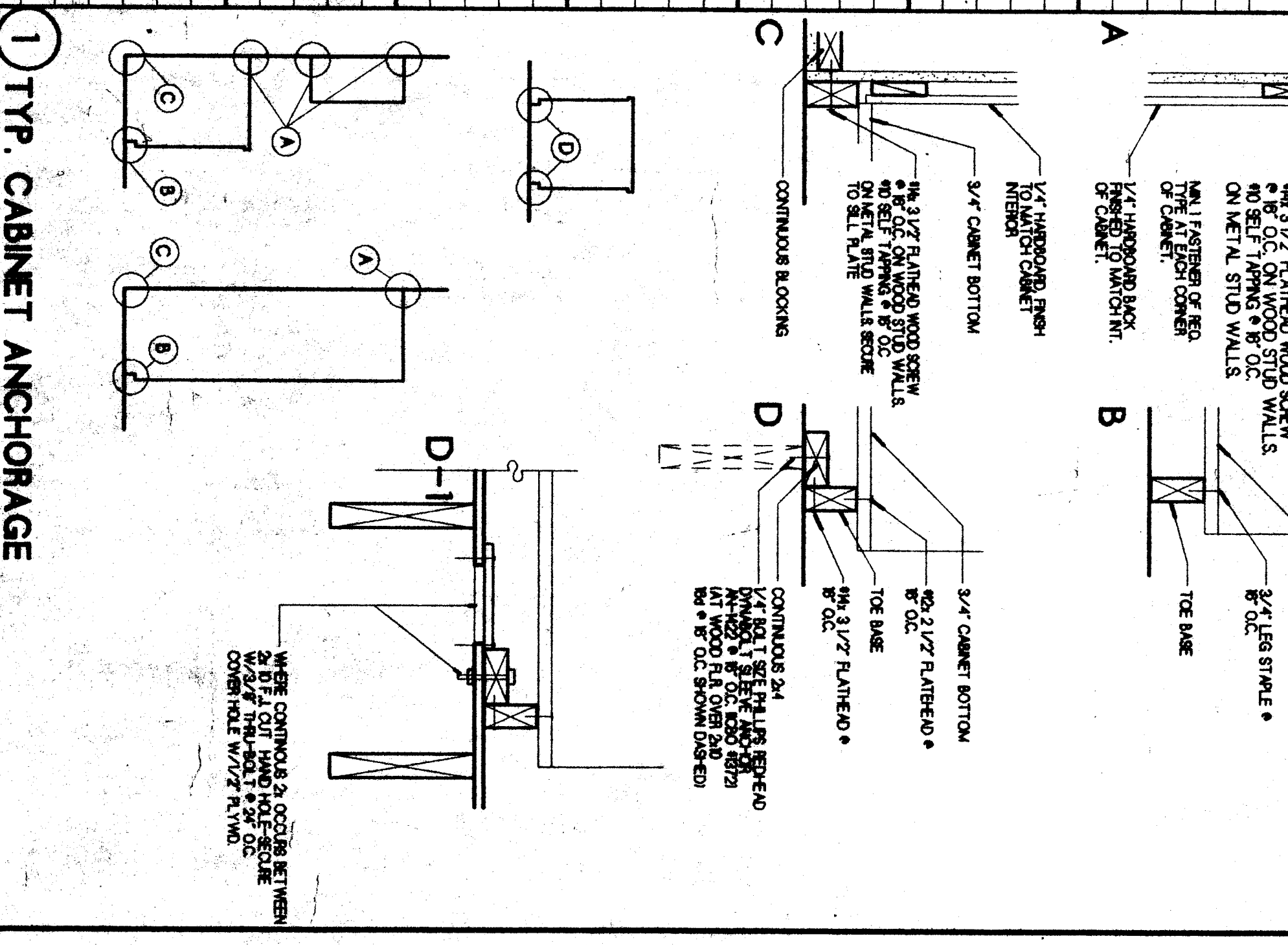
CABINET NUMBER	W/C NUMBER	DIMENSIONS L x H x D	REMARKS
100M	101	48" x 34" x 24"	H.C. ACCESSIBLE W/REMOVABLE BASE & SHELF W/B EXPOSED APRON
102	102	24" x 30" x 24"	H.C. ACCESSIBLE W/REMOVABLE BASE & SHELF W/B EXPOSED APRON
102	102	24" x 30" x 24"	H.C. ACCESSIBLE W/REMOVABLE BASE & SHELF W/B EXPOSED APRON
102	102	30" x 34" x 24"	H.C. ACCESSIBLE W/REMOVABLE BASE & SHELF W/B EXPOSED APRON
102M	102M	36" x 30" x 24"	H.C. ACCESSIBLE W/REMOVABLE BASE & SHELF W/B EXPOSED APRON
156M	156M	48" x 34" x 24"	H.C. ACCESSIBLE W/REMOVABLE BASE & SHELF W/B EXPOSED APRON
170	170	60" x 42" x 18"	H.C. ACCESSIBLE W/REMOVABLE BASE & SHELF W/B EXPOSED APRON
180	180	36" x 34" x 18"	H.C. ACCESSIBLE W/REMOVABLE BASE & SHELF W/B EXPOSED APRON
186M	186M	48" x 48" x 36"	H.C. ACCESSIBLE W/REMOVABLE BASE & SHELF W/B EXPOSED APRON
212M	212M	36" x 34" x 30"	H.C. ACCESSIBLE W/REMOVABLE BASE & SHELF W/B EXPOSED APRON
230	230	18" x 30" x 30"	H.C. ACCESSIBLE W/REMOVABLE BASE & SHELF W/B EXPOSED APRON
240M	240M	42" x 34" x 30"	H.C. ACCESSIBLE W/REMOVABLE BASE & SHELF W/B EXPOSED APRON
402	402	36" x 34" x 24"	H.C. ACCESSIBLE W/REMOVABLE BASE & SHELF W/B EXPOSED APRON
531	531	36" x 34" x 24"	H.C. ACCESSIBLE W/REMOVABLE BASE & SHELF W/B EXPOSED APRON
603	603	45" x 34" x 24"	H.C. ACCESSIBLE W/REMOVABLE BASE & SHELF W/B EXPOSED APRON
402	402	24" x 34" x 24"	H.C. ACCESSIBLE W/REMOVABLE BASE & SHELF W/B EXPOSED APRON
180	180	36" x 30" x 30"	H.C. ACCESSIBLE W/REMOVABLE BASE & SHELF W/B EXPOSED APRON
160	160	48" x 34" x 24"	H.C. ACCESSIBLE W/REMOVABLE BASE & SHELF W/B EXPOSED APRON

1 ALUMINUM SUSPENSION
2 WINDOW SHALL BE FRONT LOADED TORQUE



CABINET SCHEDULE

CABINET NUMBER	W/C NUMBER	DIMENSIONS L x H x D	REMARKS
100M	101	48" x 34" x 24"	H.C. ACCESSIBLE W/REMOVABLE BASE & SHELF W/B EXPOSED APRON
102	102	24" x 30" x 24"	H.C. ACCESSIBLE W/REMOVABLE BASE & SHELF W/B EXPOSED APRON
102	102	24" x 30" x 24"	H.C. ACCESSIBLE W/REMOVABLE BASE & SHELF W/B EXPOSED APRON
102	102	30" x 34" x 24"	H.C. ACCESSIBLE W/REMOVABLE BASE & SHELF W/B EXPOSED APRON
102M	102M	36" x 30" x 24"	H.C. ACCESSIBLE W/REMOVABLE BASE & SHELF W/B EXPOSED APRON
156M	156M	48" x 34" x 24"	H.C. ACCESSIBLE W/REMOVABLE BASE & SHELF W/B EXPOSED APRON
170	170	60" x 42" x 18"	H.C. ACCESSIBLE W/REMOVABLE BASE & SHELF W/B EXPOSED APRON
180	180	36" x 34" x 18"	H.C. ACCESSIBLE W/REMOVABLE BASE & SHELF W/B EXPOSED APRON
186M	186M	48" x 48" x 36"	H.C. ACCESSIBLE W/REMOVABLE BASE & SHELF W/B EXPOSED APRON
212M	212M	36" x 34" x 30"	H.C. ACCESSIBLE W/REMOVABLE BASE & SHELF W/B EXPOSED APRON
230	230	18" x 30" x 30"	H.C. ACCESSIBLE W/REMOVABLE BASE & SHELF W/B EXPOSED APRON
240M	240M	42" x 34" x 30"	H.C. ACCESSIBLE W/REMOVABLE BASE & SHELF W/B EXPOSED APRON
402	402	36" x 34" x 24"	H.C. ACCESSIBLE W/REMOVABLE BASE & SHELF W/B EXPOSED APRON
531	531	36" x 34" x 24"	H.C. ACCESSIBLE W/REMOVABLE BASE & SHELF W/B EXPOSED APRON
603	603	45" x 34" x 24"	H.C. ACCESSIBLE W/REMOVABLE BASE & SHELF W/B EXPOSED APRON
402	402	24" x 34" x 24"	H.C. ACCESSIBLE W/REMOVABLE BASE & SHELF W/B EXPOSED APRON
180	180	36" x 30" x 30"	H.C. ACCESSIBLE W/REMOVABLE BASE & SHELF W/B EXPOSED APRON
160	160	48" x 34" x 24"	H.C. ACCESSIBLE W/REMOVABLE BASE & SHELF W/B EXPOSED APRON



ORDIZ MELBY ARCHITECTS INC.
6620 DISTRICT BLVD. #106
BAKERSFIELD, CA 93315
TEL (805) 632-6566
FAX (805) 632-4281

APPROVED
DANNY E. ORDIZ A.I.A.
ARCHITECT
C-14,728
WILLIAM J. MELBY A.I.A.
ARCHITECT
C-16,585

IDENTIFICATION STAMP
DIV. OF STATE ARCHITECT
OFFICE OF REGULATION SERVICES
APR 10 10:49 AM '94

AS BUILT DRAWINGS
MODERNIZATION OF
COLLEGE HEIGHTS
OF ELEM. SCHOOL
FOR

BAKERSFIELD CITY SCHOOL DISTRICT
2551 SUNNY LN.
BAKERSFIELD, CALIFORNIA 93305

APPENDUM #1 DRAWING 1-7
CHECK AND VERIFY ALL DIMENSIONS BEFORE PROCEEDING WITH THE WORK. REPORT DISCREPANCIES TO THE ARCHITECT.
DATE: 07/10/2001
REVISION: 01
JOB NUMBER: 97140
DATE: 1/6/99
DRAWN BY: M.K.B.
82