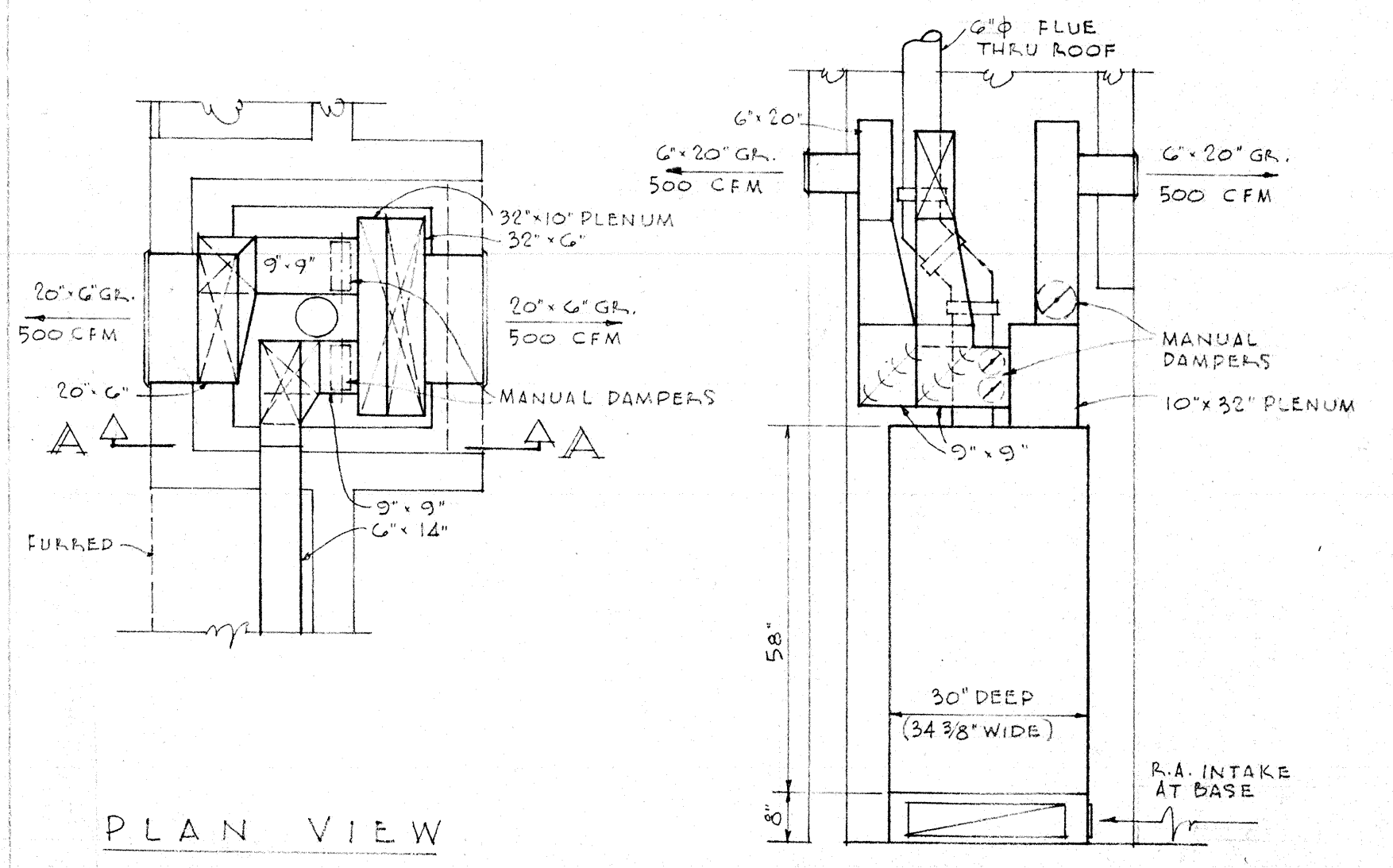
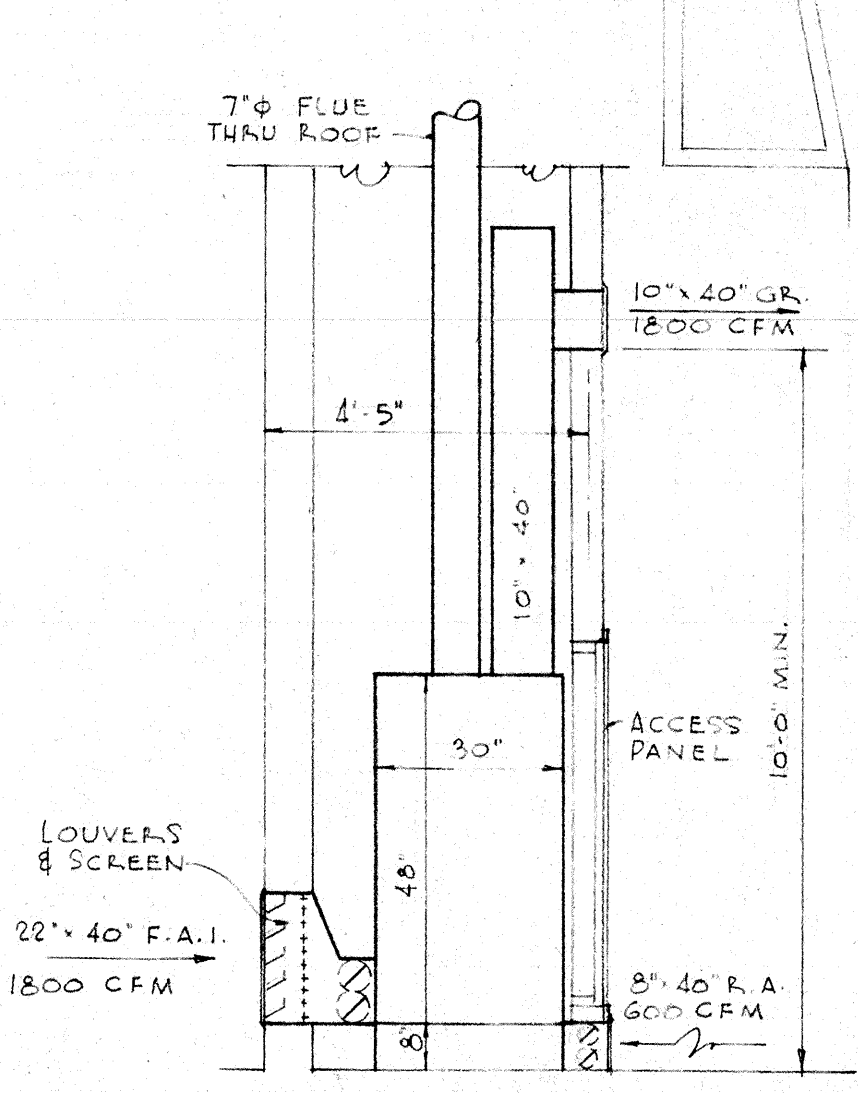


FLOOR PLAN
SCALE: 1/8" = 1'-0"

KITCHEN FLOOR PLAN
SCALE: 1/4" = 1'-0"



SECTION A-A
ASSEMBLY ROOM (35) FURNACE
TYPICAL DETAIL
SCALE: 1/2" = 1'-0"



SECTION B-B
ASSEMBLY HALL (36) FURNACE
TYPICAL DETAIL
SCALE: 3/8" = 1'-0"

HILBURG, BYLER & HENGSTLER
MECHANICAL AND ELECTRICAL
ENGINEERS
257 SOUTH SPRING STREET
LOS ANGELES 12, CALIFORNIA

STATE OF CALIFORNIA
DEPARTMENT OF PUBLIC WORKS
DIVISION OF ARCHITECTURE
APPROVED: 7-22-48
5743
Ernest L. McCoy

BAKERSFIELD CITY SCHOOLS
1600 S. ST. BAKERSFIELD, CALIF.
BOARD OF EDUCATION
APPROVED: 7/20 1948
PRESIDENT: Ernest L. McCoy A.I.A.
SECRETARY: [Name]

MECHANICAL
ELEMENTARY SCHOOL
BAKERSFIELD CITY SCHOOL DISTRICT
PIONEER DRIVE
BAKERSFIELD, CALIFORNIA
C-335
ERNEST L. MCCOY A.I.A.
ARCHITECT
1612 19TH ST.
BAKERSFIELD, CALIFORNIA

DATE: 4/16/48
DRAWN BY: [Name]
CHECKED: [Name]
SHEET NO: M-2
OF 3 SHEETS