

**ROBERT F. STUHR
ARCHITECT INC.**
3121 CALIFORNIA AVE
BAKERSFIELD, CA
93304 (805) 327-1652

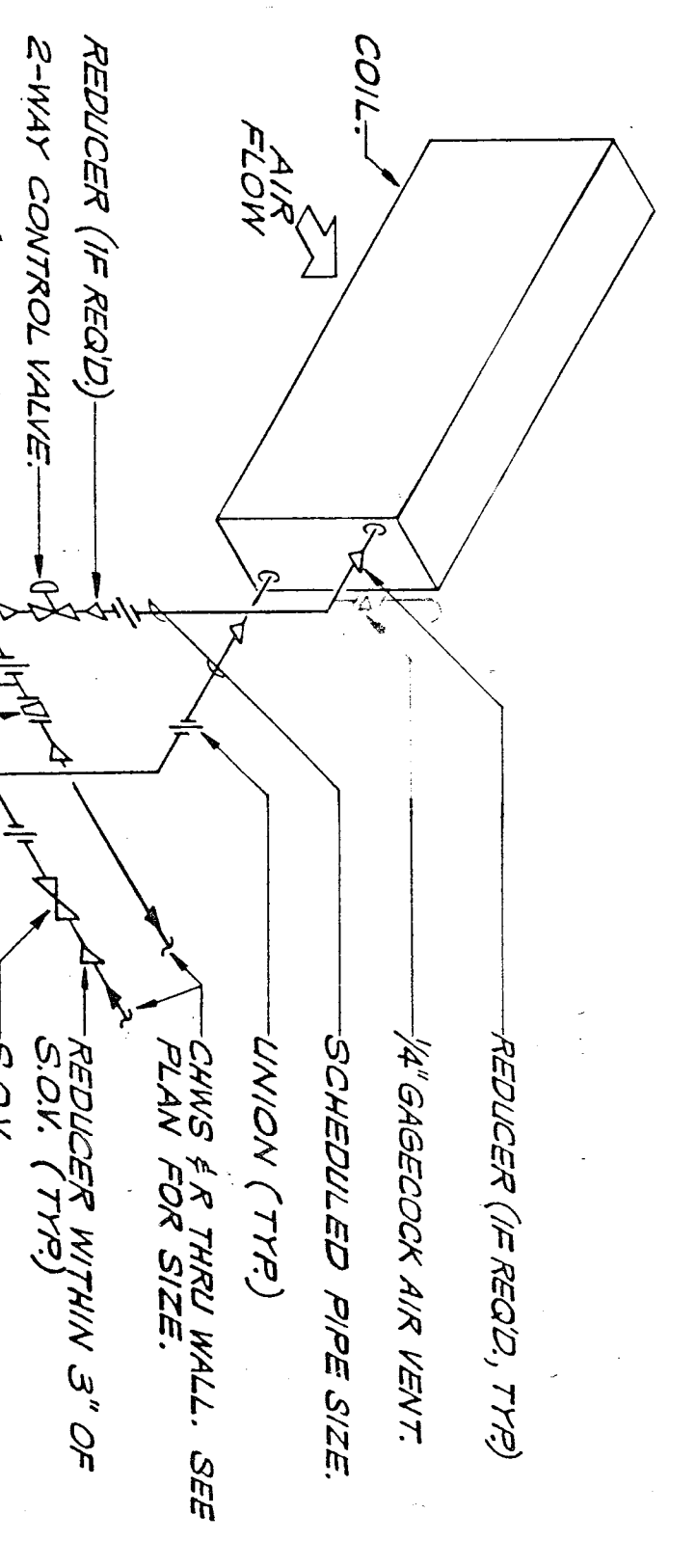
ROBERT F. STUHR, AIA C-1610
WILLIAM J. MELBY, AIA C-16835
DANNY E. ORDLIE, AIA C-14728

Donald R. Lawrence & Associates
CONSULTING MECHANICAL ENGINEERS INCORPORATED
1000 W. STATE STREET, SUITE 200
BAKERSFIELD, CALIFORNIA 93311
(805) 327-1652

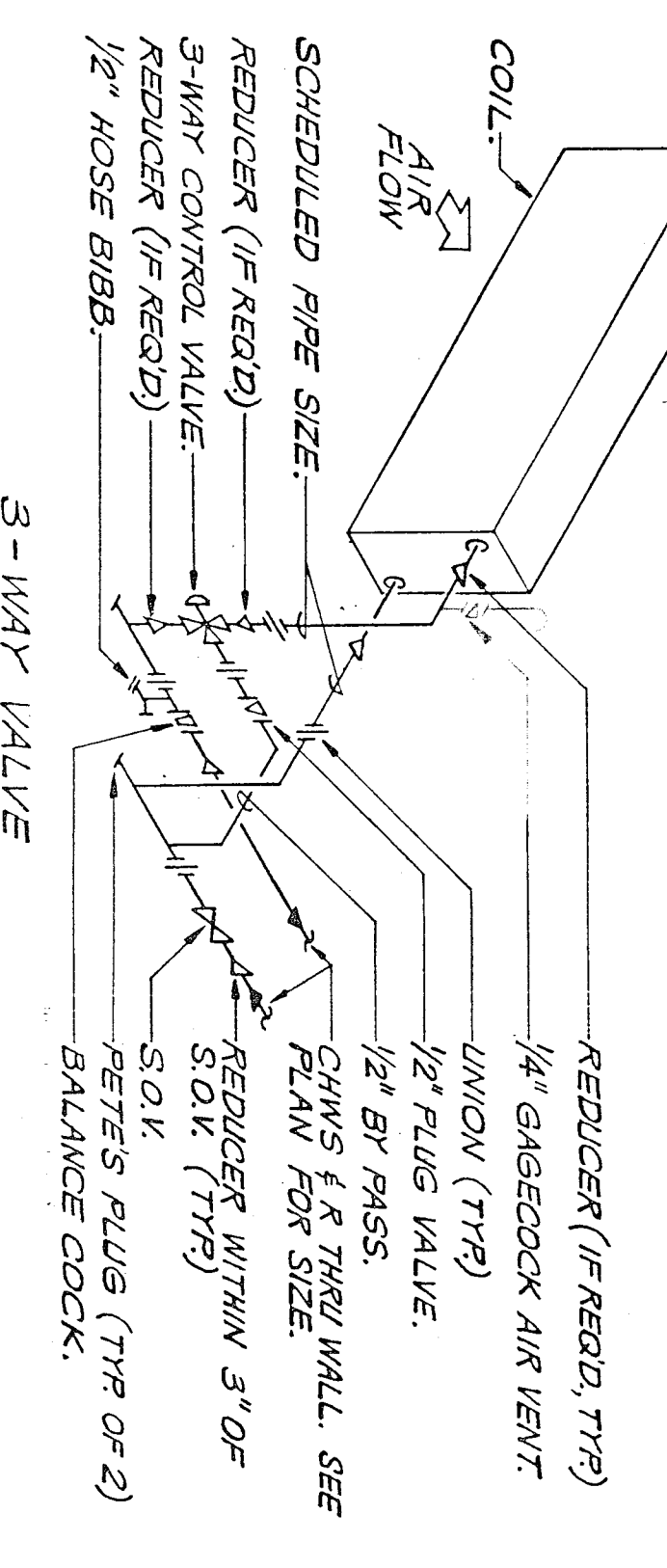
AIR CONDITIONING DETAILS
PIONEER DRIVE SCHOOL MODERNIZATION
BAKERSFIELD CITY SCHOOL DISTRICT
BAKERSFIELD, KERN COUNTY, CALIFORNIA

CHECK AND VERIFY ALL DIMENSIONS BEFORE PROCEEDING DISCREPANCIES TO THE ARCHITECT ALL CONSTRUCTION SHALL CONFORM TO UBC.

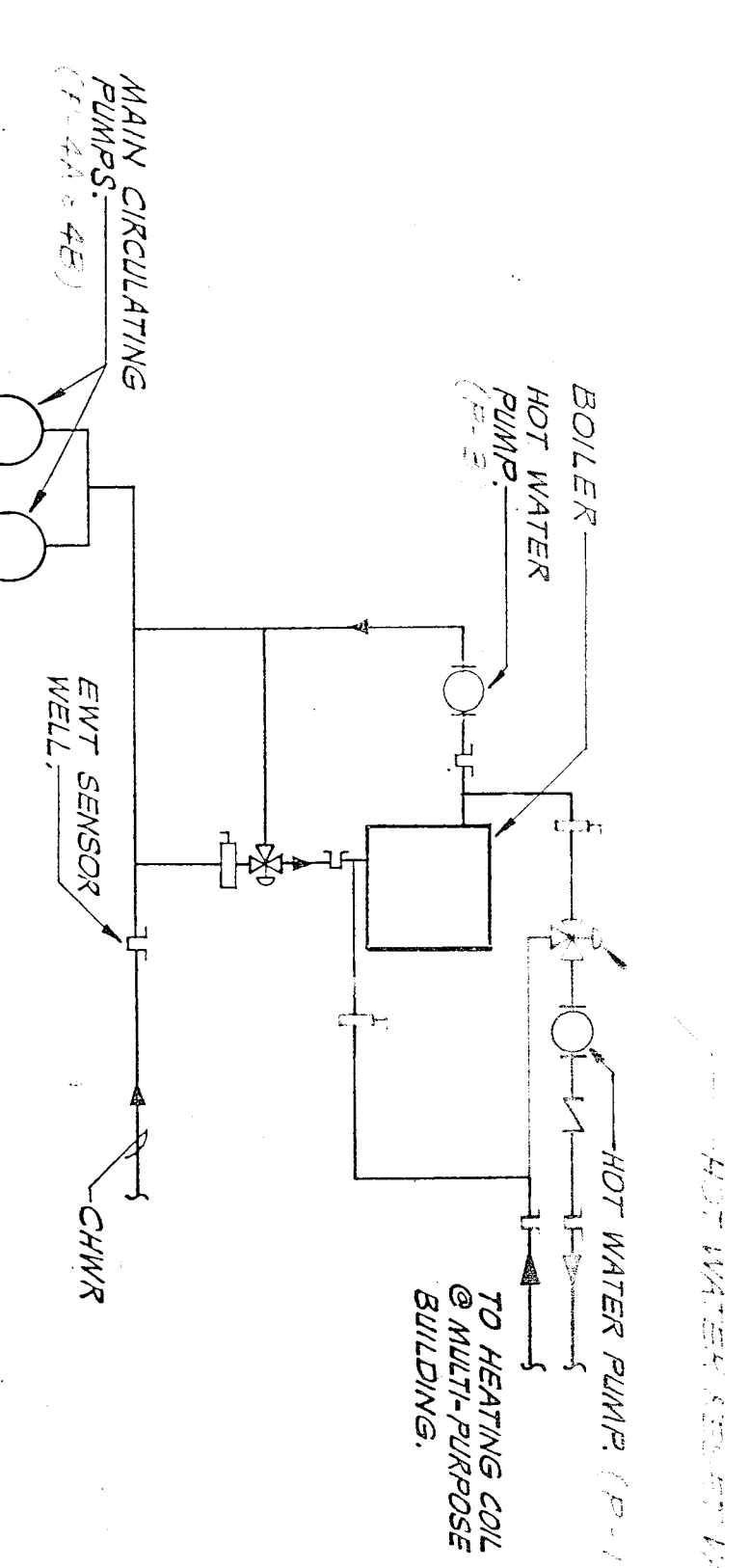
MARK	DATE	REVISIONS
Δ		
Δ		
Δ		



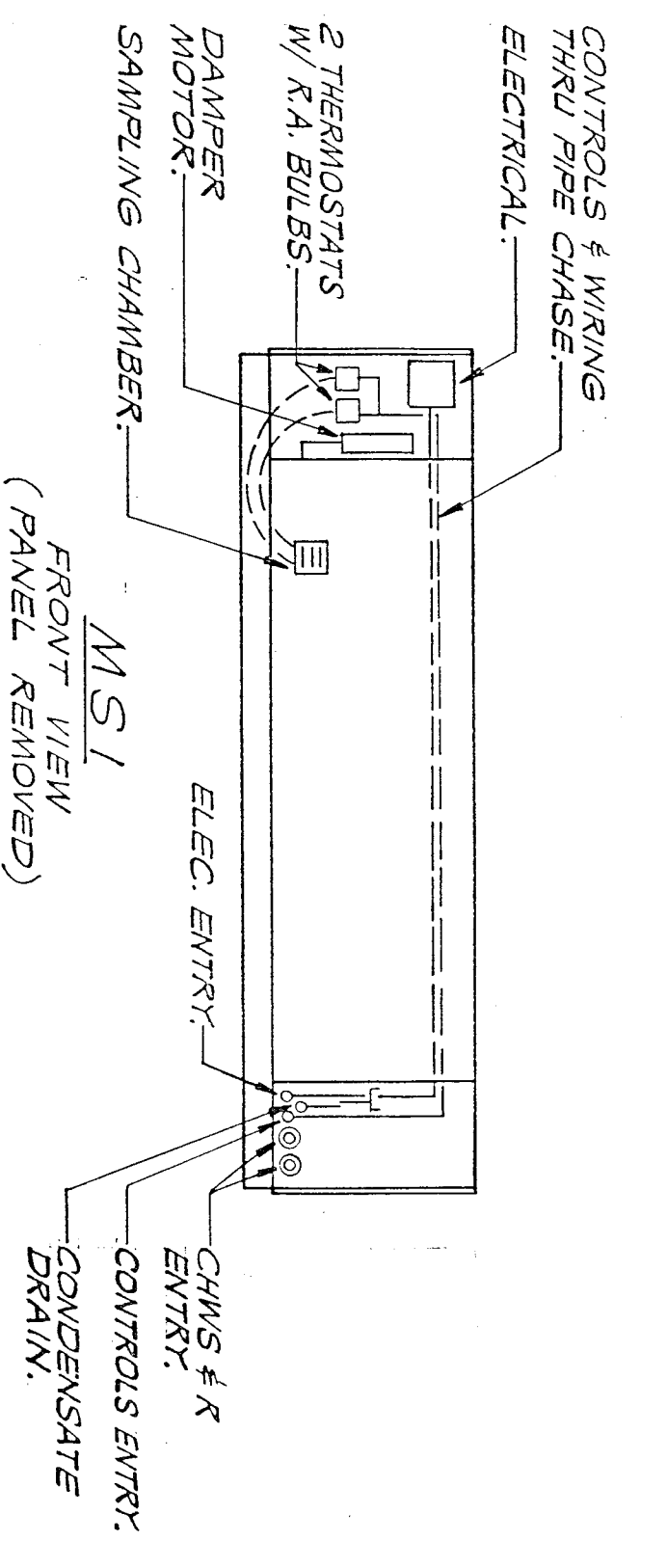
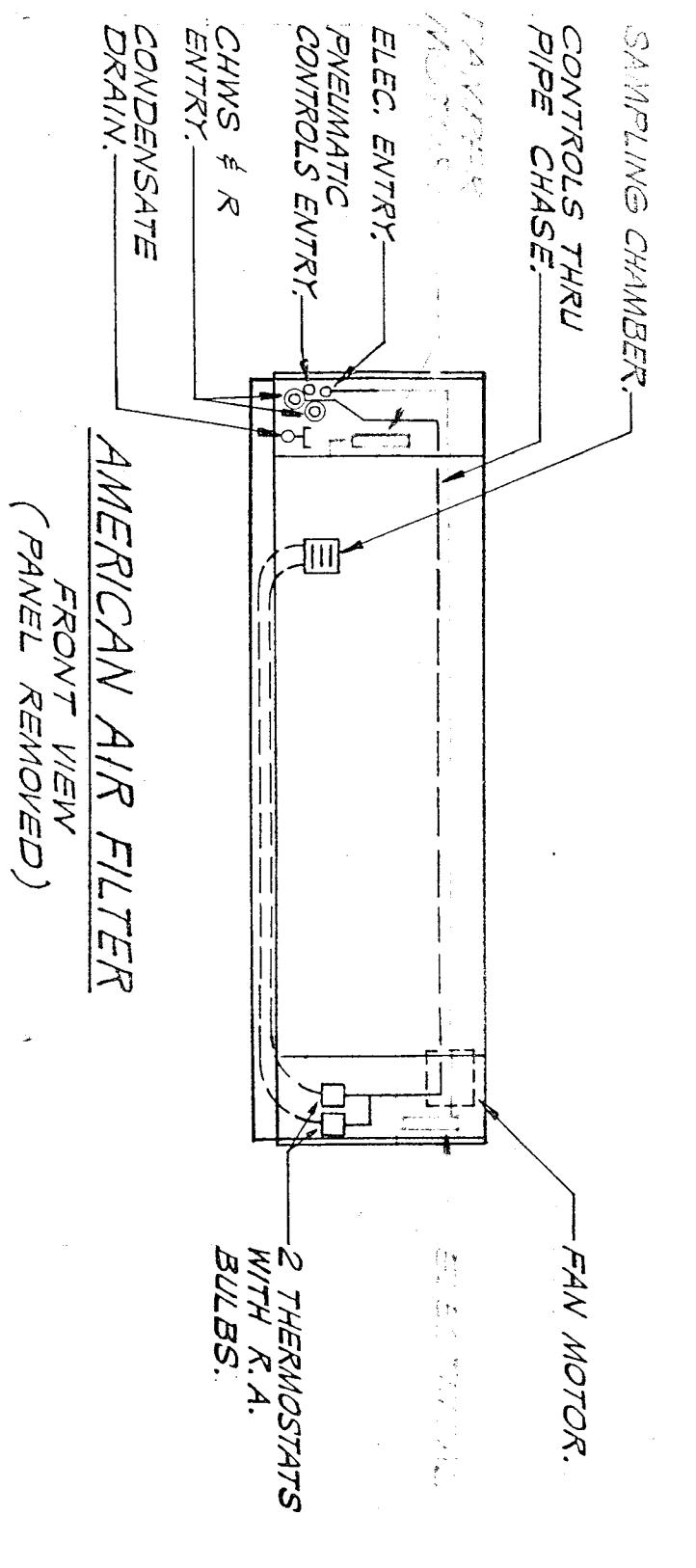
NOTE: COUPLER TO BE ONE OF EACH ASSEMBLY FOR ENGINEERS REVIEW.



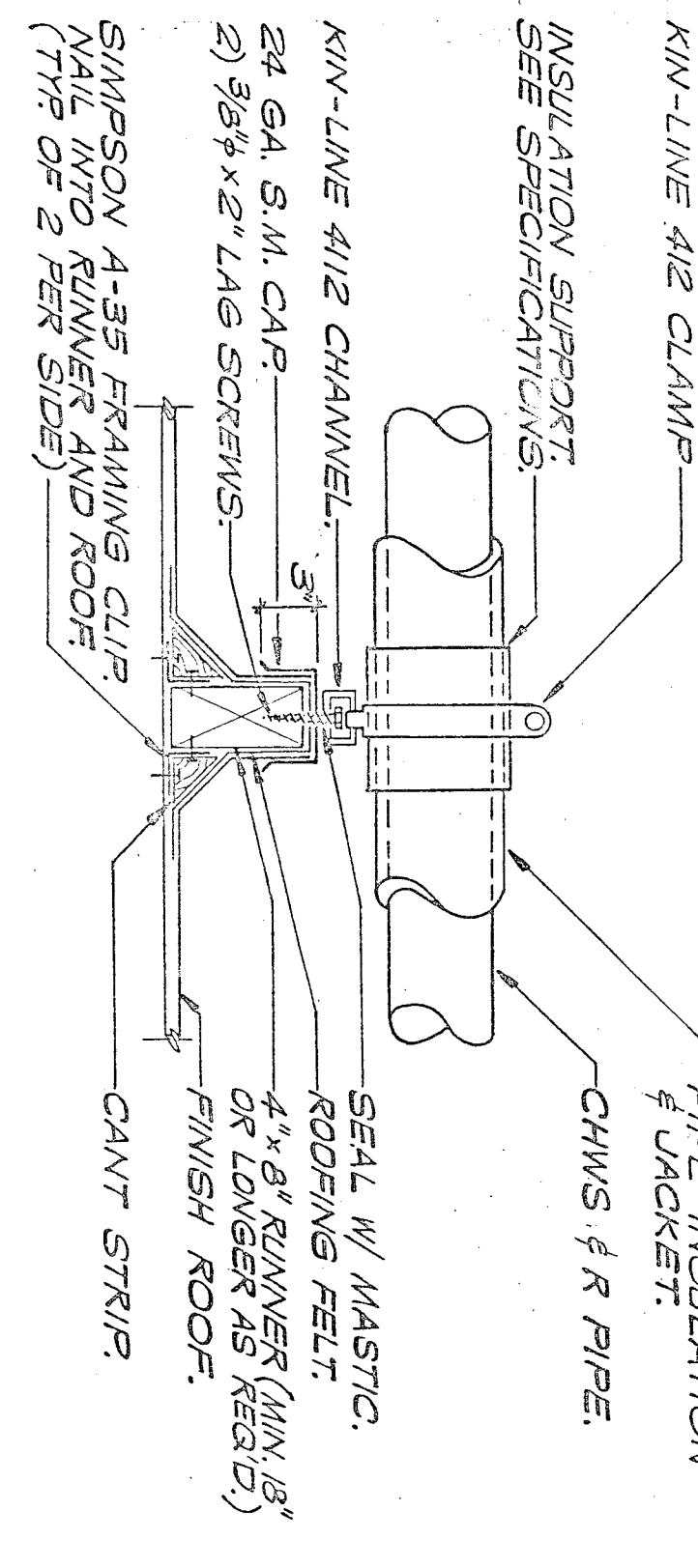
UNIT VENTILATOR PIPING DETAIL
SCALE: NONE



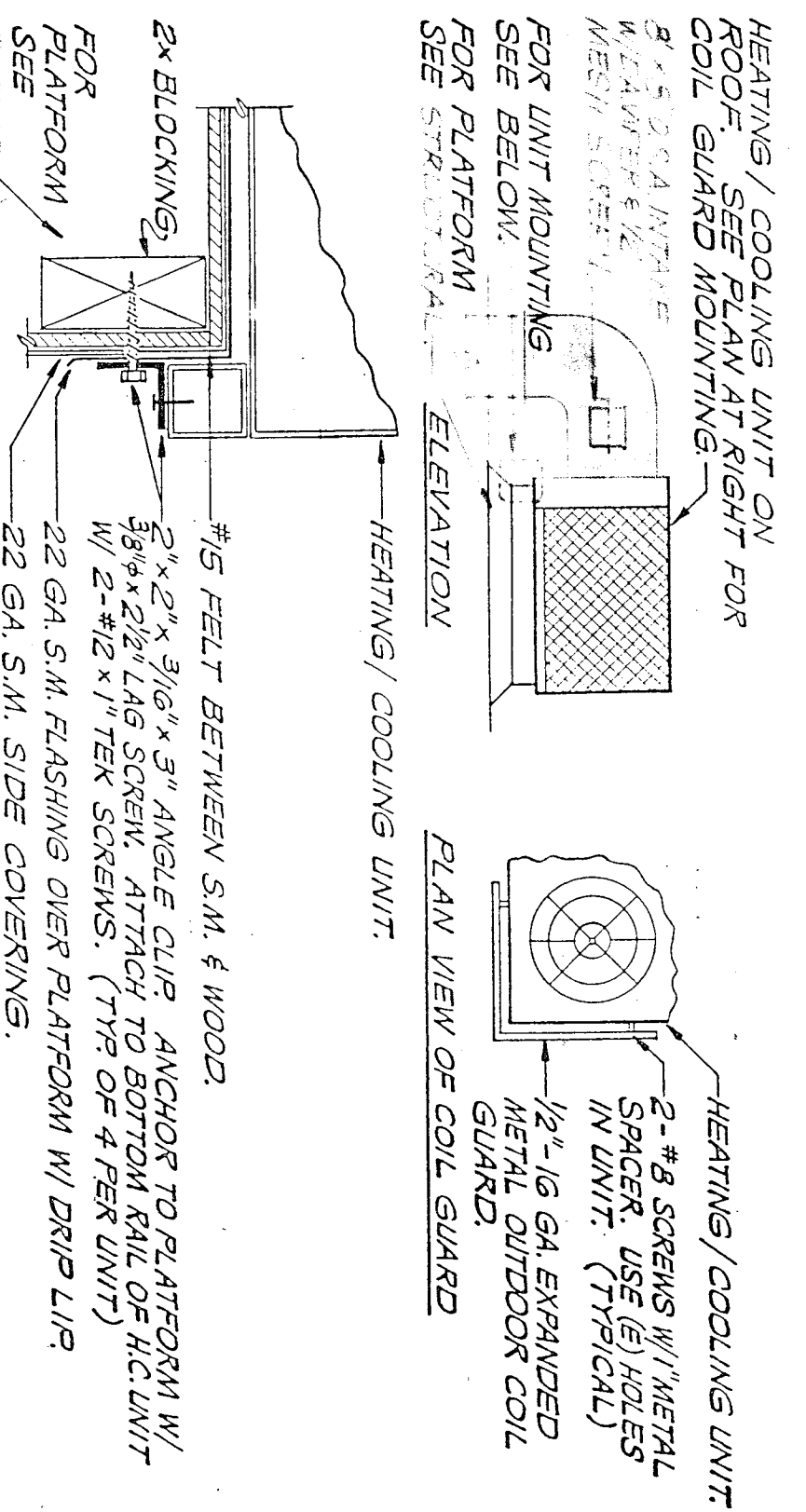
CENTRAL PLANT PIPING SCHEMATIC
SCALE: NONE



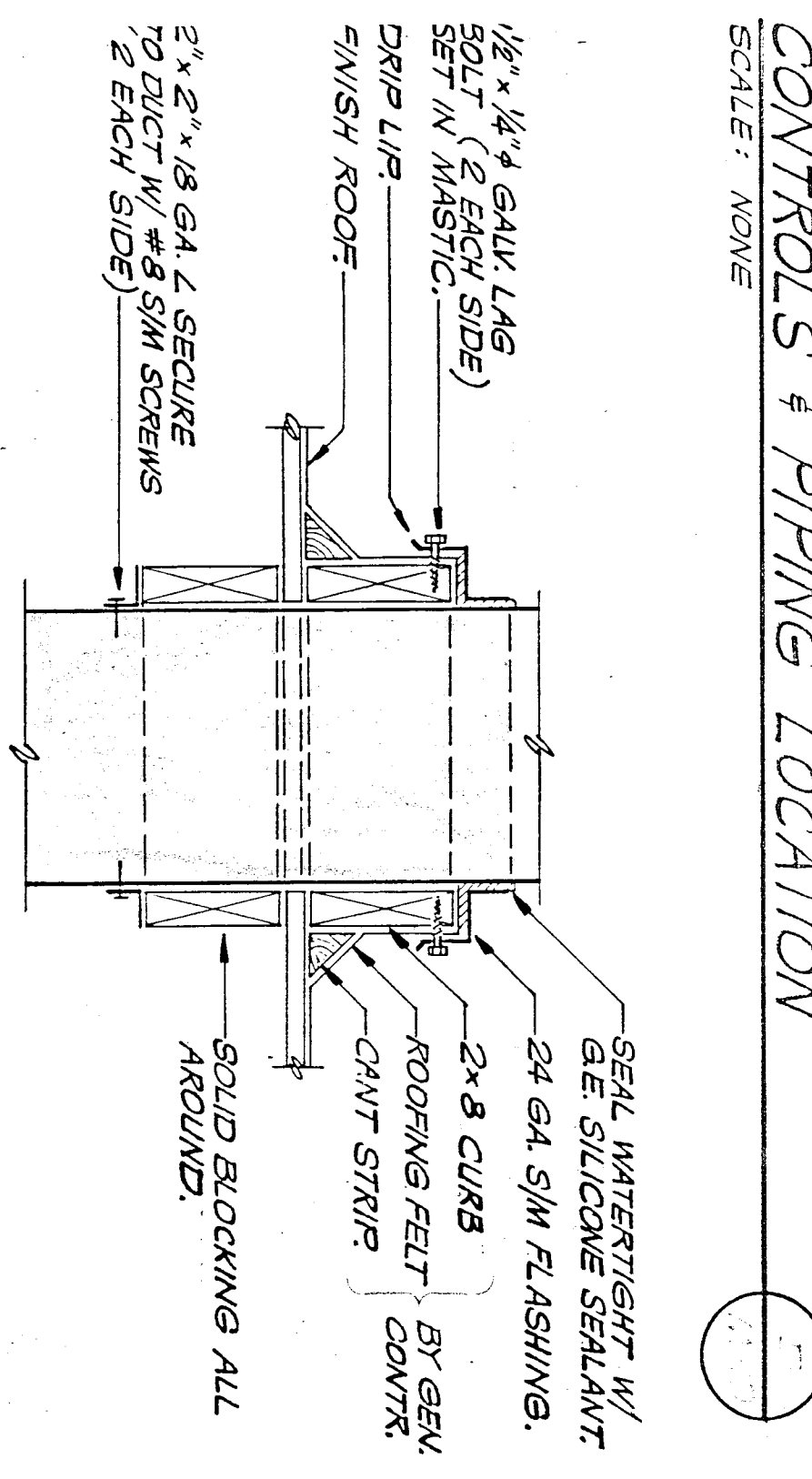
DUCT THRU WALL PENETRATION
SCALE: NONE



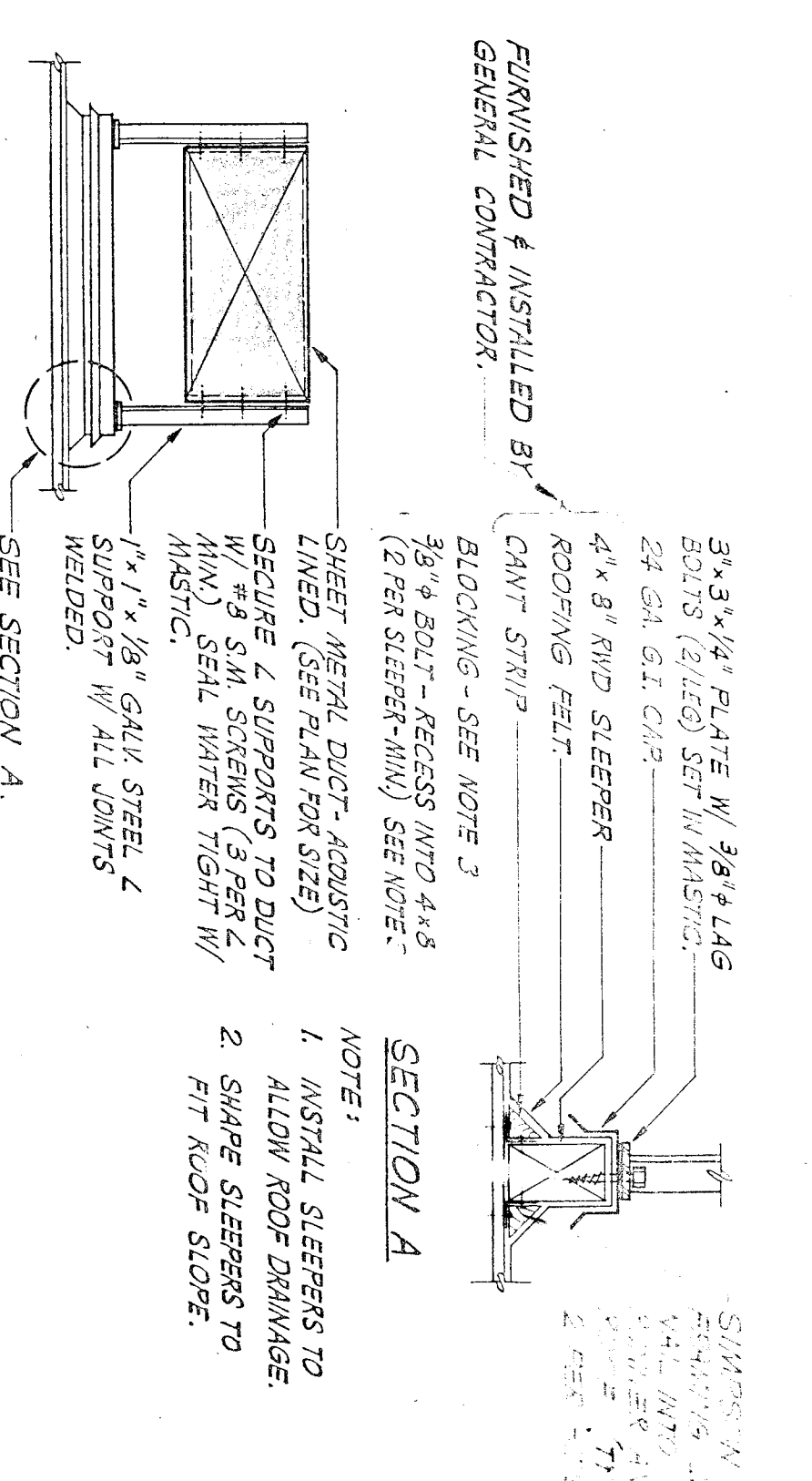
PIPE SUPPORT ON ROOF
SCALE: NONE



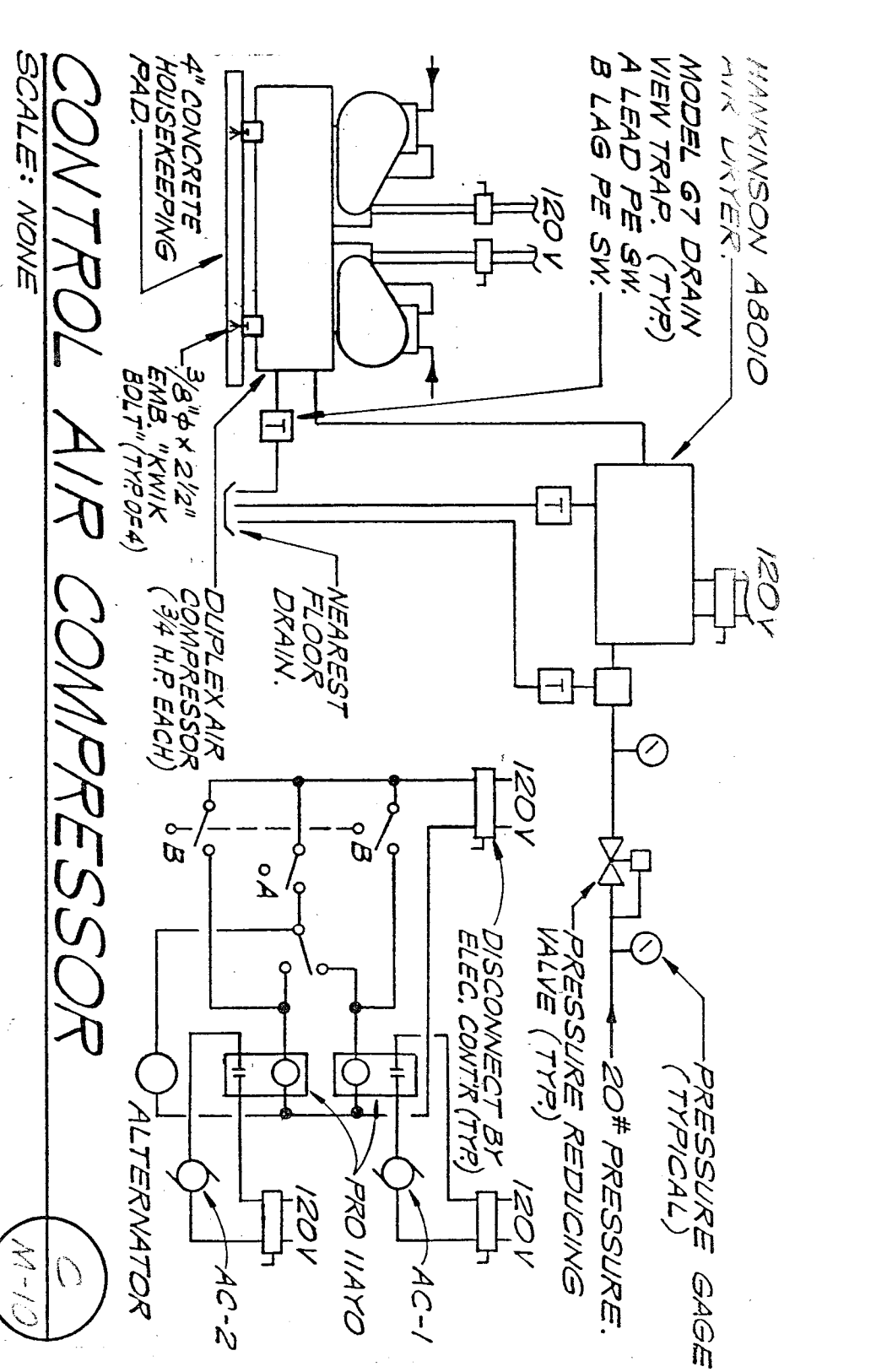
SECTION AT H.C. UNIT ON ROOF
SCALE: NONE



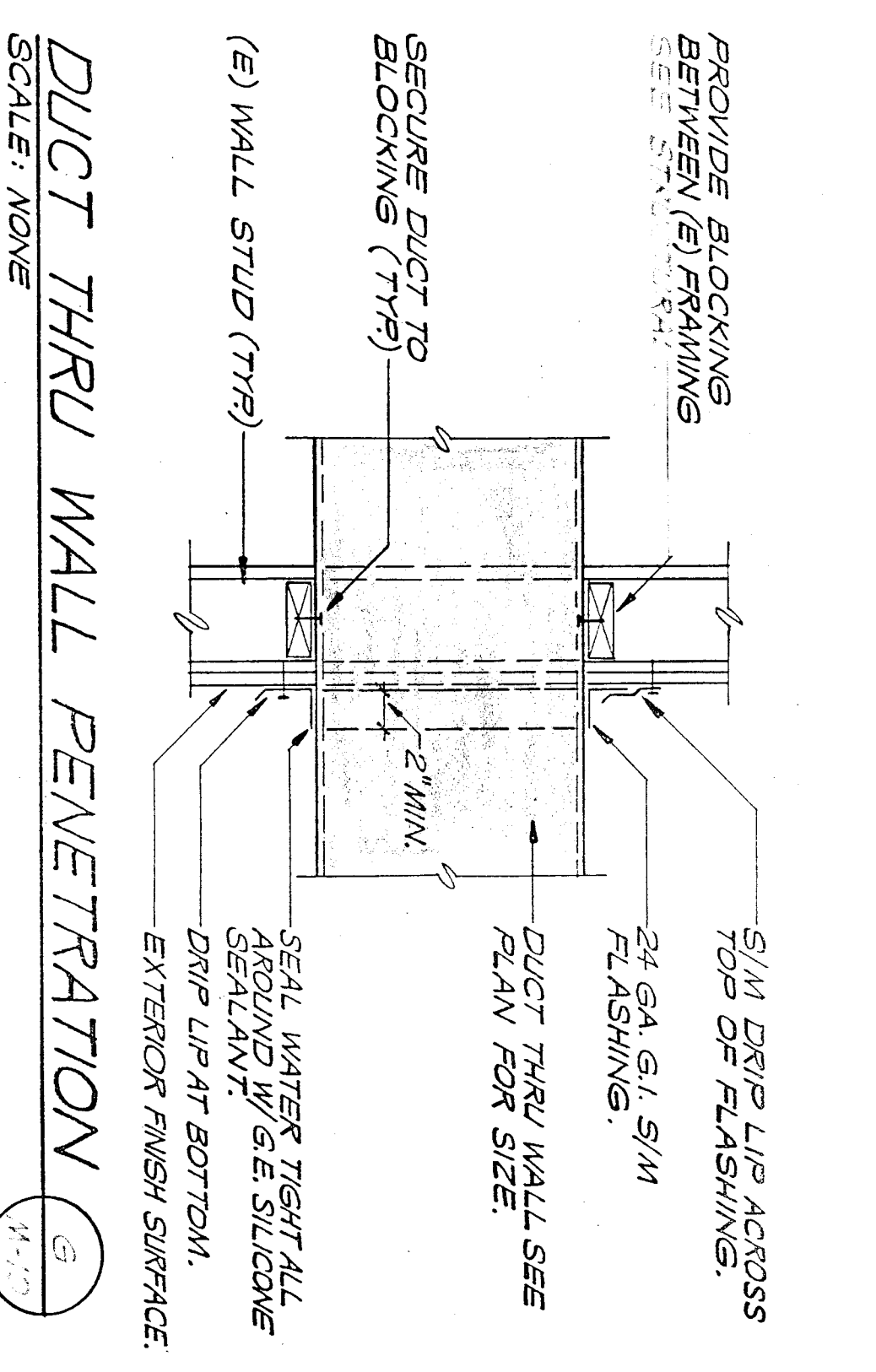
ROOF PENETRATION DETAIL
SCALE: NONE



TYPICAL DUCT ON ROOF
SCALE: NONE



CONTROL AIR COMPRESSOR
SCALE: NONE



DUCT THRU WALL PENETRATION
SCALE: NONE