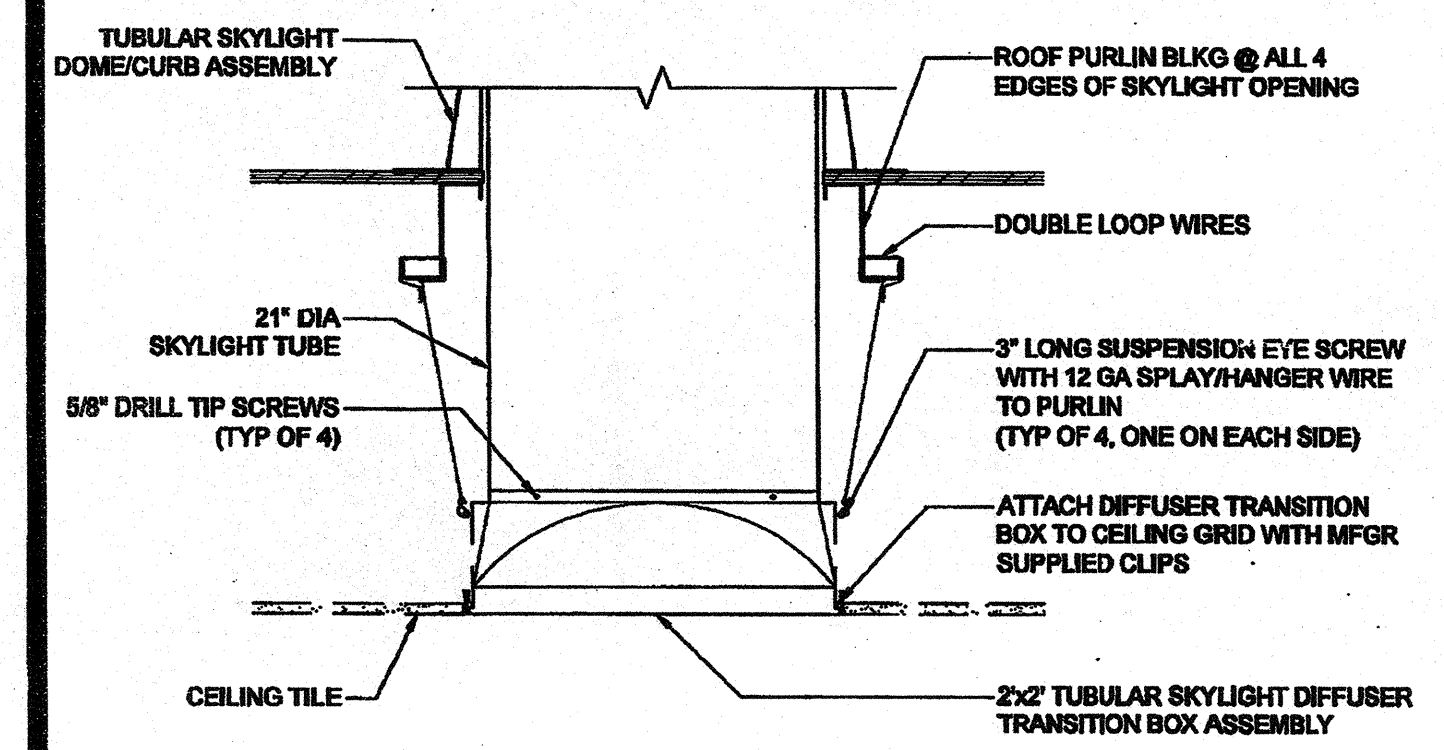
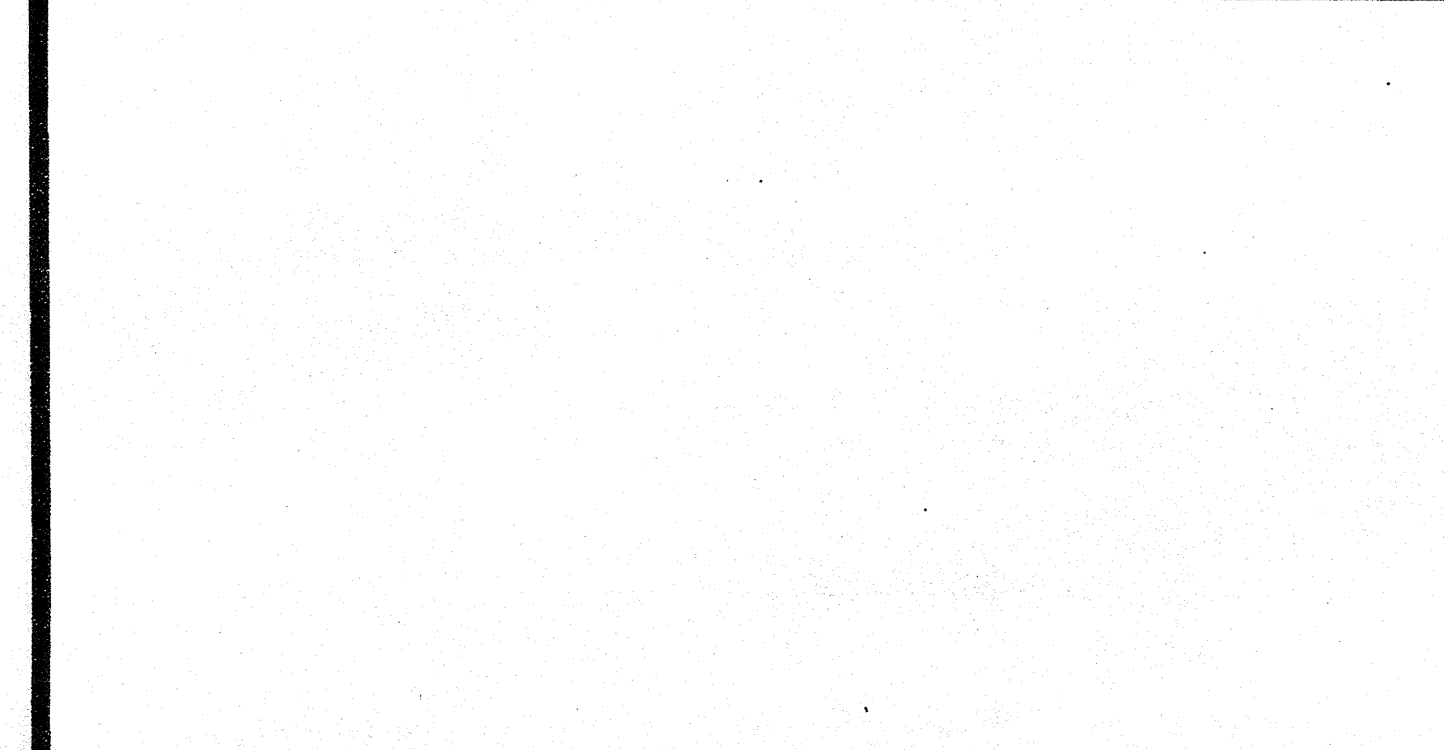


TUBULAR SKYLIGHT SECTION SCALE: 1" = 1'-0"



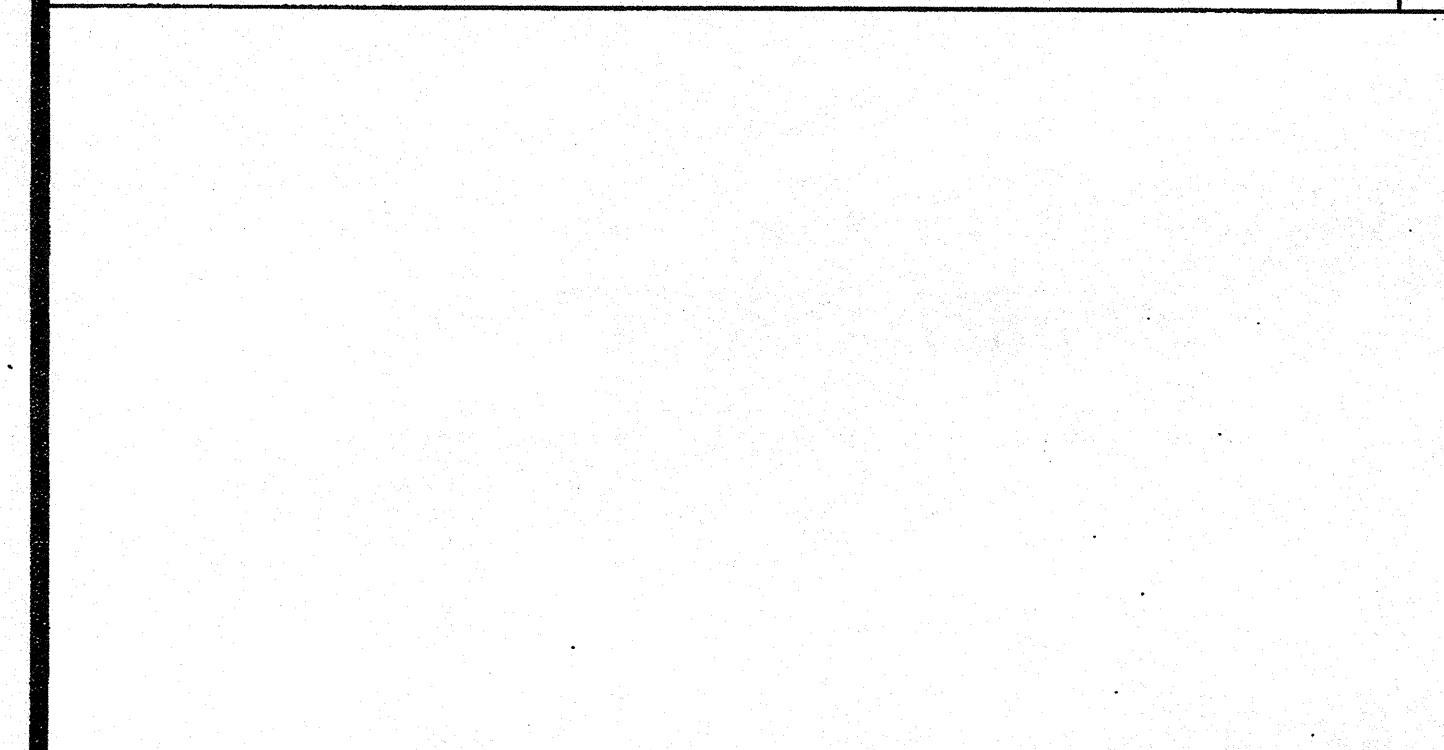
TUBULAR SKYLIGHT DIFFUSER SECTION SCALE: 1" = 1'-0"



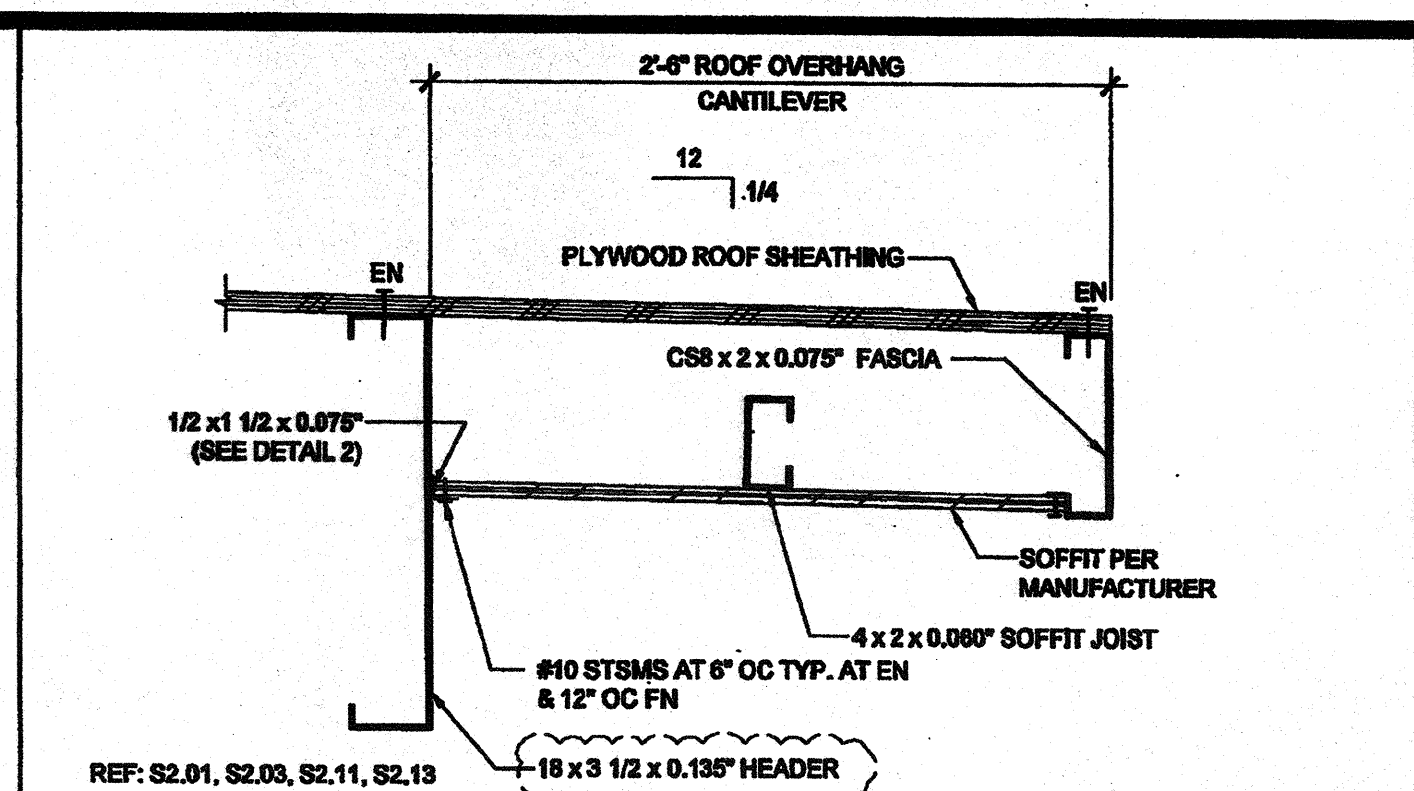
FRONT OVERHANG SECTION - MONO SLOPE SCALE: 3/4" = 1'-0"



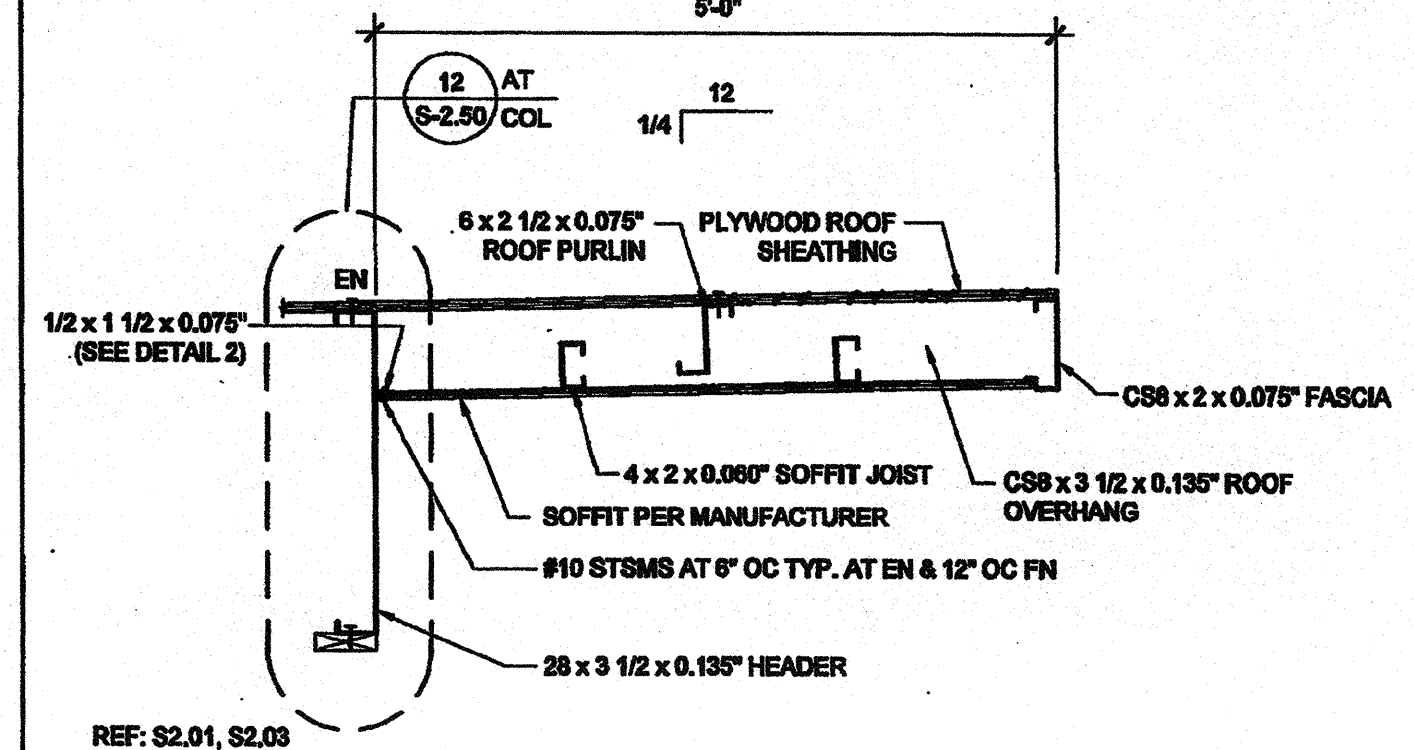
FRONT OVERHANG SECTION - DUAL SLOPE SCALE: 3/4" = 1'-0"



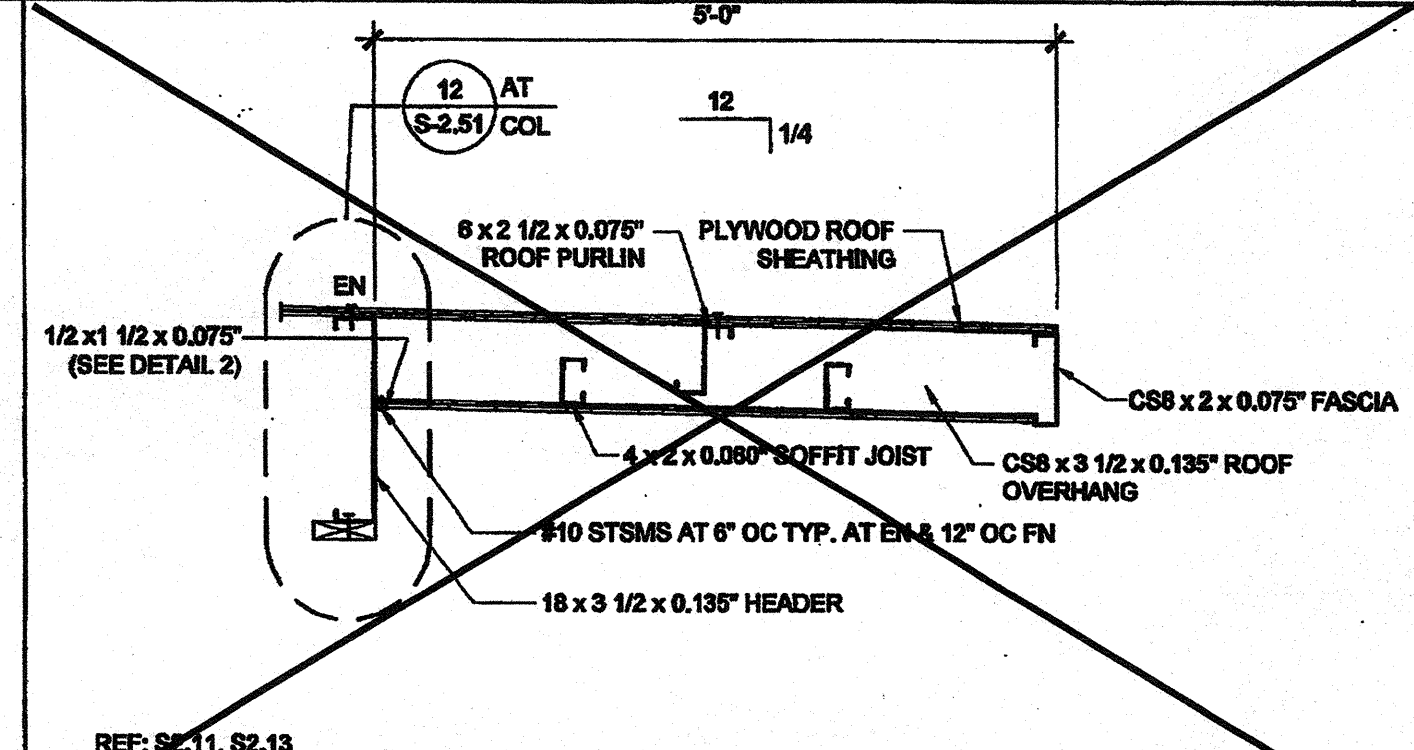
5'-0" ROOF OVERHANG AT 0.030" ROOF SCALE: 3/4" = 1'-0"



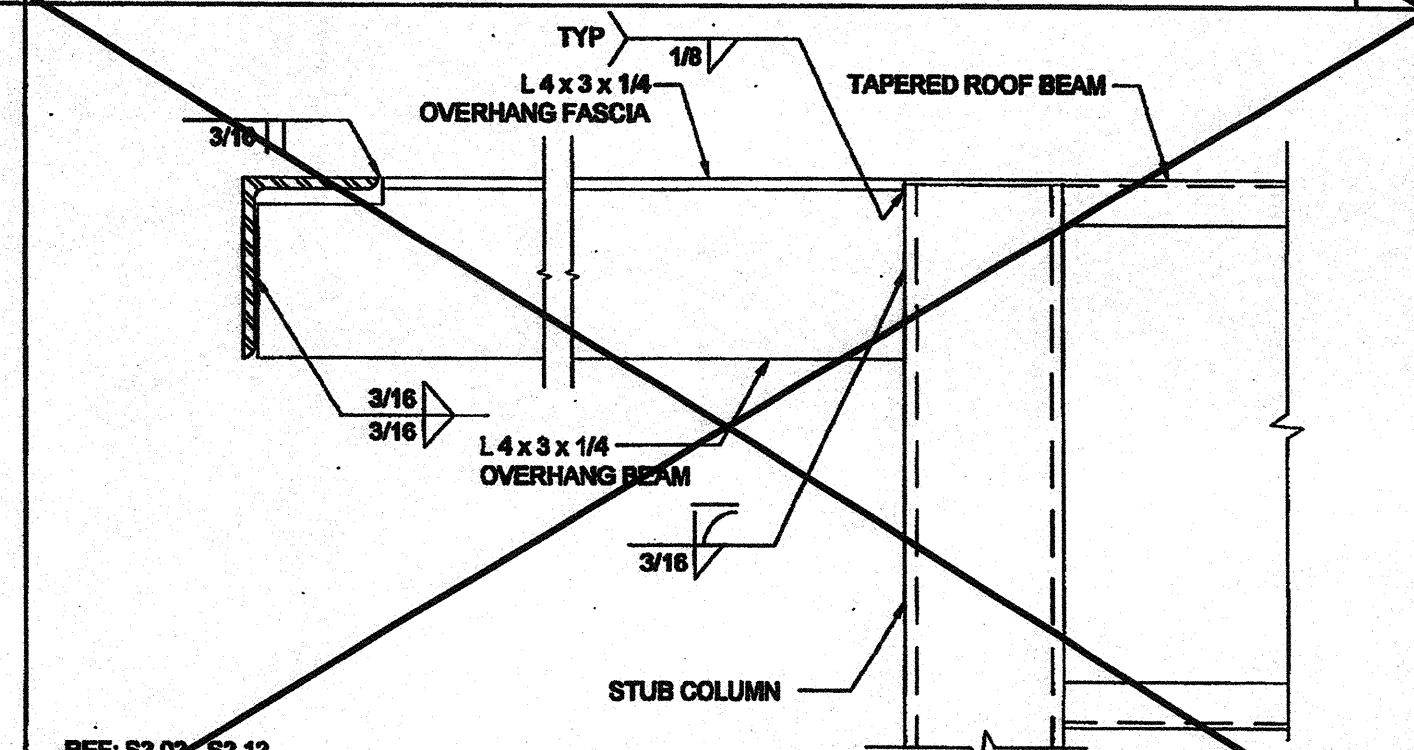
REAR OVERHANG SECTION SCALE: 1 1/2" = 1'-0"



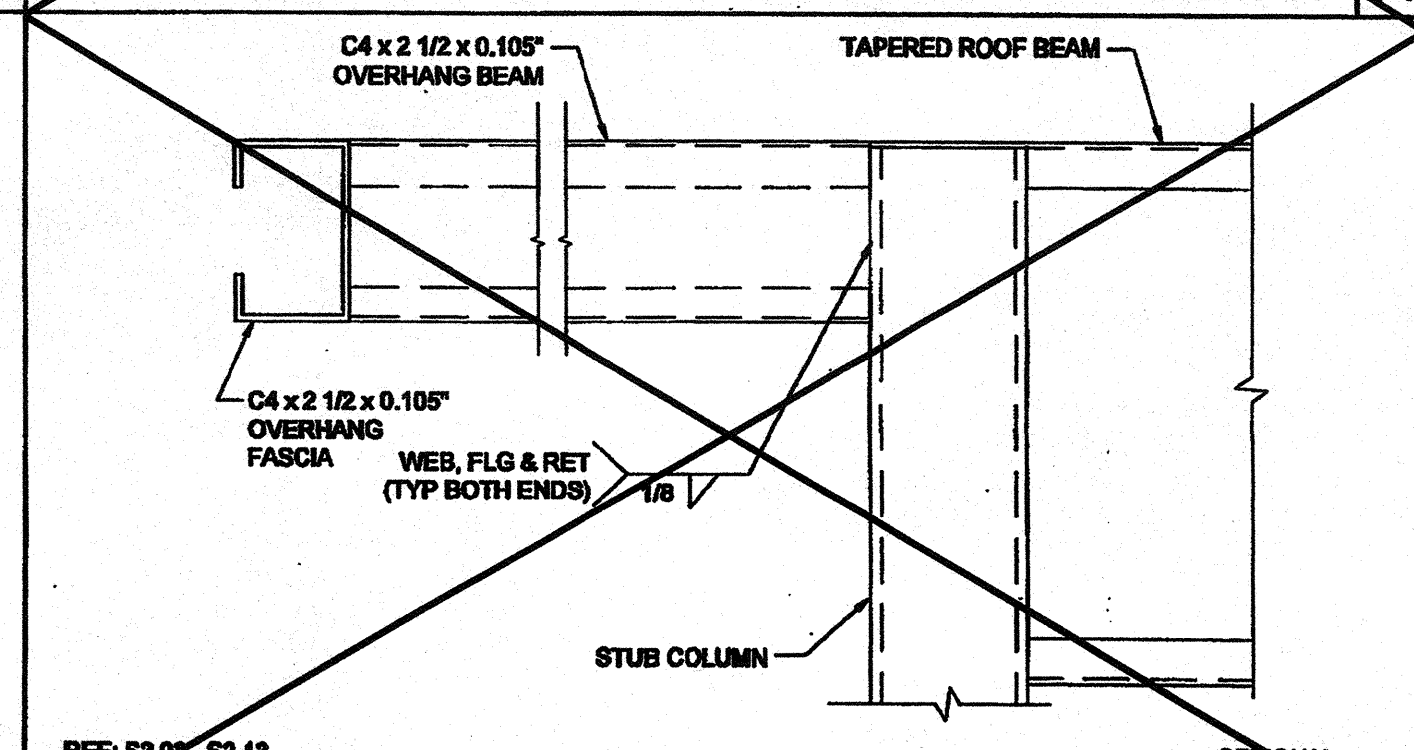
FRONT OVERHANG SECTION - MONO SLOPE SCALE: 3/4" = 1'-0"



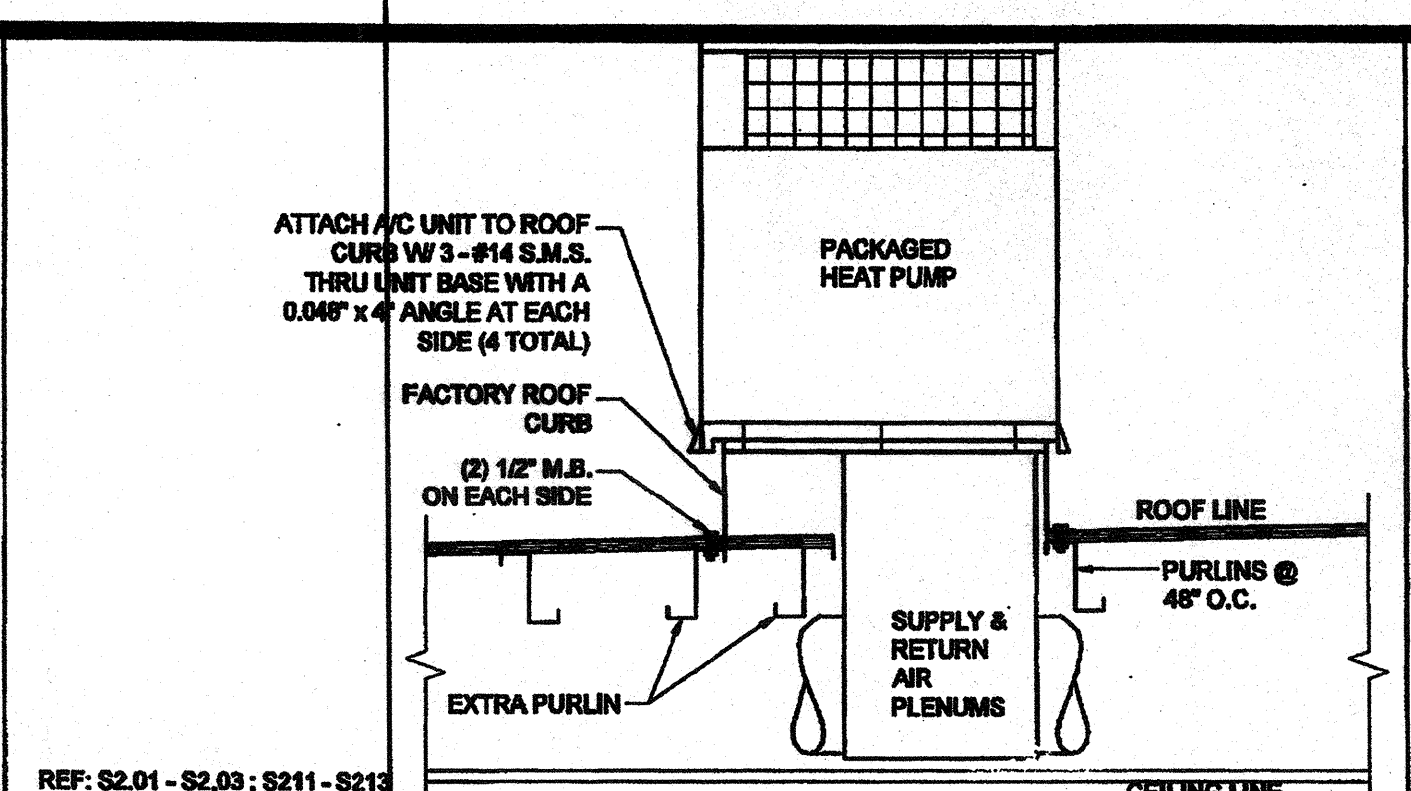
FRONT OVERHANG SECTION - DUAL SLOPE SCALE: 3/4" = 1'-0"



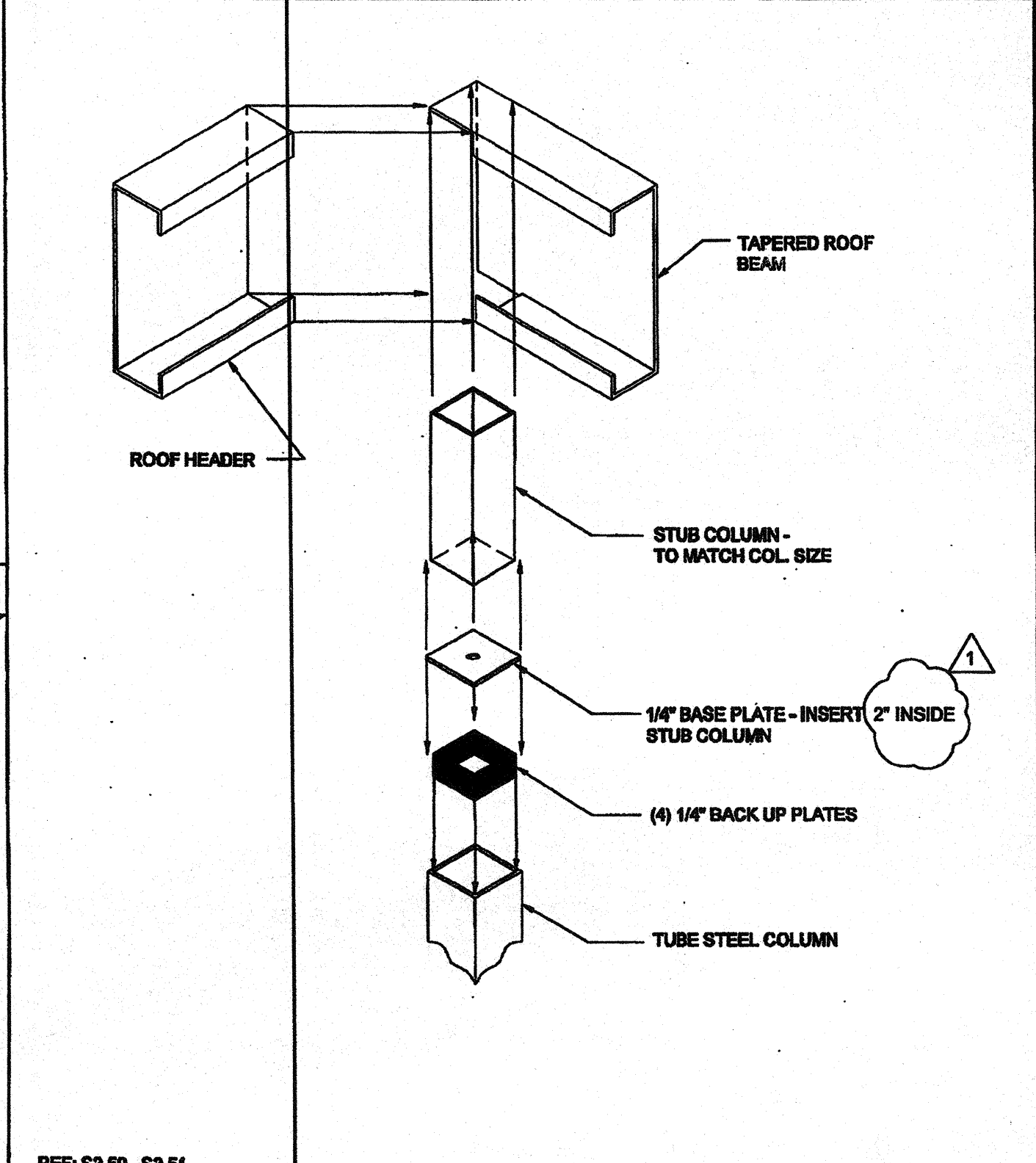
5'-0" ROOF OVERHANG AT 0.030" ROOF SCALE: 3/4" = 1'-0"



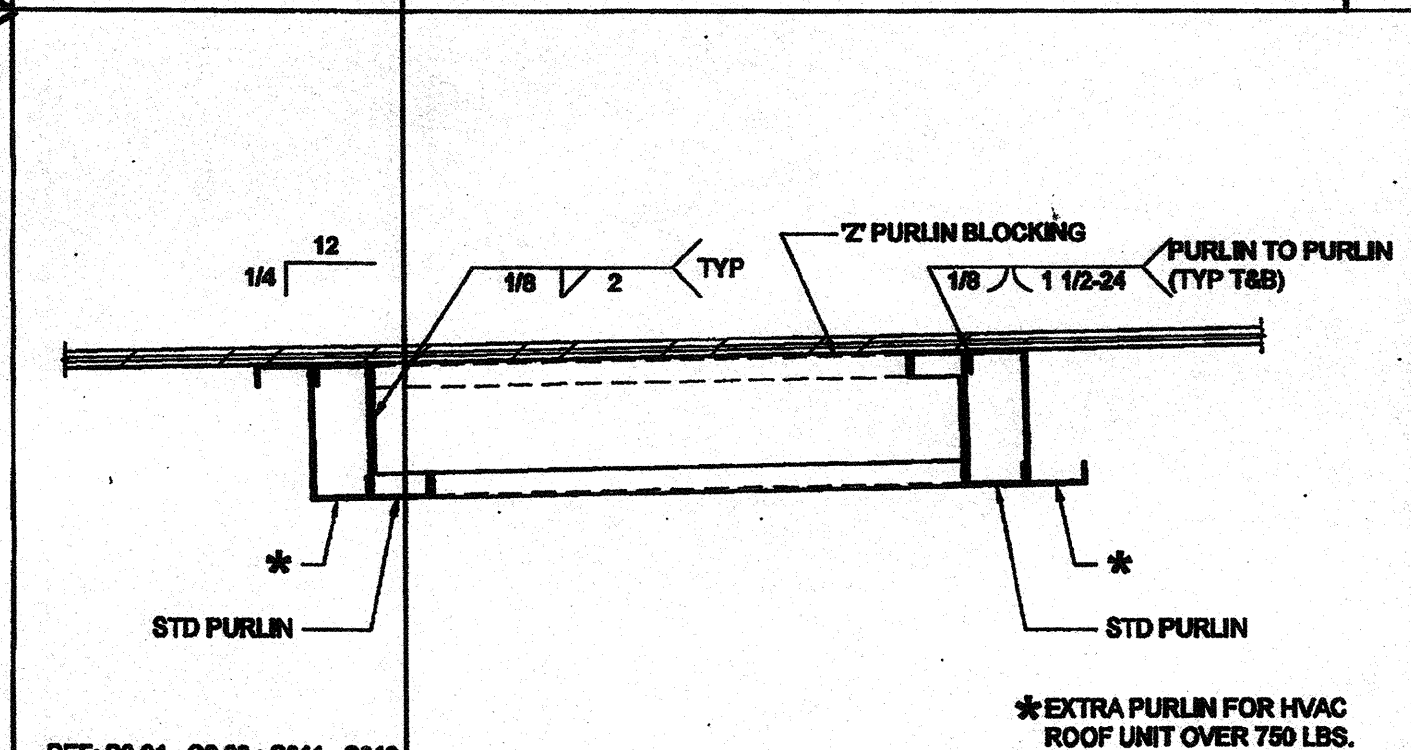
5'-0" ROOF OVERHANG AT 0.030" ROOF SCALE: 3/4" = 1'-0"



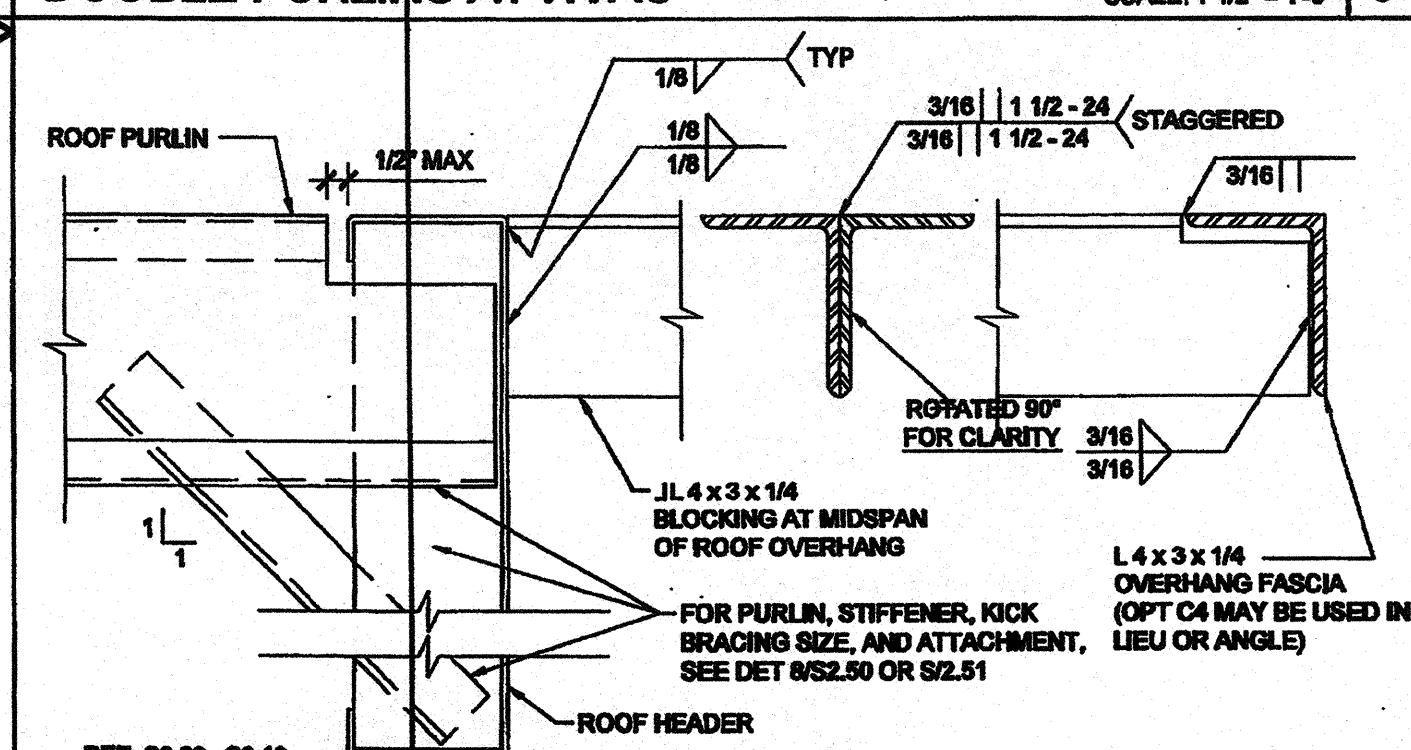
HVAC CURB ATTACHMENT SCALE: 3/4" = 1'-0"



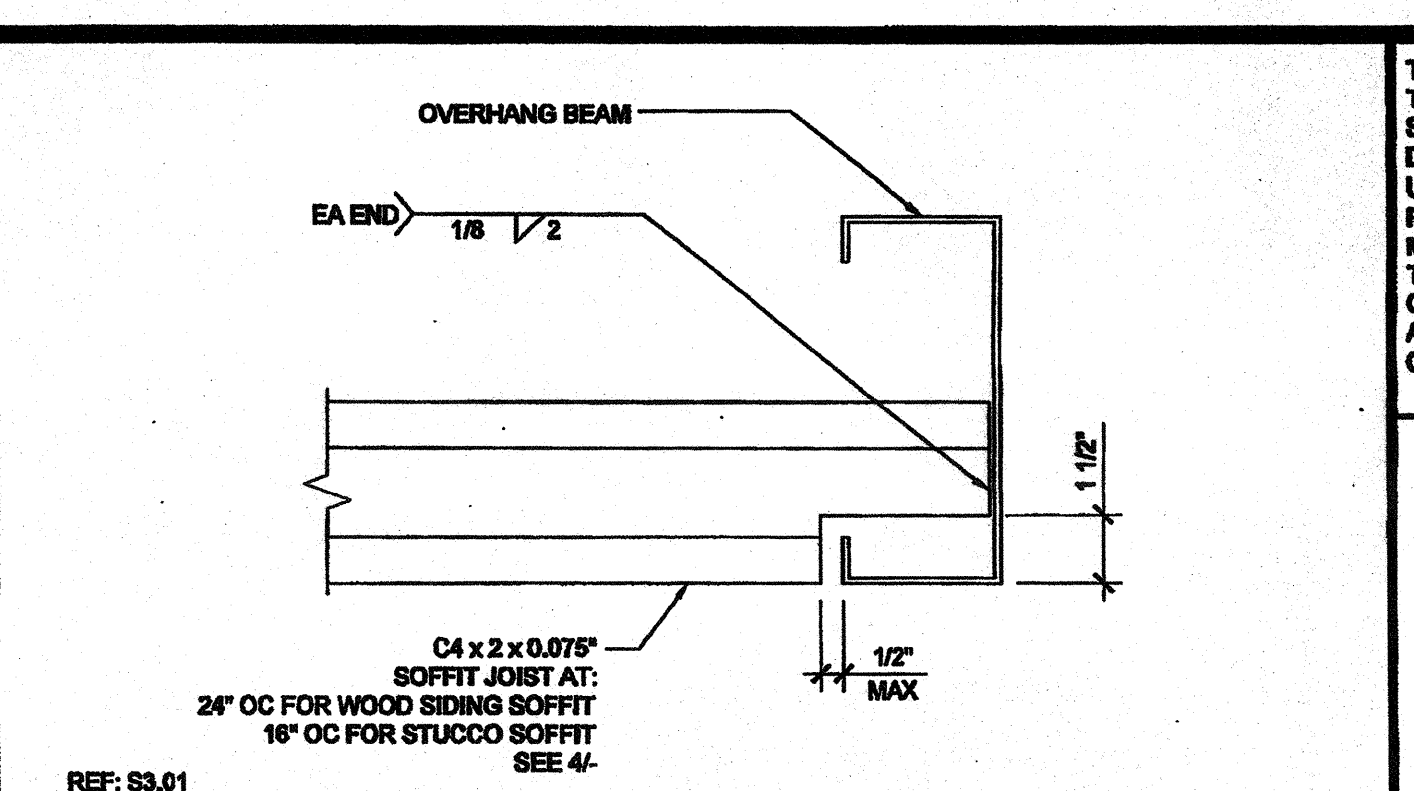
COLUMN CONNECTION AT ROOF SCALE: NTS



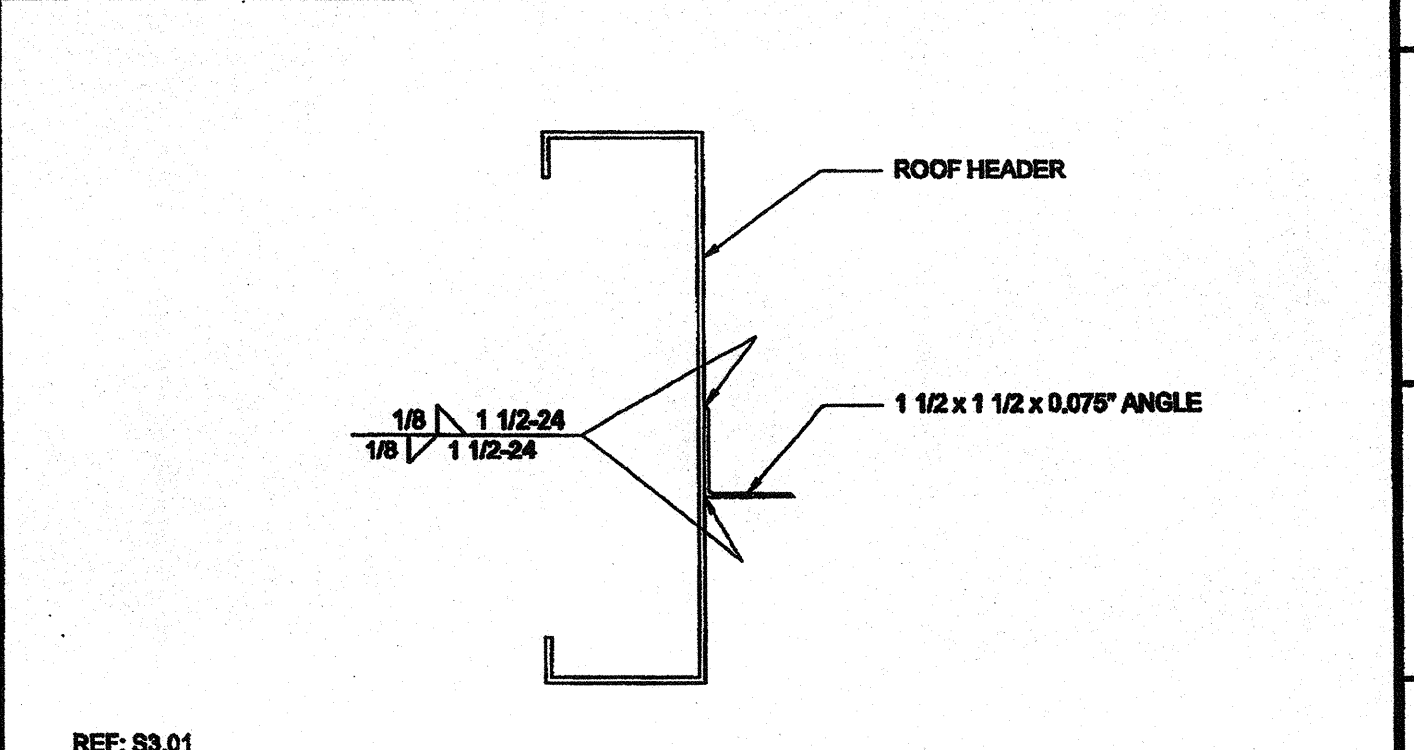
DOUBLE PURLINS AT HVAC SCALE: 1 1/2" = 1'-0"



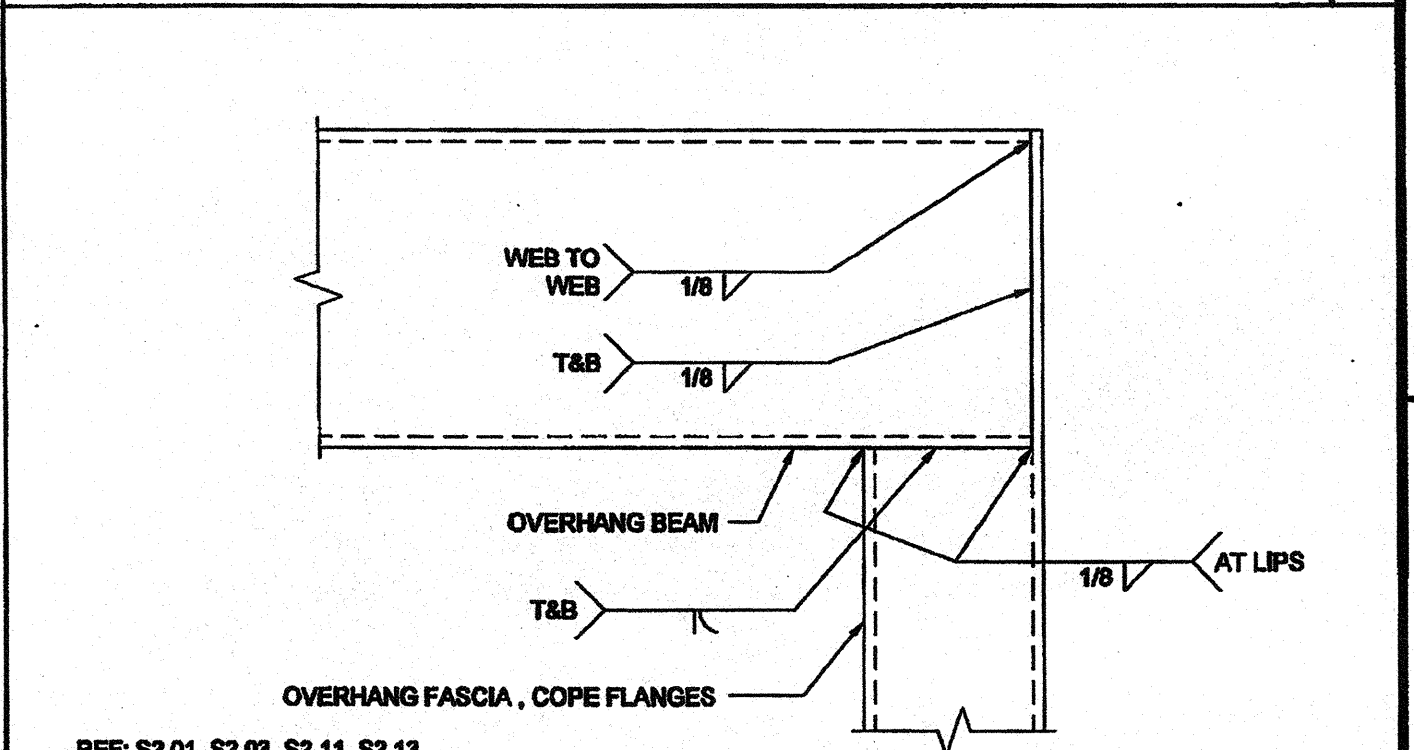
OVERHANG SUPPORT TO ROOF HDR @ STIFFENER SCALE: 3/4" = 1'-0"



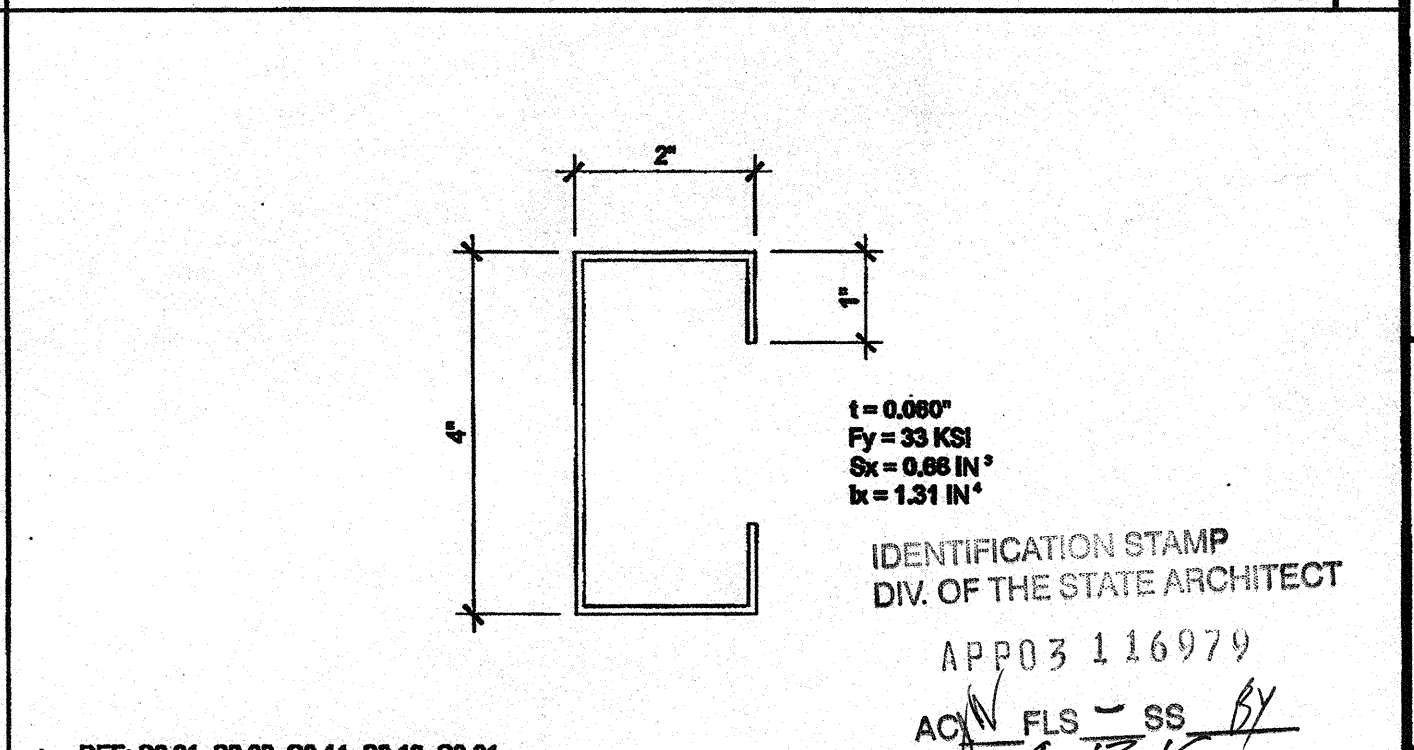
SOFFIT JOIST TO OVERHANG BEAM SCALE: 3/4" = 1'-0"



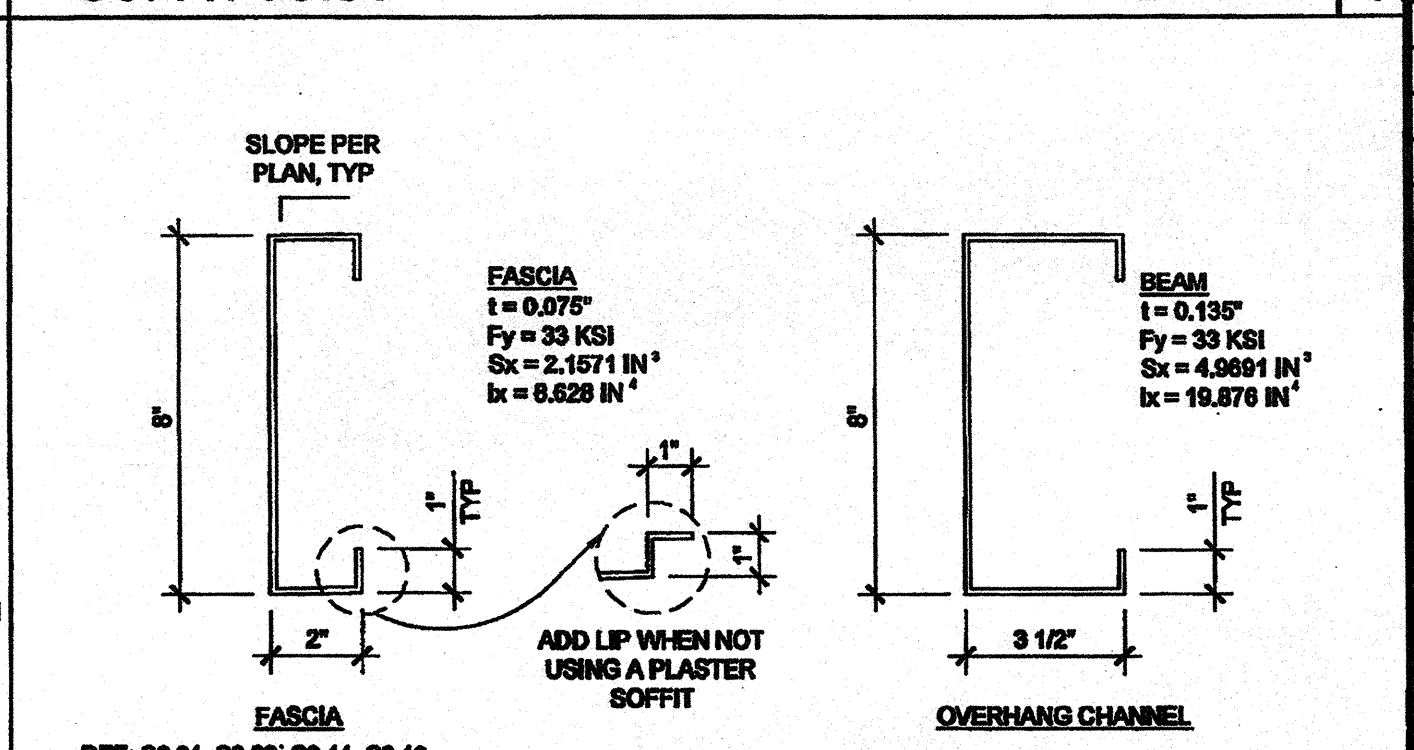
SOFFIT ANGLE TO HEADER CONNECTION SCALE: 3/4" = 1'-0"



OVERHANG FASCIA TO BEAM CONNECTION SCALE: 3/4" = 1'-0"



SOFFIT JOIST SCALE: 3/4" = 1'-0"



OVERHANG FASCIA & BEAM SCALE: 3/4" = 1'-0"

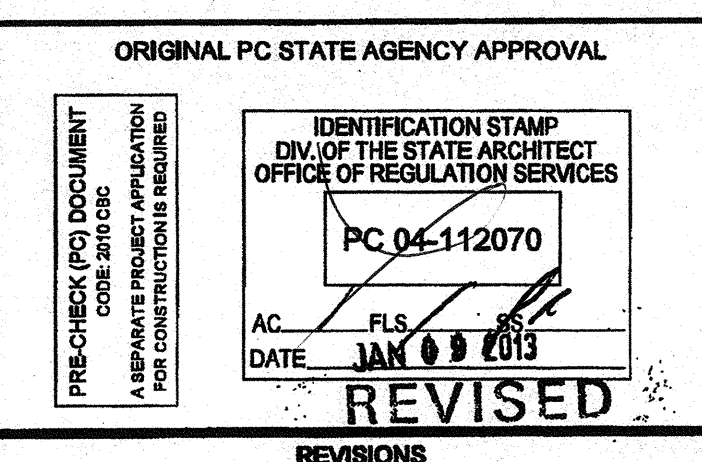
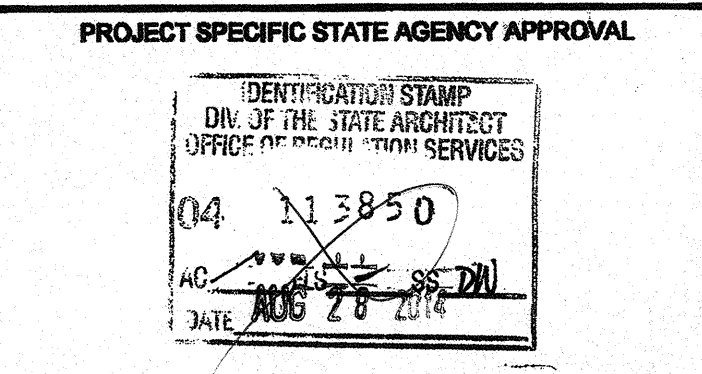
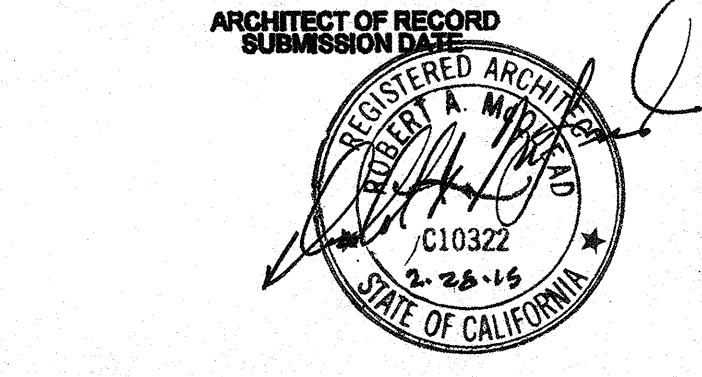
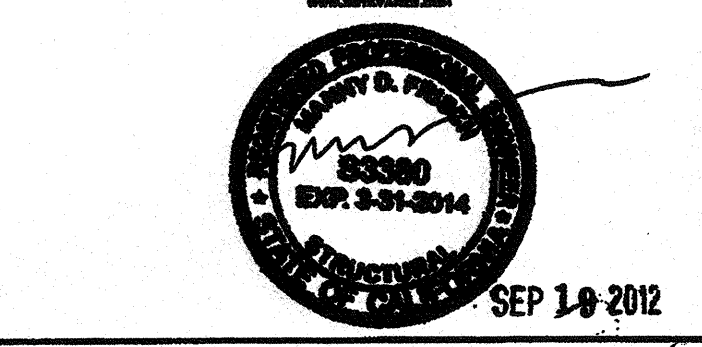
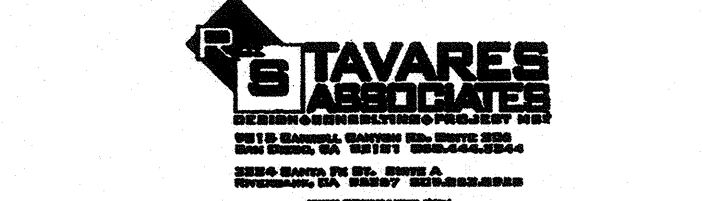
THESE DRAWINGS AND ALL MATERIAL CONTAINED HEREIN ARE THE PROPERTY OF SILVER CREEK INDUSTRIES, INC (SCI Inc) AND SHALL NOT BE REPRODUCED, COPIED OR OTHERWISE DISPOSED OF DIRECTLY OR INDIRECTLY AND SHALL NOT BE USED IN WHOLE OR IN PART TO ASSIST IN THE MAKING OF OR FOR THE PURPOSE OF FURNISHING ANY INFORMATION FOR THE MAKING OF DRAWINGS, PRINTS, APPENDICES OR PARTS THEREOF WITHOUT THE FULL KNOWLEDGE AND WRITTEN CONSENT OF SCI Inc. ALL PATENTABLE MATERIAL CONTAINED HEREIN AND ORIGINATING WITH SCI Inc SHALL BE THE PROPERTY OF SCI Inc.



195 EAST MORGAN PERRIS, CALIFORNIA 92571
PHONE: 951-943-5933 FAX: 951-943-2211

PROJECT NAME:
CLASS LEASING CLASSROOMS BLDG'S

SHEET TITLE:
ROOF FRAMING DETAILS



REVISIONS

1	PC REVISION 08/14/2012
2	
3	
4	

SILVER CREEK INDUSTRIES
30' x 32' PC

PROJECT NO:
DRAWN BY:
SCALE: AS NOTED
DATE: 6-17-11
P.C. SHEET NUMBER
S-2.60