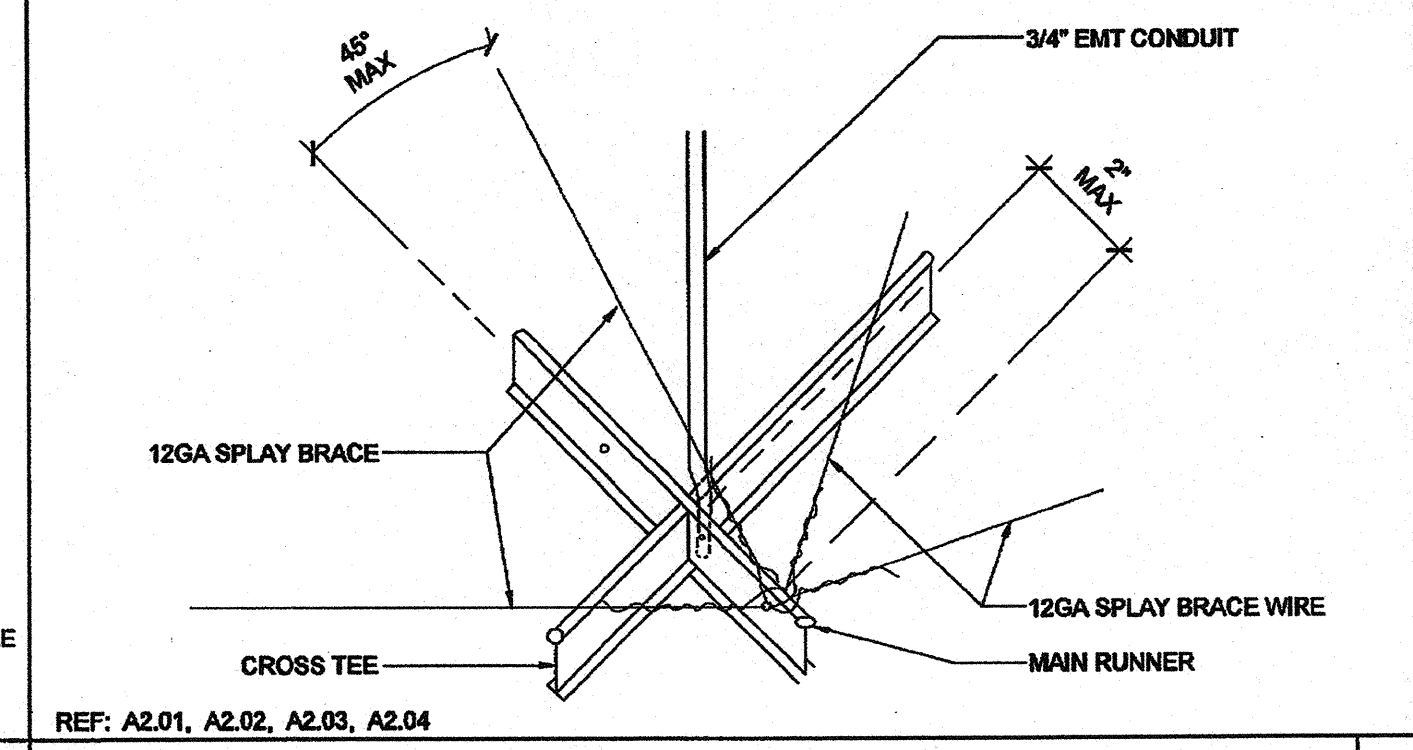
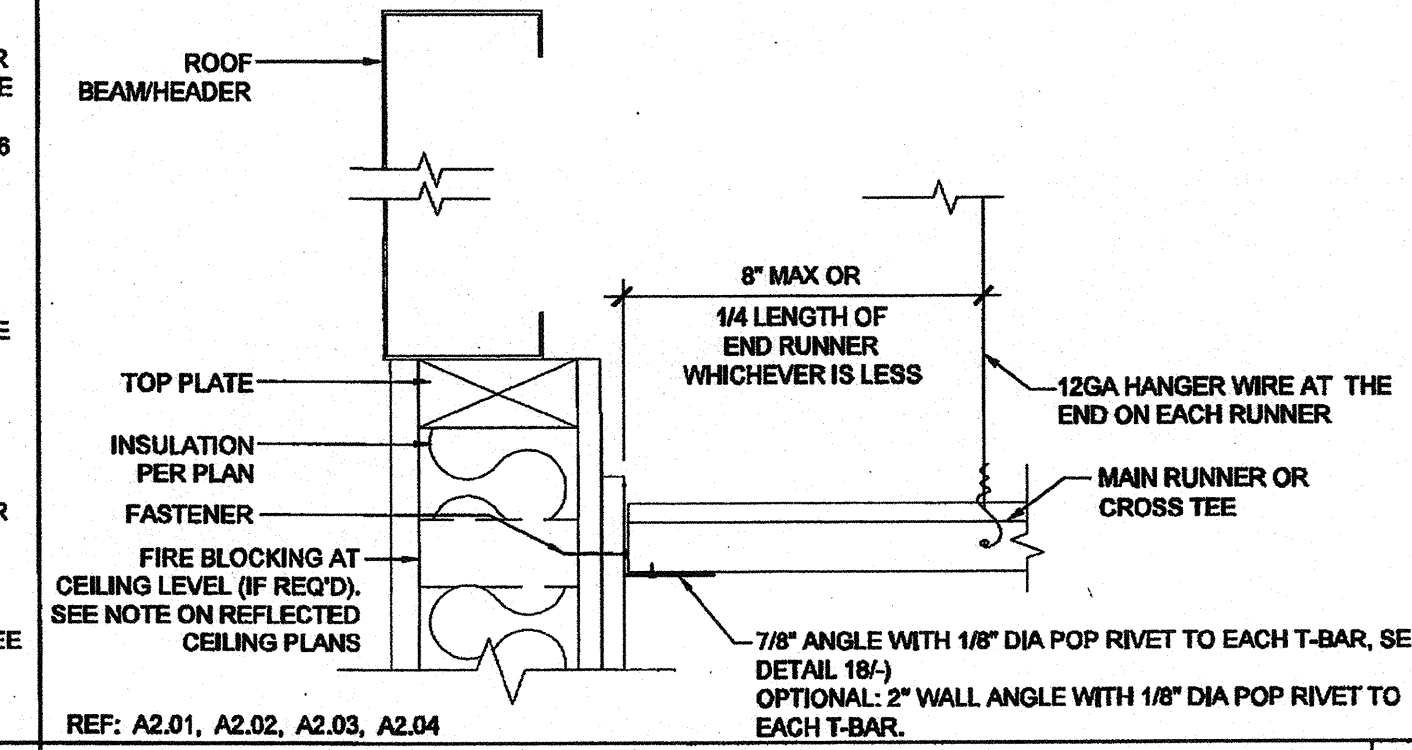
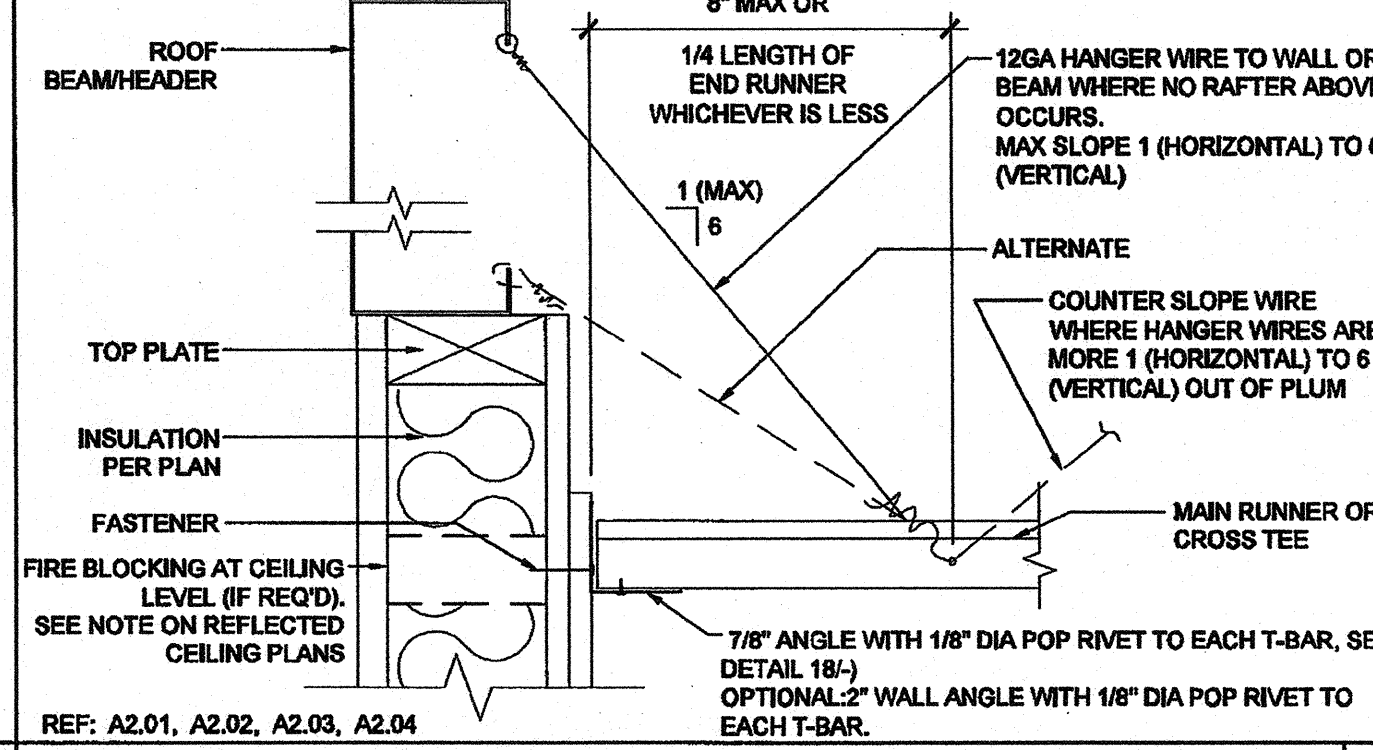
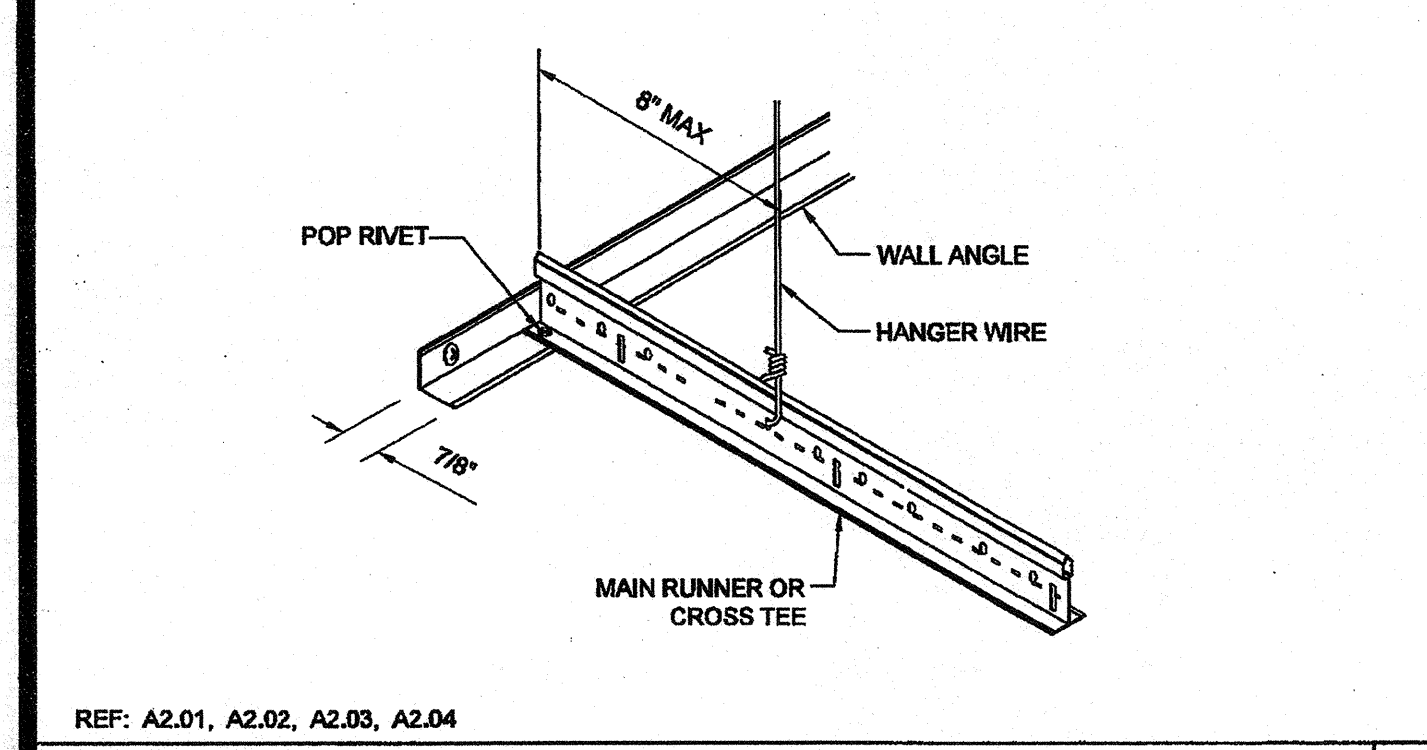


TRAPEZE DETAIL 17 SCALE: 3/8"=1'-0"

HVAC REGISTER MOUNTING 12 SCALE: NTS

LIGHT FIXTURE MOUNTING 7 SCALE: NTS

4' CROSS TEE AT LIGHTS 2 SCALE: 3/8"=1'-0"

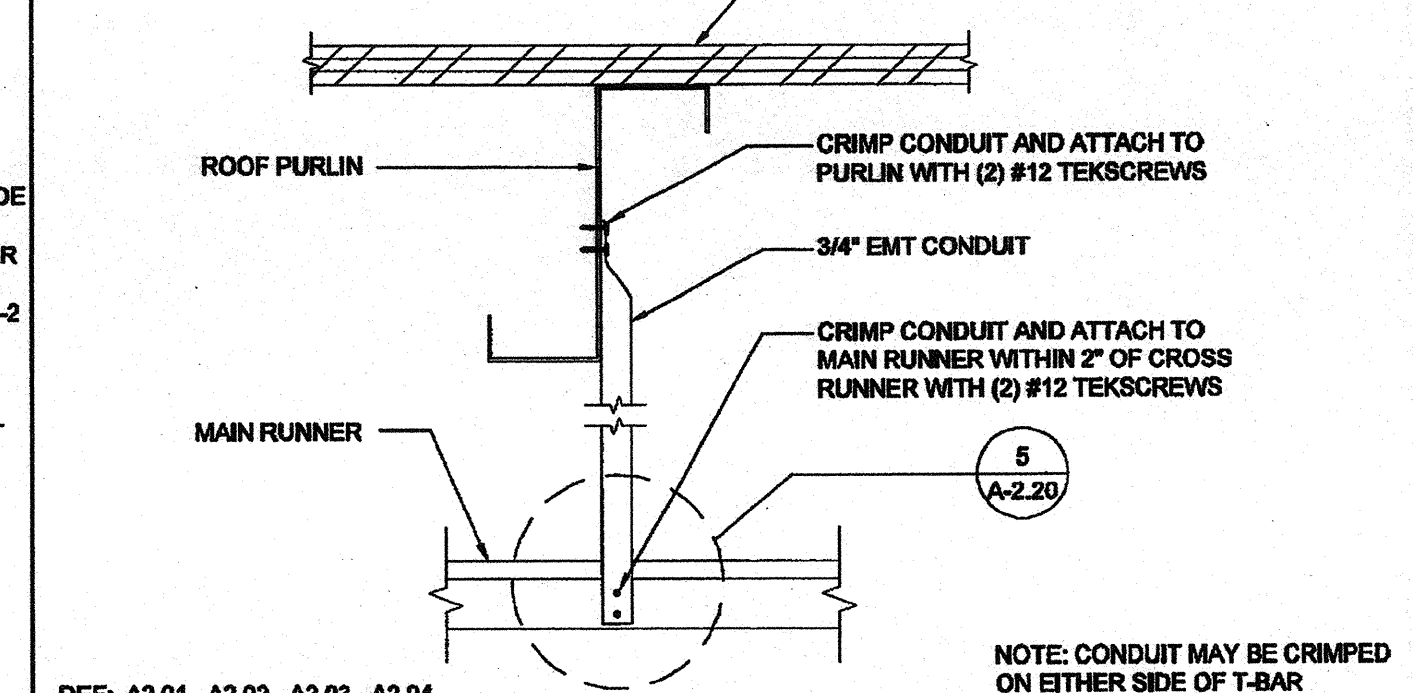
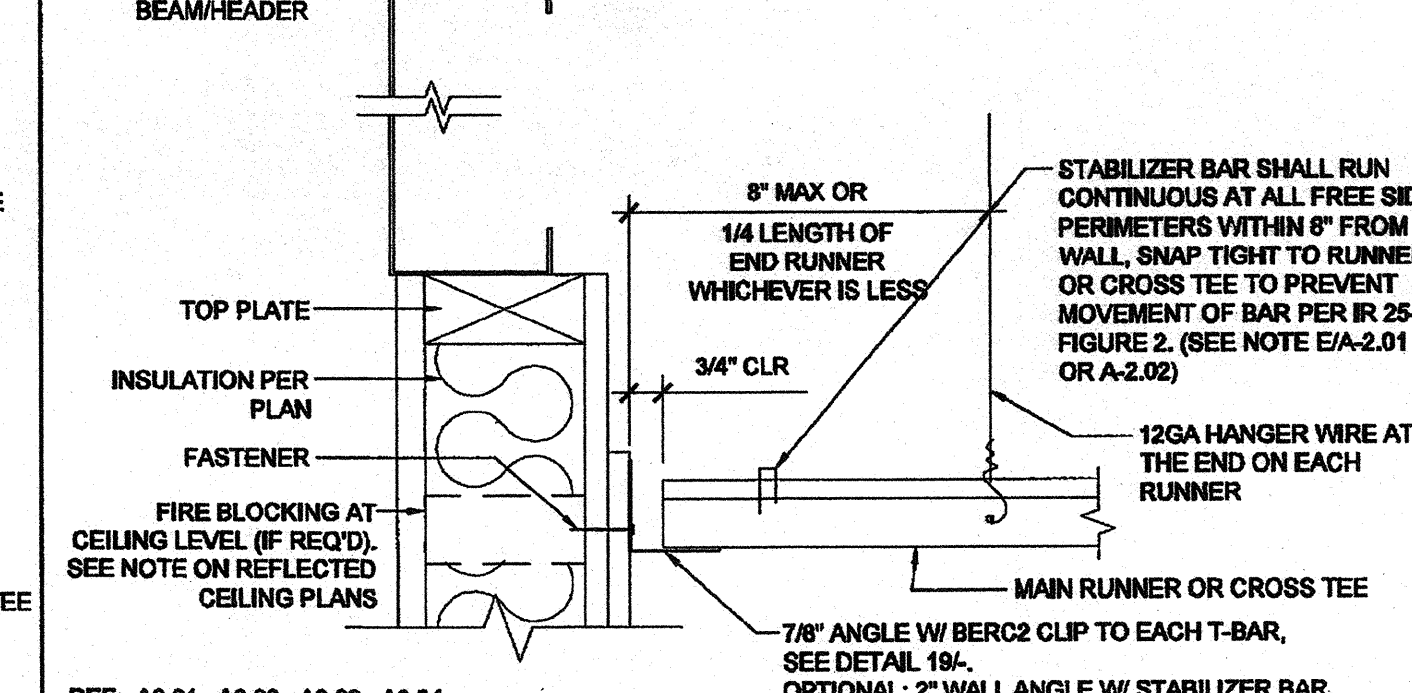
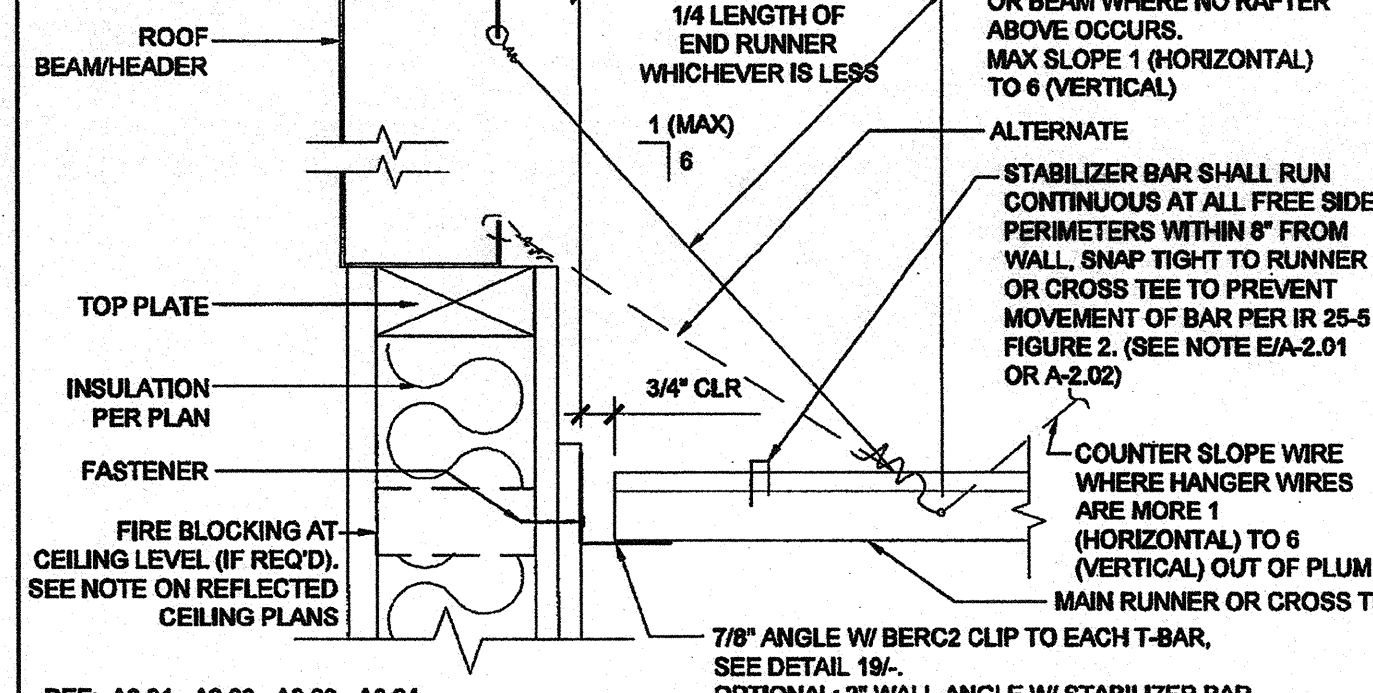
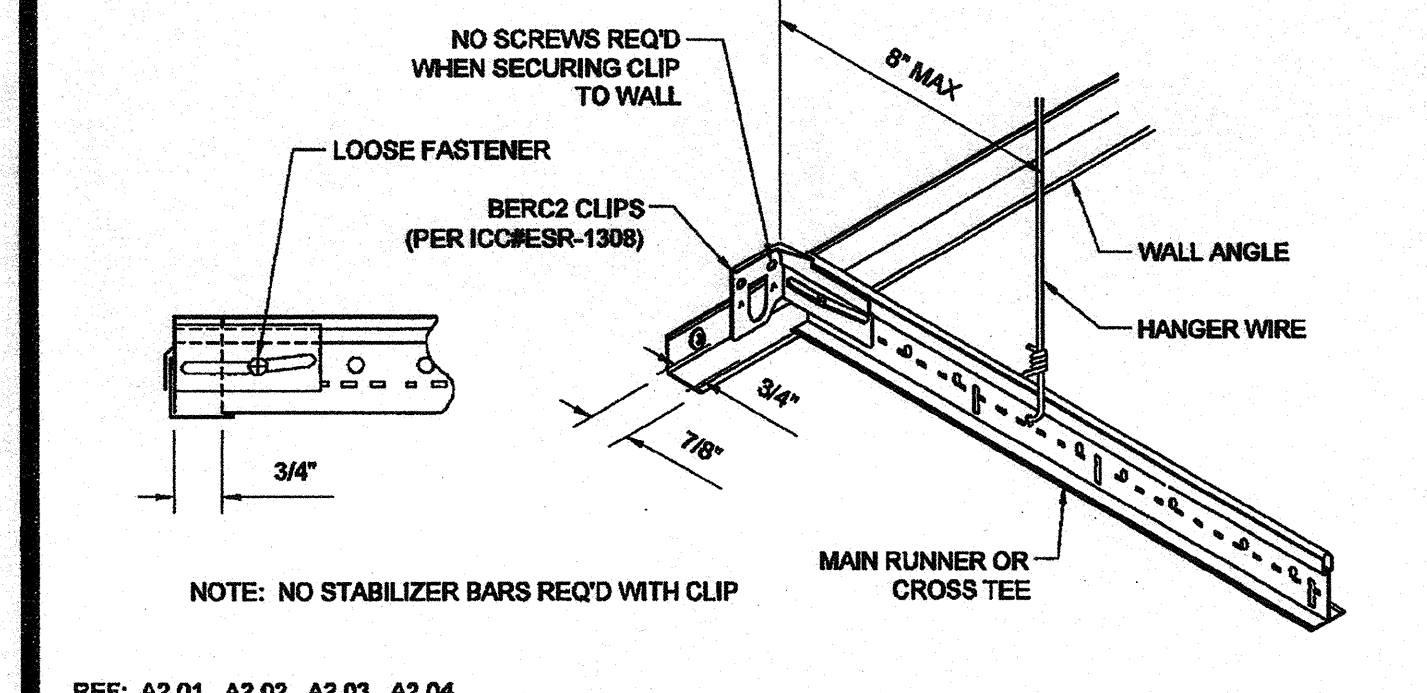


FIXED SIDE WITH 7/8" ANGLE 18 SCALE: NTS

FIXED SIDE (ENDWALL) 13 SCALE: 3/8"=1'-0"

FIXED SIDE (SIDEWALL) 8 SCALE: 3/8"=1'-0"

SEISMIC SPLAY - 4 WAY 3 SCALE: NTS

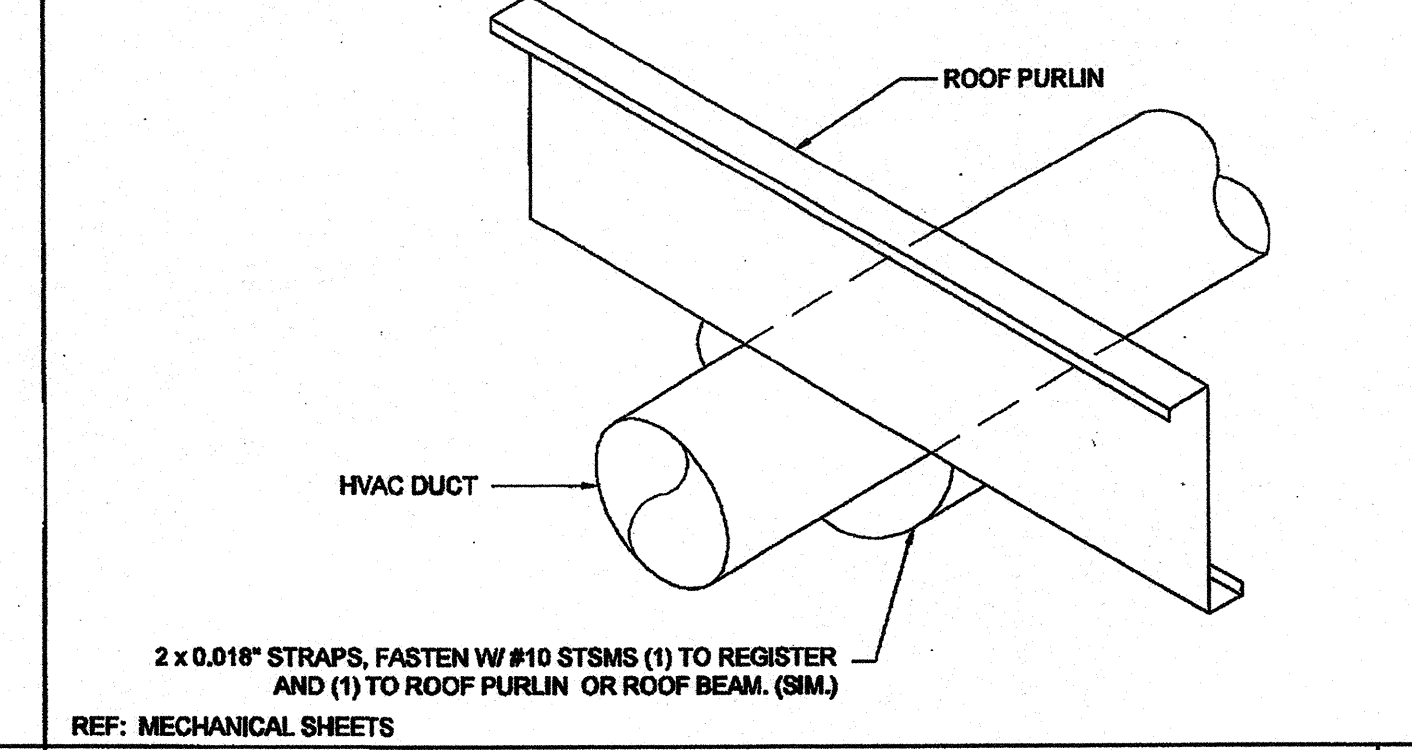
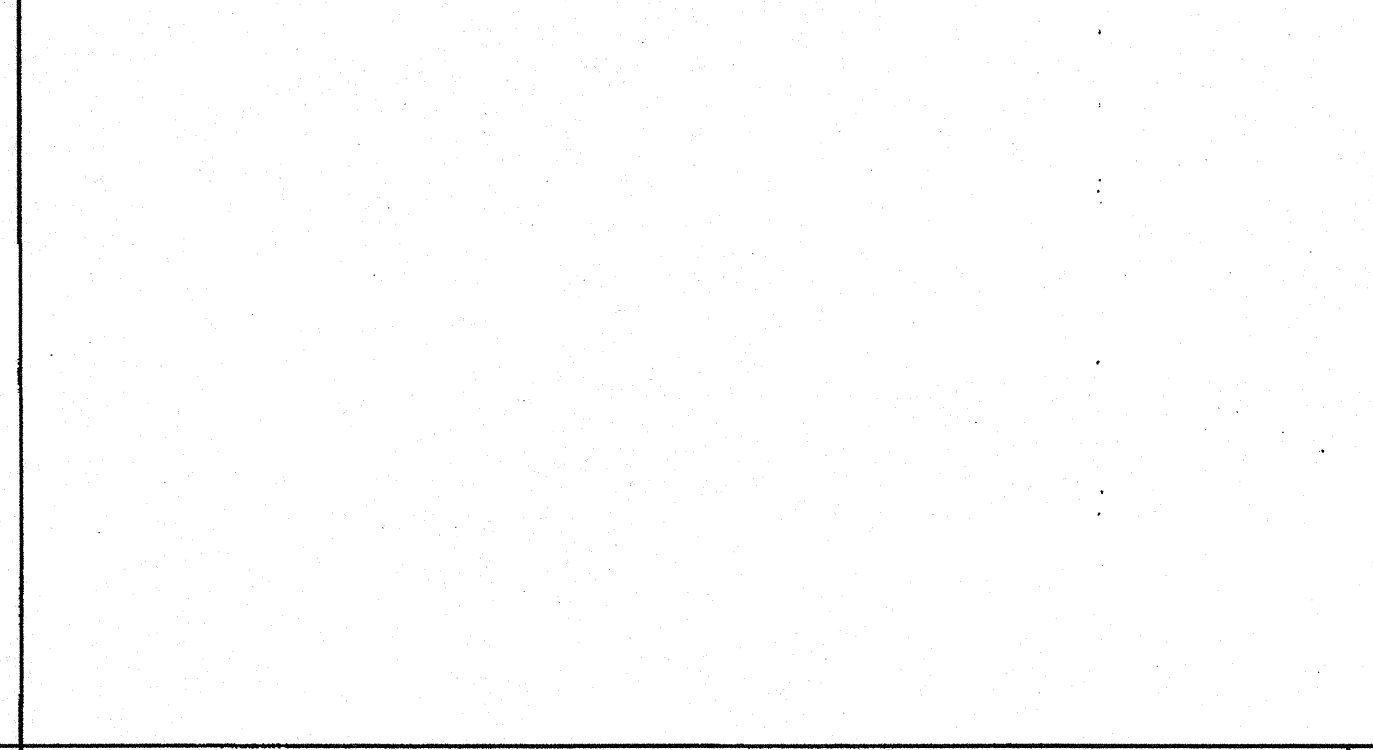
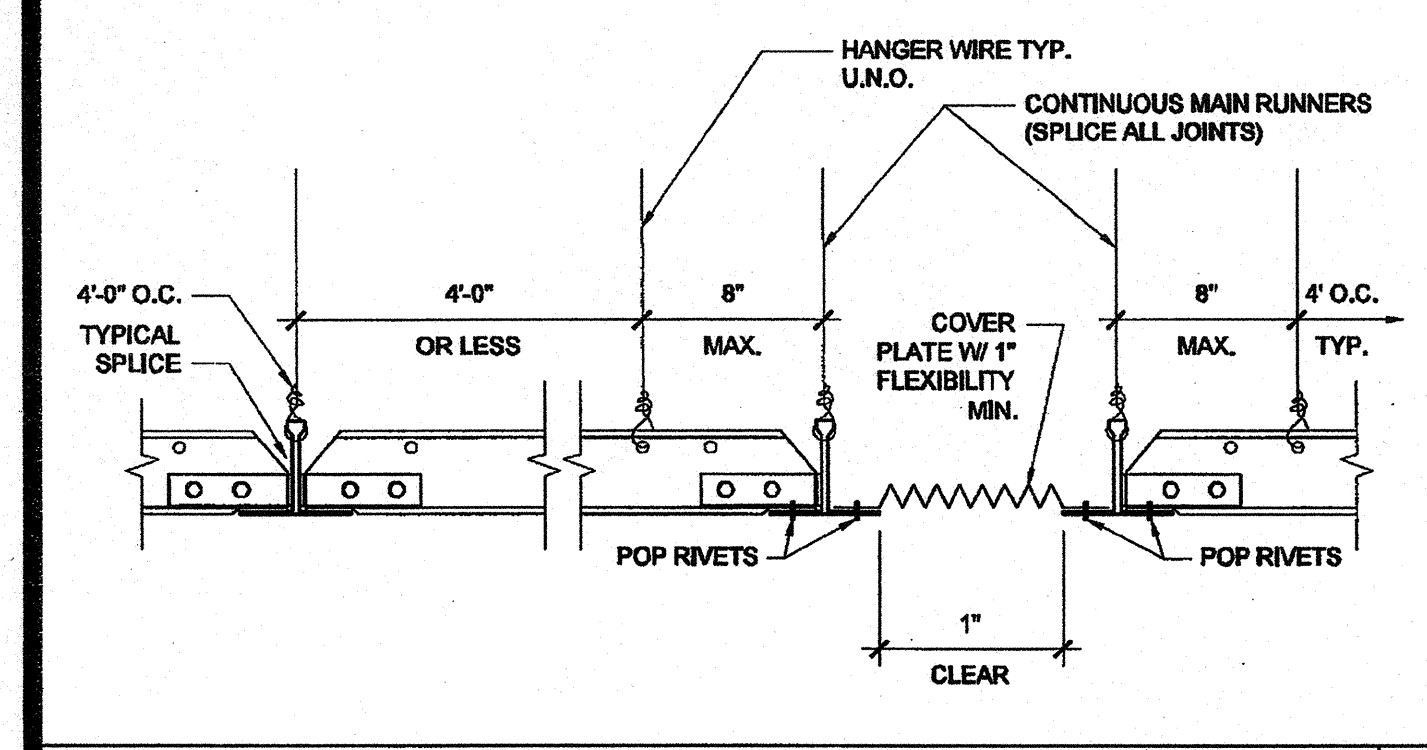


FREE SIDE WITH 7/8" ANGLE 19 SCALE: NTS

FREE SIDE (ENDWALL) 14 SCALE: 3/8"=1'-0"

FREE SIDE (SIDEWALL) 9 SCALE: 3/8"=1'-0"

COMPRESSION STRUT 4 SCALE: 3/8"=1'-0"



GRID SEISMIC SEPARATION JOINT 20 SCALE: 3/8"=1'-0"

NOT USED 15

HVAC DUCTWORK MOUNTING 10 SCALE: NTS

COMPRESSION STRUT 5 SCALE: 3/8"=1'-0"

THESE DRAWINGS AND ALL MATERIAL CONTAINED HEREIN ARE THE PROPERTY OF SILVER CREEK INDUSTRIES, INC. (SCI) AND SHALL NOT BE REPRODUCED, COPIED OR OTHERWISE DISPOSED OF DIRECTLY OR INDIRECTLY AND SHALL NOT BE USED IN WHOLE OR IN PART TO ASSIST IN THE MAKING OF OR FOR THE PURPOSE OF FURNISHING ANY INFORMATION FOR THE MAKING OF DRAWINGS, PRINTS, APPARATUS OR PARTS THEREOF WITHOUT THE FULL KNOWLEDGE AND WRITTEN CONSENT OF SCI INC. ALL PATENTABLE MATERIAL CONTAINED HEREIN AND ORIGINATING WITH SCI INC SHALL BE THE PROPERTY OF SCI INC.

SILVER CREEK INDUSTRIES, INC.

BUILDING FOR THE NEXT GENERATION

SILVER CREEK

195 EAST MORGAN PERRIS, CALIFORNIA 92571
PHONE: 951-943-5393 FAX: 951-943-2211

PROJECT NAME:
CLASS LEASING CLASSROOMS BLDG'S

SHEET TITLE:
CEILING DETAILS T-GRID

TAVARES ASSOCIATE
ARCHITECTS
1101 S. GARDEN AVENUE, SUITE 200
PERRIS, CALIFORNIA 92571
TEL: 951-943-5393 FAX: 951-943-2211

12/23/2011

ARCHITECT OF RECORD
SUBMISSION
SILVER CREEK INDUSTRIES
195 EAST MORGAN PERRIS, CALIFORNIA 92571
TEL: 951-943-5393 FAX: 951-943-2211

PROJECT SPECIFIC STATE AGENCY APPROVAL

IDENTIFICATION STAMP
DIV. OF THE STATE ARCHITECT
OFFICE OF REGULATION SERVICES
04 113850
AC: FLS 17 SS
DATE: 12/23/11

ORIGINAL PC STATE AGENCY APPROVAL

IDENTIFICATION STAMP
DIV. OF THE STATE ARCHITECT
OFFICE OF REGULATION SERVICES
PC 04-112070
AC: FLS 17 SS
DATE: 12/23/11

REVISIONS

SILVER CREEK INDUSTRIES
30" x 36" PC

PROJECT NO:
DRAWN BY:
SCALE: AS NOTED
DATE: 6-17-11
P.C. SHEET NUMBER
A-2.20