

POWER PLAN KEY NOTES

- 1 REFER TO SINGLE LINE DIAGRAM
- 2 BRANCH CIRCUIT LOAD CENTER PROVIDED BY MODULAR CLASSROOM MANUFACTURER. SEE MODULAR CLASSROOM SHOP DRAWINGS FOR PANEL SCHEDULE. VERIFY LOCATION & PROVIDE CONNECTION PER VENDOR'S SHOP DRAWINGS.
- 3 PROVIDE ALL NECESSARY WORK & MATERIALS IN ORDER TO INTERCEPT EXISTING LIGHTING BRANCH CIRCUIT TO PROVIDE TITLE 24 COMPLIANT OCCUPANCY SENSOR CONTROL. PROVIDE ALL REQUIRED RELAYS, POWER TRUCKS, & SENSORS FOR A COMPLETE SYSTEM.
- 4 PROVIDE (1) 20/1P CIRCUIT BREAKER IN EXISTING SPACE OR USE SPARE 20/1P CIRCUIT BREAKER. THE CIRCUIT BREAKER SHALL HAVE A RED MARKING & BE IDENTIFIED AS THE ALARM CIRCUIT CONTROL. PROVIDE A LOCK-ON DEVICE ON THE CIRCUIT BREAKER HANDLE. CIRCUIT BREAKER SHALL BE PERMANENTLY IDENTIFIED AT THE "TAG" & "TAG" PROVIDE SURGE SUPPRESSORS ON THE INPUT OF CONTROL PANELS, EXCEPT FOR CONTROL PANELS WITH BUILT-IN SURGE SUPPRESSORS.

POWER SHEET NOTES

1. CONTRACTOR SHALL VERIFY LOCATION & REQUIREMENTS OF ALL DEVICES REQUIRING ELECTRICAL CONNECTION PRIOR TO BID PROPOSAL, ROUGH-IN AND FINISH.
2. CONTRACTOR SHALL, IN ROUTING ALL CIRCUITS, INCREASE CONDUCTOR & CONDUIT SIZE TO ALLOW FOR VOLTAGE DROP SHOULD THE CONTRACTOR EXCEED ROUTING INDICATED ON DRAWINGS. ENGINEER OF RECORD MUST BE NOTIFIED PRIOR TO ANY DEVIATIONS FROM APPROVED PLAN CHECK (PERMIT SET) DRAWINGS.
3. COORDINATE WORK WITH OTHER TRADES. OBTAIN ALL DRAWINGS THAT WILL REQUIRE COORDINATION AND PROVIDE ALL ELECTRICAL CONNECTIONS, DEVICES, AND WIRING REQUIRED WHETHER SHOWN ON THE ELECTRICAL DRAWINGS OR NOT.
4. CONTRACTOR SHALL FURNISH AND INSTALL PULL BOXES AS REQUIRED TO INSTALL CONDUCTORS PER CONDUCTOR MANUFACTURER'S RECOMMENDATIONS, PER THE NATIONAL ELECTRICAL CODE AND PER LOCAL AUTHORITY HAVING JURISDICTION.
5. 3/4" CONDUIT MINIMUM, UNLESS OTHERWISE NOTED.
6. PROVIDE CODE SIZED EQUIPMENT GROUNDING CONDUCTORS IN ALL OCCUPIED CONDUITS.
7. PROVIDE CONTROLS FOR MECHANICAL EQUIPMENT PER MECHANICAL DOCUMENTS. VERIFY LOCATION AND REQUIREMENTS OF MECHANICAL EQUIPMENT ON MECHANICAL DOCUMENTS.
8. VERIFY LOCATION OF ALL DEVICES ON ARCHITECTURAL PLANS.
9. ALL CONDUIT RUNS SHALL BE CONCEALED IN WALLS OR ROUTED ABOVE THE CEILING/ACCESSIBLE CEILING SPACE.
10. ALL FURNITURE FEED LOCATIONS SHALL BE VERIFIED WITH ARCHITECT AND FURNITURE VENDOR PRIOR TO ROUGH-IN.
11. ALL FURNITURE WIRPS SHALL BE TRIMMED TO REDUCE EXCESS WIRE LENGTH.
12. ALL PENETRATIONS THROUGH FIRE RATED WALLS SHALL BE PROTECTED FROM THE SPREAD OF FIRE WITH AN APPROVED FIRESTOP SYSTEM EQUAL TO OR GREATER THAN THE RATING OF THE WALL.
13. MOUNTING HEIGHT OF ALL RECEPTACLES AT COUNTER TOPS SHALL BE VERIFIED WITH OWNER/ARCHITECT PRIOR TO ROUGH-IN.
14. PROVIDE GFCI TYPE RECEPTACLE WITHIN 8 FEET OF ANY SINK.
15. CONTRACTOR SHALL COORDINATE ALL ELECTRIFIED FURNITURE SYSTEM COMMUNICATIONS CABLEING REQUIREMENTS, POWER CONNECTION REQUIREMENTS, ALL LOCATIONS OF OUTLETS, ETC. IN ORDER TO PROVIDE A COMPLETE AND OPERATIONAL SYSTEM. VERIFY AND PROVIDE ALL REQUIREMENTS WITH FURNITURE SYSTEM VENDOR/SUPPLIER.

MARK	DATE	REVISIONS

CHECK AND VERIFY ALL DIMENSIONS BEFORE PROCEEDING WITH THE WORK. REPORT DISCREPANCIES TO THE ARCHITECT. ALL CONSTRUCTION SHALL CONFORM TO THE C.B.C.

SITE IMPROVEMENTS FOR MODULAR CLASSROOM ROOSEVELT ELEMENTARY SCHOOL
 2324 VERDE STREET
 FOR
 BAKERSFIELD CITY SCHOOL DISTRICT
 BAKERSFIELD, KERN COUNTY, CALIFORNIA, 93306

IDENTIFICATION STAMP
 DIV. OF THE STATE ARCHITECT
 OFFICE OF REGULATION SERVICES
 APR 03 11 07 19
 FILE 15-6
 DATE 4-13-16
 PTN: 63321-204

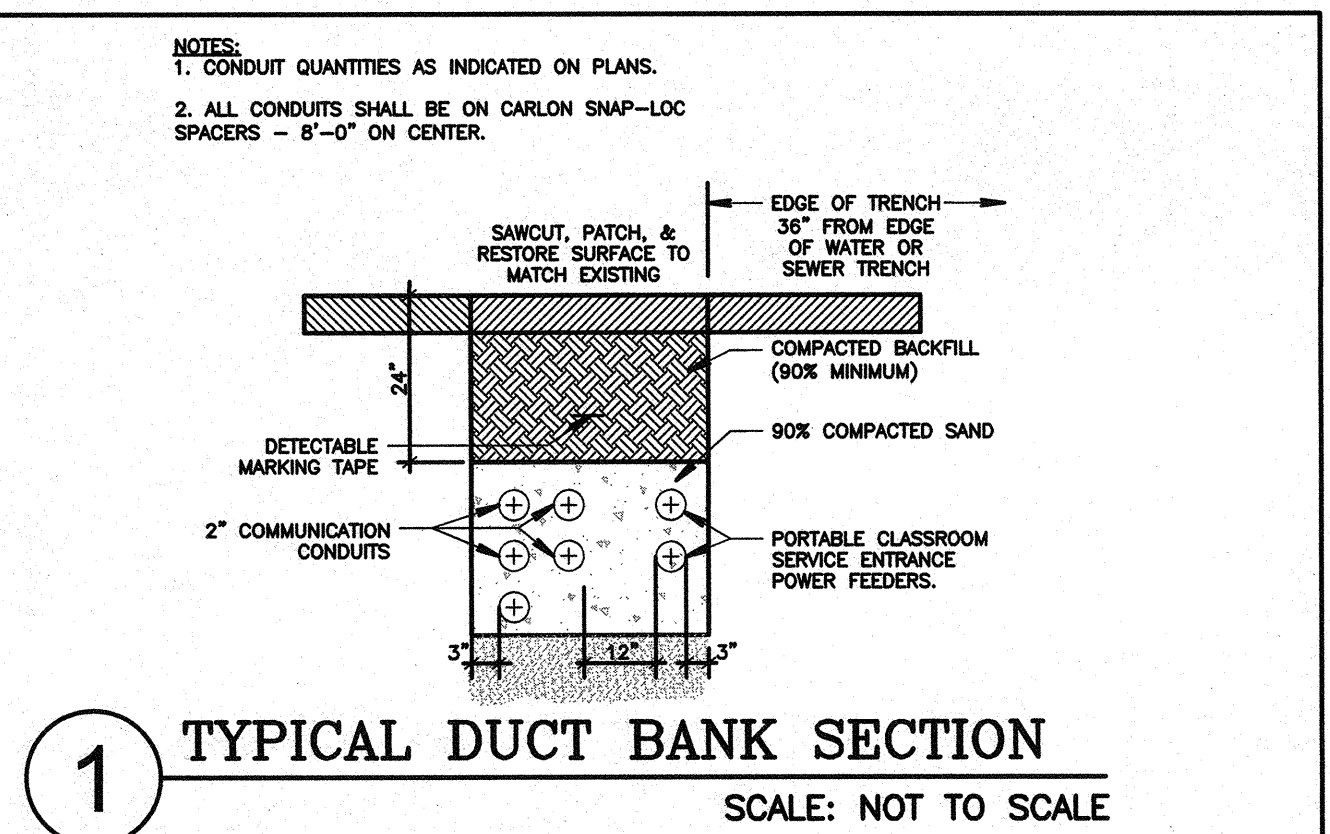
ARCHITECT
SCAR INC.
 1601 NEW STINE ROAD, SUITE 280
 BAKERSFIELD, CA 93309
 PH: (661) 397-4377
 FAX: (661) 397-4378
 WWW.SCARCHITECT.COM

LICENSED ARCHITECT
 C-16785
 STATE OF CALIFORNIA
 STEPHEN J. COHEN, N.CARB, N.A.A., LEED-AP BD+C

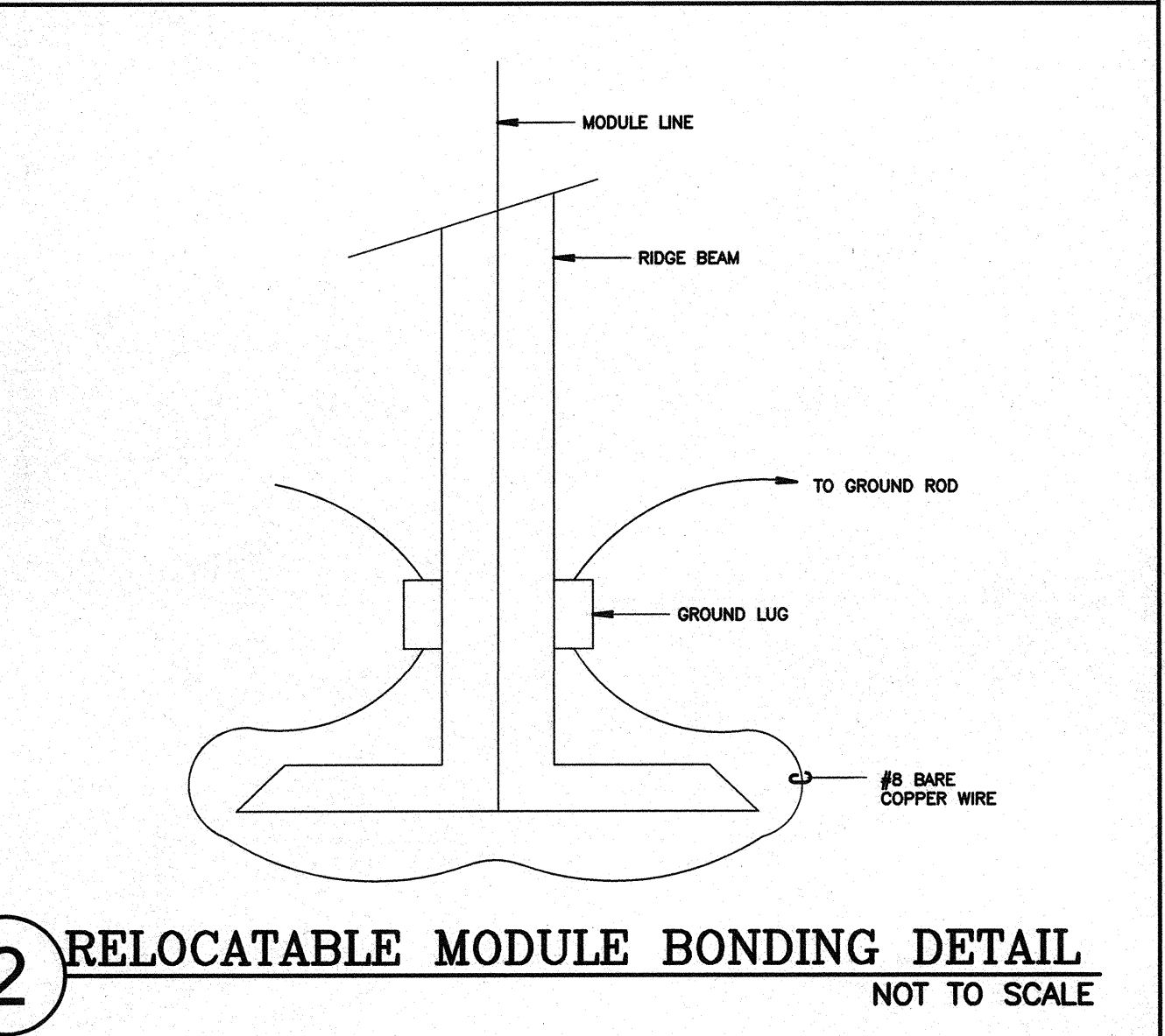
PROFESSIONAL ENGINEER
 STATE OF CALIFORNIA
 E 11524
 EXP 08/2017
 DALE FERRANTI

RELO POWER & SIGNAL PLAN
 JOB NO.
 DRAWN: G.GARCIA
 CHECKED: D.FERRANTI
 DATE: 2/12/2016
E
2.1 OF SHEETS

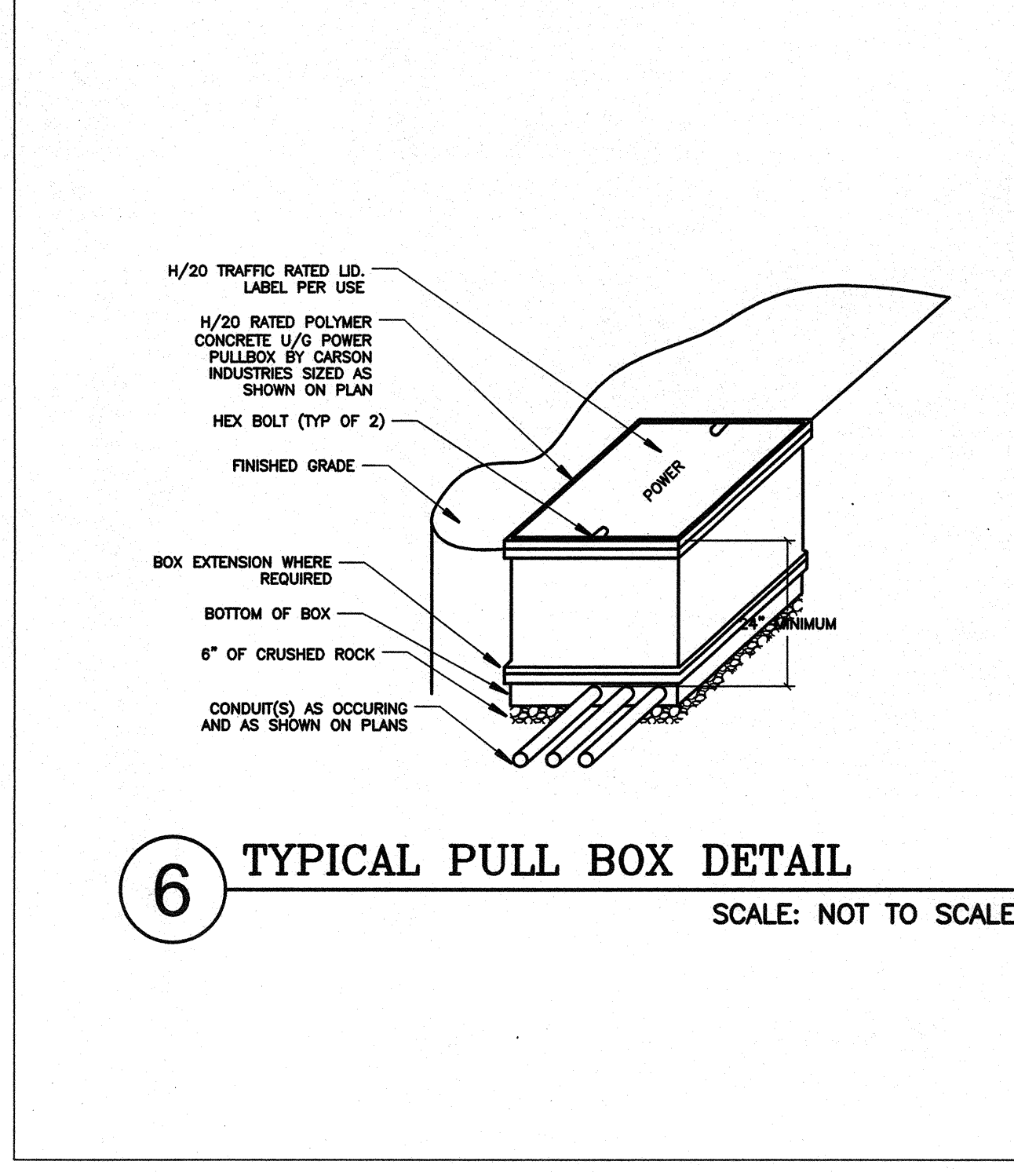
1 RELO POWER & SIGNAL PLAN
 SCALE: 1/8"=1'-0"
 NORTH



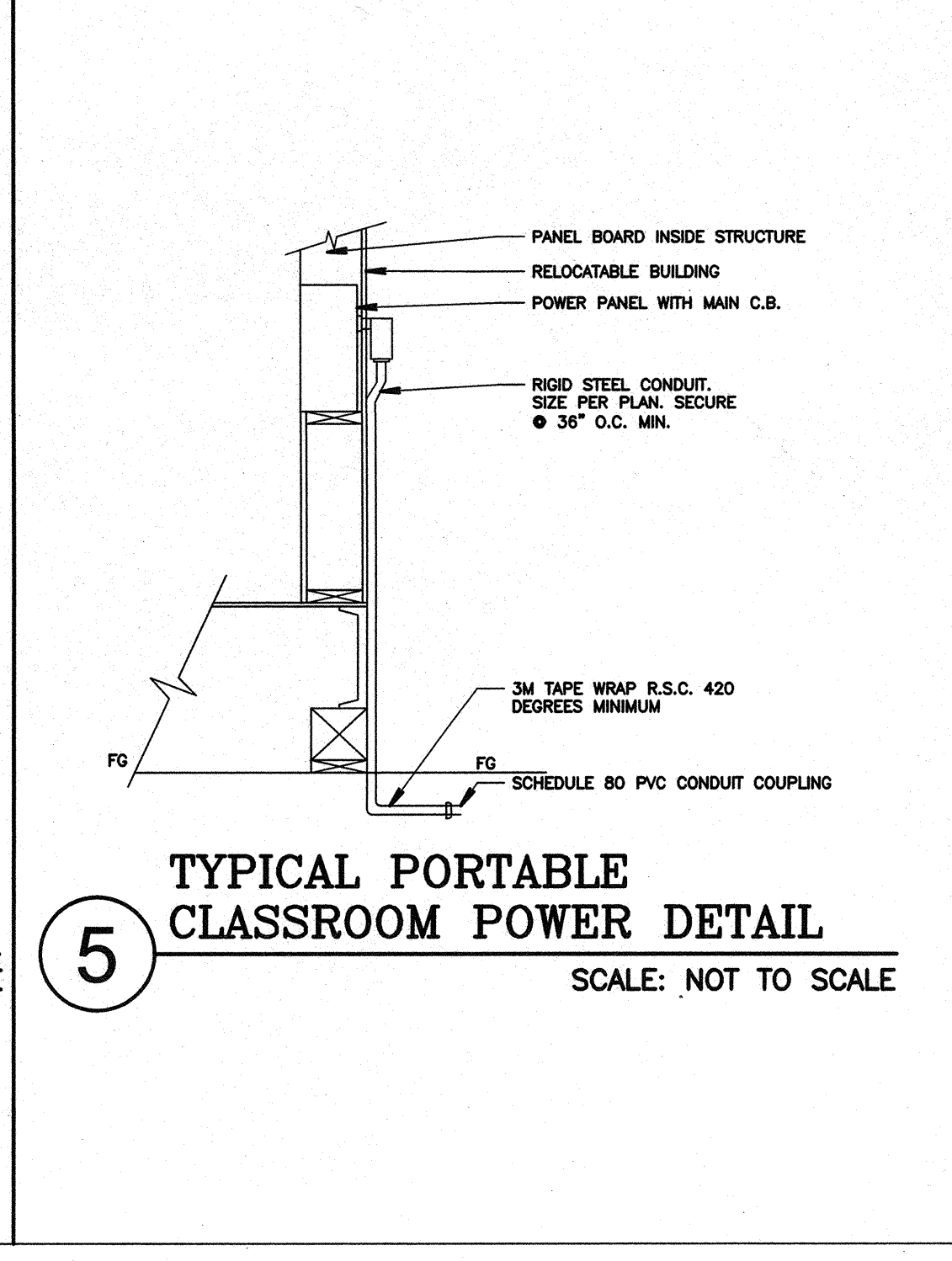
1 TYPICAL DUCT BANK SECTION
 SCALE: NOT TO SCALE



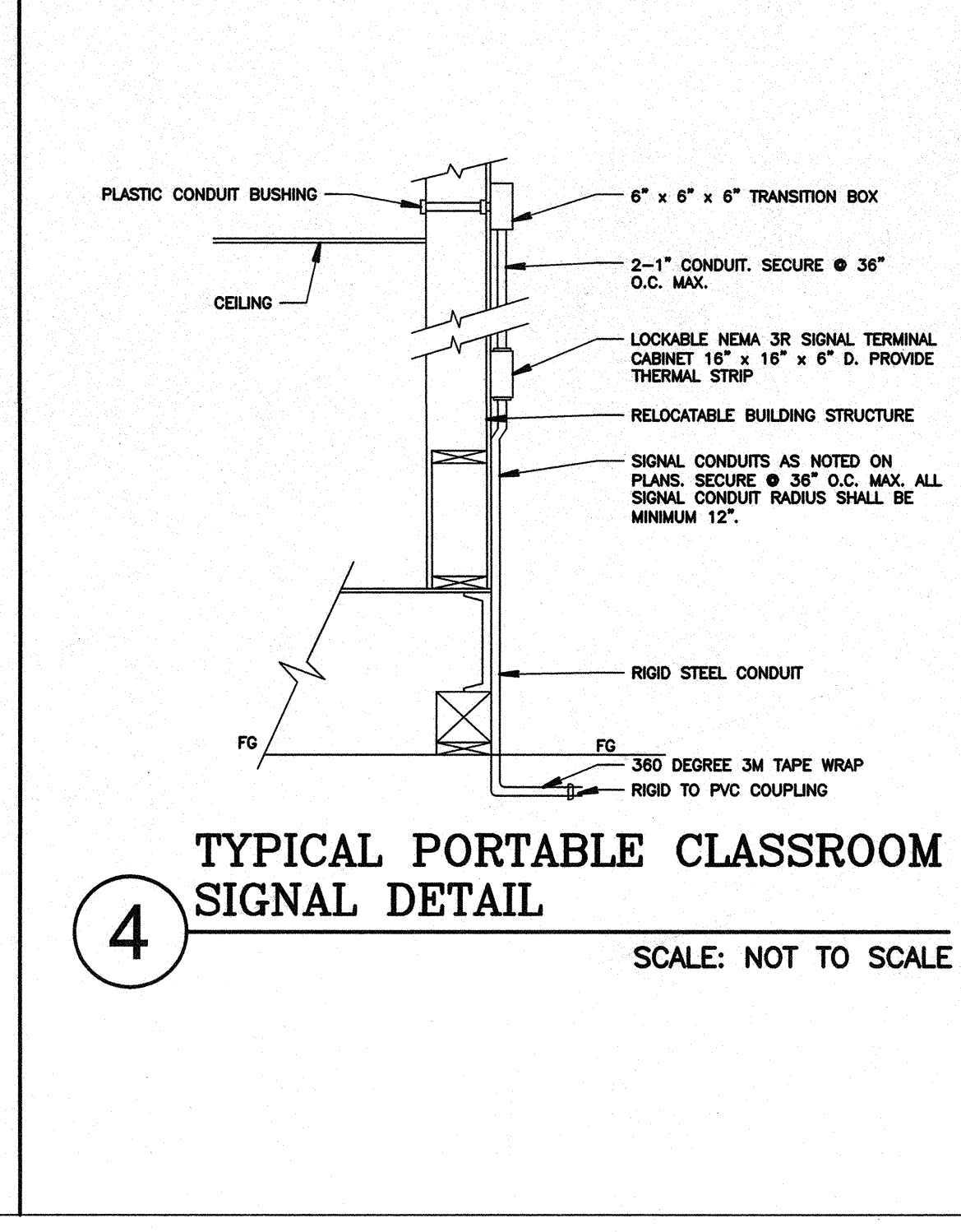
2 RELOCATABLE MODULE BONDING DETAIL
 NOT TO SCALE



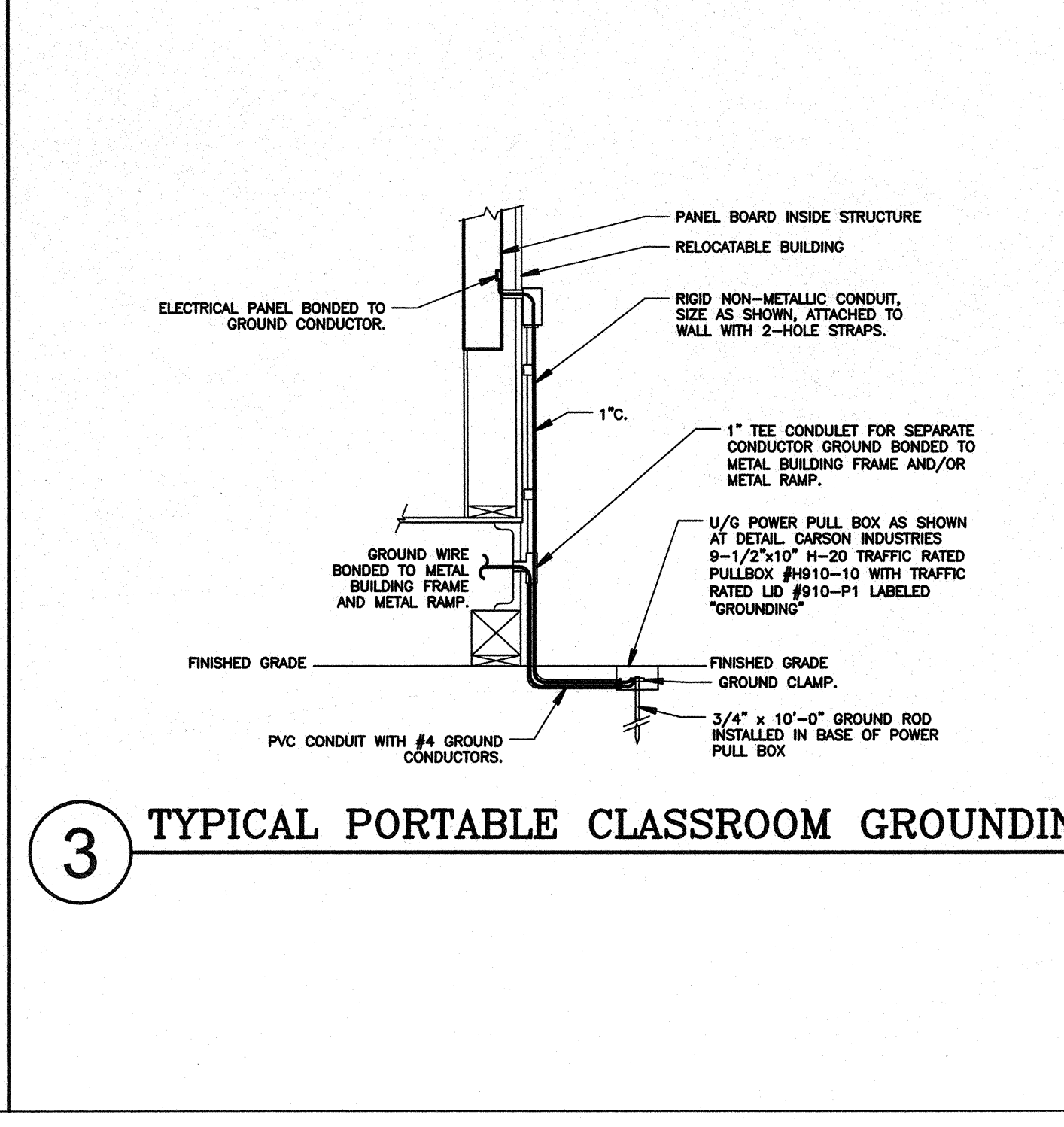
6 TYPICAL PULL BOX DETAIL
 SCALE: NOT TO SCALE



5 TYPICAL PORTABLE CLASSROOM POWER DETAIL
 SCALE: NOT TO SCALE



4 TYPICAL PORTABLE CLASSROOM SIGNAL DETAIL
 SCALE: NOT TO SCALE



3 TYPICAL PORTABLE CLASSROOM GROUNDING DETAIL
 SCALE: NOT TO SCALE

DETAIL NOTES

1. GROUND CONDUCTORS SHALL BE #4 COPPER
2. BOND SEPARATE CONDUCTORS FROM GROUND ROD TO ELECTRICAL PANEL AND TO METAL BUILDING FRAME. IN ADDITION TO THE DETAIL SHOWN ABOVE, BOND THE ELECTRICAL GROUND TO METAL WATER PIPE EMBEDDED AT LEAST 10FT INTO THE SOIL IF AVAILABLE.
3. ALL MODULES OF METAL BUILDING SHALL BE ELECTRICALLY BONDED TOGETHER (BONDING ONLY IS NOT ACCEPTABLE BONDING). PROVIDE #6 BONDING JUMPER BETWEEN FRAMES IN ACCESSIBLE AREA.
4. CHECK RESISTANCE TO GROUND. IF RESISTANCE EXCEEDS 25 OHMS, INSTALL ONE ADDITIONAL GROUND ROD, SEPARATED BY A MINIMUM OF 6', WITH CONDUCTORS AS SHOWN.
5. BOND ALL RAMP STEEL BALING WITH A #6 COPPER SOLID BONDING JUMPER TO THE ELECTRICAL PANEL OR THE STEEL FRAME OF THE UNIT.
6. THE SITE INSPECTOR SHALL WITNESS THE GROUNDING TEST.

NOTE: PER DSA IR E-1 METAL BUILDING BUILDINGS: EACH BUILDING COMPONENT, INCLUDING STEEL RAMP, MUST BE ELECTRICALLY BONDED TOGETHER IN A MANNER ACCEPTABLE TO THE DIVISION OF THE STATE ARCHITECT (DSA). ALL METAL BUILDING COMPONENTS MUST BE ELECTRICALLY BONDED TOGETHER, AND EACH BUILDING MUST BE INDEPENDENTLY GROUNDING. MULTIPLE BUILDINGS ARE NOT TO BE GROUNDING TO THE ELECTRICAL SYSTEM. ALL GROUNDING SYSTEMS ARE TO BE TESTED WITH A MEGGER UNIT, OR IN AN OTHERWISE ACCEPTABLE MANNER. REFER TO THE 2004 OR 2007 CEC, SECTION 250.52 FOR SPECIFIC GROUNDING REQUIREMENTS.

Know what's below.
 Call before you dig.
FERRANTI ENGINEERING
 CONSULTING ELECTRICAL ENGINEERS
 1211 MARICOPA HWY, SUITE 250
 OJALA, CA 93023
 (805) 705-4772
 DALEFERRANTI@LIVE.COM

PERMIT SUBMITTAL