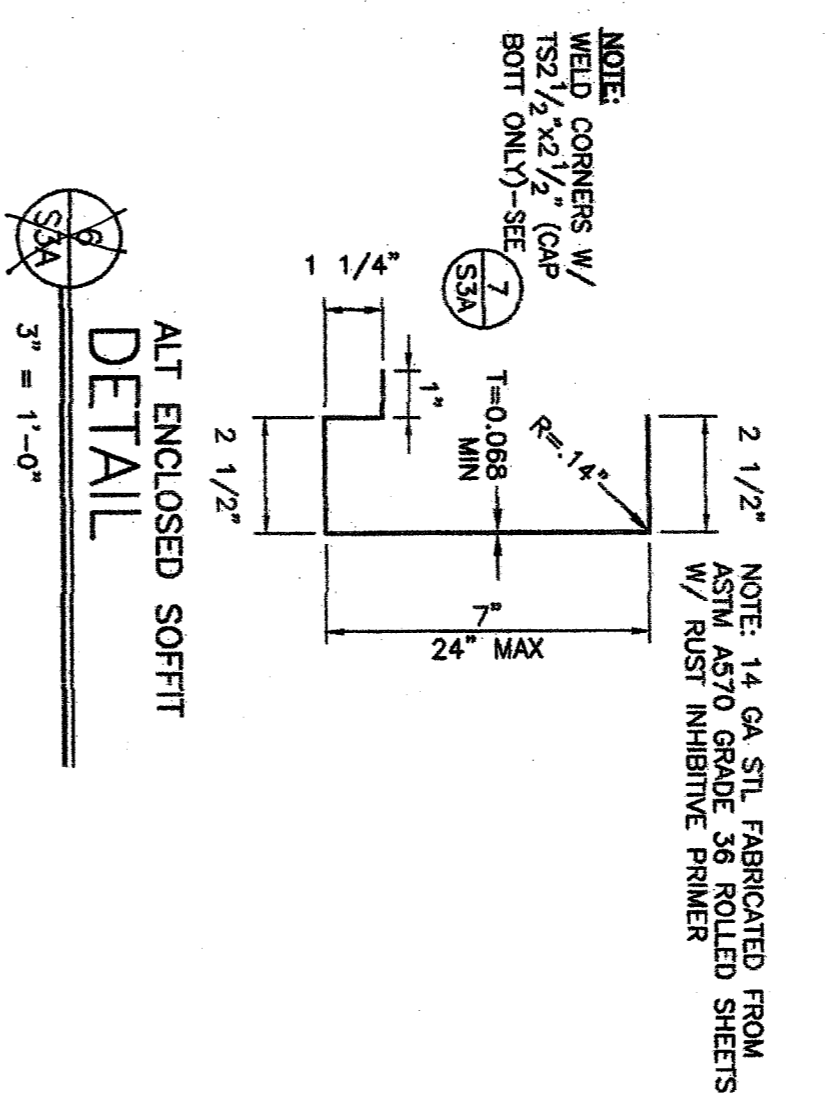
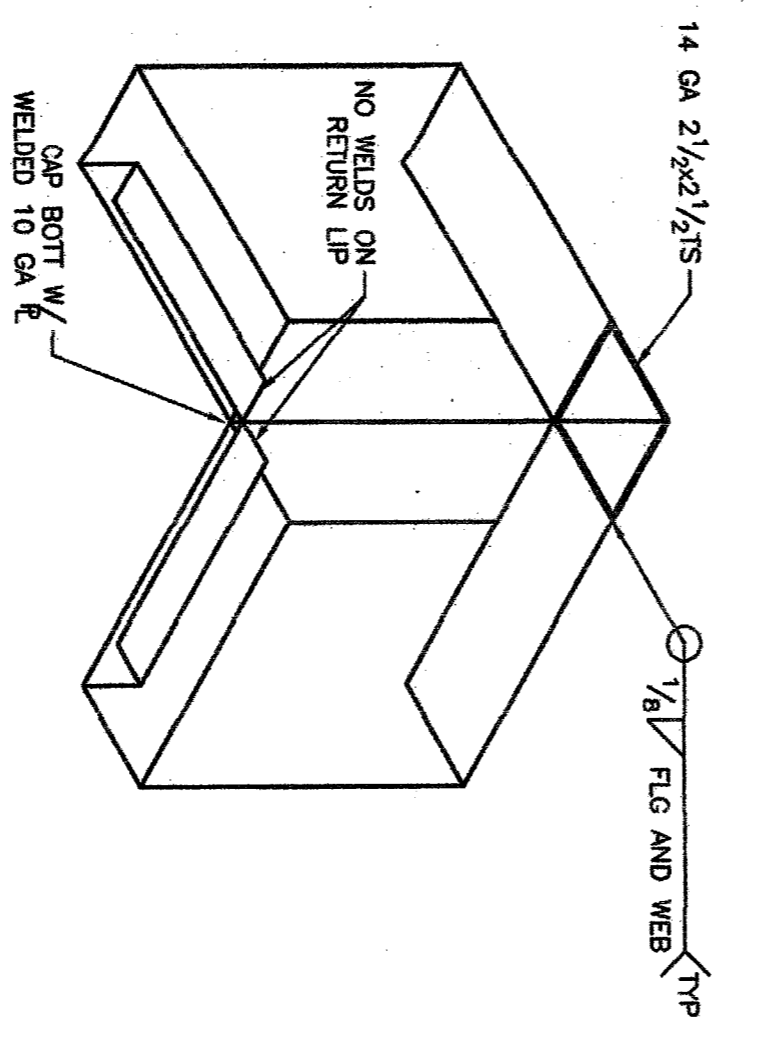


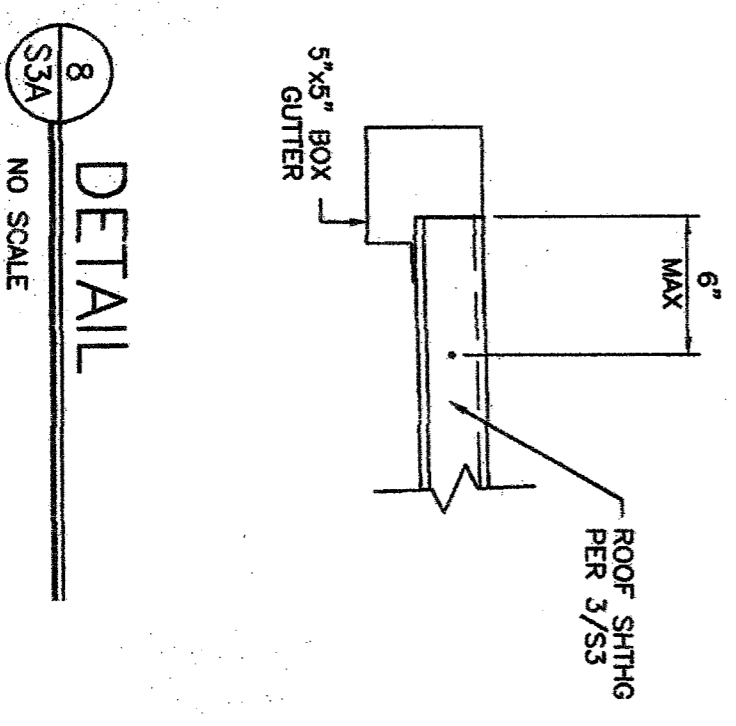
8  
S3A  
NO SCALE  
ALT ENCLOSED SOFFIT  
W/ PLYWOOD DECKING  
DETAIL



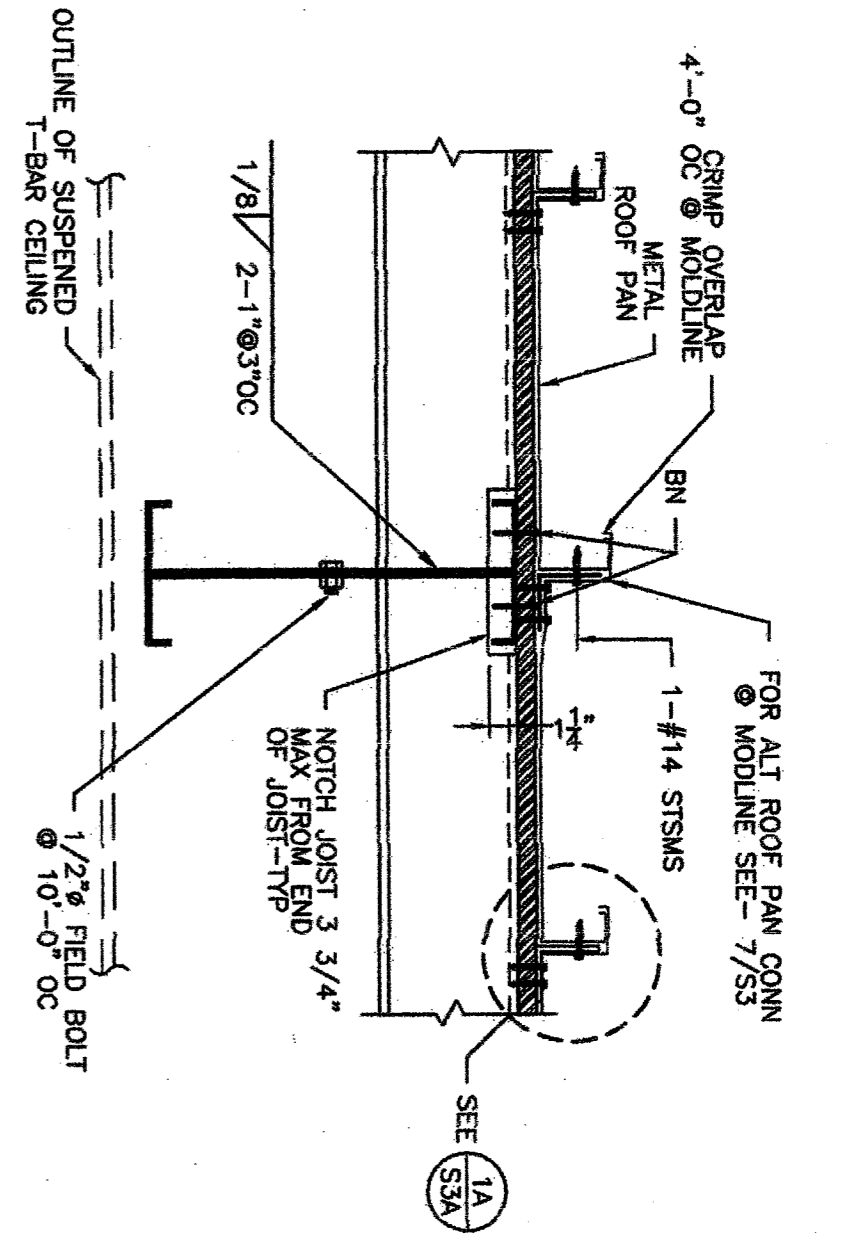
7  
S3A  
3\"/>



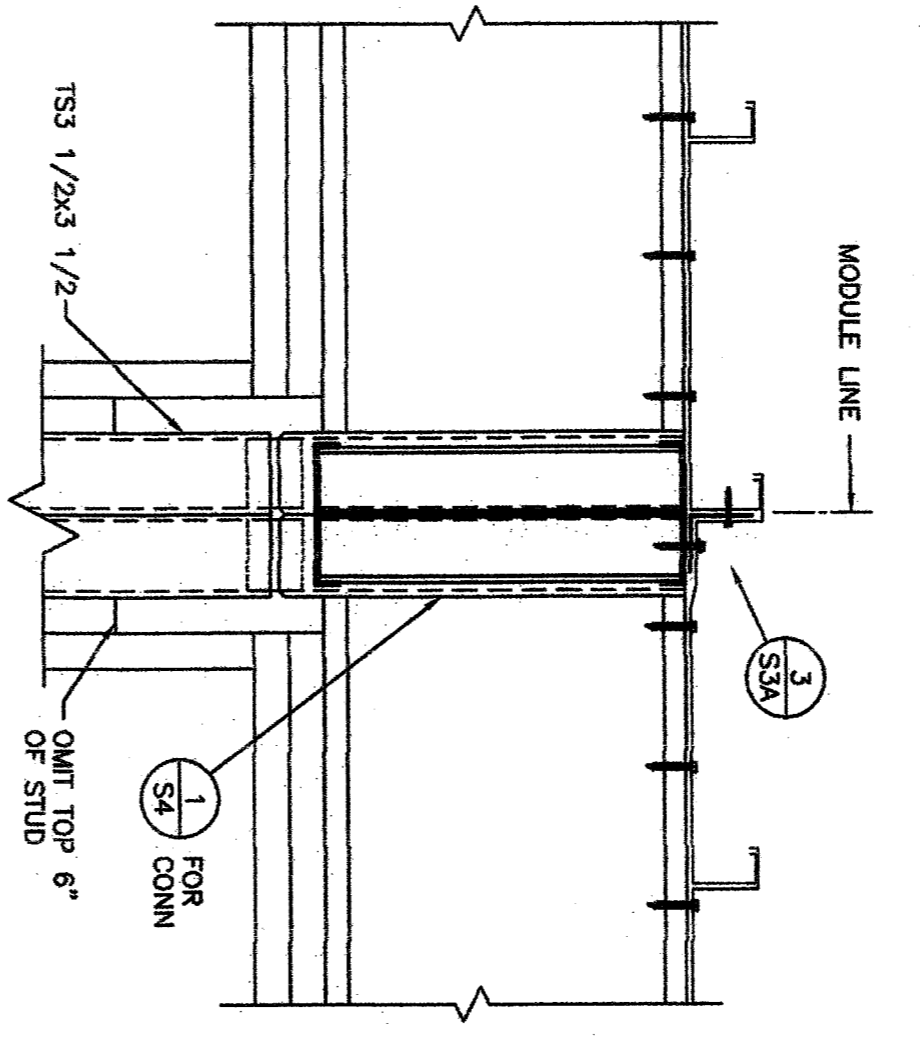
6  
S3A  
NO SCALE  
ALT ENCLOSED SOFFIT STL PROFILE  
DETAIL



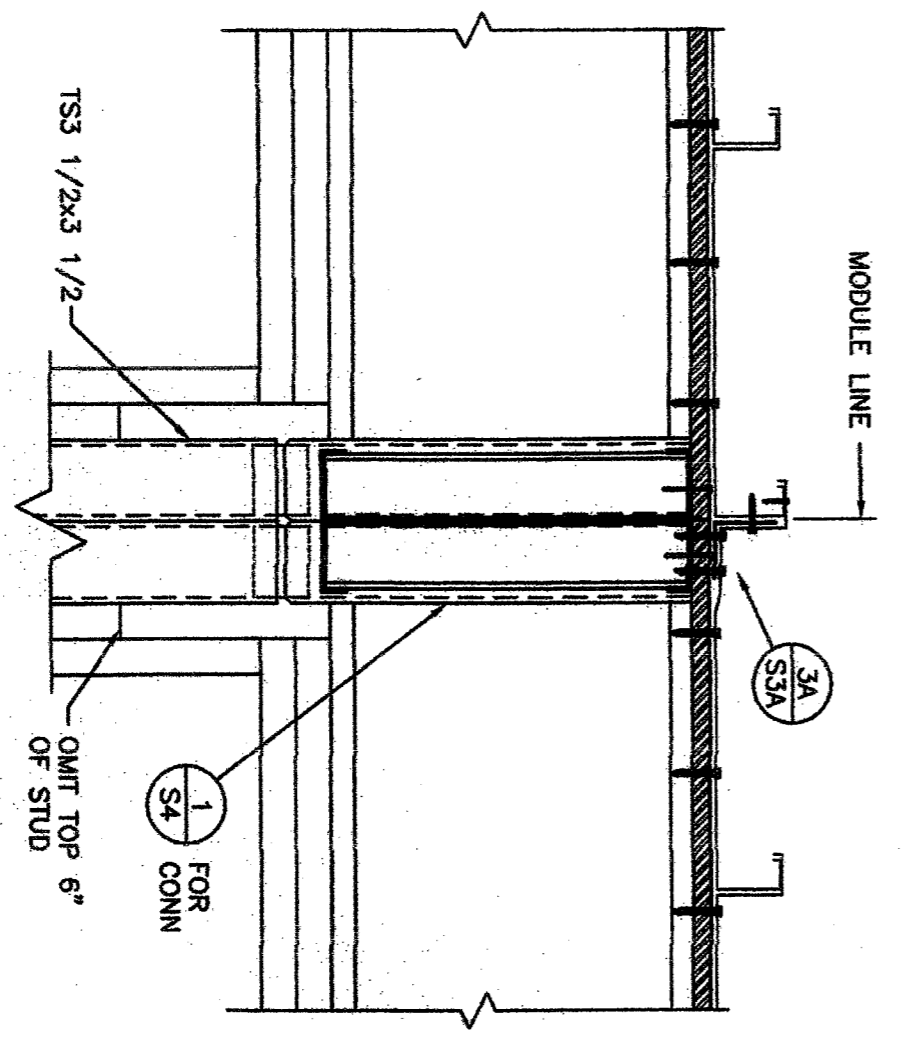
5  
S3A  
NO SCALE  
ALT ENCLOSED SOFFIT STL PROFILE  
DETAIL



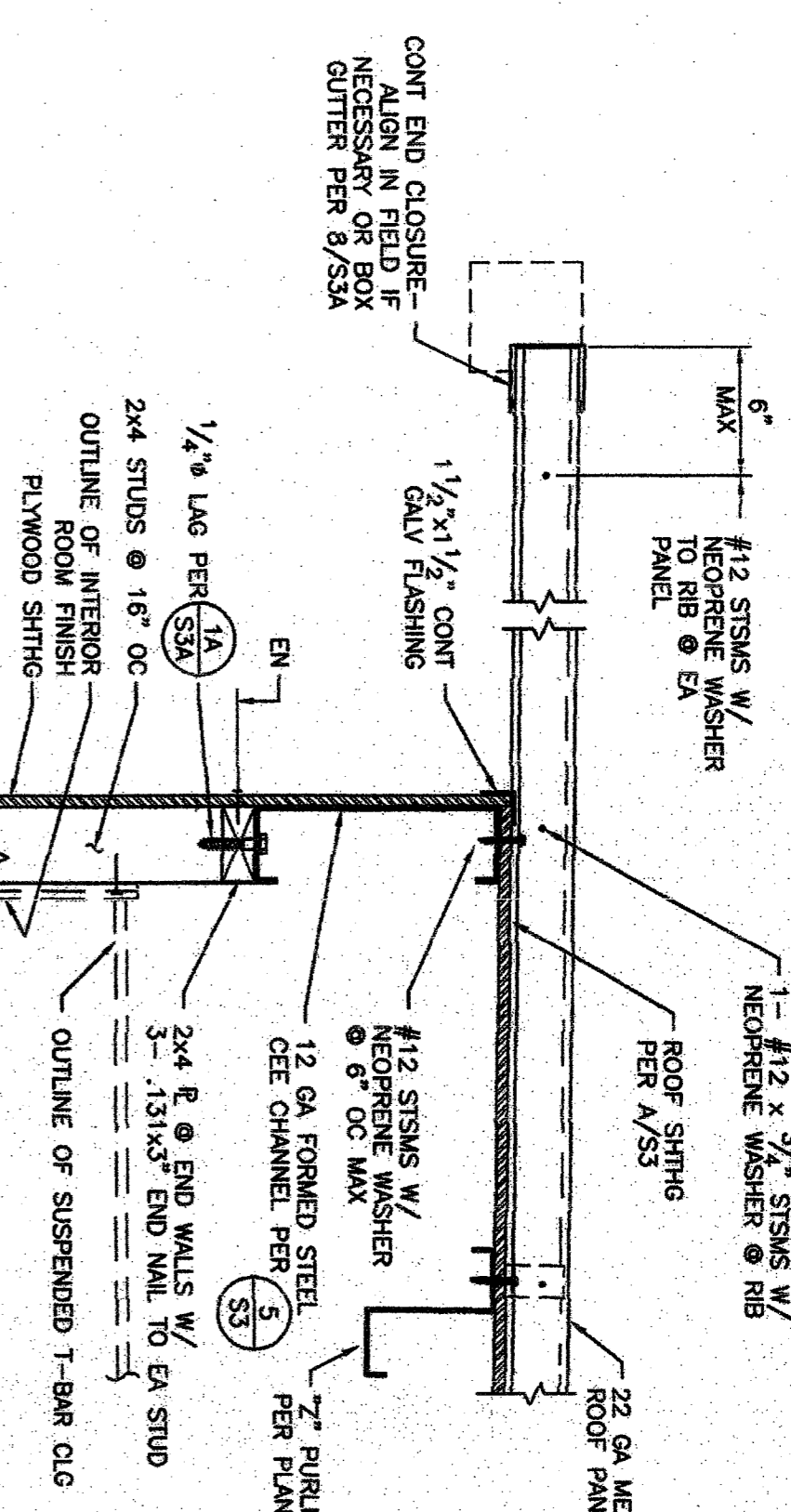
3A  
S3A  
1 1/2\"/>



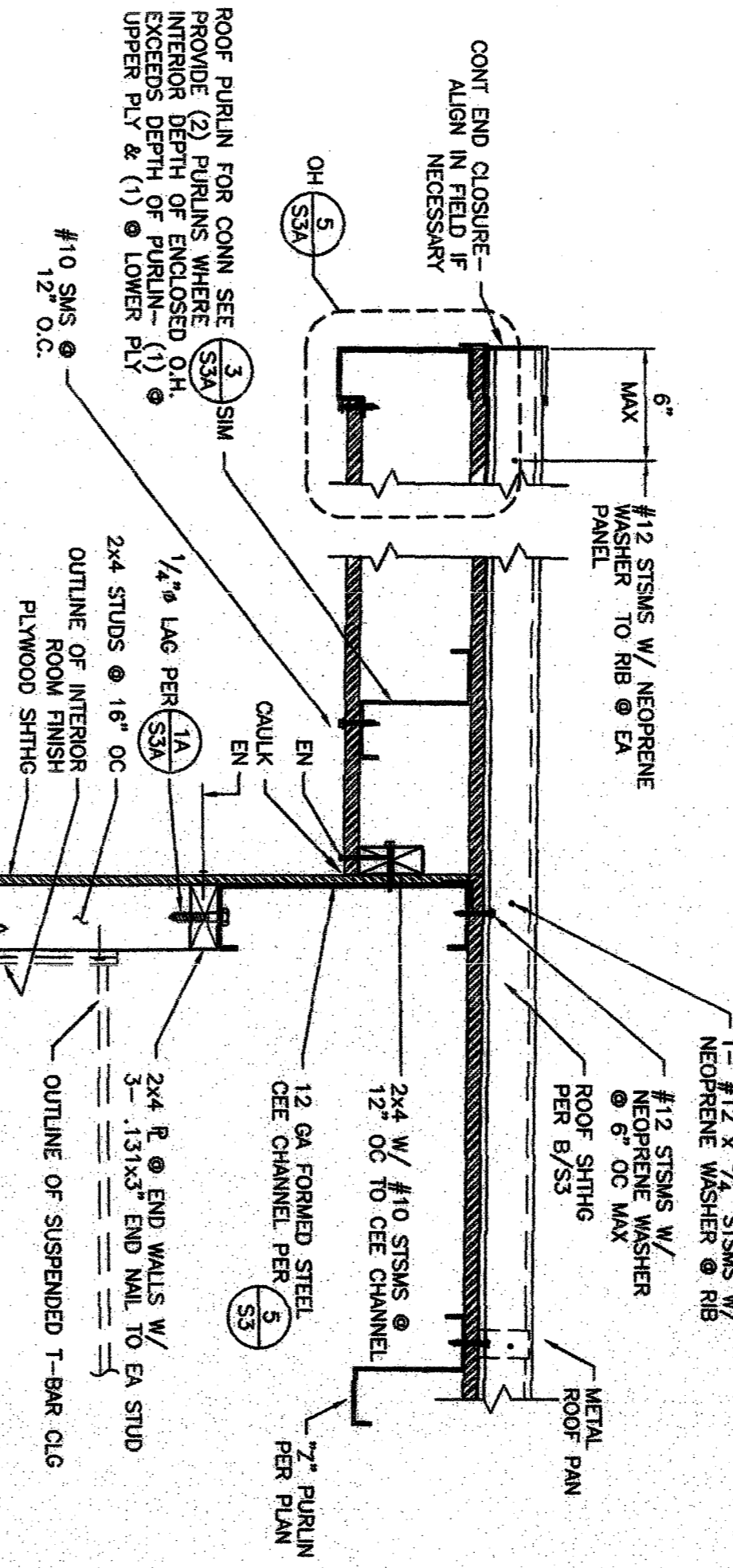
3B  
S3A  
1 1/2\"/>



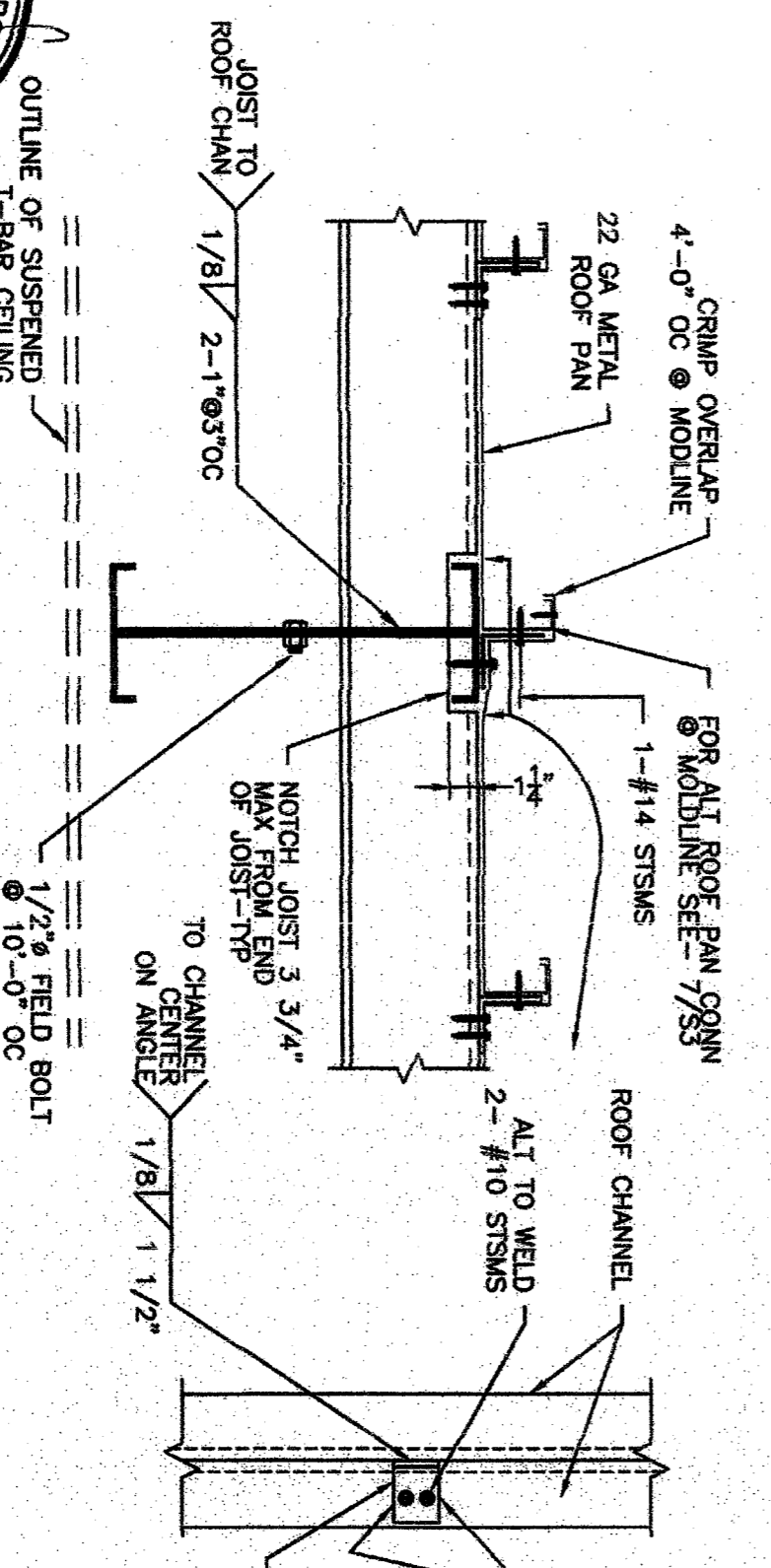
4A  
S3A  
1 1/2\"/>



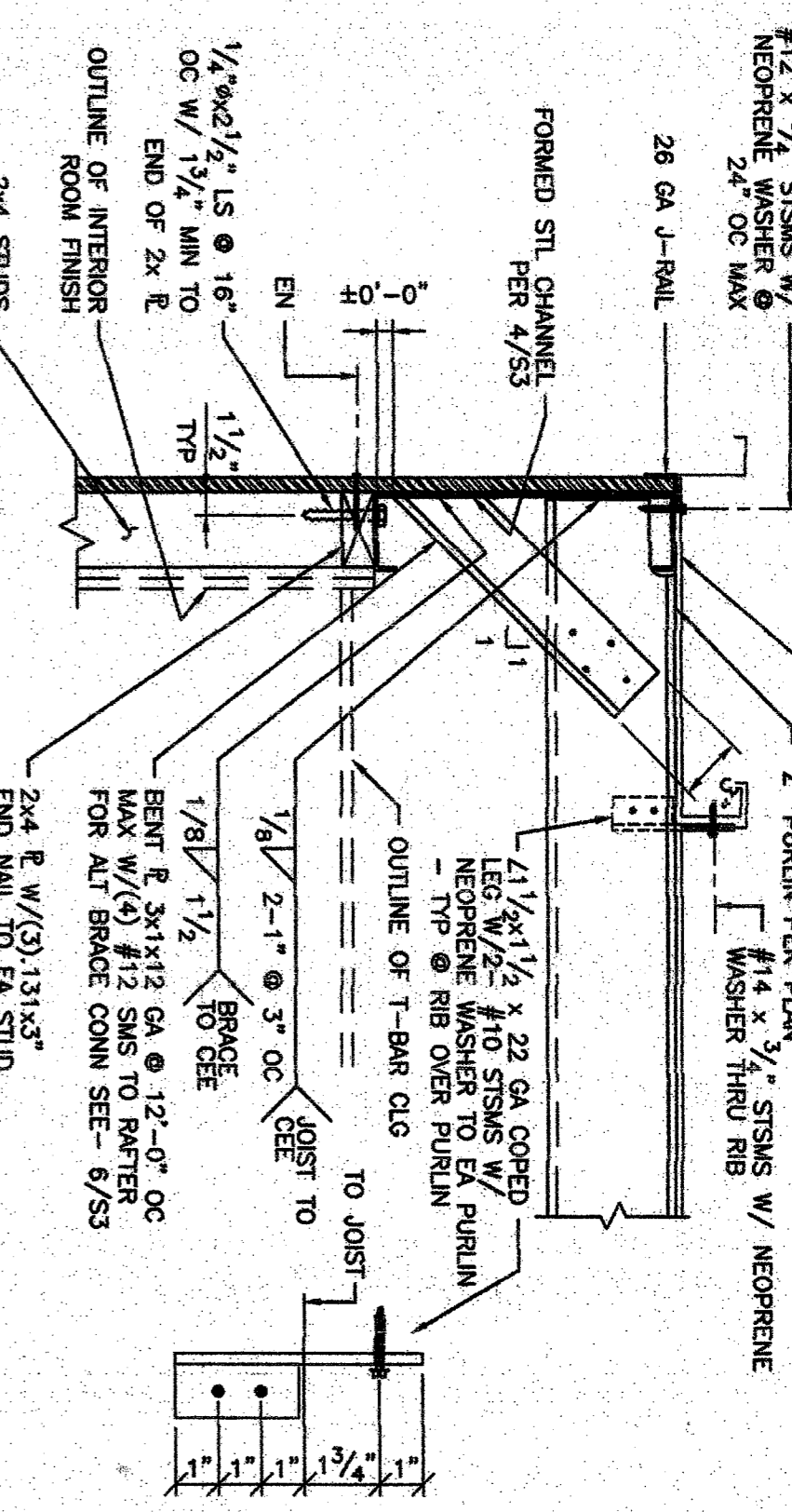
2A  
S3A  
1 1/2\"/>



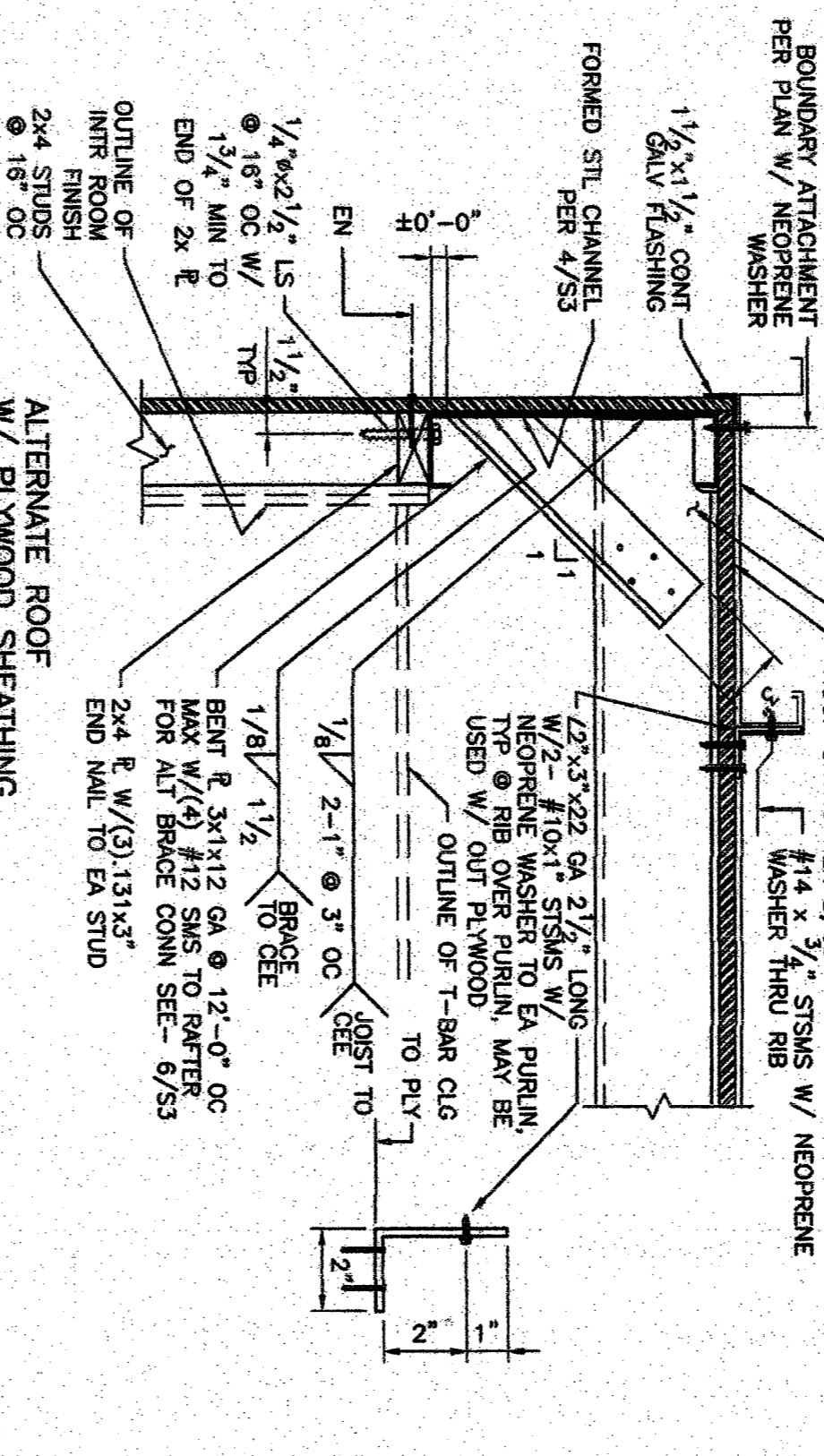
2B  
S3A  
1 1/2\"/>



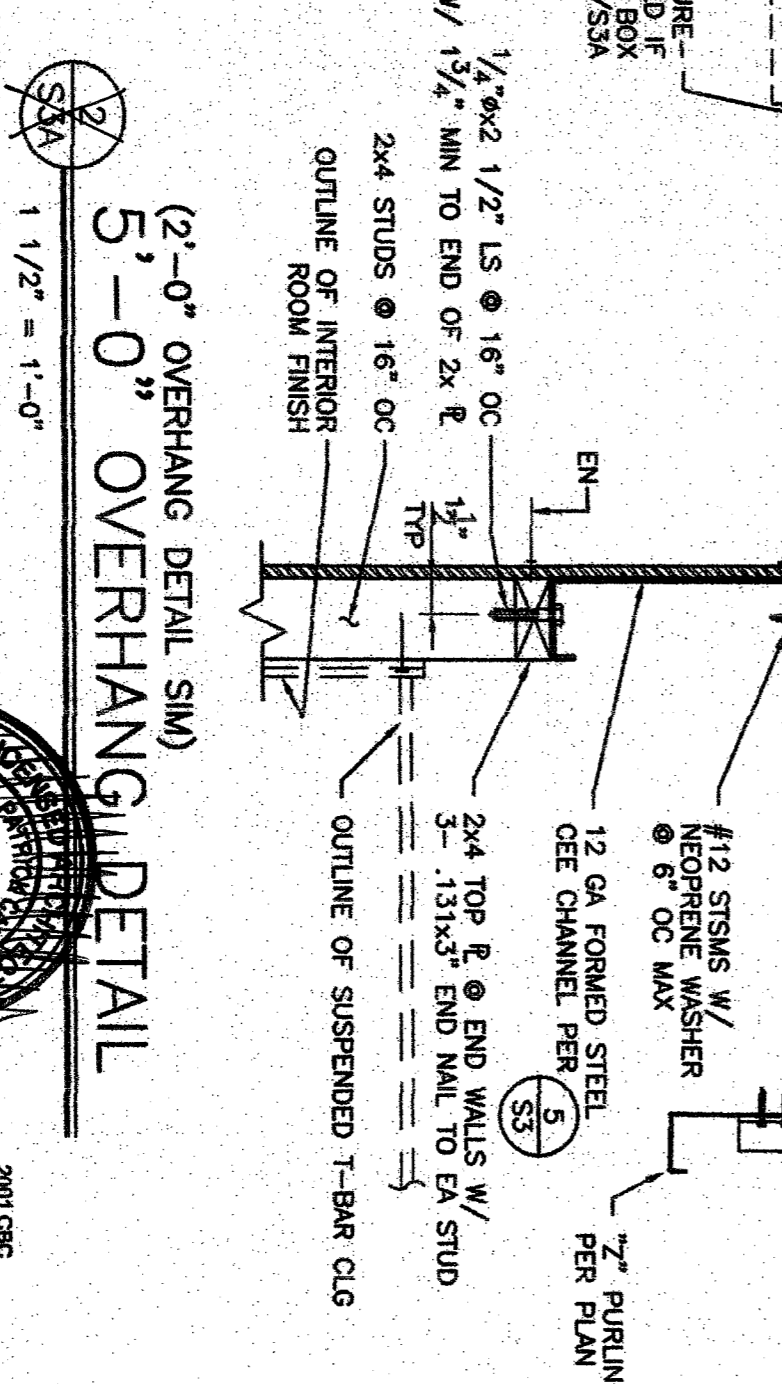
1A  
S3A  
1 1/2\"/>



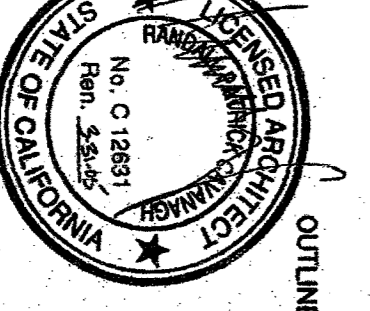
1B  
S3A  
1 1/2\"/>



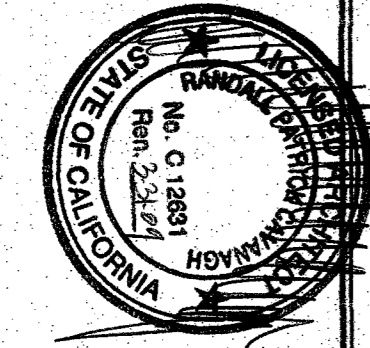
1A  
S3A  
1 1/2\"/>



1A  
S3A  
1 1/2\"/>



IDENTIFICATION STAMP  
DW. OF THE STATE ARCHITECT  
APPROX 110694  
AG - FLS  
DATE 11/10/03



IDENTIFICATION STAMP  
DW. OF THE STATE ARCHITECT  
APPROX 02156-02  
AG - FLS  
DATE 02/10/03

CUSTOMER:

ROOF SECTIONS & DETAILS

36 x 40  
RELOCATABLE  
CLASSROOM



DATE: 9/29/03

SCALE: AS NOTED  
DRAWN BY: REM  
DESIGNED BY: MUB  
CHECKED BY: WJL  
SERIAL NO.

REVISIONS

NO	DATE	DESCRIPTION

PROJECT NO:

02156-02

SHEET NO.  
S3A