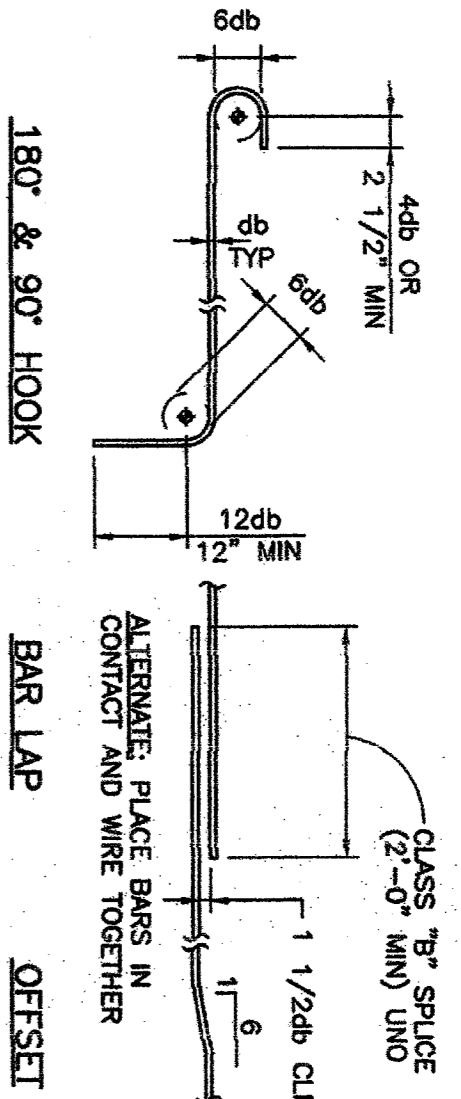


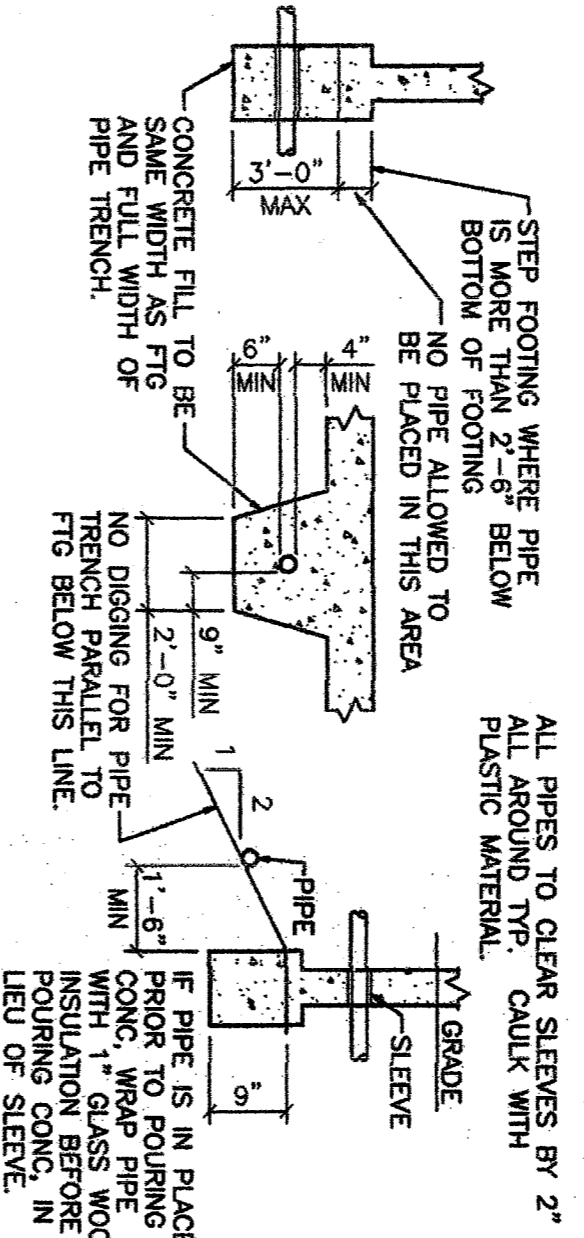
ANCHOR TYPE	HILLI KWIK BOLT II ICBO # 4827	SIMPSON WEDGE-ALL ICBO # 3631
ANCHOR SIZE (IN)	1/2"	1/2"
MIN EMBED (IN)	3 1/2"	3 3/8"
TENSION TEST (LB)	3000#	2796#
INSTALLATION TORQUE (FT-LB)	45	95
		60
		90

- TENSION TEST - 1.6 x ALLOWABLE TENSILE LOAD PER FR 19-1
- NORMAL WEIGHT CONCRETE WITH $f'_c = 2500$ PSI TO COMPLY WITH 1929A.8 FOR MATERIAL TEST VALUES

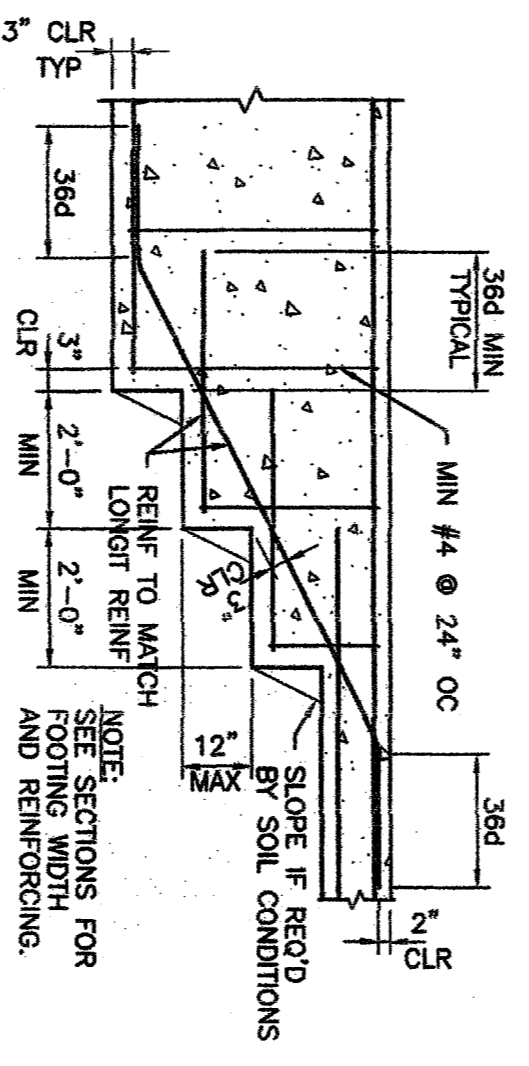
12
S1F
ANCHOR BOLT SCHEDULE
NO SCALE



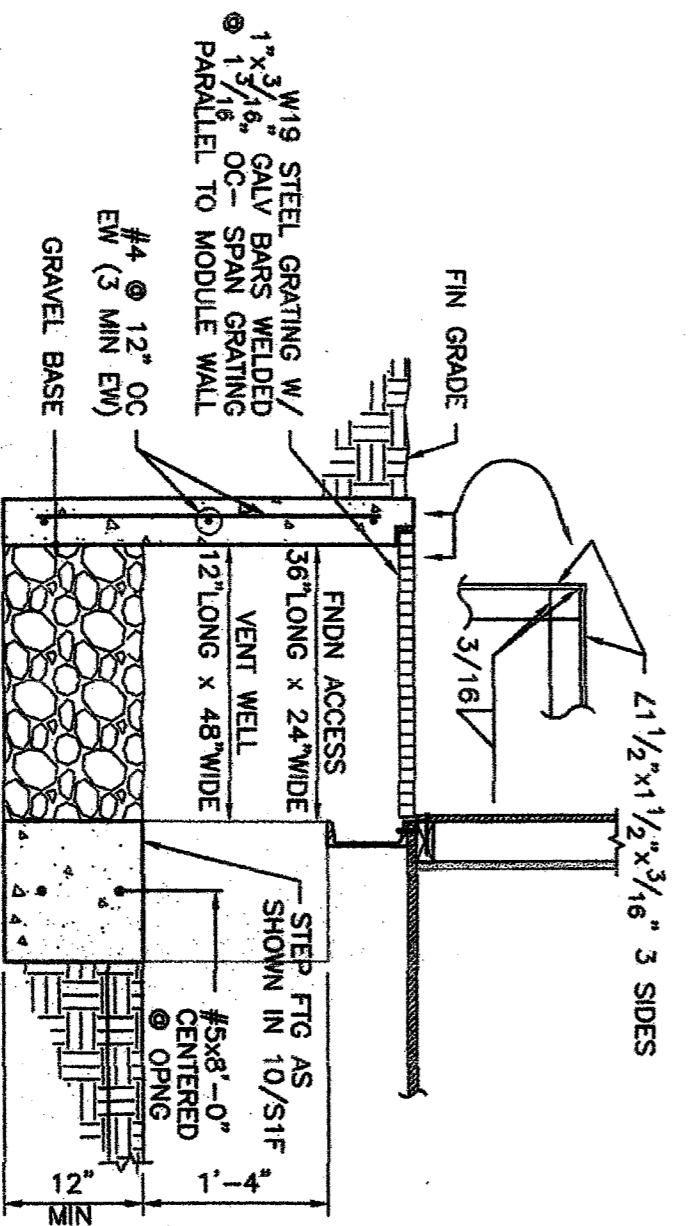
8
S1F
TYPICAL REINFORCING BENDS
1" = 1'-0"



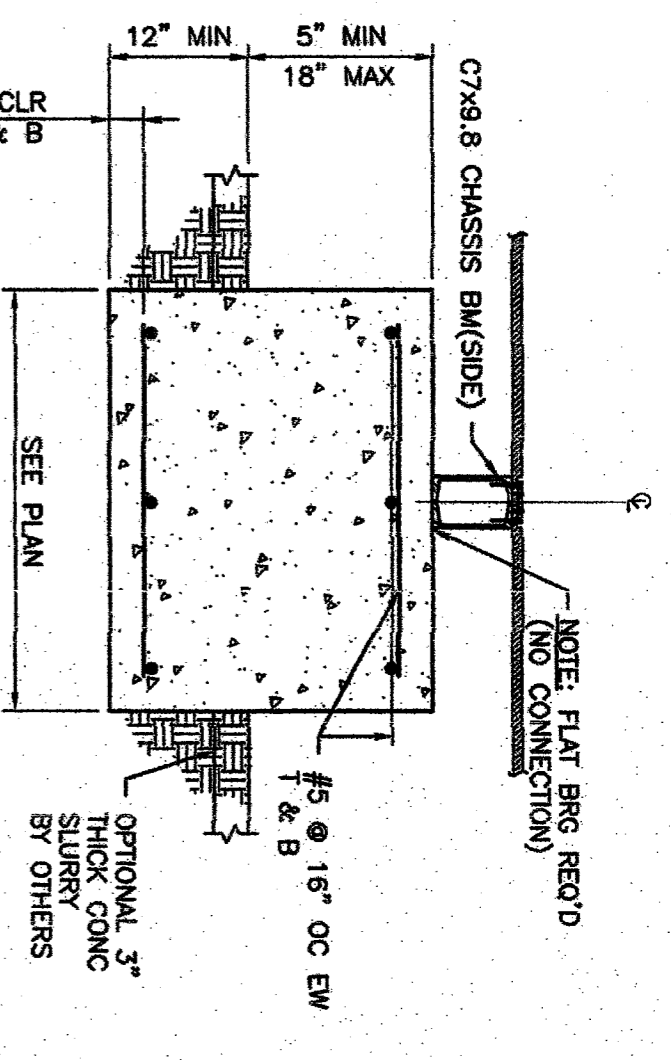
9
S1F
PIPE SLEEVE
DETAIL
1/2" = 1'-0"



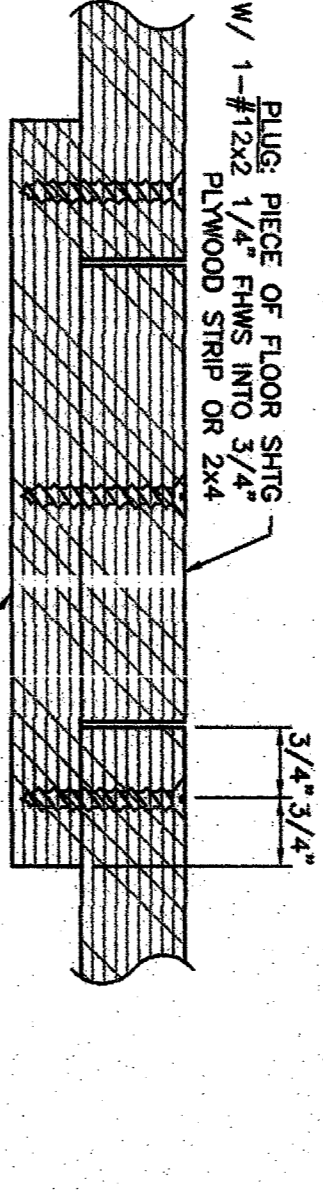
10
S1F
STEPPED FOOTING
DETAIL
3/8" = 1'-0"



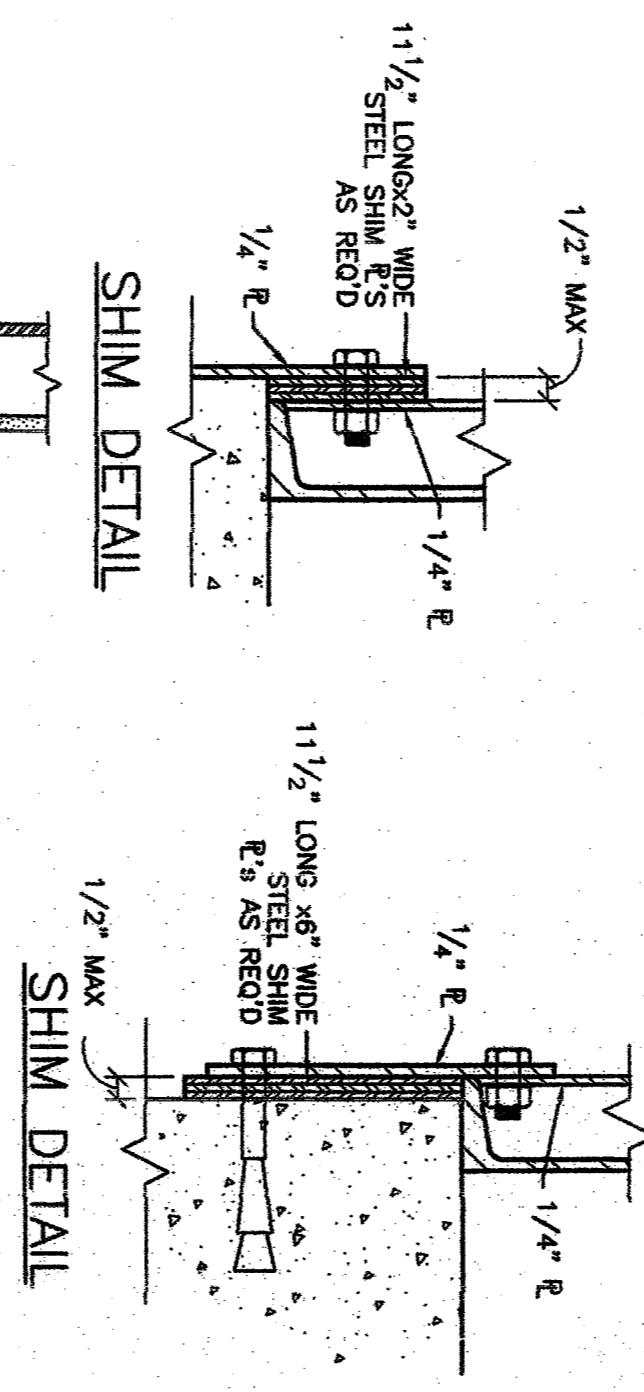
11
S1F
OPTIONAL FOUNDATION ACCESS
SECTION
3/4" = 1'-0"



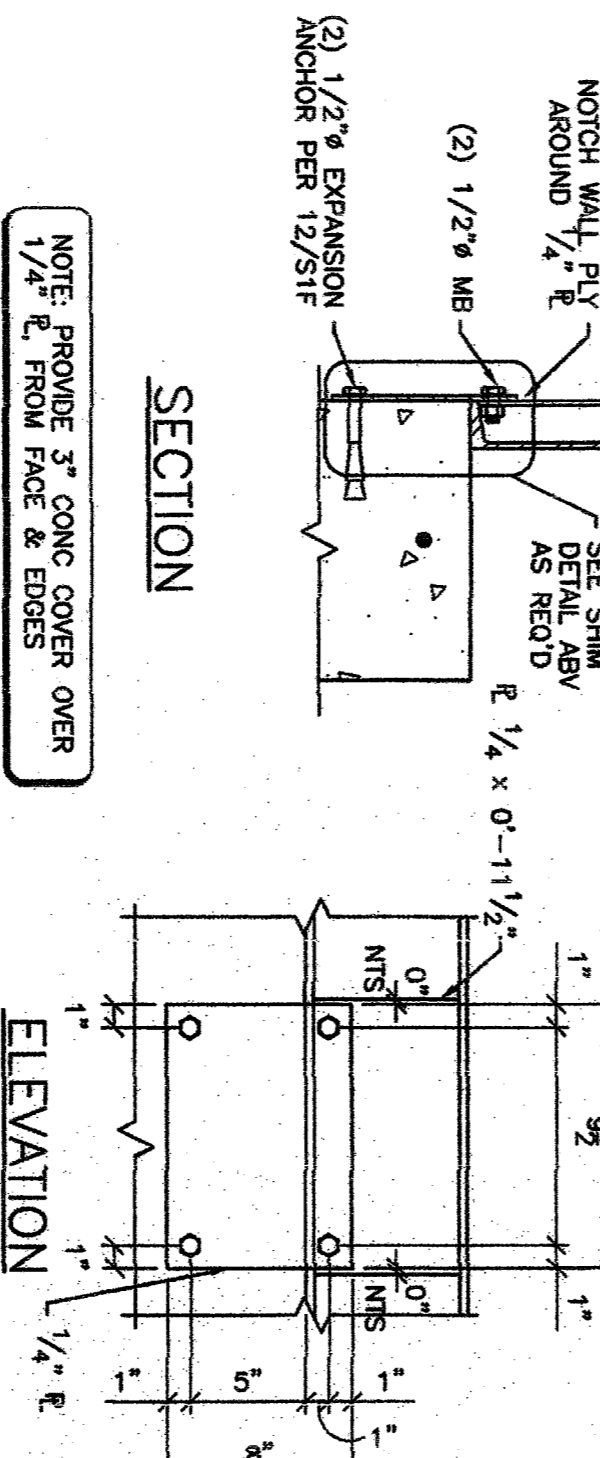
4
S1F
SECTION
3/4" = 1'-0"



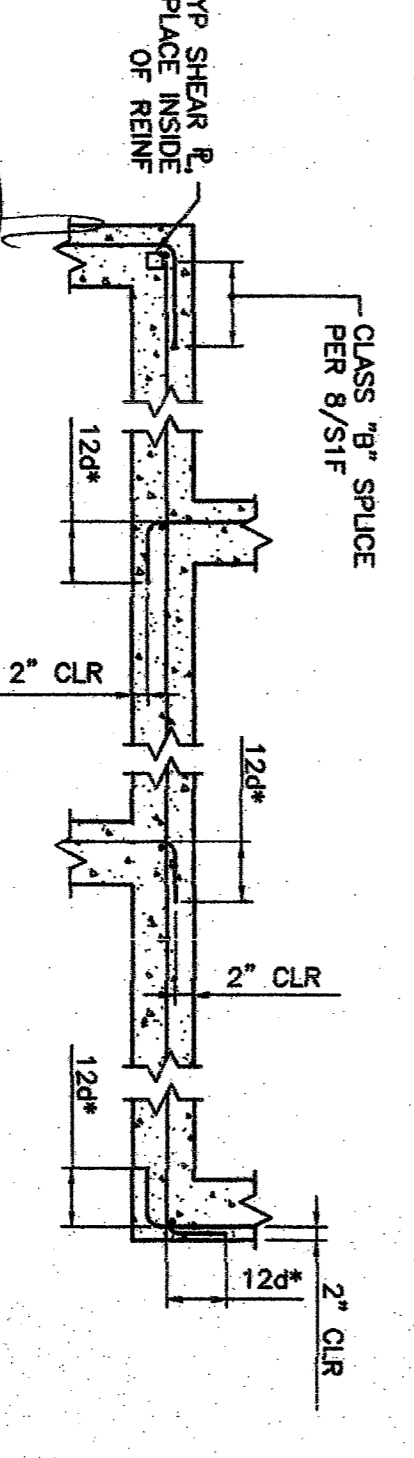
5
S1F
FILLER ACCESS HOLE
DETAIL
NO SCALE



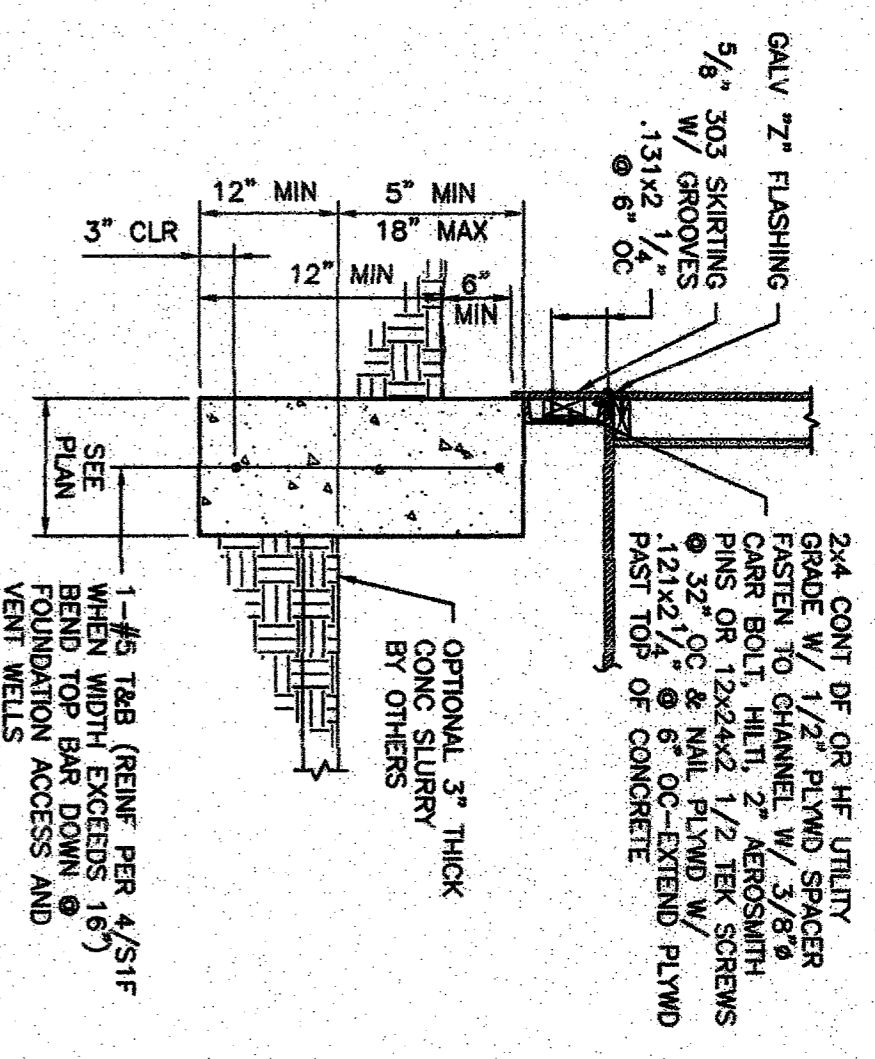
6
S1F
SHIM DETAIL
SECTION
1" = 1'-0"



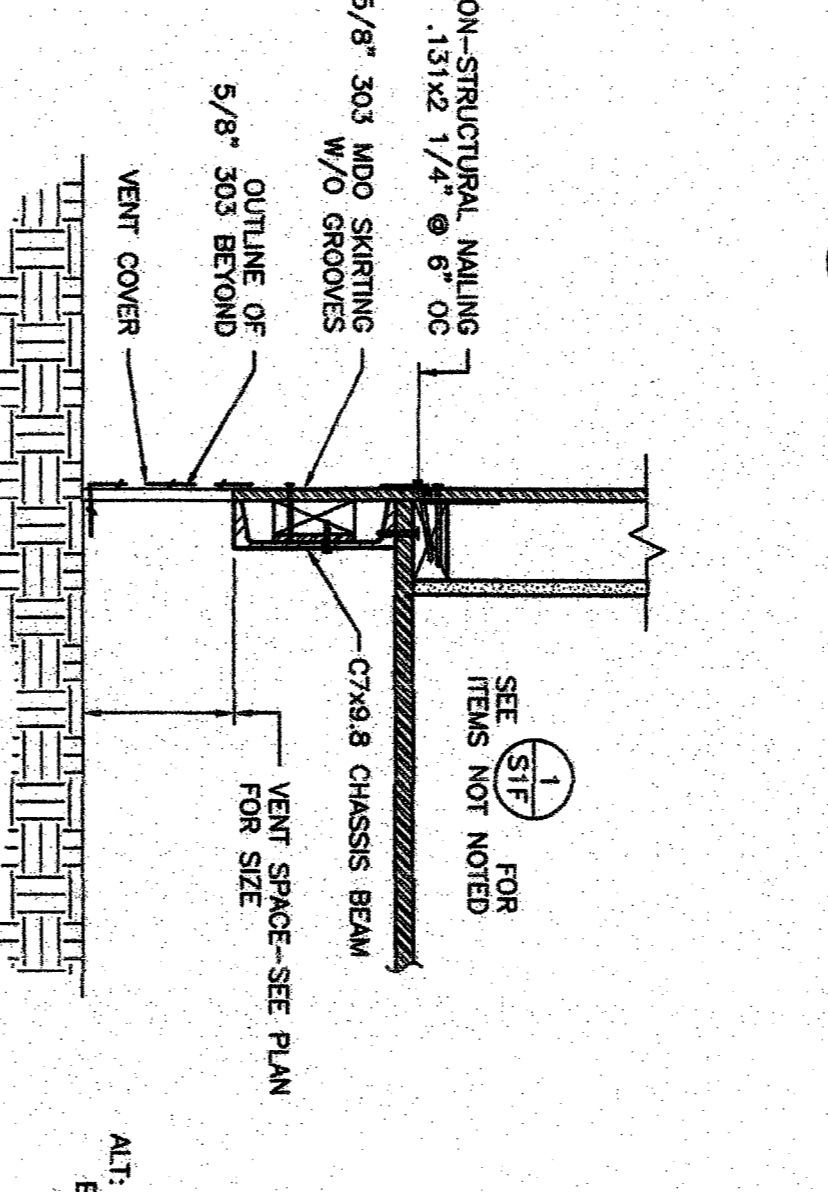
7
S1F
ALTERNATE SHEAR PLATE
DETAIL
1" = 1'-0"



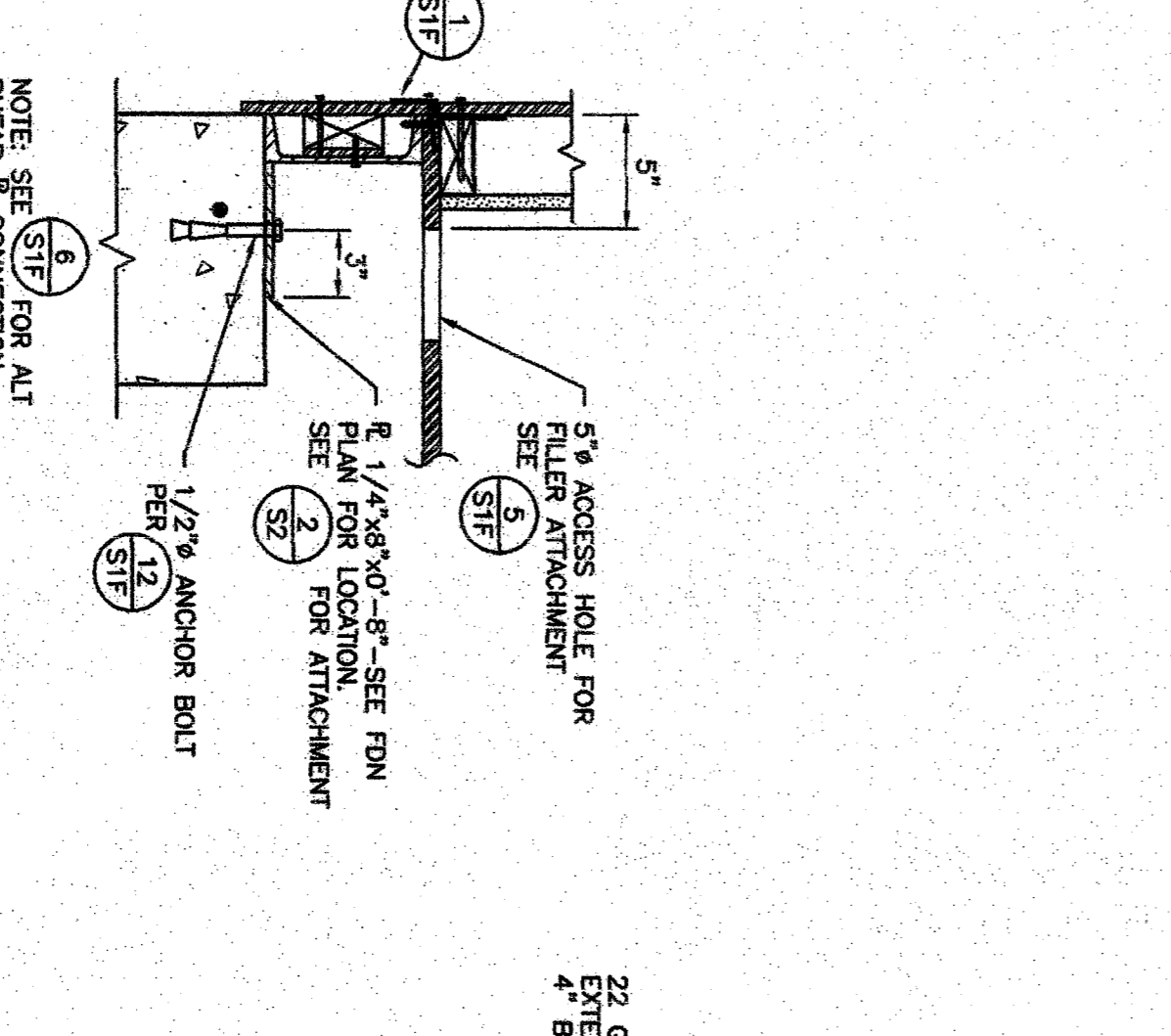
7
S1F
TOP WALL & FTG REINF SPLICES
DETAIL
NO SCALE



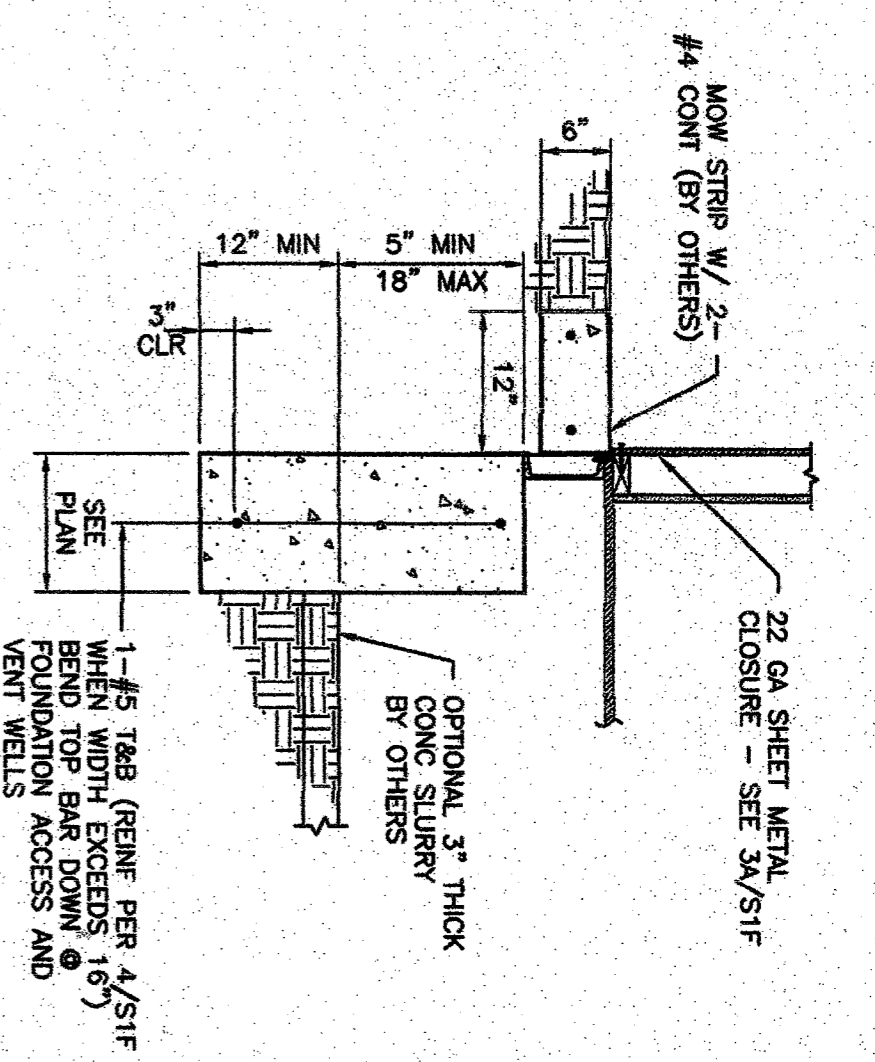
1
S1F
ABOVE GRADE
SECTION
3/4" = 1'-0"



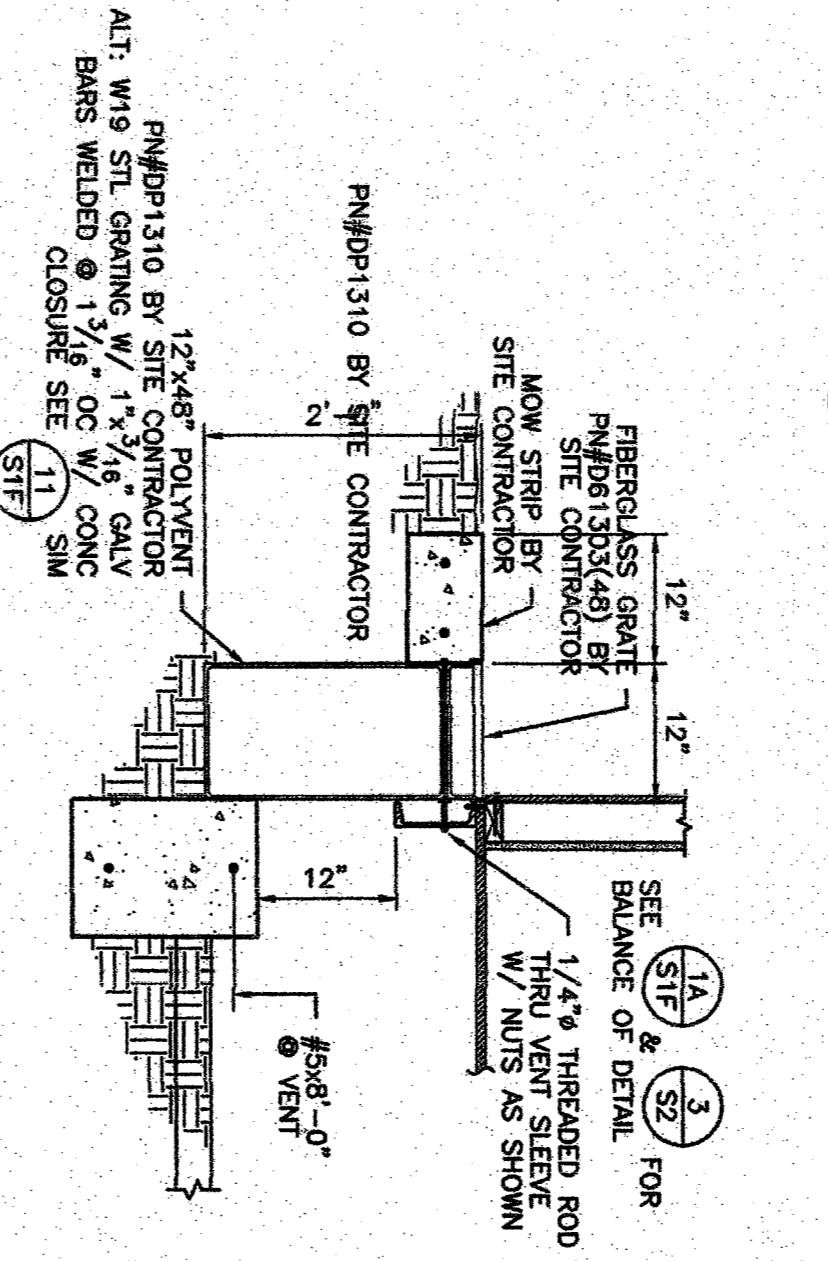
2
S1F
ABOVE GRADE
DETAIL
1 1/2" = 1'-0"



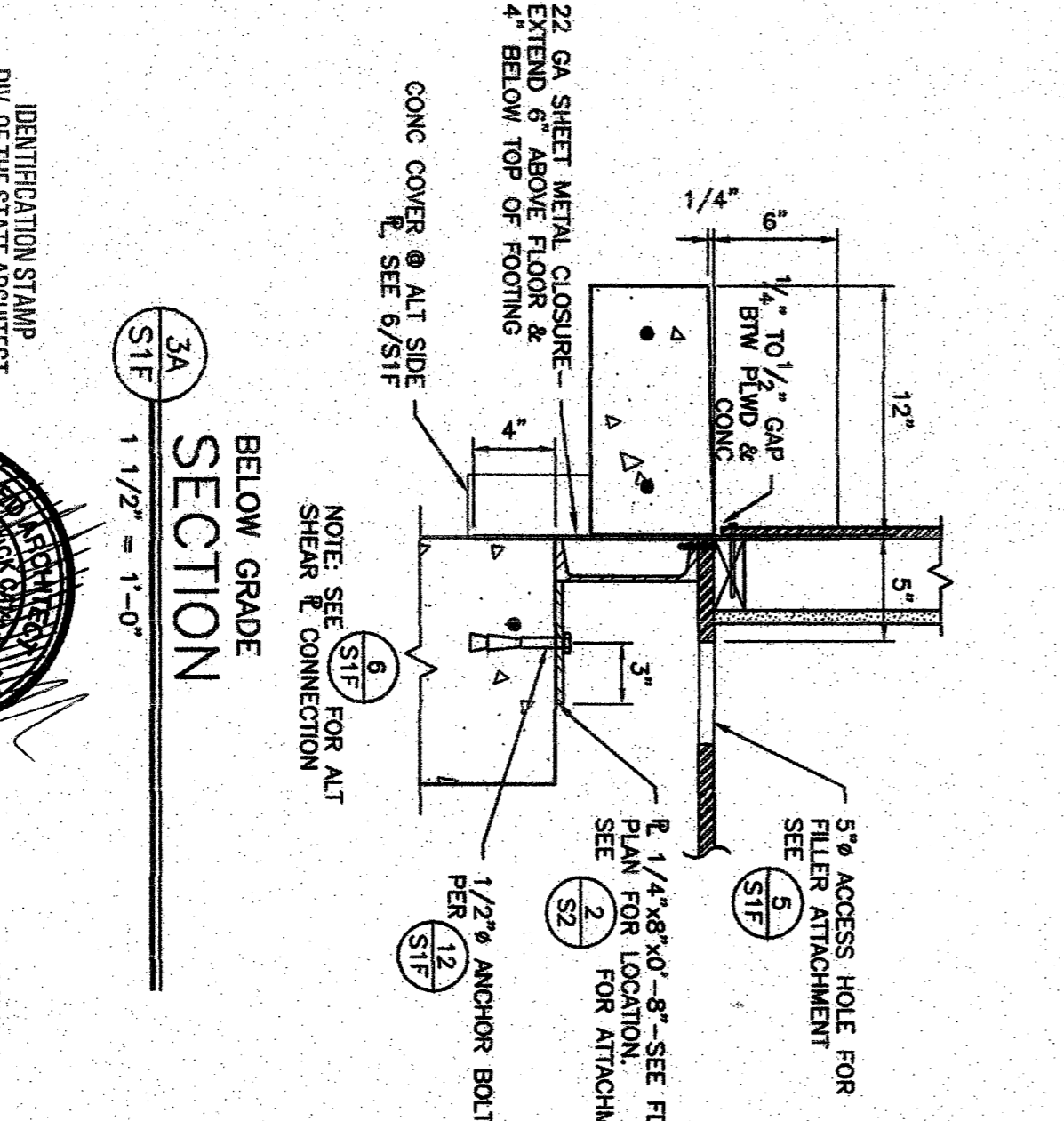
3
S1F
ABOVE GRADE
SECTION
1 1/2" = 1'-0"



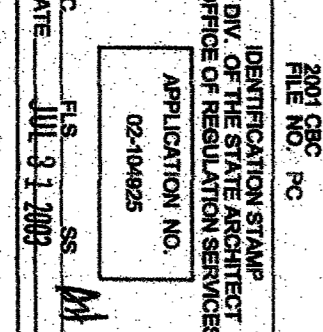
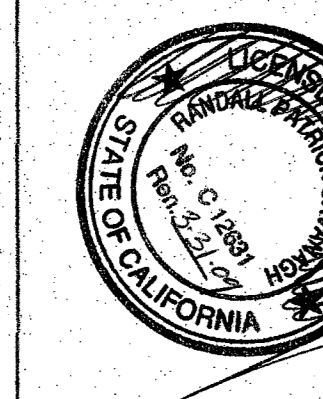
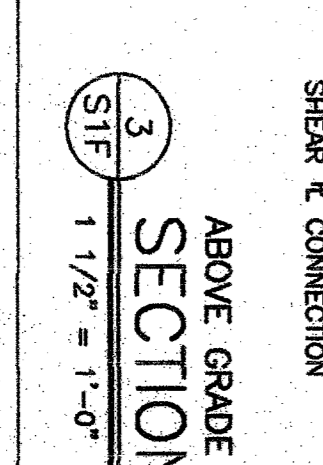
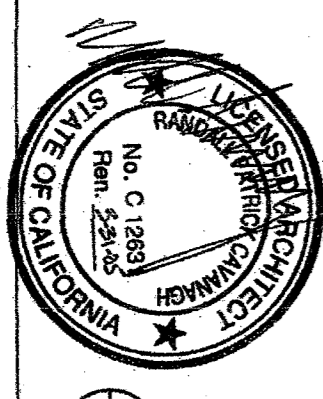
1A
S1F
BELOW GRADE
SECTION
3/4" = 1'-0"



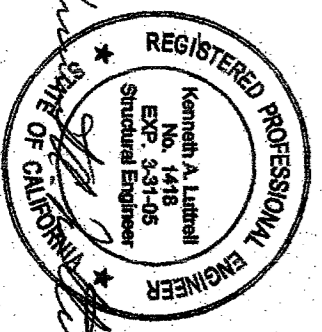
2A
S1F
BELOW GRADE
DETAIL
3/4" = 1'-0"



3A
S1F
BELOW GRADE
SECTION
1 1/2" = 1'-0"



36 x 40
RELOCATABLE
CLASSROOM



CUSTOMER:
CONCRETE FOUNDATION DETAILS

DATE: 5/29/03
SCALE: AS NOTED
DRAWN BY: RBM
DESIGNED BY: MJB
CHECKED BY: YAL
SERIAL NO.:

NO	DATE	DESCRIPTION

PROJECT NO.
02156-02
SHEET NO.
S1F

IDENTIFICATION STAMP
APPD 110694
AC FLS SS
DATE JUN 0 5 2002

IDENTIFICATION STAMP
APPD 110694
AC FLS SS
DATE JUN 0 5 2002