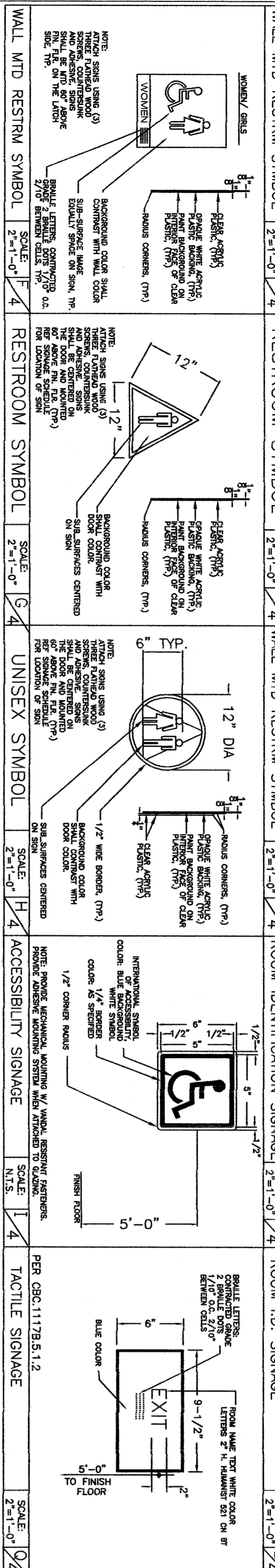
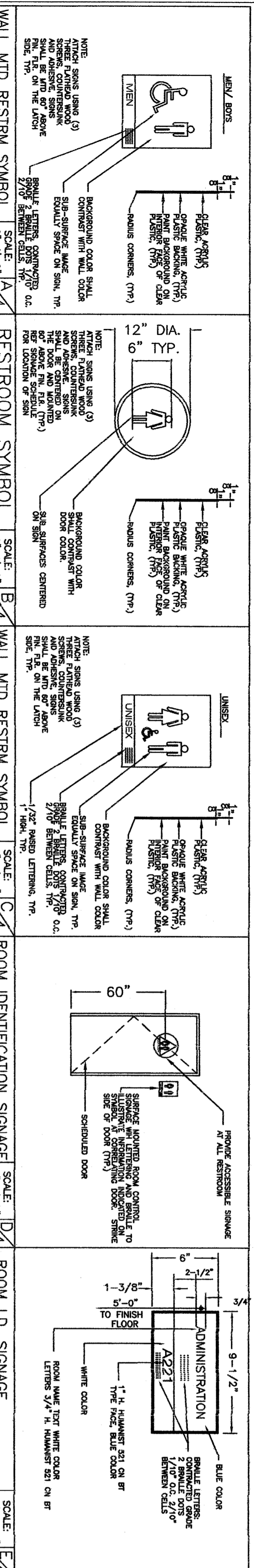
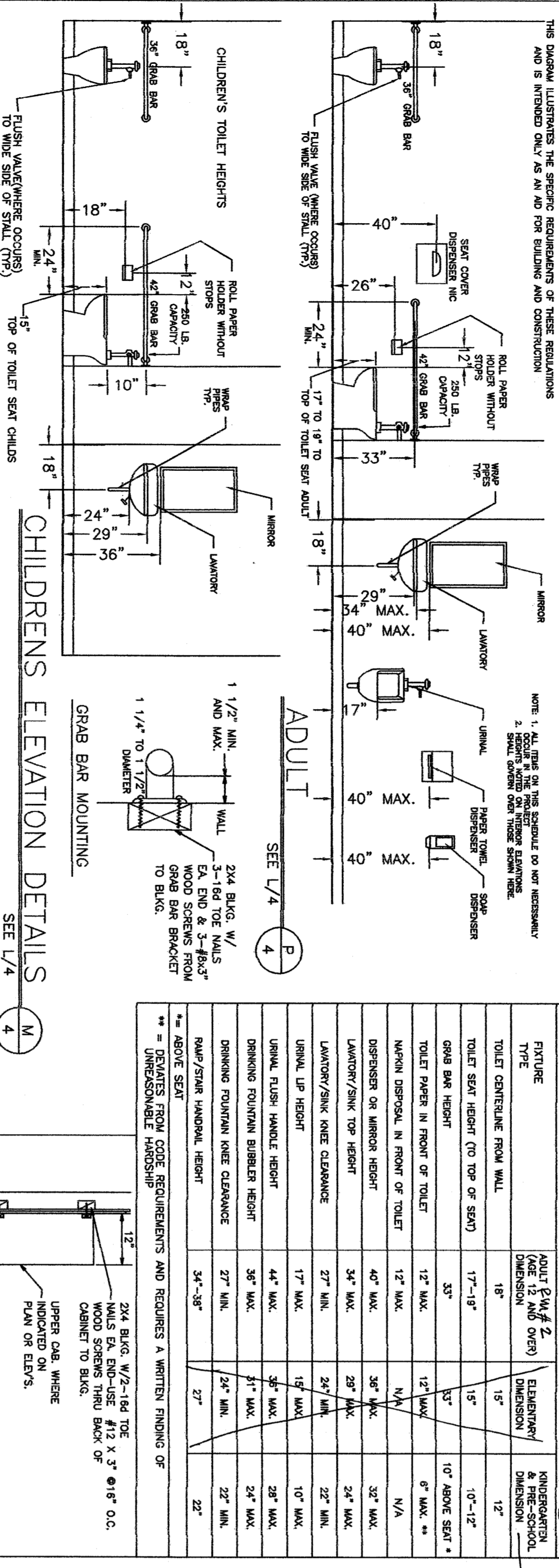


ACCESSIBILITY SIGNAGE (AS REQUIRED-BY DISTRICT)

NOTE: PER CBC 11178.5.1-1.10 PLACE 12" ROUND OR TRIANGULAR SIGNS ON EACH TOILET ROOM DOOR @ 48" ON THE WALL ON THE LATCH SIDE OF DOOR FRAME. THIS SIGN SHALL READ AS FOLLOWS:



ACCESSIBLE SANITARY FACILITIES (DETAILS)



DIMENSIONS FOR ACCESSIBILITY IN TOILET FACILITIES

FEATURE	ADULT (MIN. & MAX.)	CHILDREN'S (MIN. & MAX.)	MINIMUM CLEARANCE DIMENSION
TOILET CENTRELINE FROM WALL	18"	15"	12"
TOILET SEAT HEIGHT (TO TOP OF SEAT)	17"-18"	15"	10"-12"
GRAB BAR HEIGHT	33"	33"	10" ABOVE SEAT *
TOILET PAPER IN FRONT OF TOILET	12" MAX.	12" MAX.	6" MAX. **
WASH DISPENSER IN FRONT OF TOILET	12" MAX.	N/A	N/A
WASH DISPENSER OR MIRROR HEIGHT	40" MAX.	32" MAX.	32" MAX.
WASH DISPENSER/MIRROR TOP HEIGHT	34" MAX.	32" MAX.	32" MAX.
WASH DISPENSER/SINK CLEARANCE	27" MAX.	24" MAX.	22" MAX.
WASH DISPENSER/SINK HEIGHT	17" MAX.	15" MAX.	10" MAX.
WASH DISPENSER/SINK CLEARANCE	44" MAX.	32" MAX.	32" MAX.
WASH DISPENSER/SINK HEIGHT	32" MAX.	31" MAX.	24" MAX.
WASH DISPENSER/SINK CLEARANCE	27" MAX.	24" MAX.	22" MAX.
WASH DISPENSER/SINK HEIGHT	34"-35"	27"	22"

* * * ABOVE SEAT
** * UNDEVELOPED HANDS

ROOM FINISHES SCHEDULE

ROOM NUMBER	FLOOR	BASE	FRONT	REAR	RIGHT	LEFT	CEILING	CEILING HEIGHT	REMARKS
1	CLASSROOM	D	F	F	F	F	J	8'-6"	
2	TOILET RMS	B	E	I	I	J	J	8'-6"	

DOOR SCHEDULE SEE SHT. 1 FOR LOCATION

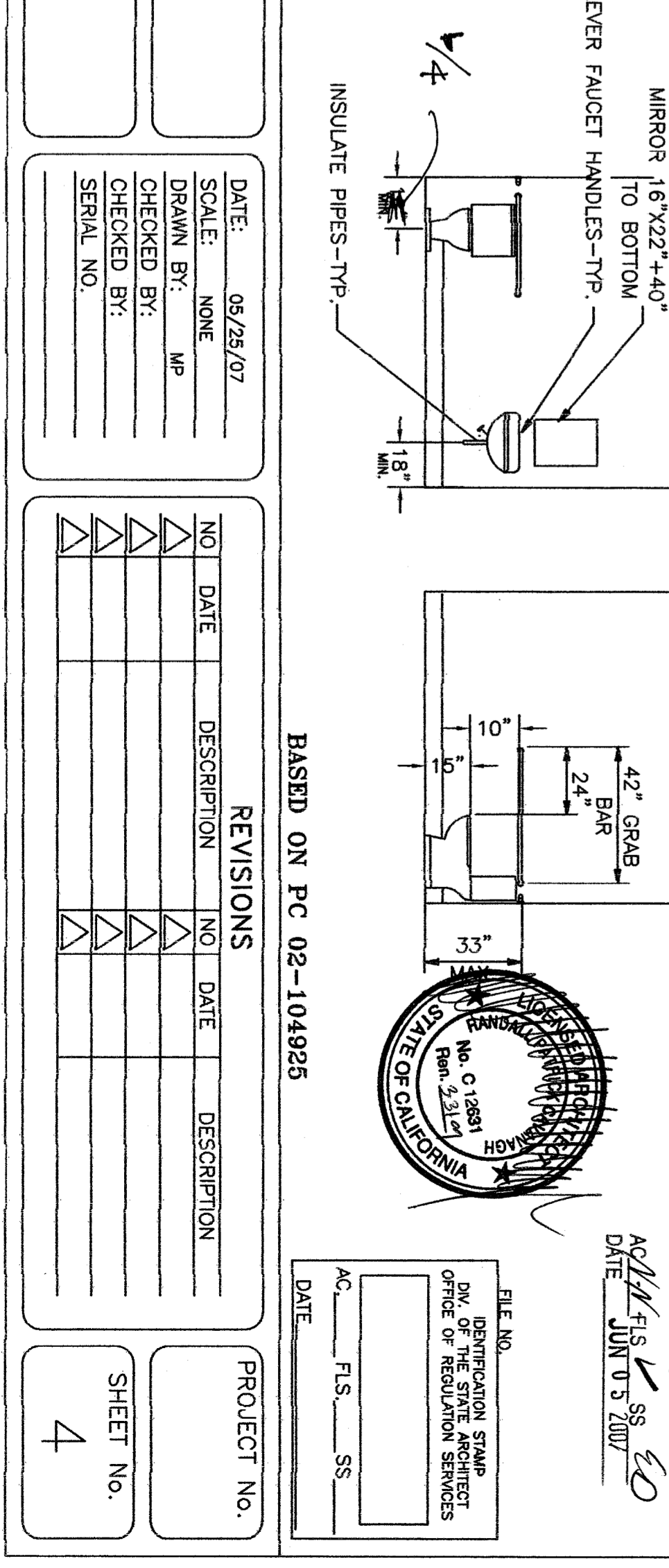
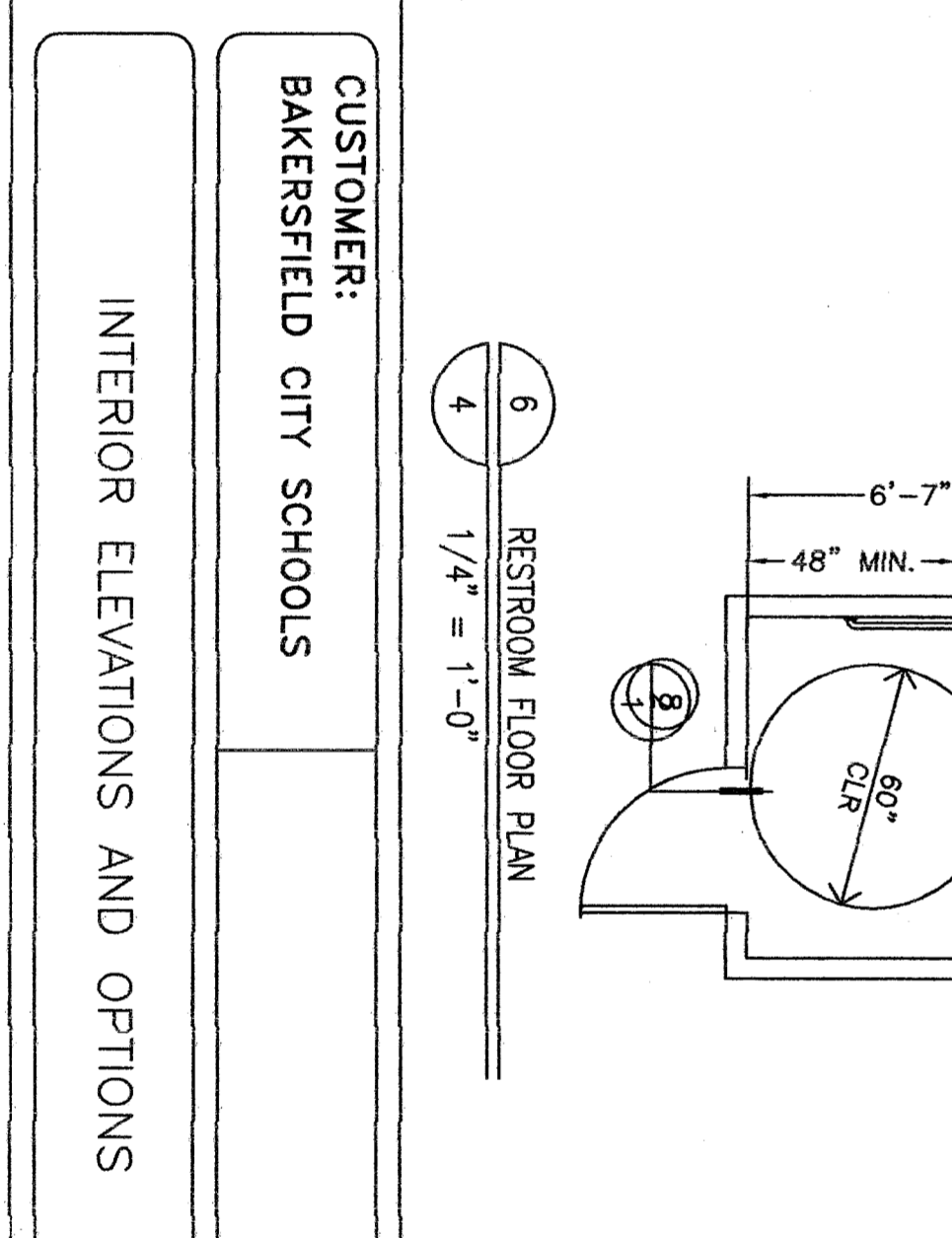
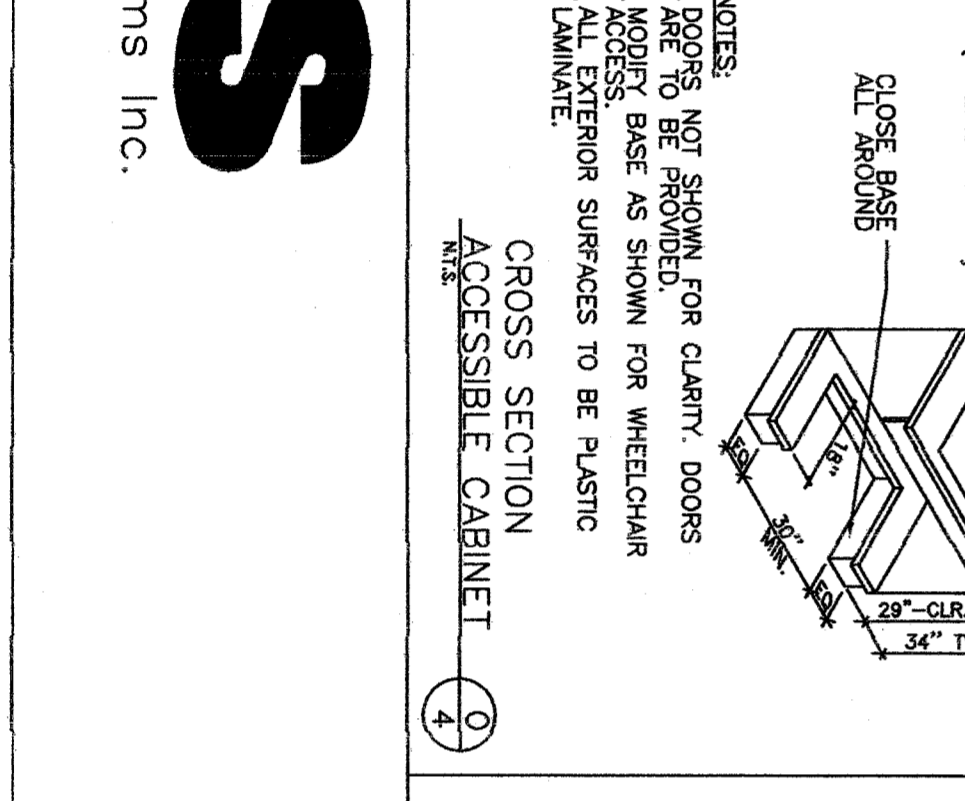
DOORS	FRAMES
1	3'-0" x 7'-0"
2	3'-0" x 7'-0"

WINDOW SCHEDULE SEE SHT. 1 FOR LOCATION

WINDOW NO.	MAAT	TYPE	WIDTH	HEIGHT	FINISH	GLASS TYPE
(A)	2	S.D.	8'-0"	4'-0"	BRONZE	SOLAR GREY
(B)	1	FIXED	4'-0"	4'-0"		

WINDOW SCHEDULE SEE SHT. 1 FOR LOCATION

WINDOW NO.	MAAT	TYPE	WIDTH	HEIGHT	FINISH	GLASS TYPE
(A)	2	S.D.	8'-0"	4'-0"	BRONZE	SOLAR GREY
(B)	1	FIXED	4'-0"	4'-0"		



CUSTOMER:
BAKERFIELD CITY SCHOOLS

DATE: 08/25/07
SCALE: NONE
DRAWN BY: MP
CHECKED BY:
SERIAL NO.:

NO. **DATE** **DESCRIPTION**

NO. **DATE** **DESCRIPTION**

NO. **DATE** **DESCRIPTION**

NO. **DATE** **DESCRIPTION**

PROJECT NO.
SHEET NO. 4

IDENTIFICATION STAMP
DIV. OF THE STATE ARCHITECT
APPD 110694
DATE JUN 03 2007
FILE NO. 04-13851
OFFICE OF THE STATE ARCHITECT
DIVISION OF RESOLUTION SERVICES

