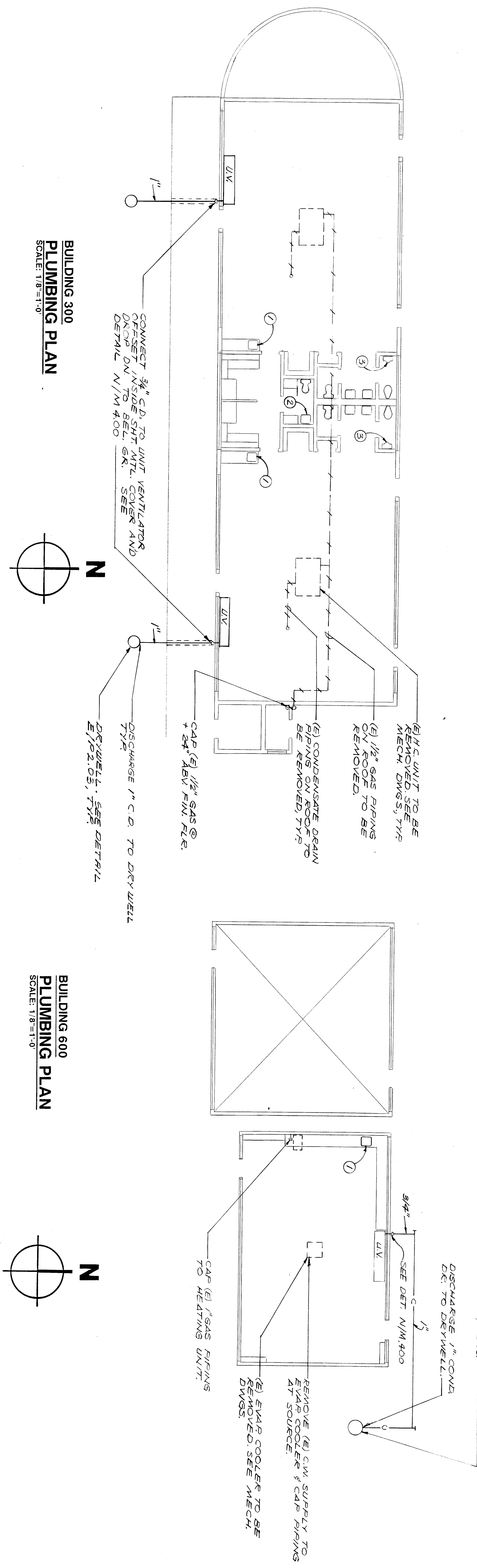


- KEYNOTES
- EXISTING SINK TO BE REMOVED, SCRUBBED CLEAN AND RESET AFTER REPAIRS. REPAIR WORK IS COMPLETE. PROVIDE NEW S.T.-1 WATER SUPPLY, FLOOR AND TRAP AND RECONNECT TO EXISTING PIPING.
 - EXISTING LAVATORY TO REMAIN. SCRUB CLEAN AND PROVIDE NEW WATER STOP SUPPLY, FLOOR, AND TRAP AND RECONNECT TO EXISTING PIPING.
 - EXISTING URINAL TO REMAIN. SCRUB CLEAN AND PROVIDE NEW WATER ASSEMBLY. RECONNECT TO EXISTING PIPING.

NOTE:

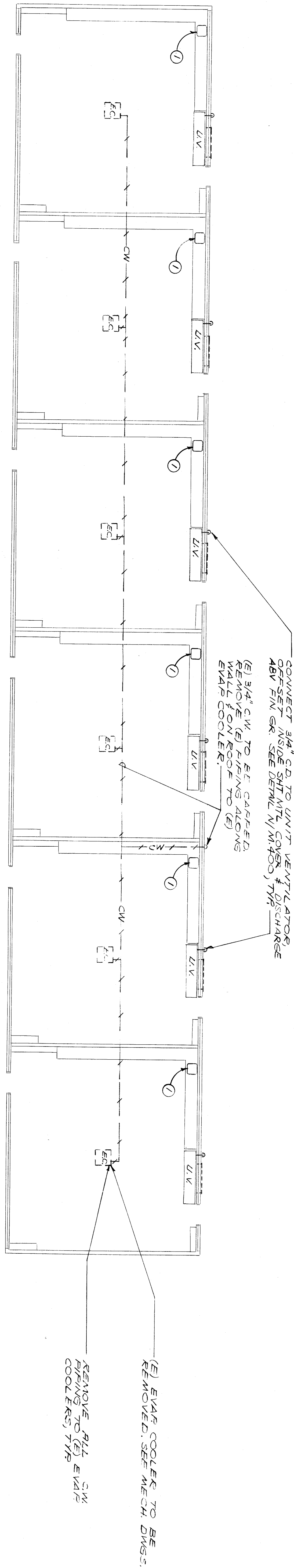
ALL KEY NOTE NUMBERS ON THIS SHEET REFER TO THE ITEMS ON THIS SHEET ONLY AND DO NOT APPLY TO THE NUMBERS SHOWN ELSEWHERE IN THIS SET OF PLANS. DRYWELL BEL. GR. SEE DETAIL E/P-203

DISCHARGE 1" COND. DR. TO DRYWELL.



**BUILDING 300
PLUMBING PLAN
SCALE: 1/8"=1'-0"**

**BUILDING 600
PLUMBING PLAN
SCALE: 1/8"=1'-0"**



**BUILDING 200
PLUMBING PLAN
SCALE: 1/8"=1'-0"**

bfgc architects planners inc.
 P.O. Box 9898 Bakersfield California 93398-9898
 31 South Reed Road 93309 (805) 832 8122

D.P. GONZALES
 D.P. GONZALES

Job no. _____
 date _____
 drawn by R. GONZALES
 checked by D. OUSTAD
 copyright _____

202

**BUILDINGS 200, 300, & 600
PLUMBING PLAN**

FOR
**ROOSEVELT
 SCHOOL
 MODERNIZATION**
 BAKERSFIELD CITY SCHOOL
 DISTRICT

Donald R. Lantieri
Donald R. Lantieri & Associates
 CONSULTING MECHANICAL ENGINEERS INCORPORATED
 609 24th Street
 Bakersfield, California 93311
 (805) 338-4421