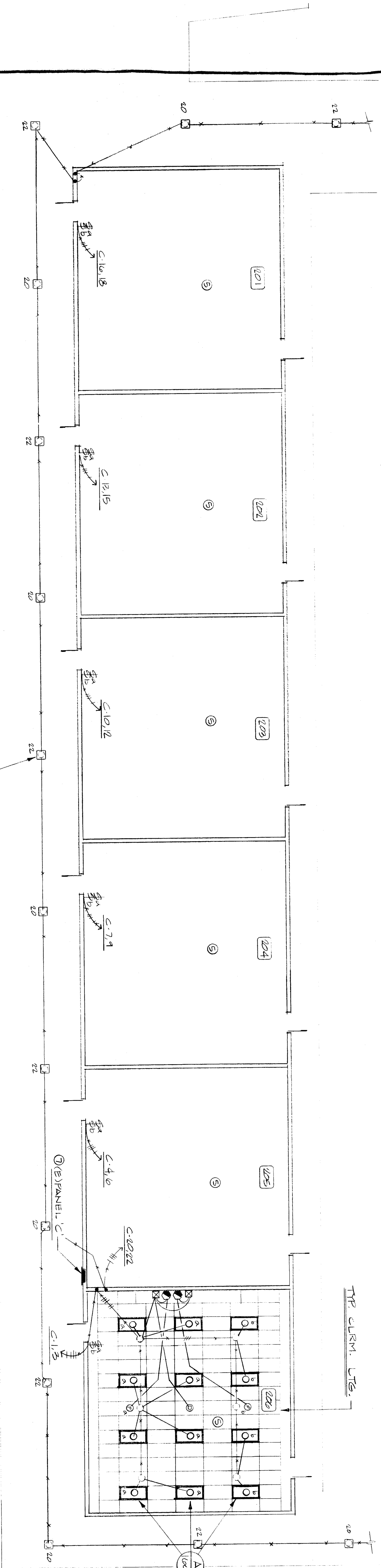


BLDG. 200
POWER & SIGNAL FLOOR PLAN
1/8" = 1'-0"

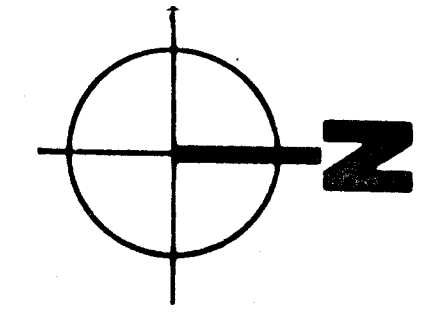


BLDG. 200
LIGHTING FLOOR PLAN
1/8" = 1'-0"

- REFERENCE NOTES: THIS SHEET ONLY:
- 1 EXTEND EXISTING OUTLET WITH WIREMOLD #5751, 8BX AND INSTALL NEW SURFACE METAL RACEWAY IN ROOM 200. SENSITIVE MOUNTED OUTLET BOX #5727 AS SHOWN. RACEWAY TO BE PAINTED TO MATCH WALL. TYPICAL EACH CLASSROOM.
 - 2 USE EXISTING A/C CIRCUIT FOR NEW UNIT VENTILATOR AS SHOWN. TYPICAL EACH CLASSROOM.
 - 3 INTERCEPT EXISTING RACEWAY AND INSTALL NEW HOMERUN AS SHOWN.
 - 4 EXISTING RACEWAY TO BE RECONNECTED AND REWIRING.
 - 5 REMOVE EXISTING CLASS ROOM LIGHTING AND INSTALL NEW LIGHTING. SENSING AND CONTROL AS SHOWN. CONNECT NEW LIGHTING TO EXISTING CIRCUITS AS SHOWN. TYPICAL EACH CLASSROOM. OLD FIXTURES SHALL BE TURNED OVER TO OWNER. INSTALL NEW SWITCHES.
 - 6 RETROFIT CORRIDOR LIGHTING WITH NEW FIXTURES SHOWN. RECONNECT TO EXISTING SWITCHES.
 - 7 EXISTING PANEL REWORKED. INSTALL NEW BUS BARS, CIRCUIT BREAKERS, MAIN BREAKER, ETC., IN EXISTING CAN.
 - 8 EXISTING PANEL REWORKED. INSTALL NEW BUS BARS, CIRCUIT BREAKERS, MAIN BREAKER, ETC., IN EXISTING CAN.
 - 9 EXISTING PANEL REWORKED. INSTALL NEW BUS BARS, CIRCUIT BREAKERS, MAIN BREAKER, ETC., IN EXISTING CAN.
 - 10 CUT AND PATCH EXISTING WALLS TO CONCEAL ELECTRICAL WORK WHERE REQUIRED FOR INSTALLATION OF NEW DEVICES.
 - 11 REUSE EXISTING WIRING WHERE POSSIBLE.

| NO. | DESCRIPTION | QTY | UNIT PRICE | TOTAL |
|--------|--------------------|-----|------------|---------|
| 1 | CONTROL PANEL | 1 | 441.00 | 441.00 |
| 2 | ZONE DETECTOR MOD. | 1 | 206.00 | 206.00 |
| 3 | ACT. MODULE | 1 | 163.00 | 163.00 |
| 4 | ACT. RELAY MOD. | 1 | 453.00 | 453.00 |
| 5 | SMOKE RELAY | 1 | 513.00 | 513.00 |
| 6 | SMOKE DETECTORS | 44 | 100.00 | 4400.00 |
| 7 | STRONG ARMS | 8 | 13.00 | 104.00 |
| 8 | STRONG ARMS | 15 | 13.00 | 195.00 |
| TOTALS | | | | 6706.00 |

| PANEL C | | | TYPE (E) | | |
|-----------|-------------|-----------|-------------|-----------|---------|
| CIRCUIT | USE | LOAD TYPE | TYPE | LOAD TYPE | CIRCUIT |
| NO. | DESCRIPTION | CB | DESCRIPTION | CB | NO. |
| 1 | TRACERS | 1 | TRACERS | 1 | 1 |
| 2 | TRACERS | 1 | TRACERS | 1 | 2 |
| 3 | TRACERS | 1 | TRACERS | 1 | 3 |
| 4 | TRACERS | 1 | TRACERS | 1 | 4 |
| 5 | TRACERS | 1 | TRACERS | 1 | 5 |
| 6 | TRACERS | 1 | TRACERS | 1 | 6 |
| 7 | TRACERS | 1 | TRACERS | 1 | 7 |
| 8 | TRACERS | 1 | TRACERS | 1 | 8 |
| 9 | TRACERS | 1 | TRACERS | 1 | 9 |
| 10 | TRACERS | 1 | TRACERS | 1 | 10 |
| 11 | TRACERS | 1 | TRACERS | 1 | 11 |
| 12 | TRACERS | 1 | TRACERS | 1 | 12 |
| 13 | TRACERS | 1 | TRACERS | 1 | 13 |
| 14 | TRACERS | 1 | TRACERS | 1 | 14 |
| 15 | TRACERS | 1 | TRACERS | 1 | 15 |
| 16 | TRACERS | 1 | TRACERS | 1 | 16 |
| 17 | TRACERS | 1 | TRACERS | 1 | 17 |
| 18 | TRACERS | 1 | TRACERS | 1 | 18 |
| 19 | TRACERS | 1 | TRACERS | 1 | 19 |
| 20 | TRACERS | 1 | TRACERS | 1 | 20 |
| 21 | TRACERS | 1 | TRACERS | 1 | 21 |
| 22 | TRACERS | 1 | TRACERS | 1 | 22 |
| 23 | TRACERS | 1 | TRACERS | 1 | 23 |
| 24 | TRACERS | 1 | TRACERS | 1 | 24 |
| 25 | TRACERS | 1 | TRACERS | 1 | 25 |
| 26 | TRACERS | 1 | TRACERS | 1 | 26 |
| 27 | TRACERS | 1 | TRACERS | 1 | 27 |
| 28 | TRACERS | 1 | TRACERS | 1 | 28 |
| 29 | TRACERS | 1 | TRACERS | 1 | 29 |
| 30 | TRACERS | 1 | TRACERS | 1 | 30 |
| 31 | TRACERS | 1 | TRACERS | 1 | 31 |
| 32 | TRACERS | 1 | TRACERS | 1 | 32 |
| 33 | TRACERS | 1 | TRACERS | 1 | 33 |
| 34 | TRACERS | 1 | TRACERS | 1 | 34 |
| 35 | TRACERS | 1 | TRACERS | 1 | 35 |
| 36 | TRACERS | 1 | TRACERS | 1 | 36 |
| 37 | TRACERS | 1 | TRACERS | 1 | 37 |
| 38 | TRACERS | 1 | TRACERS | 1 | 38 |
| 39 | TRACERS | 1 | TRACERS | 1 | 39 |
| 40 | TRACERS | 1 | TRACERS | 1 | 40 |
| 41 | TRACERS | 1 | TRACERS | 1 | 41 |
| 42 | TRACERS | 1 | TRACERS | 1 | 42 |
| 43 | TRACERS | 1 | TRACERS | 1 | 43 |
| 44 | TRACERS | 1 | TRACERS | 1 | 44 |
| 45 | TRACERS | 1 | TRACERS | 1 | 45 |
| 46 | TRACERS | 1 | TRACERS | 1 | 46 |
| 47 | TRACERS | 1 | TRACERS | 1 | 47 |
| 48 | TRACERS | 1 | TRACERS | 1 | 48 |
| 49 | TRACERS | 1 | TRACERS | 1 | 49 |
| 50 | TRACERS | 1 | TRACERS | 1 | 50 |
| 51 | TRACERS | 1 | TRACERS | 1 | 51 |
| 52 | TRACERS | 1 | TRACERS | 1 | 52 |
| 53 | TRACERS | 1 | TRACERS | 1 | 53 |
| 54 | TRACERS | 1 | TRACERS | 1 | 54 |
| 55 | TRACERS | 1 | TRACERS | 1 | 55 |
| 56 | TRACERS | 1 | TRACERS | 1 | 56 |
| 57 | TRACERS | 1 | TRACERS | 1 | 57 |
| 58 | TRACERS | 1 | TRACERS | 1 | 58 |
| 59 | TRACERS | 1 | TRACERS | 1 | 59 |
| 60 | TRACERS | 1 | TRACERS | 1 | 60 |
| SUB-TOTAL | | | | 6706.00 | |
| TOTAL | | | | 6706.00 | |



job no. 88-142
date 20 JAN 1989
drawn by FLW
CHK'd by CD
copyright 1989

bfgc architects planners inc.
p.o. box 9598 bakersfield california 93308-9598
31 south real road 93309
(805) 832 8122

DR. ALTMAN
C-8554 C-8021 C-8702
C-3132

8429-200
BUILDING 200

FOR
BAKERSFIELD CITY SCHOOL
DISTRICT

**ROOSEVELT
SCHOOL
MODERNIZATION**

MINISTAR ENGINEERS, INC.
1701 WEST AVENUE, SUITE 1000, BAKERSFIELD, CALIF. 93308
TELEPHONE (805) 832-8122
FAX (805) 832-8123

Signature
DATE 1/11/89

