

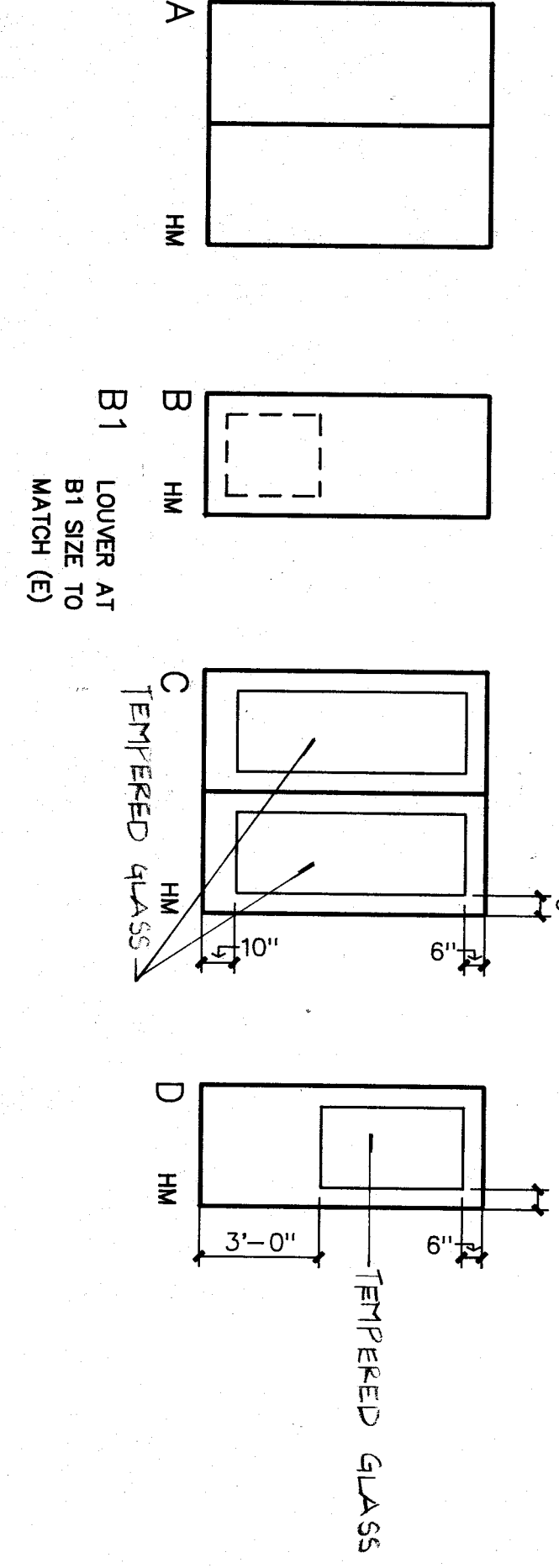
DOOR AND FRAME SCHEDULE

DOOR NUMBER	DOOR			FRAME			PERIOD	HARDWARE SET	SIGN	REMARKS	
	TYPE	SIZE (EACH LEAF)	LOUVER	TYPE	DETAILS	DETAILS					
		W H	W H		LEFT JAMB	HEAD	RIGHT JAMB				
S01	A	4'-0"	7'-0"		C	6/1/2 03	6/1/2 02	6/1/2 02		21	
S02	A	4'-0"	7'-0"		C	6/1/2 02	6/1/2 02	6/1/2 02		24	
S03	B	4'-0"	7'-0"		B	6/1/2 02	6/1/2 02	6/1/2 02		25	
S04											
S05											
S06											
S07											
S08											
S09											
S10											
S11											
S12											
S13											
S14											
S15											
S16											
S17											
S18											
S19											
S20											
S21											
S22											
S23											
S24											
S25											
S26											
S27											
S28											
S29											
S30											
S31											
S32	B	3'-6"	7'-0"		(E)						
S33											
S34											
S35											
S36											
S37											
S38											
S39											
S40											
S41											
S42	A	3'-0"	7'-0"		C	6/1/2 03	6/1/2 03	6/1/2 03		11	SEE S/5200
S43											
S44											
S45											
S46											
S47											
S48											
S49	A	3'-0"	7'-0"		C	6/1/2 03	6/1/2 03	6/1/2 03		23	SEE S/5200
S50											
S51											
S52											
S53											
S54											
S55											
S56											
S57											
S58											
S59											
S60											
S61											
S62											
S63											
S64											
S65											
S66											
S67											
S68											
S69											
S70											
S71											
S72											
S73											
S74											
S75											
S76											
S77											
S78											
S79											
S80											
S81											
S82											
S83											
S84											
S85											
S86											
S87											
S88											
S89											
S90											
S91											
S92											
S93											
S94											
S95											
S96											
S97											
S98											
S99											
S00											

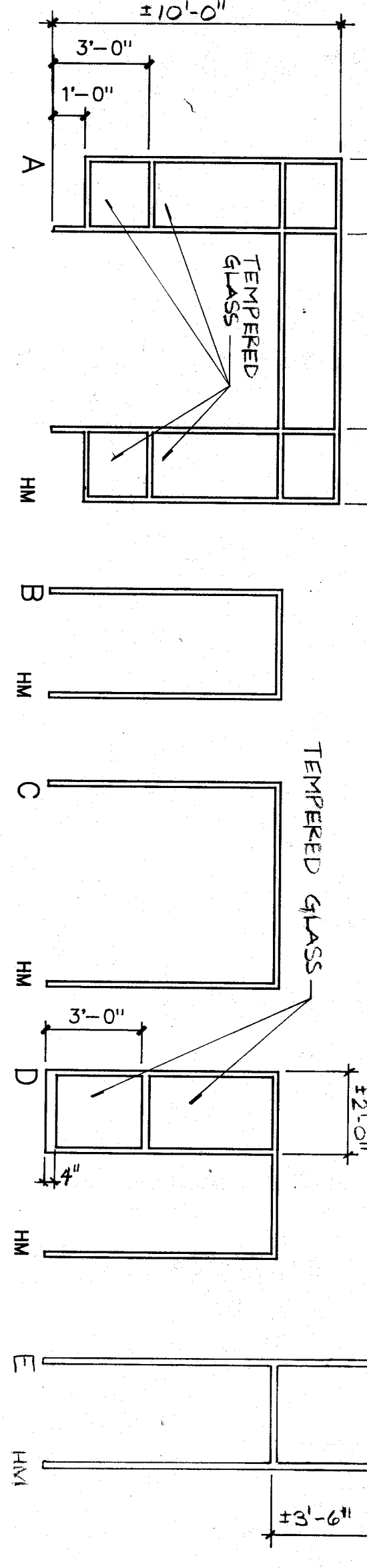
DOOR AND FRAME SCHEDULE

DOOR NUMBER	DOOR			FRAME			PERIOD	HARDWARE SET	SIGN	REMARKS	
	TYPE	SIZE (EACH LEAF)	LOUVER	TYPE	DETAILS	DETAILS					
		W H	W H		LEFT JAMB	HEAD	RIGHT JAMB				
S08											
S09											
S10											
S11											
S12	B	3'-6"	7'-0"		(E)						
S13											
S14											
S15											
S16											
S17											
S18											
S19											
S20											
S21											
S22											
S23											
S24											
S25											
S26											
S27											
S28											
S29											
S30											
S31											
S32											
S33											
S34											
S35											
S36											
S37											
S38											
S39											
S40											
S41											
S42											
S43											
S44											
S45											
S46											
S47											
S48											
S49											
S50	B	3'-0"	6'-0"		B	2 5/8 W/2 03	1/2 03	2 1/2 03		6	BOY'S HANDBALL SIGN
S51											
S52											
S53	B	3'-0"	7'-0"		B	2 5/8 W/2 03	1/2 03	2 5/8 W/2 03		6	GIRLS HANDBALL SIGN
S54	B1	3'-6"	7'-0"		(E)						
S55	B	3'-6"	7'-0"		(E)						
S56											
S57	B	3'-6"	7'-0"		(E)						
S58											
S59	B	3'-6"	7'-0"		(E)						
S60											
S61											
S62											
S63											
S64											
S65											
S66											
S67											
S68											
S69											
S70											
S71											
S72											
S73											
S74											
S75											
S76											
S77											
S78											
S79											
S80											
S81											
S82											
S83											
S84											
S85											
S86											
S87											
S88											
S89											
S90											
S91											
S92											
S93											
S94											
S95											
S96											
S97											
S98											
S99											
S00											

DOOR TYPES



FRAME TYPES



GENERAL NOTES

- A1 U.O.N. ALL HOLLOW METAL DOOR/WINDOW FRAMES SHALL RECEIVE PAINT
- A2 U.O.N. ALL HOLLOW METAL DOOR/WINDOW FRAME ASSEMBLIES SHALL BE 2" O.D. SEE DETAILS ON A-202 AND A-210
- A3 U.O.N. ALL HOLLOW METAL DOORS SHALL RECEIVE ENAMEL PAINT
- A4 U.O.N. ALL GLASS PANELED IN EXTERIOR DOORS ARE TINTED INSULATED GLASS-TEMPERED.
- A5 ALL RATED DOORS TO BE POSITIVE LATCHING AND SELF-CLOSING. "LABEL" SHALL MEAN "ASSEMBLY" AS DEFINED IN SECTION 4309(B), UBC 85.</