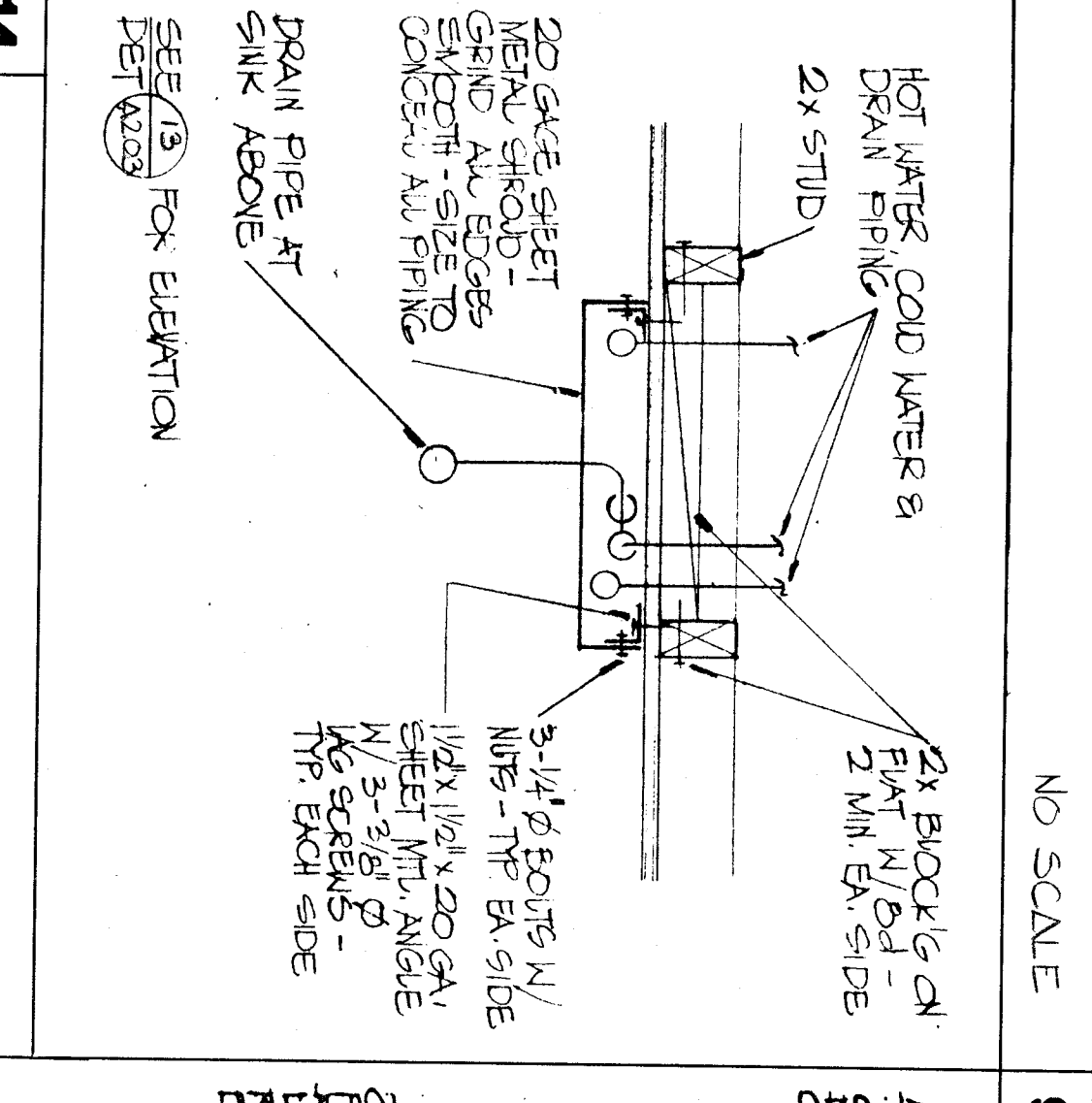
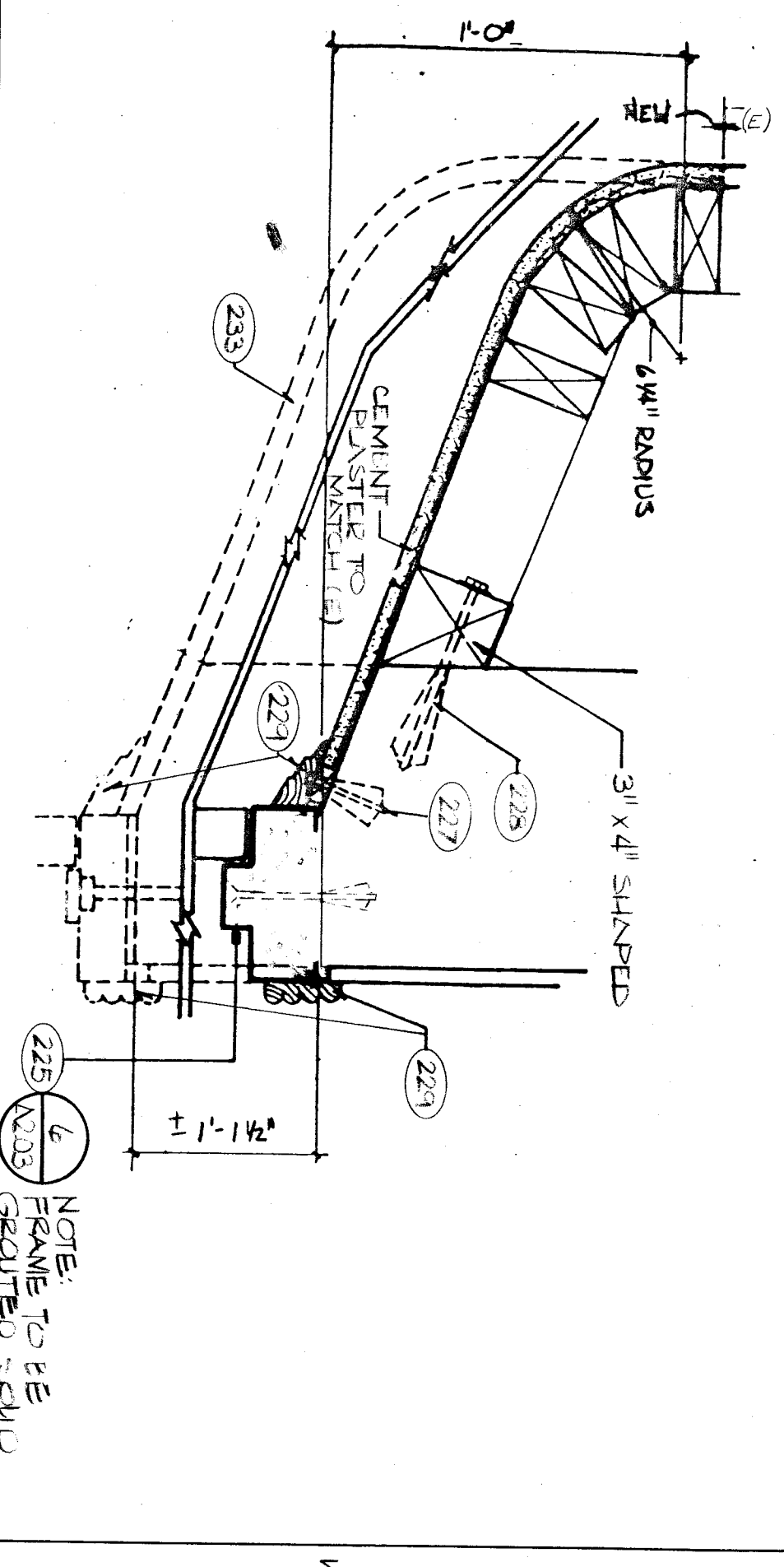
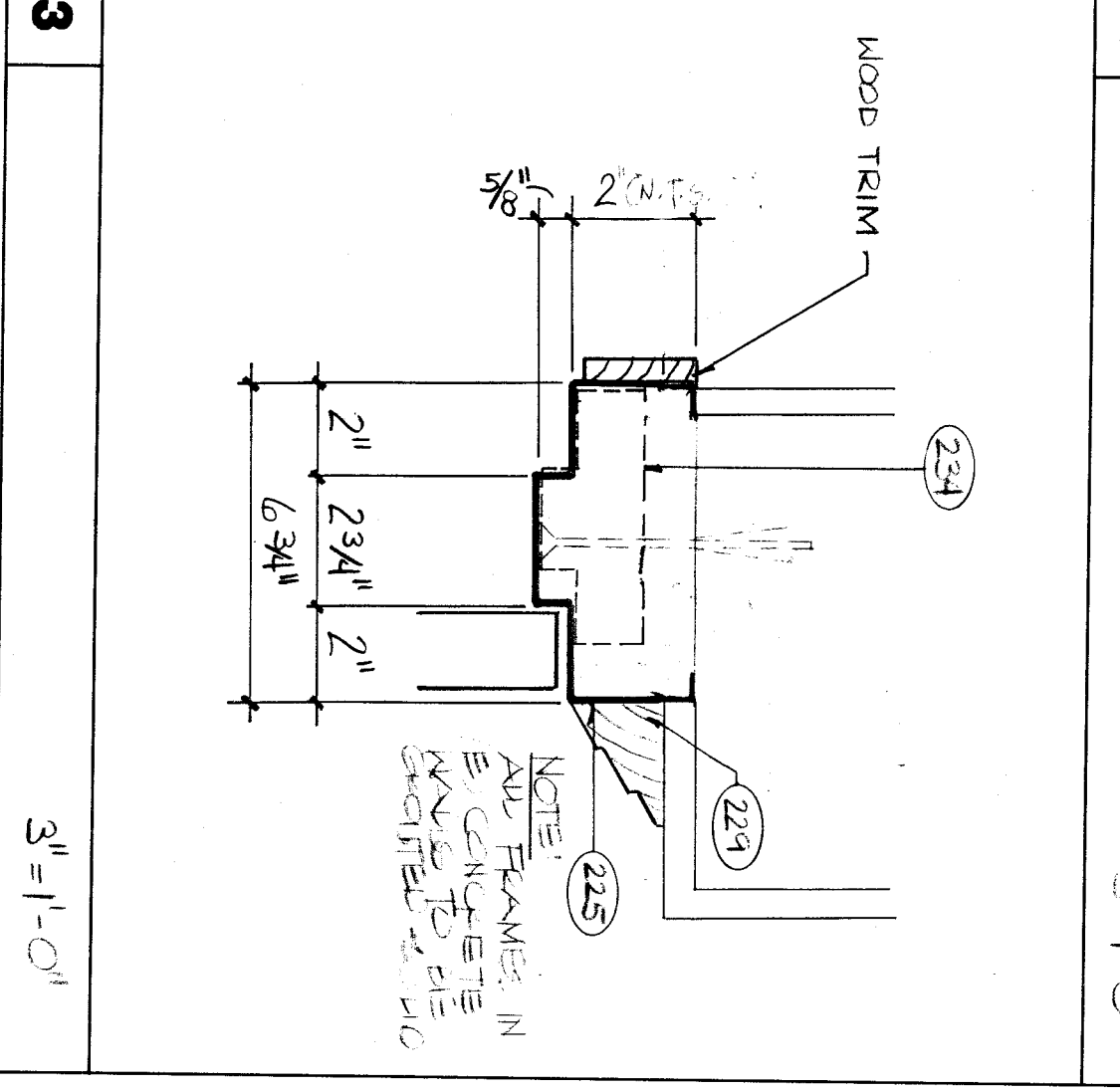
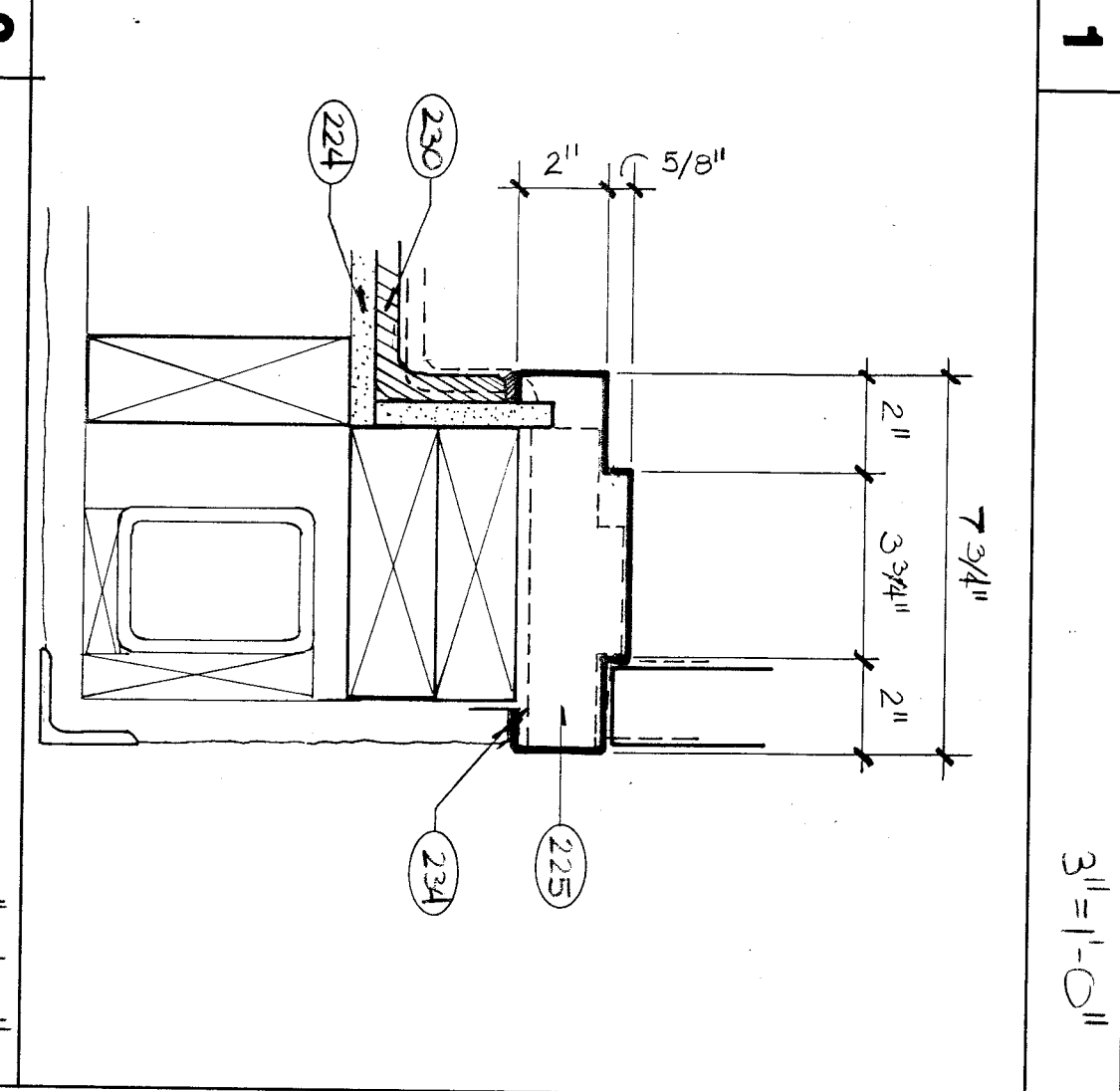
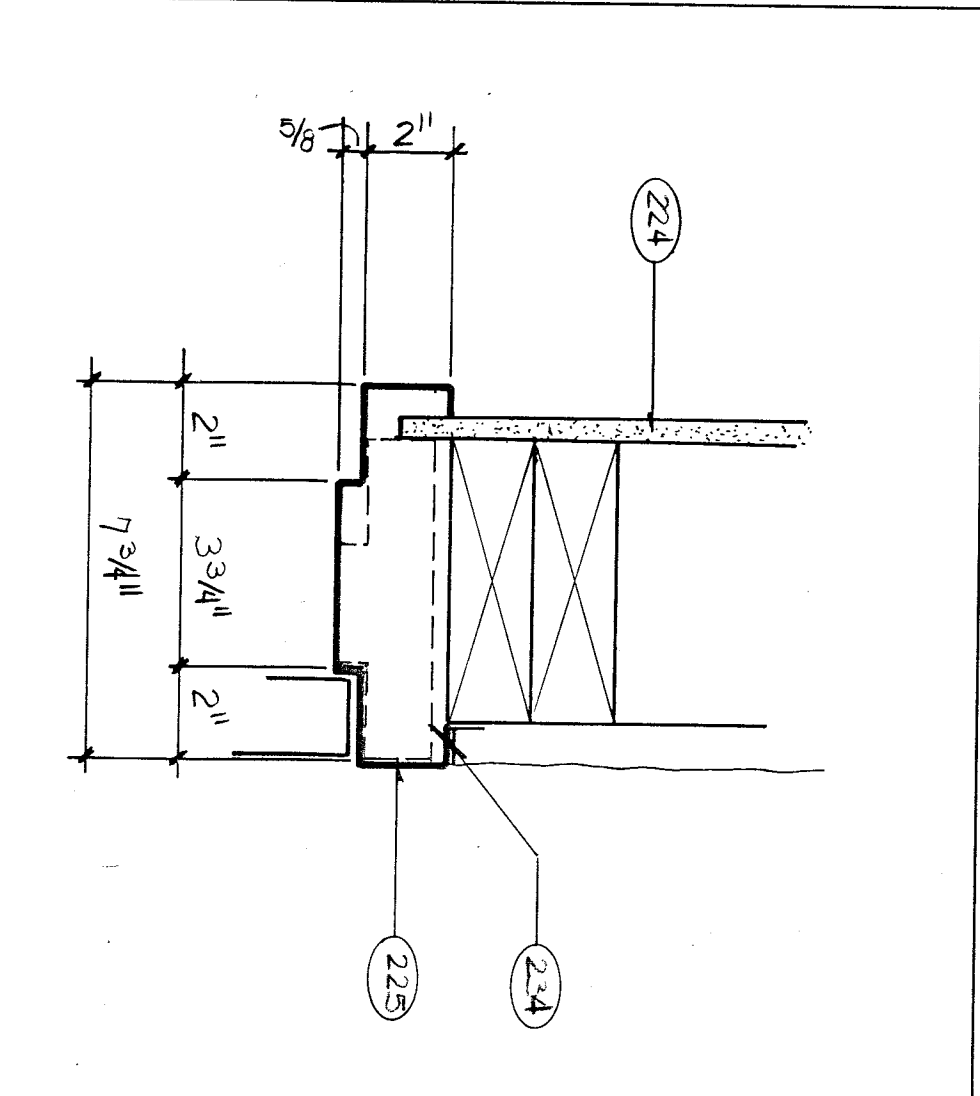


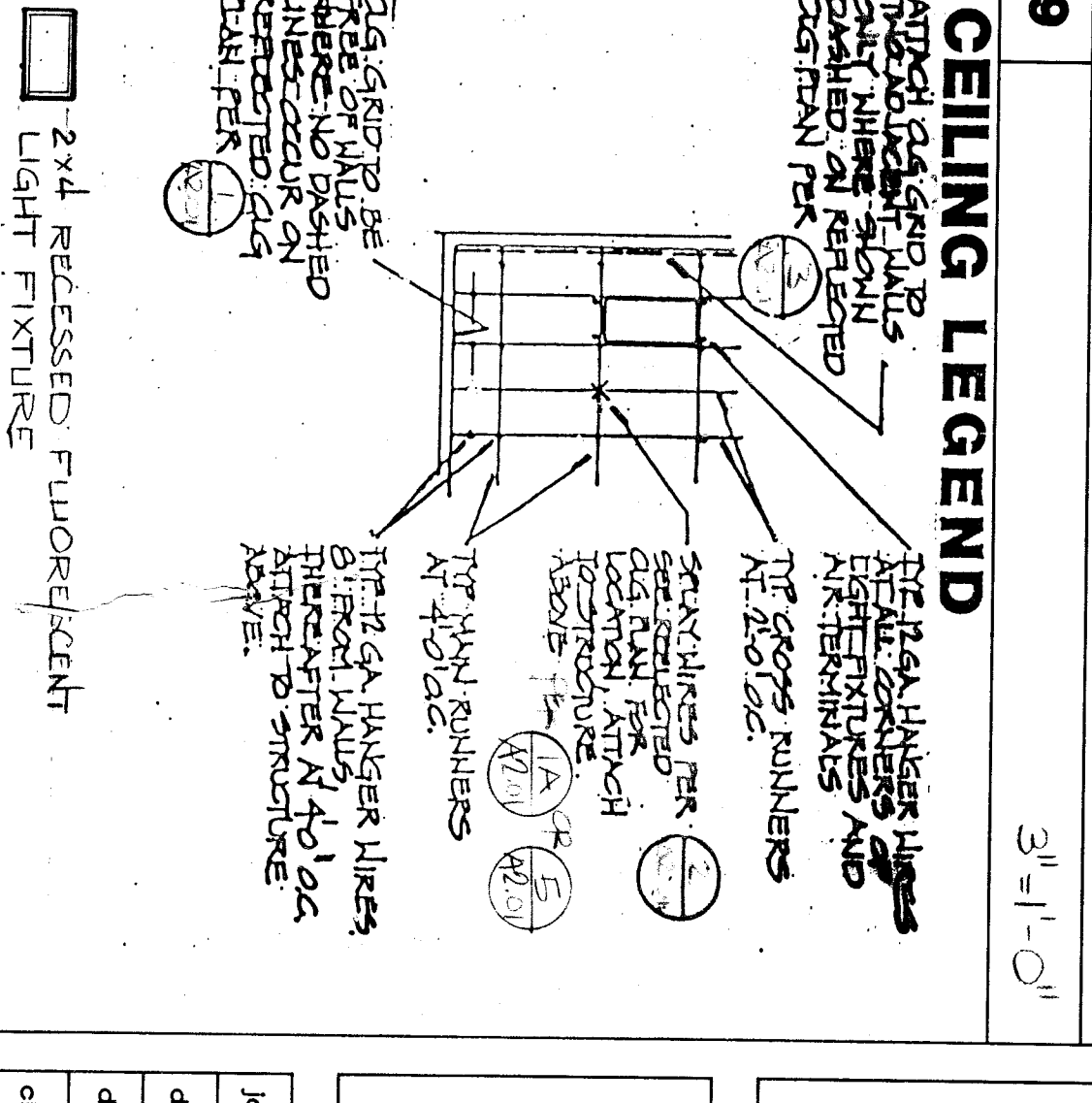
ADDITIVE ALTERNATE NO. 1
ADD ALL TOLERANCES AND DIMENSIONS AS SHOWN ON THE REFLECTED CEILING PLAN. NOTE: FINISH SHALL BE STRIKE AND PAINTED. MATERIALS TO BE DETERMINED BY THE ARCHITECT.

ADDITIVE ALTERNATE NO. 2
REMOVE ALL EXISTING CASKS IN CLASSROOMS. NOTE: FINISH SHALL BE STRIKE AND PAINTED. MATERIALS TO BE DETERMINED BY THE ARCHITECT.



KEY NOTES

1. NOT ALL DIMENSIONS ARE SHOWN IN THIS SHEET - SEE OTHER FLOOR PLANS.
2. ALL DIMENSIONS ARE TO FACE UNLESS NOTED OTHERWISE.
3. FINISHES TO BE DETERMINED BY THE ARCHITECT.
4. MATERIALS TO BE DETERMINED BY THE ARCHITECT.
5. DIMENSIONS TO FACE UNLESS NOTED OTHERWISE.
6. DIMENSIONS TO FACE UNLESS NOTED OTHERWISE.
7. DIMENSIONS TO FACE UNLESS NOTED OTHERWISE.
8. DIMENSIONS TO FACE UNLESS NOTED OTHERWISE.
9. DIMENSIONS TO FACE UNLESS NOTED OTHERWISE.
10. DIMENSIONS TO FACE UNLESS NOTED OTHERWISE.
11. DIMENSIONS TO FACE UNLESS NOTED OTHERWISE.
12. DIMENSIONS TO FACE UNLESS NOTED OTHERWISE.
13. DIMENSIONS TO FACE UNLESS NOTED OTHERWISE.
14. DIMENSIONS TO FACE UNLESS NOTED OTHERWISE.
15. DIMENSIONS TO FACE UNLESS NOTED OTHERWISE.
16. DIMENSIONS TO FACE UNLESS NOTED OTHERWISE.
17. DIMENSIONS TO FACE UNLESS NOTED OTHERWISE.
18. DIMENSIONS TO FACE UNLESS NOTED OTHERWISE.
19. DIMENSIONS TO FACE UNLESS NOTED OTHERWISE.
20. DIMENSIONS TO FACE UNLESS NOTED OTHERWISE.
21. DIMENSIONS TO FACE UNLESS NOTED OTHERWISE.
22. DIMENSIONS TO FACE UNLESS NOTED OTHERWISE.
23. DIMENSIONS TO FACE UNLESS NOTED OTHERWISE.
24. DIMENSIONS TO FACE UNLESS NOTED OTHERWISE.
25. DIMENSIONS TO FACE UNLESS NOTED OTHERWISE.
26. DIMENSIONS TO FACE UNLESS NOTED OTHERWISE.
27. DIMENSIONS TO FACE UNLESS NOTED OTHERWISE.
28. DIMENSIONS TO FACE UNLESS NOTED OTHERWISE.
29. DIMENSIONS TO FACE UNLESS NOTED OTHERWISE.
30. DIMENSIONS TO FACE UNLESS NOTED OTHERWISE.
31. DIMENSIONS TO FACE UNLESS NOTED OTHERWISE.
32. DIMENSIONS TO FACE UNLESS NOTED OTHERWISE.
33. DIMENSIONS TO FACE UNLESS NOTED OTHERWISE.
34. DIMENSIONS TO FACE UNLESS NOTED OTHERWISE.
35. DIMENSIONS TO FACE UNLESS NOTED OTHERWISE.
36. DIMENSIONS TO FACE UNLESS NOTED OTHERWISE.
37. DIMENSIONS TO FACE UNLESS NOTED OTHERWISE.
38. DIMENSIONS TO FACE UNLESS NOTED OTHERWISE.
39. DIMENSIONS TO FACE UNLESS NOTED OTHERWISE.
40. DIMENSIONS TO FACE UNLESS NOTED OTHERWISE.
41. DIMENSIONS TO FACE UNLESS NOTED OTHERWISE.
42. DIMENSIONS TO FACE UNLESS NOTED OTHERWISE.
43. DIMENSIONS TO FACE UNLESS NOTED OTHERWISE.
44. DIMENSIONS TO FACE UNLESS NOTED OTHERWISE.
45. DIMENSIONS TO FACE UNLESS NOTED OTHERWISE.
46. DIMENSIONS TO FACE UNLESS NOTED OTHERWISE.
47. DIMENSIONS TO FACE UNLESS NOTED OTHERWISE.
48. DIMENSIONS TO FACE UNLESS NOTED OTHERWISE.
49. DIMENSIONS TO FACE UNLESS NOTED OTHERWISE.
50. DIMENSIONS TO FACE UNLESS NOTED OTHERWISE.
51. DIMENSIONS TO FACE UNLESS NOTED OTHERWISE.
52. DIMENSIONS TO FACE UNLESS NOTED OTHERWISE.
53. DIMENSIONS TO FACE UNLESS NOTED OTHERWISE.
54. DIMENSIONS TO FACE UNLESS NOTED OTHERWISE.
55. DIMENSIONS TO FACE UNLESS NOTED OTHERWISE.
56. DIMENSIONS TO FACE UNLESS NOTED OTHERWISE.
57. DIMENSIONS TO FACE UNLESS NOTED OTHERWISE.
58. DIMENSIONS TO FACE UNLESS NOTED OTHERWISE.
59. DIMENSIONS TO FACE UNLESS NOTED OTHERWISE.
60. DIMENSIONS TO FACE UNLESS NOTED OTHERWISE.
61. DIMENSIONS TO FACE UNLESS NOTED OTHERWISE.
62. DIMENSIONS TO FACE UNLESS NOTED OTHERWISE.
63. DIMENSIONS TO FACE UNLESS NOTED OTHERWISE.
64. DIMENSIONS TO FACE UNLESS NOTED OTHERWISE.
65. DIMENSIONS TO FACE UNLESS NOTED OTHERWISE.
66. DIMENSIONS TO FACE UNLESS NOTED OTHERWISE.
67. DIMENSIONS TO FACE UNLESS NOTED OTHERWISE.
68. DIMENSIONS TO FACE UNLESS NOTED OTHERWISE.
69. DIMENSIONS TO FACE UNLESS NOTED OTHERWISE.
70. DIMENSIONS TO FACE UNLESS NOTED OTHERWISE.
71. DIMENSIONS TO FACE UNLESS NOTED OTHERWISE.
72. DIMENSIONS TO FACE UNLESS NOTED OTHERWISE.
73. DIMENSIONS TO FACE UNLESS NOTED OTHERWISE.
74. DIMENSIONS TO FACE UNLESS NOTED OTHERWISE.
75. DIMENSIONS TO FACE UNLESS NOTED OTHERWISE.
76. DIMENSIONS TO FACE UNLESS NOTED OTHERWISE.
77. DIMENSIONS TO FACE UNLESS NOTED OTHERWISE.
78. DIMENSIONS TO FACE UNLESS NOTED OTHERWISE.
79. DIMENSIONS TO FACE UNLESS NOTED OTHERWISE.
80. DIMENSIONS TO FACE UNLESS NOTED OTHERWISE.
81. DIMENSIONS TO FACE UNLESS NOTED OTHERWISE.
82. DIMENSIONS TO FACE UNLESS NOTED OTHERWISE.
83. DIMENSIONS TO FACE UNLESS NOTED OTHERWISE.
84. DIMENSIONS TO FACE UNLESS NOTED OTHERWISE.
85. DIMENSIONS TO FACE UNLESS NOTED OTHERWISE.
86. DIMENSIONS TO FACE UNLESS NOTED OTHERWISE.
87. DIMENSIONS TO FACE UNLESS NOTED OTHERWISE.
88. DIMENSIONS TO FACE UNLESS NOTED OTHERWISE.
89. DIMENSIONS TO FACE UNLESS NOTED OTHERWISE.
90. DIMENSIONS TO FACE UNLESS NOTED OTHERWISE.
91. DIMENSIONS TO FACE UNLESS NOTED OTHERWISE.
92. DIMENSIONS TO FACE UNLESS NOTED OTHERWISE.
93. DIMENSIONS TO FACE UNLESS NOTED OTHERWISE.
94. DIMENSIONS TO FACE UNLESS NOTED OTHERWISE.
95. DIMENSIONS TO FACE UNLESS NOTED OTHERWISE.
96. DIMENSIONS TO FACE UNLESS NOTED OTHERWISE.
97. DIMENSIONS TO FACE UNLESS NOTED OTHERWISE.
98. DIMENSIONS TO FACE UNLESS NOTED OTHERWISE.
99. DIMENSIONS TO FACE UNLESS NOTED OTHERWISE.
100. DIMENSIONS TO FACE UNLESS NOTED OTHERWISE.



ROOSEVELT SCHOOL MODERNIZATION
FOR
BAKERSFIELD CITY SCHOOL DISTRICT

BUILDING 300 FLOOR PLAN AND REFLECTED CEILING PLAN / DETAILS

bigc architects planners inc.
317 SOUTH FORD ROAD SUITE 300
BAKERSFIELD, CALIFORNIA 93309
(805) 832-8122
C-3132 *C-6564 C-8021 C-8702

Job no. 88-142
date 20 JAN 1989
drawn by T. WARREN
checked by SCOTT
copy/right 1989

