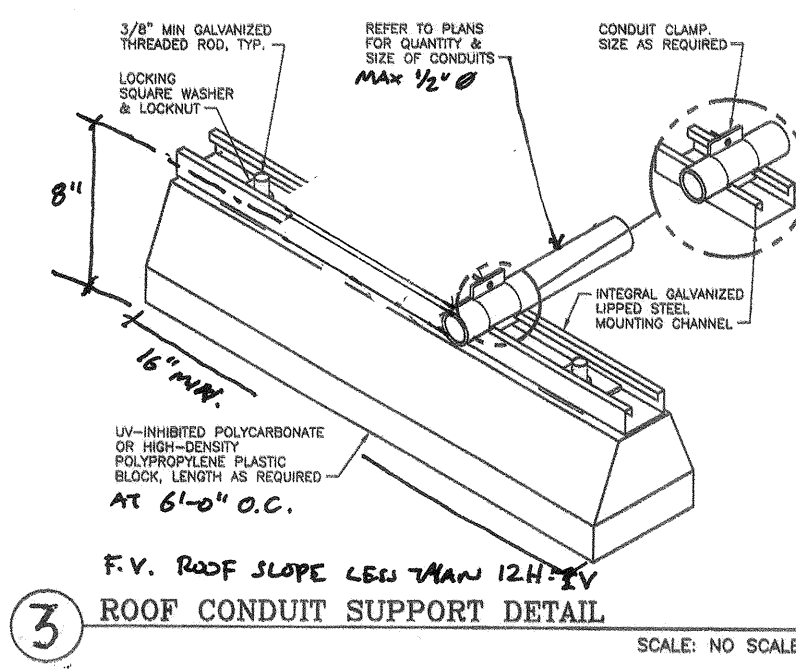


SHEET NOTES

- CONTRACTOR SHALL CALL UNDERGROUND SERVICE ALERT AT 811 TO LOCATE UNDERGROUND UTILITIES AT LEAST 2 WORKING DAYS PRIOR TO DIGGING. CONTRACTOR SHALL FIELD VERIFY LOCATION AND DEPTH OF EXISTING IMPROVEMENTS PRIOR TO START OF CONSTRUCTION.
- VERIFY LOCATION OF ALL BUILDINGS AND APPENDICES ON ARCHITECTURAL AND CIVIL PLANS.
- FIELD VERIFY LOCATION ON ALL UNDERGROUND UTILITIES PRIOR TO TRENCHING. SCHEDULE AND COORDINATE ALL SITE WORK WITH OWNER PRIOR TO ANY TRENCHING.
- CONTRACTOR SHALL VERIFY LOCATION & REQUIREMENTS OF ALL DEVICES/EQUIPMENT REQUIRING ELECTRICAL CONNECTION PRIOR TO BID PROPOSAL, ROUGH-IN, AND FINISH.
- CONTRACTOR SHALL, IN ROUTING ALL CIRCUITS, INCREASE CONDUCTOR & CONDUIT SIZE TO ALLOW FOR VOLTAGE DROP SHOULD THE CONTRACTOR EXCEED ROUTING INDICATED ON DRAWINGS. ENGINEER OF RECORD MUST BE NOTIFIED PRIOR TO ANY DEVIATIONS FROM APPROVED PLAN CHECK (PERMIT SET) DRAWINGS.
- ALL 90 DEGREE CONDUIT BENDS AND RISERS SHALL BE PVC COATED RIGID STEEL.
- CONTRACTOR SHALL COORDINATE AND PROVIDE ALL SITE ELECTRICAL SERVICE REQUIREMENTS WITH SERVING UTILITY.
- ALL SERVICE ENTRANCE EQUIPMENT SHOP DRAWINGS SHALL BE SUBMITTED TO THE LOCAL UTILITY COMPANY FOR APPROVAL WITH WRITTEN APPROVAL RECEIVED PRIOR TO SUBMISSION TO ELECTRICAL ENGINEER FOR APPROVAL.
- VERIFY LOCATION OF ALL EQUIPMENT ON ARCHITECTURAL AND CIVIL PLANS.
- MINIMUM CONDUIT BURIAL DEPTH IS 24". 36" MINIMUM BELOW STREETS AND PARKING LOTS, FOR 0-600 VOLT SYSTEMS.
- PROVIDE CODE SIZED EQUIPMENT GROUNDING CONDUCTORS IN ALL OCCUPIED CONDUITS.
- 1" CONDUIT MINIMUM UNDERGROUND.
- COORDINATE WORK WITH OTHER TRADES. OBTAIN ALL DRAWINGS THAT WILL REQUIRE COORDINATION AND PROVIDE ALL ELECTRICAL CONNECTIONS, DEVICES, AND WIRING REQUIRED, WHETHER SHOWN ON THE ELECTRICAL DRAWINGS OR NOT.
- CONTRACTOR SHALL FURNISH AND INSTALL PULL BOXES AS REQUIRED TO INSTALL CONDUCTORS PER CONDUCTOR MANUFACTURER'S RECOMMENDATIONS, PER THE NATIONAL ELECTRICAL CODE, AND PER LOCAL AUTHORITIES HAVING JURISDICTION.
- FIELD CONDITIONS GOVERN DEMOLITION AND NEW CONSTRUCTION. CONTRACTOR SHALL VERIFY ACTUAL CONDITIONS PRIOR TO START OF WORK. THE ARCHITECT/ENGINEER SHALL BE NOTIFIED OF POSSIBLE FIELD PROBLEMS PRIOR TO DEMOLITION. CONTRACTOR SHALL NOTIFY DISTRICT REPRESENTATIVE OF WORK BEING PERFORMED. COORDINATE WITH DISTRICT REPRESENTATIVE.
- ALL EMPTY CONDUITS SHALL BE PROVIDED WITH DIMENSIONED NYLON PULL STRING.
- CONTRACTOR SHALL FIELD VERIFY LOCATION OF ALL UNDERGROUND UTILITIES PRIOR TO ANY EXCAVATION OR TRENCHING. CONTRACTOR SHALL PROTECT ALL EXISTING/REMAINING UTILITIES IN PLACE. CONTRACTOR, AT HIS SOLE EXPENSE, SHALL REPAIR ANY UTILITY SYSTEMS DAMAGED DURING CONSTRUCTION.

KEY NOTES

- (NOTE: THESE NOTES MAY NOT APPEAR ON ALL SHEETS)
- APPROXIMATE LOCATION. CONTRACTOR SHALL FIELD VERIFY EXACT LOCATION.
 - PROVIDE COMMUNICATIONS PULLBOX. PROVIDE 11"x17" TRAFFIC RATED PULLBOX WITH STEEL CHECKER PLATE COVER ENGRAVED WITH "COMMUNICATIONS". #81017BOX WITH #81017-51JH COVER, BY CHRISTY CONCRETE.
 - PROVIDE POWER PULLBOX. PROVIDE 11"x17" TRAFFIC RATED PULLBOX WITH STEEL CHECKER PLATE COVER ENGRAVED WITH "ELECTRIC". #81017BOX WITH #81017-51JH COVER, BY CHRISTY CONCRETE.
 - COMMUNICATIONS CABLES SHALL BE PROVIDED IN SEPARATE RACEWAY WITHIN METAL POLE. PROVIDE 1-1/4" LIQUID TITE FLEXIBLE NONMETALLIC CONDUIT FOR COMMUNICATIONS CABLES. VERIFY & PROVIDE PER MARQUEE SIGN VENDOR'S SHOP DRAWINGS & APPROVED SUBMITTALS.

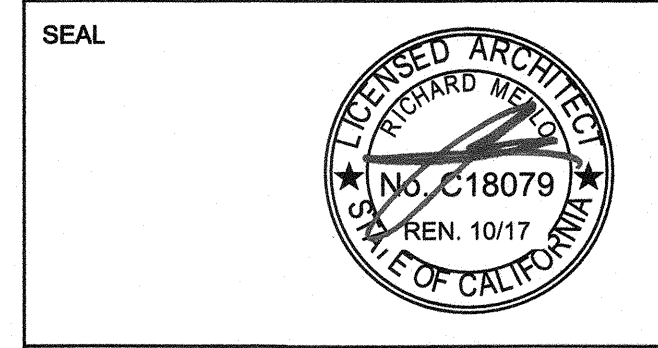


3 ROOF CONDUIT SUPPORT DETAIL
SCALE: NO SCALE

1 SITE ELECTRICAL PLAN
SCALE: 1"=50'-0"

2 MARQUEE SIGN ELECTRICAL PLAN
SCALE: 1/8"=1'-0"

PRIME CONSULTANT
IBI ARCHITECTURE PLANNING
San Luis Obispo
4119 Broad Street, Suite 210
San Luis Obispo, CA 93401
805.546.0433 fax: 805.546.0504



COPYRIGHT: Any reproduction or distribution for any purpose other than authorized by IBI Group is forbidden.
COPYRIGHT 2017 IBI GROUP

REVISIONS

NO.	DATE	APPRD.	DESCRIPTION

CONSULTANT
FERRANTI ENGINEERING
CONSULTING ELECTRICAL ENGINEERS
1211 MARICOPA HWY, SUITE 250
OJAI, CA 93023
(805) 705-4772
DALEFERRANTI@LIVE.COM

AGENCY INFORMATION:
AGENCY TRACKING NO. 63321-271
FILE NO. 15-6
IDENTIFICATION STAMP
DIV. OF THE STATE ARCHITECT
OFFICE OF REGULATION SERVICES
03-118198
AC: FK, FLS, STI, SS, CL
DATE: OCT 25 2017

BAKERSFIELD CITY SCHOOL DISTRICT

ROOSEVELT E.S. - MARQUEE SIGN
2324 VERDE ST., BAKERSFIELD, CA 93304

OPSC or OSHPD PROJ. NO:
PROJECT NO:
DRAWN BY: VZ
CHK'D BY: DF
ISSUE DATE: 10/19/2017
SHEET TITLE

SITE ELECTRICAL PLAN

SHEET NUMBER
E2.0



CONSTRUCTION DOCUMENTS