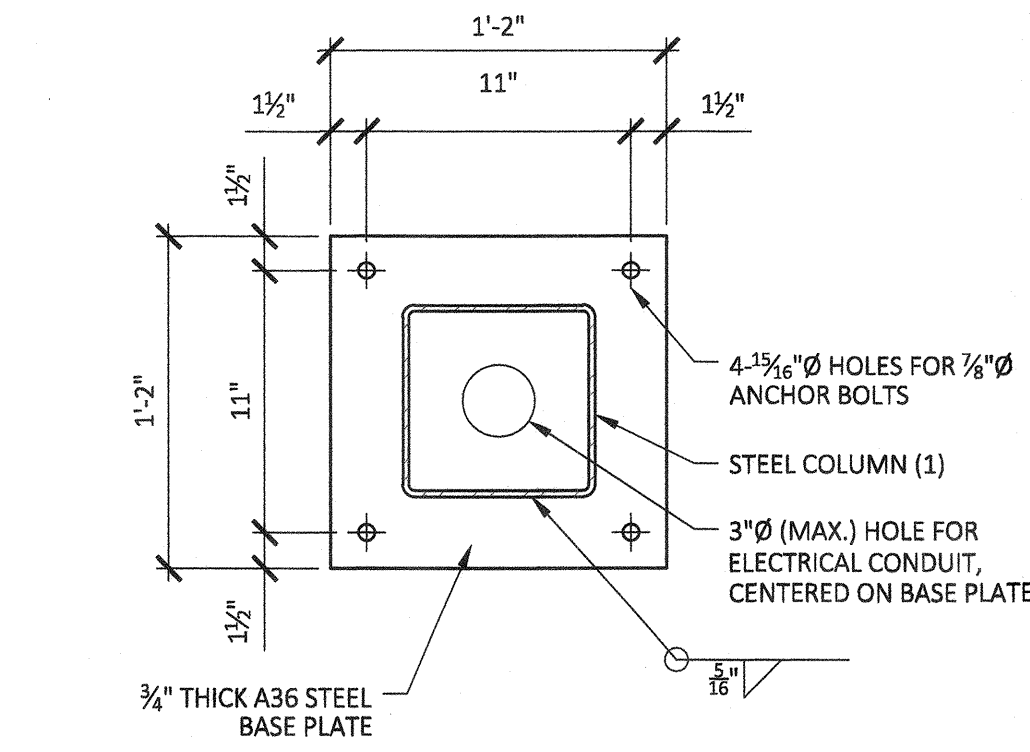


NOTES: (#)
1. SEE ELECTRONIC SIGN ELEVATION, 24/S2100

CONDUIT HAND HOLE

N.T.S.

41

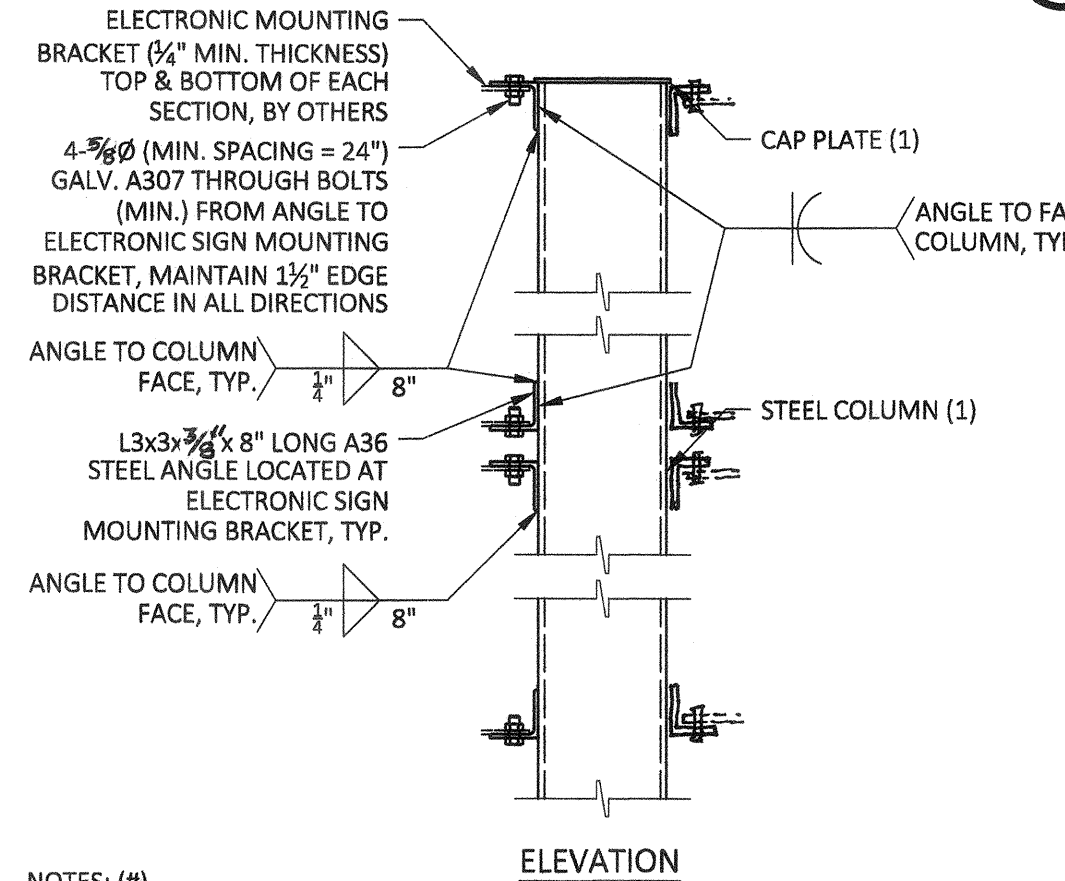


NOTES: (#)
1. SEE ELECTRONIC SIGN ELEVATION, 24/S2100

BASE PLATE

N.T.S.

21

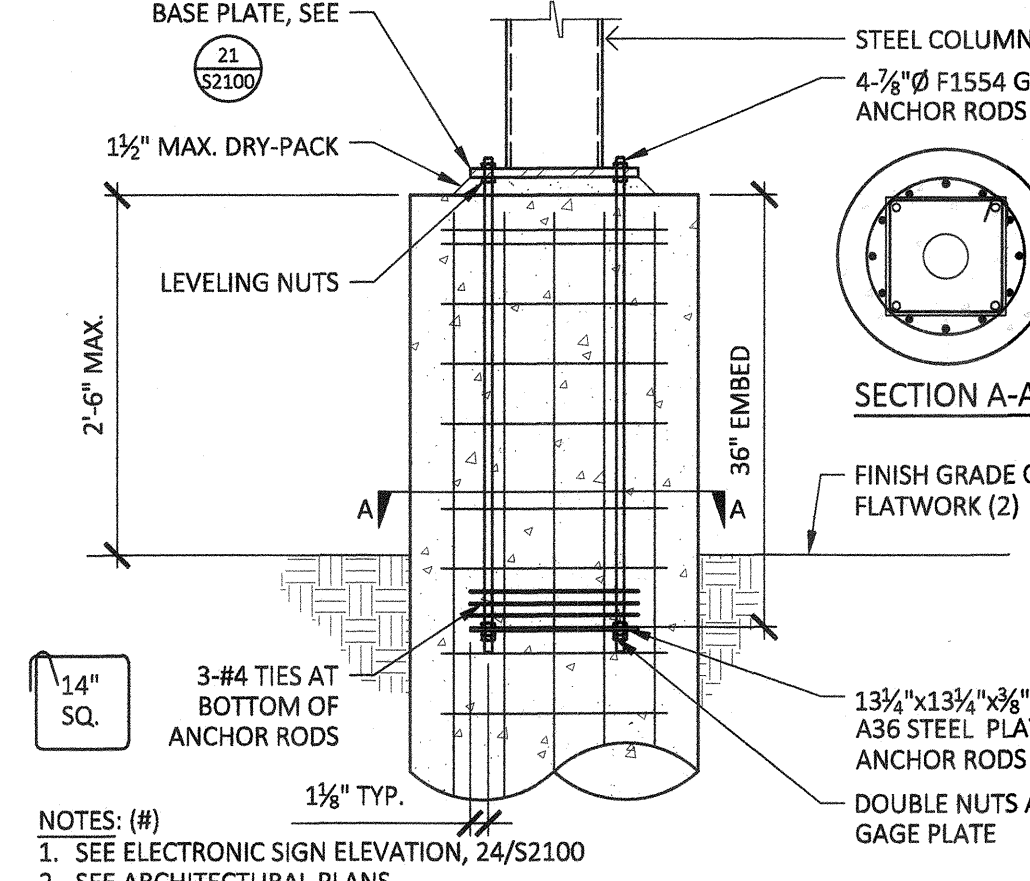


NOTES: (#)
1. SEE ELECTRONIC SIGN ELEVATION, 24/S2100

ELECTRONIC SIGN MOUNT

N.T.S.

42

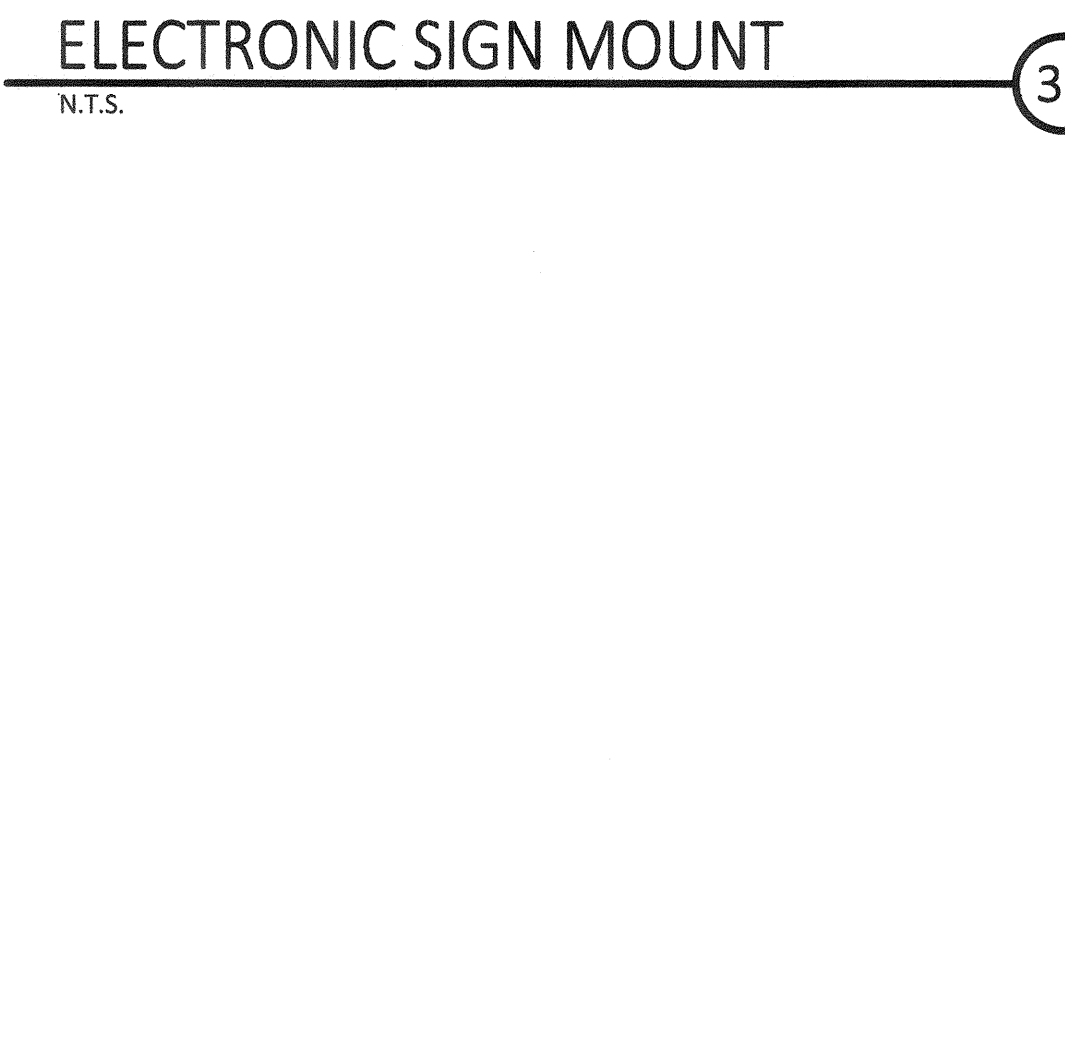


NOTES: (#)
1. SEE ELECTRONIC SIGN ELEVATION, 24/S2100
2. SEE ARCHITECTURAL PLANS
3. PROVIDE 5" HOLE CENTERED ON PLATE FOR PLACEMENT OF CONCRETE

STEEL COL. ANCHORAGE

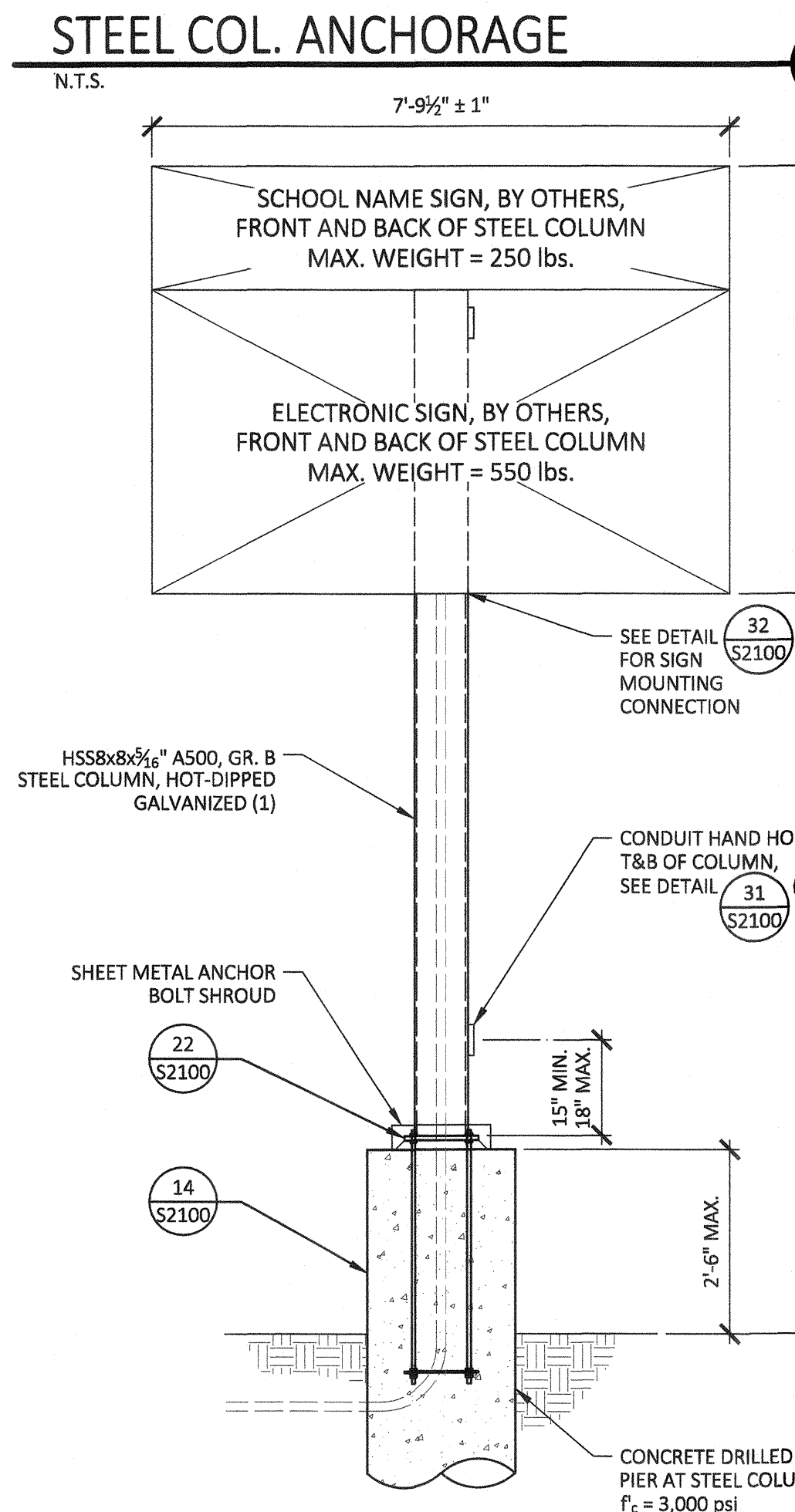
N.T.S.

22



N.T.S.

43

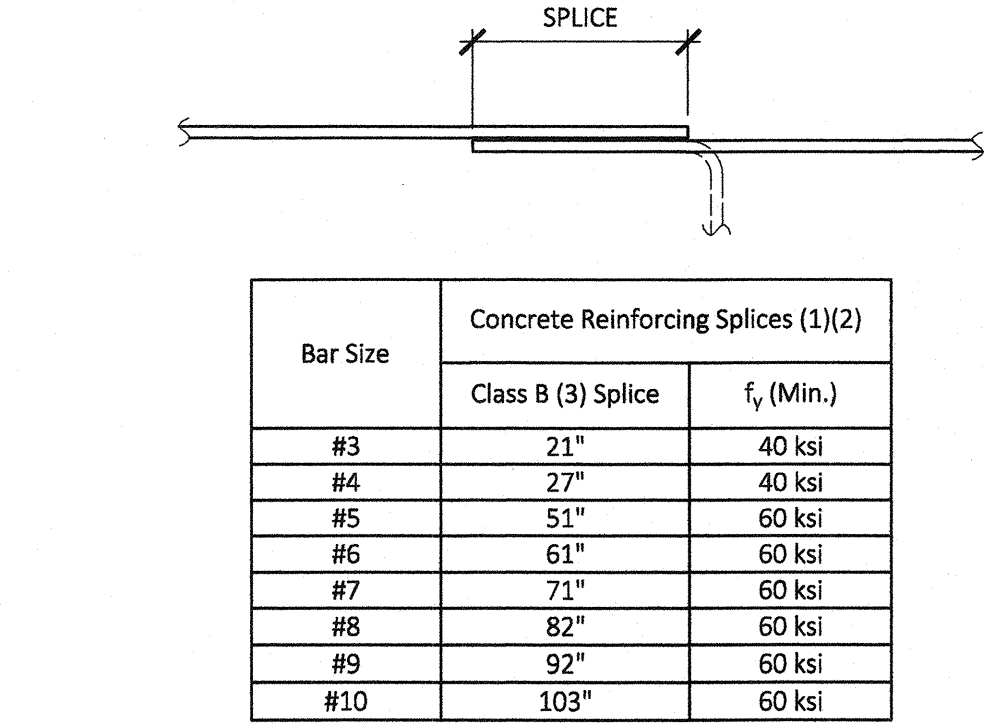


NOTES: (#)
1. PROVIDE STEEL CAP PLATE AT TOP OF COLUMN, WELD TO COLUMN WITH 1/4" THICK FILLET WELD, ALL AROUND
2. CONTRACTOR TO PROVIDE LOCATIONS OF CONDUIT HAND HOLE IN STEEL SHOP DRAWINGS

ELECTRONIC SIGN ELEV.

N.T.S.

44

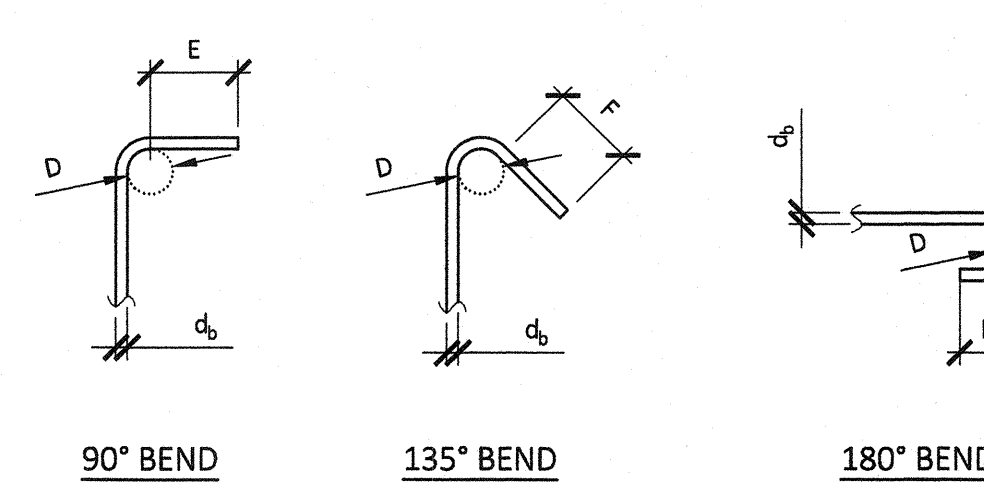


NOTES: (#)
1. LAP LENGTHS LISTED APPLY TO ALL LOCATIONS: VERTICAL, HORIZONTAL, TOP, BOTTOM, AND SITE WALLS
2. WHERE BARS OF A DIFFERENT SIZE ARE LAPPED, THE LAP LENGTH SHALL BE THE LENGTH REQUIRED BY THE LARGER BAR
3. ALL SPLICES SHALL BE CONSIDERED CLASS B UNLESS SPECIFICALLY NOTED OTHERWISE

TYPICAL LAP SPLICES

N.T.S.

11

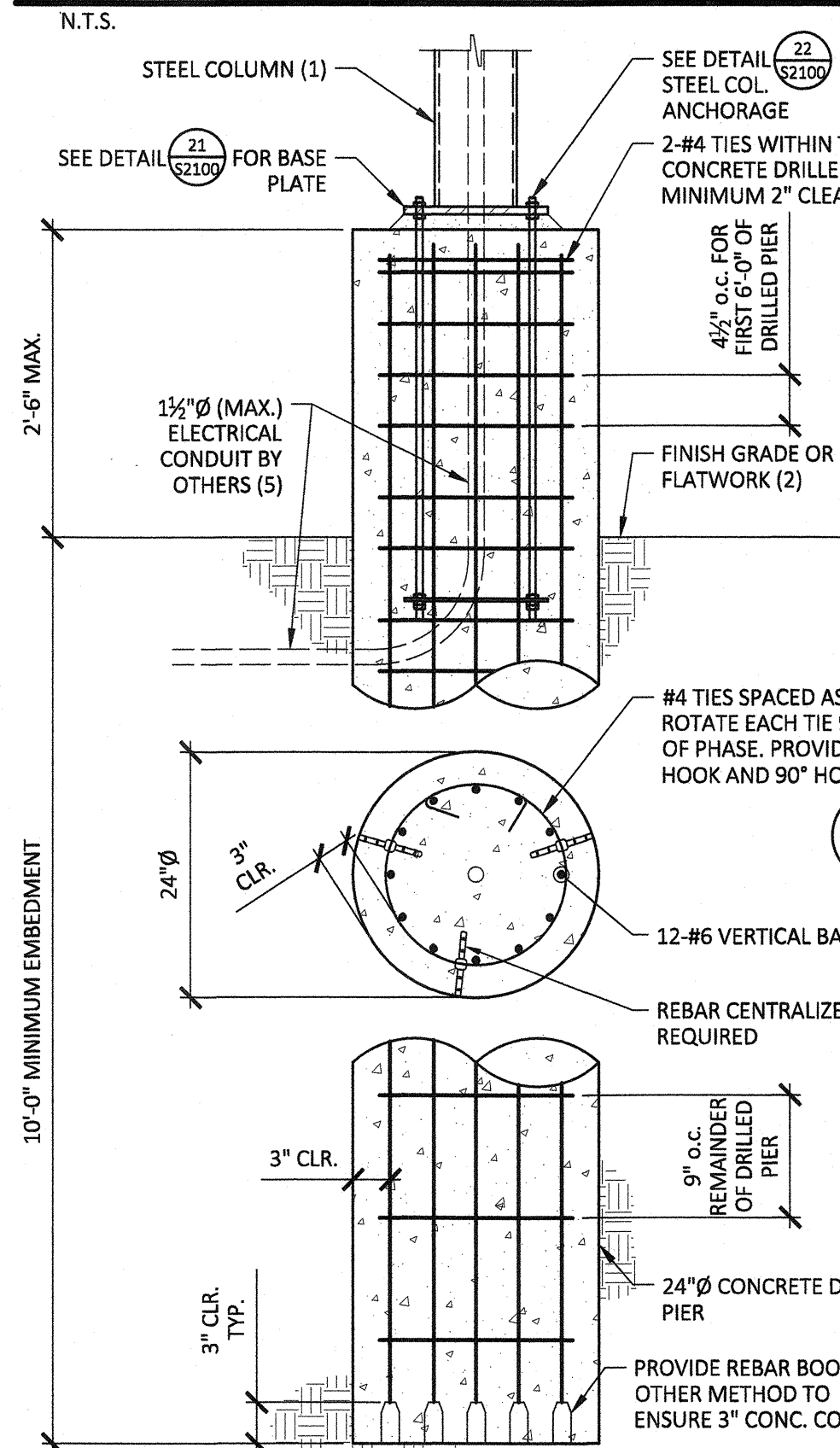


Bar Size	Dimension of Standard Bends		
	D	E	F (6d _b) [3" min.]
#3	1 1/2"	2 3/4"	3"
#4	2"	3"	3"
#5	2 1/2"	3 3/4"	3 3/4"

TIE AND STIRRUP BENDS

N.T.S.

12



NOTES: (#)
1. SEE ELECTRONIC SIGN ELEVATION, 24/S2100
2. SEE ARCHITECTURAL PLANS
3. SEE DETAIL 12/S2100 FOR REINFORCEMENT BEND REQUIREMENTS
4. SPLICE REINFORCEMENT PER 11/S2100 AS REQUIRED. ALL SPLICES ARE TO BE CLASS B.
5. CONDUIT SHALL BE CENTERED ON DRILLED PIER AND BASE PLATE. LOCATION OF CONDUIT APPROACH SHOWN GRAPHICALLY ONLY FOR REFERENCE, VERIFY ACTUAL CONDITIONS IN FIELD
6. TIE SHALL OVERLAP ITSELF A MINIMUM OF 6" AND HOOK AT VERTICAL BARS. MAXIMUM OF THREE VERTICAL BAR SPACINGS BETWEEN HOOKS

CONCRETE DRILLED PIER

N.T.S.

14

PRIME CONSULTANT

IBI ARCHITECTURE PLANNING

San Luis Obispo
4119 Broad Street, Suite 210
San Luis Obispo, CA 93401
805.546.0433 fax: 805.546.0504

SEAL

COPYRIGHT: Any reproduction or distribution for any purpose other than authorized by IBI Group is forbidden.

COPYRIGHT 2017 IBI GROUP

REVISIONS

NO.	DATE	APPRD.	DESCRIPTION

CONSULTANT

SSG

SMITH STRUCTURAL GROUP, LLP
811 E. Capitol Blvd., Suite 201 | 805-439-2310
San Luis Obispo, CA 93401 | smithstructural.com

THESE DRAWINGS, NOTES AND DETAILS ARE INSTRUMENTS OF SERVICE AND ARE THE PROPERTY OF SMITH STRUCTURAL GROUP, LLP. ALL DRAWINGS, INFORMATION, SPECIFICATIONS, DESIGNS AND ARRANGEMENTS REPRESENTED WITHIN THESE DOCUMENTS SHALL REMAIN THE PROPERTY OF THE ENGINEER. NO PART THEREOF SHALL BE COPIED, DISCLOSED TO OTHERS OR USED IN CONNECTION WITH ANY WORK OR PROJECT OTHER THAN THE SPECIFIC PROJECT FOR WHICH THEY HAVE BEEN PREPARED AND DEVELOPED WITHOUT THE EXPRESSED WRITTEN CONSENT OF THE ENGINEER. COPYRIGHT 2017.

AGENCY INFORMATION:

AGENCY TRACKING NO. 63321-271
FILE NO. 16-6

IDENTIFICATION STAMP
DIV. OF THE STATE ARCHITECT
OFFICE OF REGULATION SERVICES

03-118198

AC: FLS: SS:

DATE OCT 25 2017

BAKERSFIELD CITY SCHOOL DISTRICT

ROOSEVELT E.S. - MARQUEE SIGN

2324 VERDE ST., BAKERSFIELD, CA 93304

OPSC or OSHPD PROJ. NO:

PROJECT NO:	17146.000
DRAWN BY:	SEA
CHKD BY:	JMM
ISSUE DATE:	10/26/2017

SHEET TITLE

STRUCTURAL DETAILS

SHEET NUMBER

S2100

CONSTRUCTION DOCUMENTS