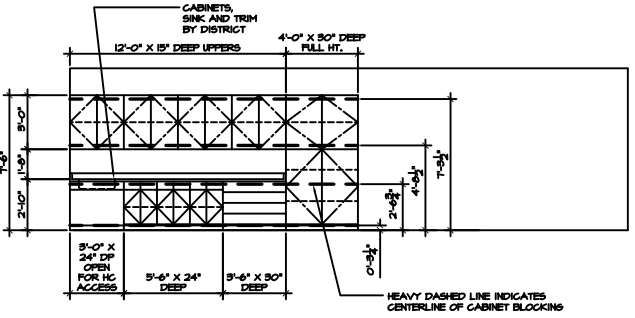
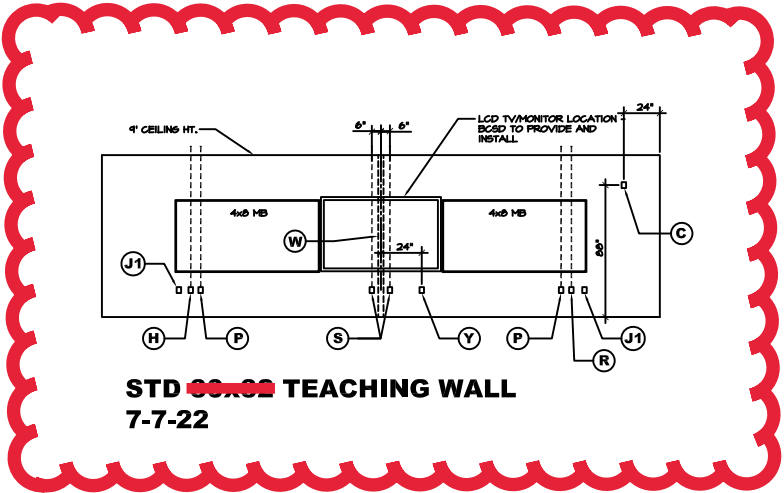


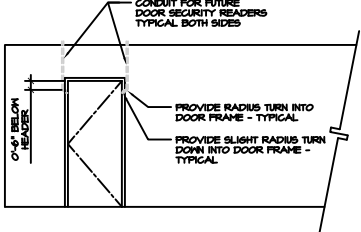
Room layout for smart board / teachers wall only

KEYNOTES

- (A)** REVERSE CANNET FIRE EXTINGUISHER. INSTALL AT 1/2 IN FROM REVERSE OF REVERSE PORTION OF CANNET FOR EXTINGUISHER.
- (B)** PROVIDE 4x4 BACKING POST AT CENTER OF ROOM FOR LCD TV BRACKET.
- (C)** PROVIDE SURGE PROTECTED DUPLEX OUTLET FOR FUTURE IDF CABINET. LOCATE AS INDICATED ON FLOOR PLAN. PROVIDE SEPARATE CIRCUIT IN ELECTRICAL PANEL.
- (D)** PROVIDE 4x4 BACKING POST AT CENTER OF ROOM FOR LCD TV BRACKET.
- (E)** J-BOX (4\"/>



STD 00-02 CAB WALL ELEV



DOOR CONDUIT DETAIL

Owens Jr. High Building 'L' - P.E. Classroom Layout
 Bid Package 07 Electrical, Fire Alarm & Communications
 Bid Package 08 Modular Building L