

SITE PLAN

Change Order No. 1
 Job No. 9761
 Application: 03.104224
 Date: August 20, 2000

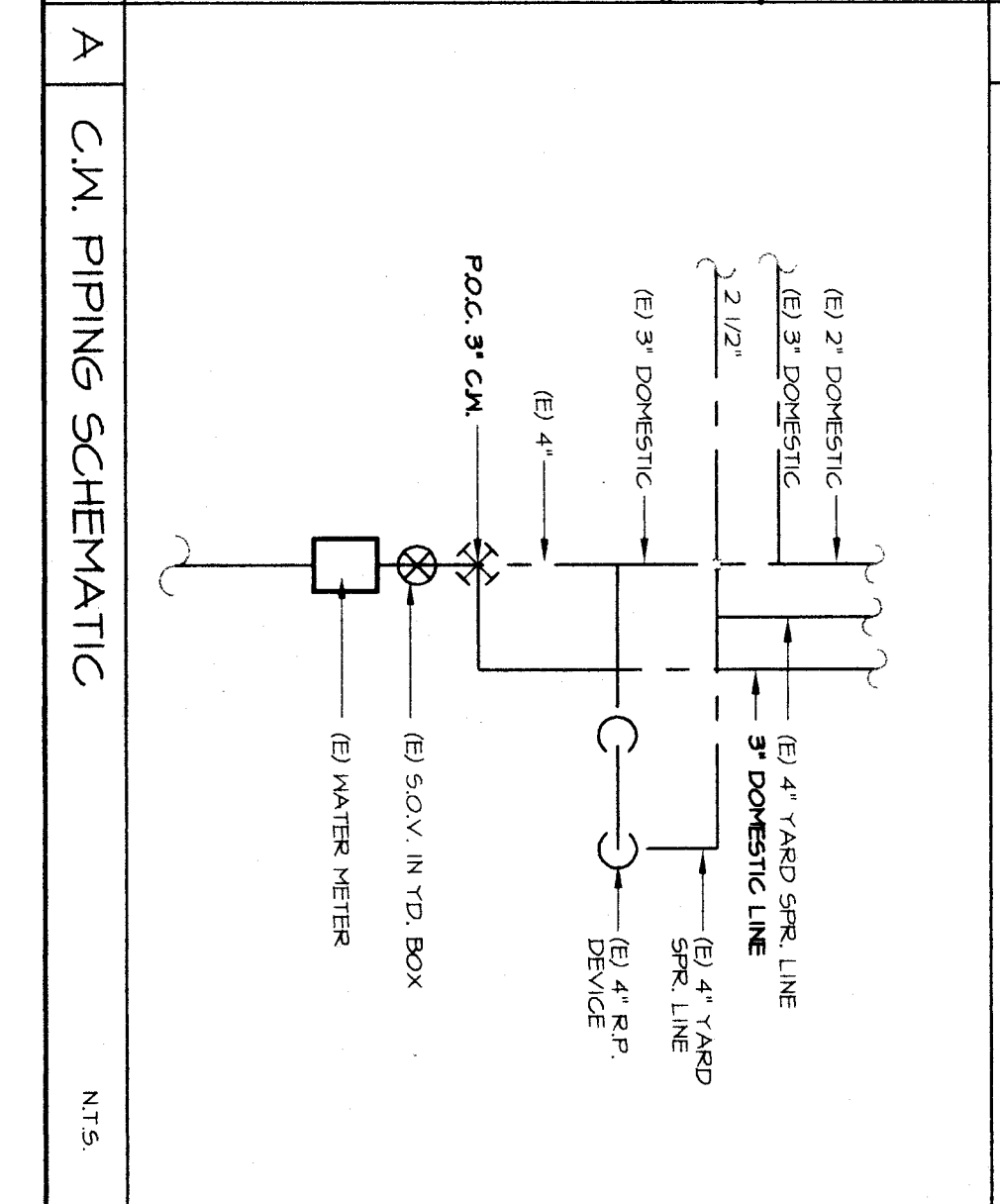
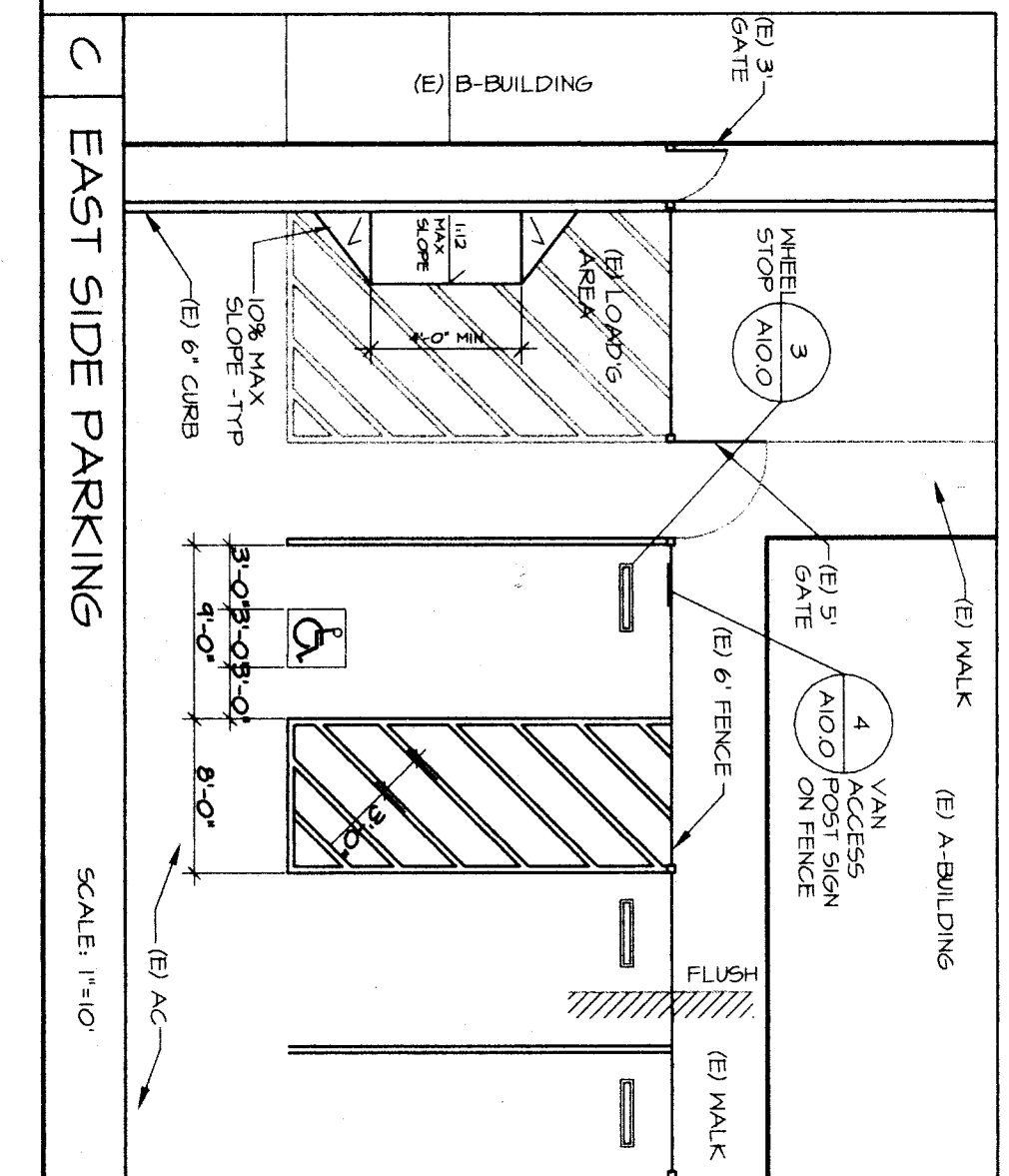
Notice: Public Works Commission and Personnel Building
 For Myra Noble School (Project 1)

Common: Bakerfield City School District
 Bakerfield, California 93309

ADD: \$500
DEDUCT: \$000

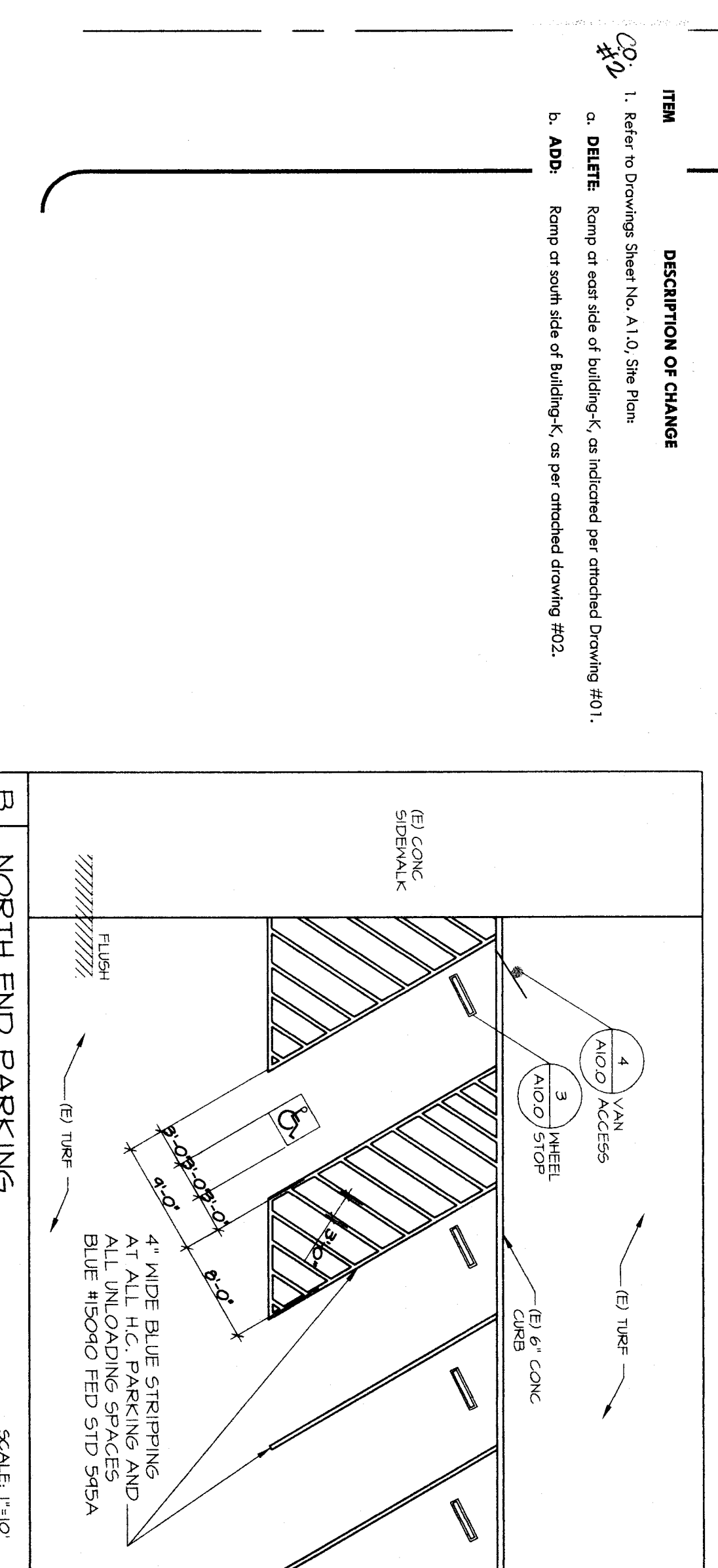
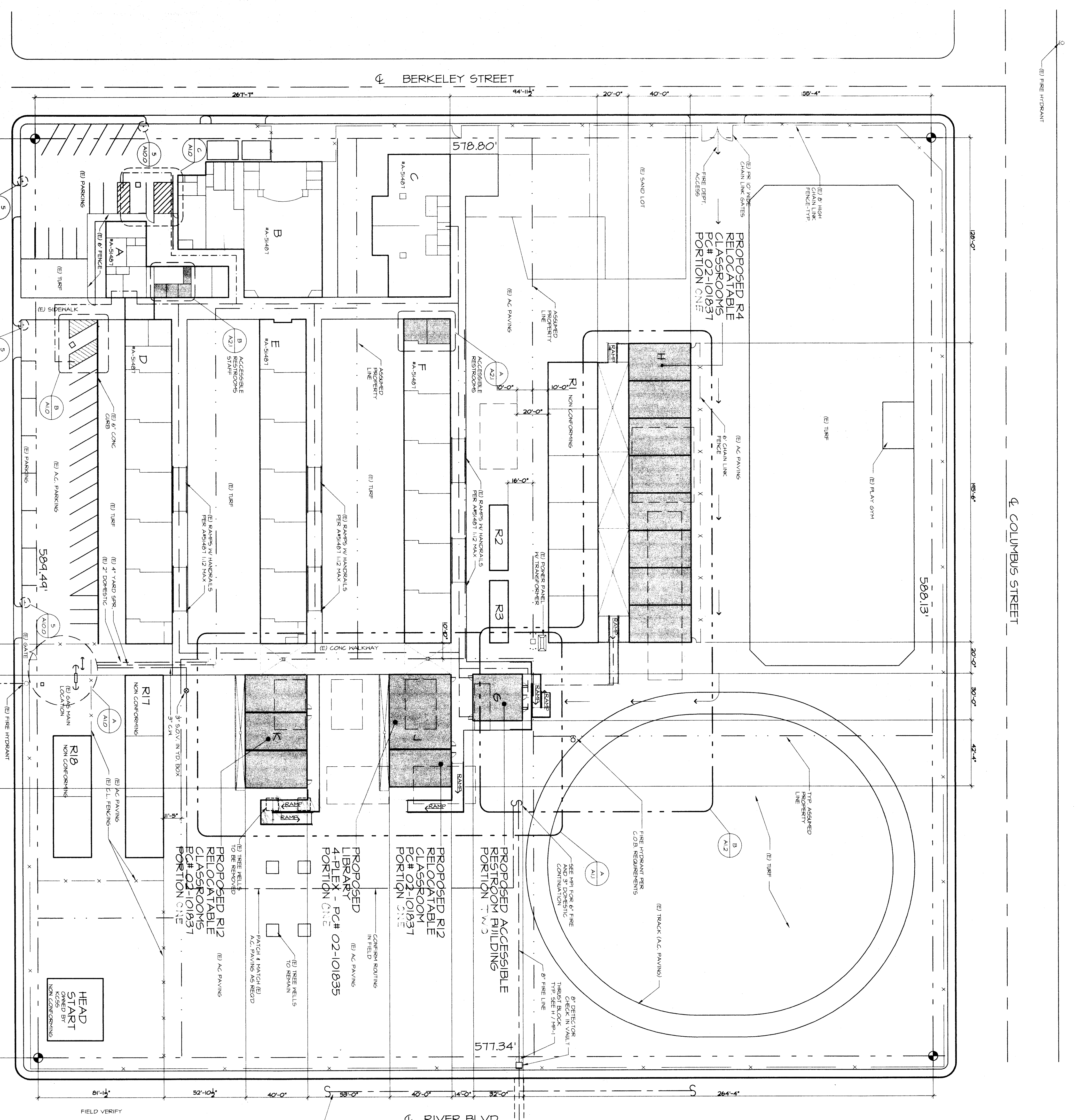
DESCRIPTION OF CHANGE:
 1. Refer to Drawing Sheet No. A1.0, Site Plan.
 a. REVISE: Fire hydrant connections, as per attached Drawing #1.
 REASON: Section requested by District to reduce cost. Water agency has reviewed and approved revised flow rates under BAKERSFIELD Standard.

SCALE: 1" = 30'-0"



JOB NO.: 976
DRAWN BY: BRNT
CHECKED BY: [Signature]
DATE: 12/18/00

1.0
 3 OF 18 SHEETS



ITEM DESCRIPTION OF CHANGE

1. Refer to Drawing Sheet No. A1.0, Site Plan.
 a. DELETE: Ramp at east side of building K, as indicated per attached Drawing #01.
 b. ADD: Ramp at east side of building K, as per attached drawing #02.

NOTES

1. PATH OF TRAVEL (POT) AS INDICATED BY DASHED LINE. POT SHALL BE MAINTAINED CLEAR OF ALL OBSTRUCTIONS. ALL CHANGES TO POT SHALL BE INDICATED BY DASHED LINE. ALL CHANGES TO POT SHALL BE INDICATED BY DASHED LINE. ALL CHANGES TO POT SHALL BE INDICATED BY DASHED LINE.

2. ALL GATES IN THE PATH OF TRAVEL SHALL HAVE A SIGN INDICATING THE GATE IS OPEN OR CLOSED. SIGN SHALL BE LOCATED IN THE OPEN POSITION DIRECTION. SIGN SHALL BE 4" X 6" IN SIZE. SIGN SHALL BE 4" X 6" IN SIZE. SIGN SHALL BE 4" X 6" IN SIZE.

PARKING LEGEND

REG. STALLS 34
 ADA COMP. STALLS 2
 ADA COMP. VAN ACCESS 31
 TOTAL PARKING 67

LEGEND

BLINDS NOT PART OF THIS CONTRACT
 PROPOSED BUILDINGS 8 / 7 OR REMODEL AREA
 EXISTING BUILDINGS TO BE REMOVED BY 8/25/00
 ACCESSIBLE PATH OF TRAVEL
 ASSIGNED PROPERTY LINE
 PROPERTY LINE
 CHAIN LINK FENCE
 POST W/ SIGN
 FIRE DEPARTMENT APPROVED ACCESS

LOCAL FIRE AUTHORITY

FIRE DEPARTMENT ADDRESS: 600 N. GATE
 FIRE DEPARTMENT PHONE: (661) 336-3494
 FIRE DEPARTMENT FAX: (661) 336-3494
 FIRE DEPARTMENT WEBSITE: www.bakersfieldfire.com
 FIRE DEPARTMENT EMAIL: info@bakersfieldfire.com
 FIRE DEPARTMENT OFFICE HOURS: 24 HOURS
 FIRE DEPARTMENT CONTACT PERSON: [Name]
 FIRE DEPARTMENT CONTACT PHONE: (661) 336-3494
 FIRE DEPARTMENT CONTACT FAX: (661) 336-3494
 FIRE DEPARTMENT CONTACT EMAIL: info@bakersfieldfire.com
 FIRE DEPARTMENT CONTACT WEBSITE: www.bakersfieldfire.com
 FIRE DEPARTMENT CONTACT ADDRESS: 600 N. GATE
 FIRE DEPARTMENT CONTACT CITY: BAKERSFIELD, CA 93304
 FIRE DEPARTMENT CONTACT STATE: CA
 FIRE DEPARTMENT CONTACT ZIP: 93304

BUILDING GROUPS	MARKS	COMPLIANT	TYPE OF CONN	ACTUAL AREA	ALLOWED AREA	INCREASED AREA	MIXED OCCUPANCY	OCCUPANCY	AREA
R-4	H-F-R1	E-1	VN	1000 *	960-6-120	N/A	N/A	N/A	N/A
R-2	G-J-K	E-1	VN	5760 *	960-6-120	N/A	N/A	N/A	N/A
R-4	H-F-R1	E-1	VN	1000 *	960-6-120	N/A	N/A	N/A	N/A

MARK	DATE	REVISIONS
△		
△		
△		
△		

CHECK AND VERIFY ALL DIMENSIONS BEFORE PROCEEDING WITH THE WORK. REPORT DISCREPANCIES TO THE ARCHITECT IMMEDIATELY. ALL CONSTRUCTION SHALL CONFORM TO THE C.B.C.

RESTROOM BUILDING
RELOCATABLE CLASSROOMS
 1015 NOBLE AVE.
 FOR
 MYRA A. NOBLE SCHOOL
 BAKERSFIELD, KERN COUNTY, CALIFORNIA

DR ARCHITECT
 1011 L STREET
 BAKERSFIELD, CA 93301
 PH: (661) 327-1632
 FAX: (661) 327-2339

STEPHEN W. GARDNER, ARCHITECT
 LICENSED ARCHITECT
 No. C-16788
 State of California

DR ARCHITECT
 1011 L STREET
 BAKERSFIELD, CA 93301
 PH: (661) 327-1632
 FAX: (661) 327-2339