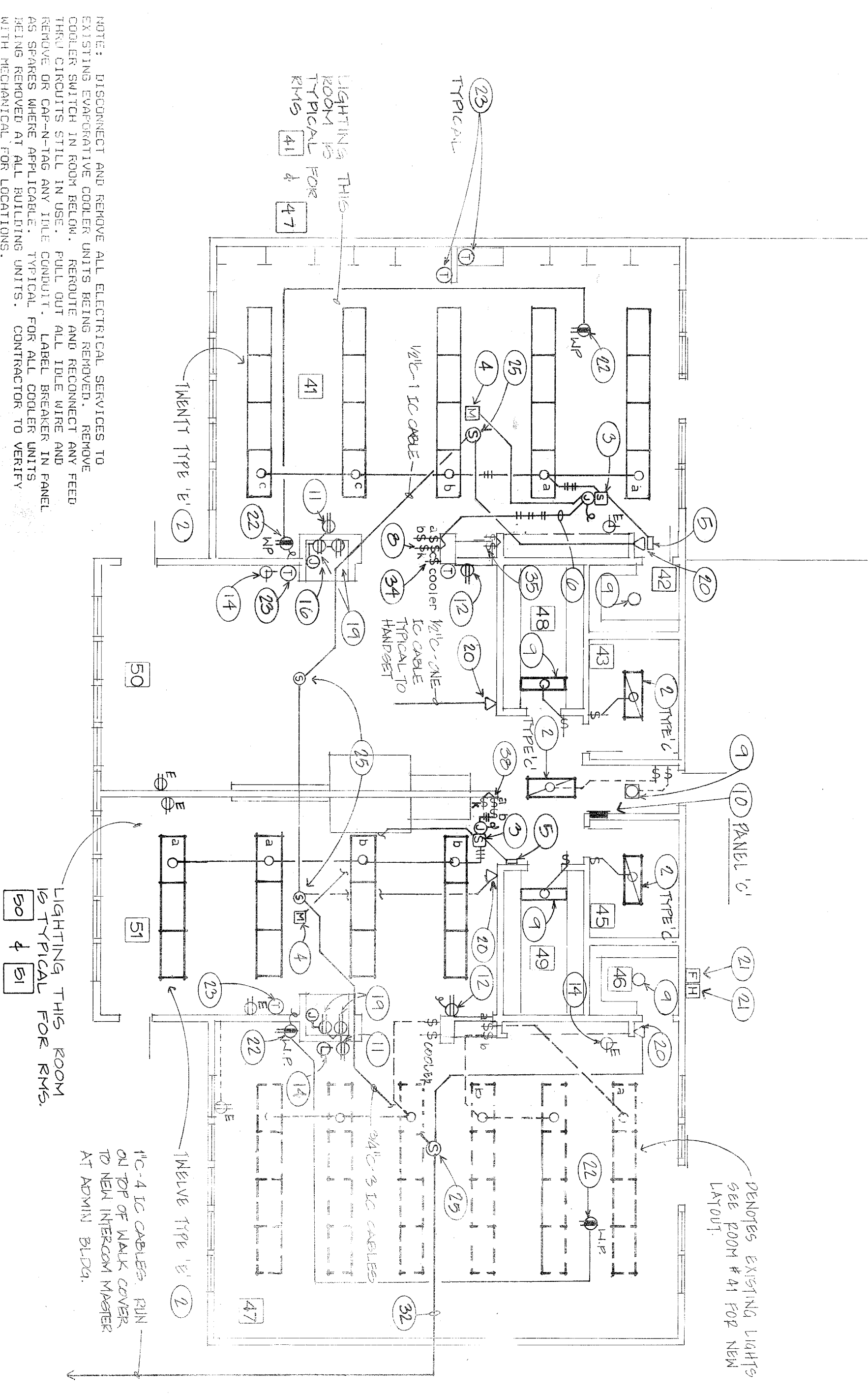


1. ALL WORK SHALL BE IN ACCORDANCE WITH THE LATEST EDITION OF THE CALIFORNIA ELECTRICAL CODE.
2. ALL WORK SHALL BE IN ACCORDANCE WITH THE LATEST EDITION OF THE CALIFORNIA MECHANICAL CODE.
3. ALL WORK SHALL BE IN ACCORDANCE WITH THE LATEST EDITION OF THE CALIFORNIA PLUMBING AND MECHANICAL CODE.
4. ALL WORK SHALL BE IN ACCORDANCE WITH THE LATEST EDITION OF THE CALIFORNIA FIRE ALARM CODE.
5. ALL WORK SHALL BE IN ACCORDANCE WITH THE LATEST EDITION OF THE CALIFORNIA FIRE SAFETY CODE.
6. ALL WORK SHALL BE IN ACCORDANCE WITH THE LATEST EDITION OF THE CALIFORNIA FIRE PROTECTION CODE.
7. ALL WORK SHALL BE IN ACCORDANCE WITH THE LATEST EDITION OF THE CALIFORNIA FIRE RESISTANCE CODE.
8. ALL WORK SHALL BE IN ACCORDANCE WITH THE LATEST EDITION OF THE CALIFORNIA FIRE ALARM SYSTEMS CODE.
9. ALL WORK SHALL BE IN ACCORDANCE WITH THE LATEST EDITION OF THE CALIFORNIA FIRE ALARM SYSTEMS CODE.
10. ALL WORK SHALL BE IN ACCORDANCE WITH THE LATEST EDITION OF THE CALIFORNIA FIRE ALARM SYSTEMS CODE.



ELECTRICAL PLAN - UNIT 'C' (KINDERGARTEN)

SCALE: 1/8" = 1'-0"

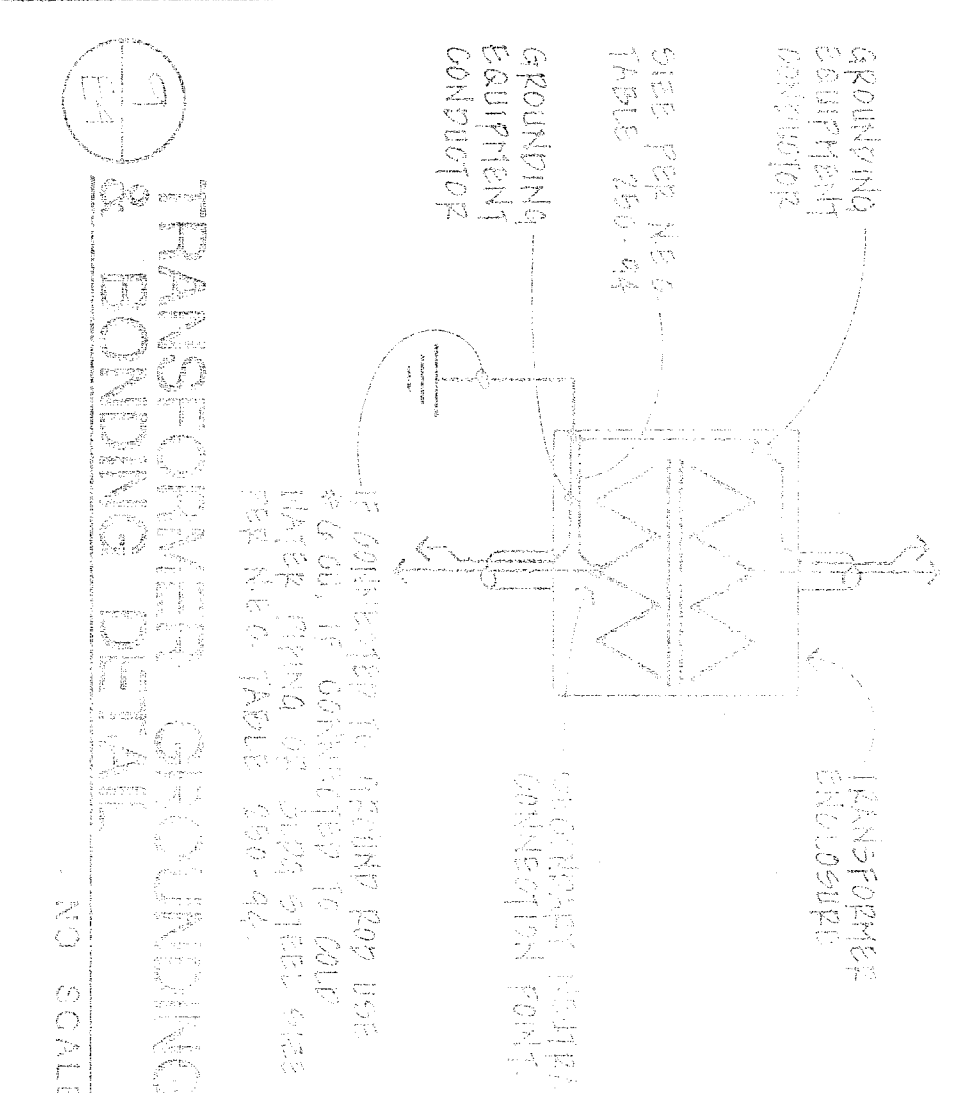
1. ALL WORK SHALL BE IN ACCORDANCE WITH THE LATEST EDITION OF THE CALIFORNIA ELECTRICAL CODE.
2. ALL WORK SHALL BE IN ACCORDANCE WITH THE LATEST EDITION OF THE CALIFORNIA MECHANICAL CODE.
3. ALL WORK SHALL BE IN ACCORDANCE WITH THE LATEST EDITION OF THE CALIFORNIA PLUMBING AND MECHANICAL CODE.
4. ALL WORK SHALL BE IN ACCORDANCE WITH THE LATEST EDITION OF THE CALIFORNIA FIRE ALARM CODE.
5. ALL WORK SHALL BE IN ACCORDANCE WITH THE LATEST EDITION OF THE CALIFORNIA FIRE SAFETY CODE.
6. ALL WORK SHALL BE IN ACCORDANCE WITH THE LATEST EDITION OF THE CALIFORNIA FIRE PROTECTION CODE.
7. ALL WORK SHALL BE IN ACCORDANCE WITH THE LATEST EDITION OF THE CALIFORNIA FIRE RESISTANCE CODE.
8. ALL WORK SHALL BE IN ACCORDANCE WITH THE LATEST EDITION OF THE CALIFORNIA FIRE ALARM SYSTEMS CODE.
9. ALL WORK SHALL BE IN ACCORDANCE WITH THE LATEST EDITION OF THE CALIFORNIA FIRE ALARM SYSTEMS CODE.
10. ALL WORK SHALL BE IN ACCORDANCE WITH THE LATEST EDITION OF THE CALIFORNIA FIRE ALARM SYSTEMS CODE.

FIRE ALARM LEVEL OF LIABILITY

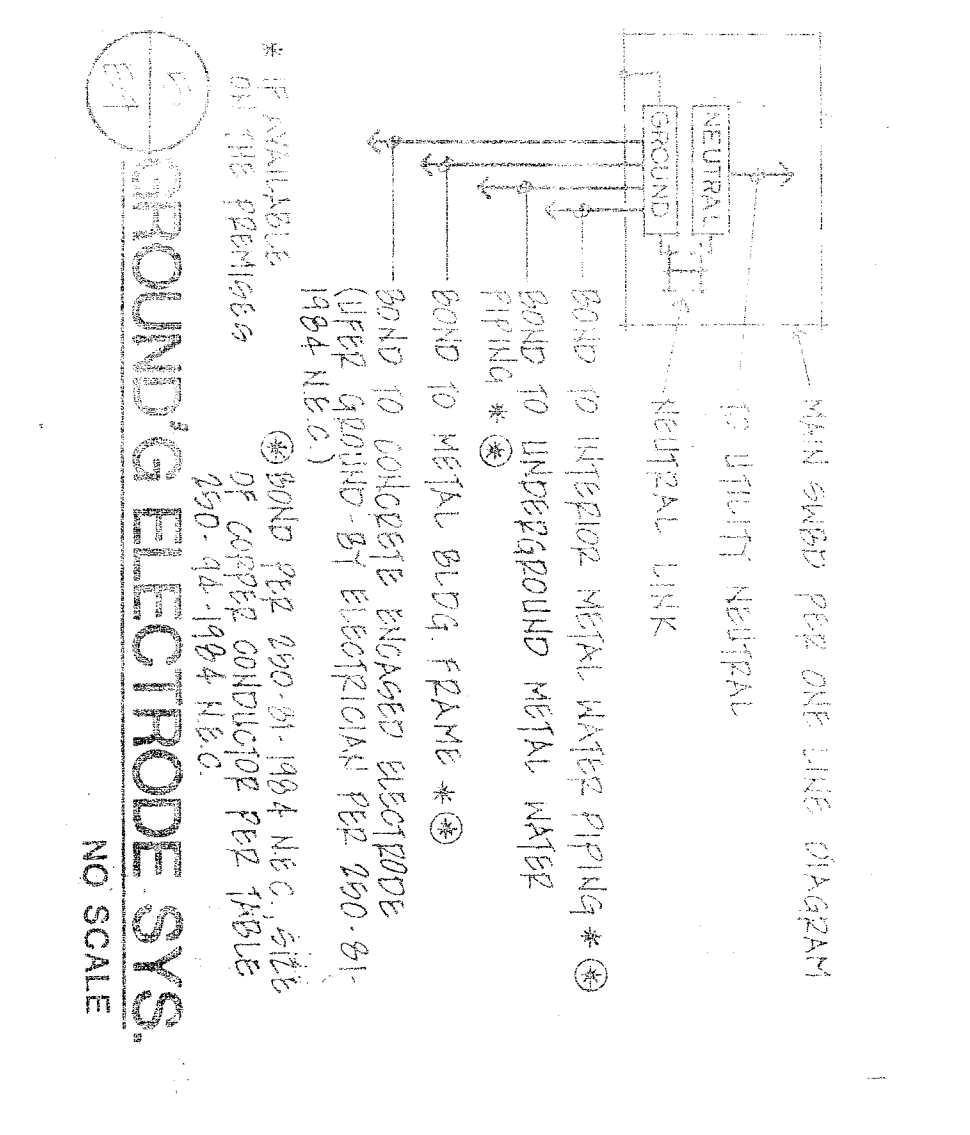
THE FIRE ALARM SYSTEM SHALL CONFORM TO SECTION 2-110 OF THE CALIFORNIA ELECTRICAL CODE AND SECTION 2-110 OF THE CALIFORNIA FIRE ALARM SYSTEMS CODE. THE DESIGN AND INSTALLATION OF THE FIRE ALARM SYSTEM SHALL NOT BE SPANNED UNTIL DETAILED PLANS, SPECIFICATIONS AND ENGINEERING CALCULATIONS HAVE BEEN ACCEPTED AND APPROVED BY THE STATE ARCHITECT AND THE STATE ENGINEER. THE ARCHITECT OR PROFESSIONAL ENGINEER WHOSE NAME IS ON A PARTICULAR PLAN OR SPECIFICATION, AND APPROVED BY THE STATE ARCHITECT AND THE STATE ENGINEER, SHALL BE RESPONSIBLE FOR THE DESIGN AND INSTALLATION OF THE FIRE ALARM SYSTEM. THE STATE ARCHITECT AND THE STATE ENGINEER SHALL BE RESPONSIBLE FOR THE DESIGN AND INSTALLATION OF THE FIRE ALARM SYSTEM. THE STATE ARCHITECT AND THE STATE ENGINEER SHALL BE RESPONSIBLE FOR THE DESIGN AND INSTALLATION OF THE FIRE ALARM SYSTEM.

FIRE ALARM SYSTEM BATTERY CAPACITY CALCULATION

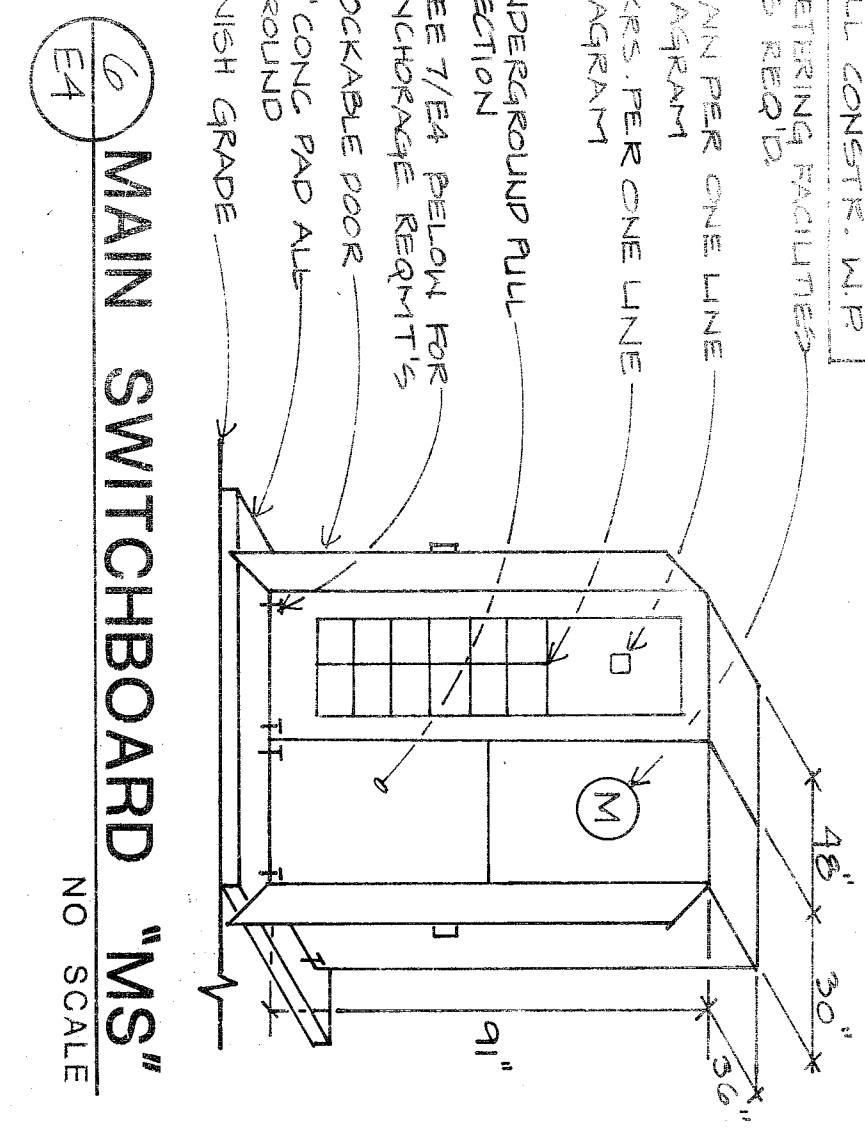
STANDARD (ANSI)	ALARM (ANSI)
0.235	0.550
1.13	
2.96	
0.235	
1.13	
2.96	



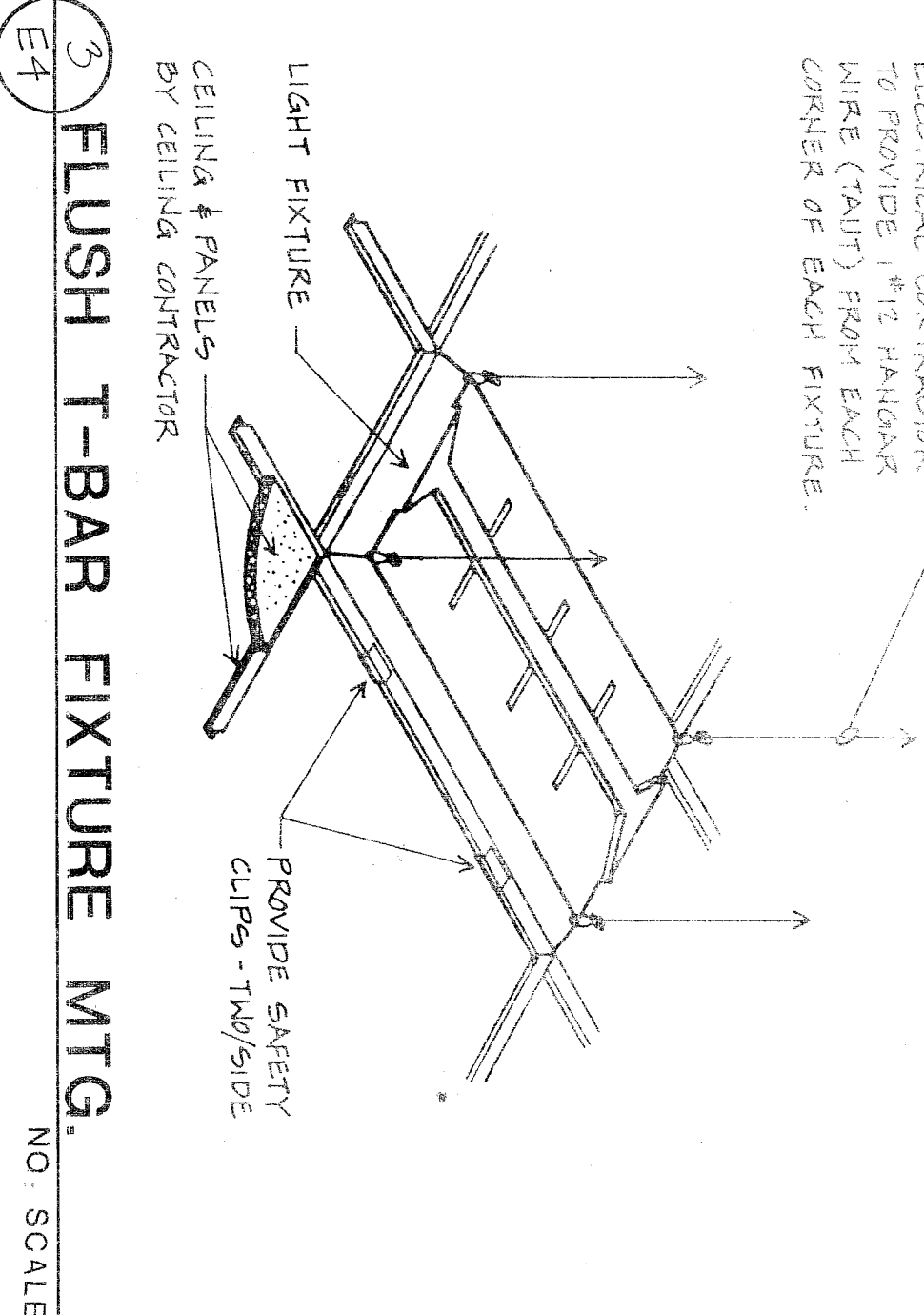
TRANSFORMER & FOUNDING DETAIL



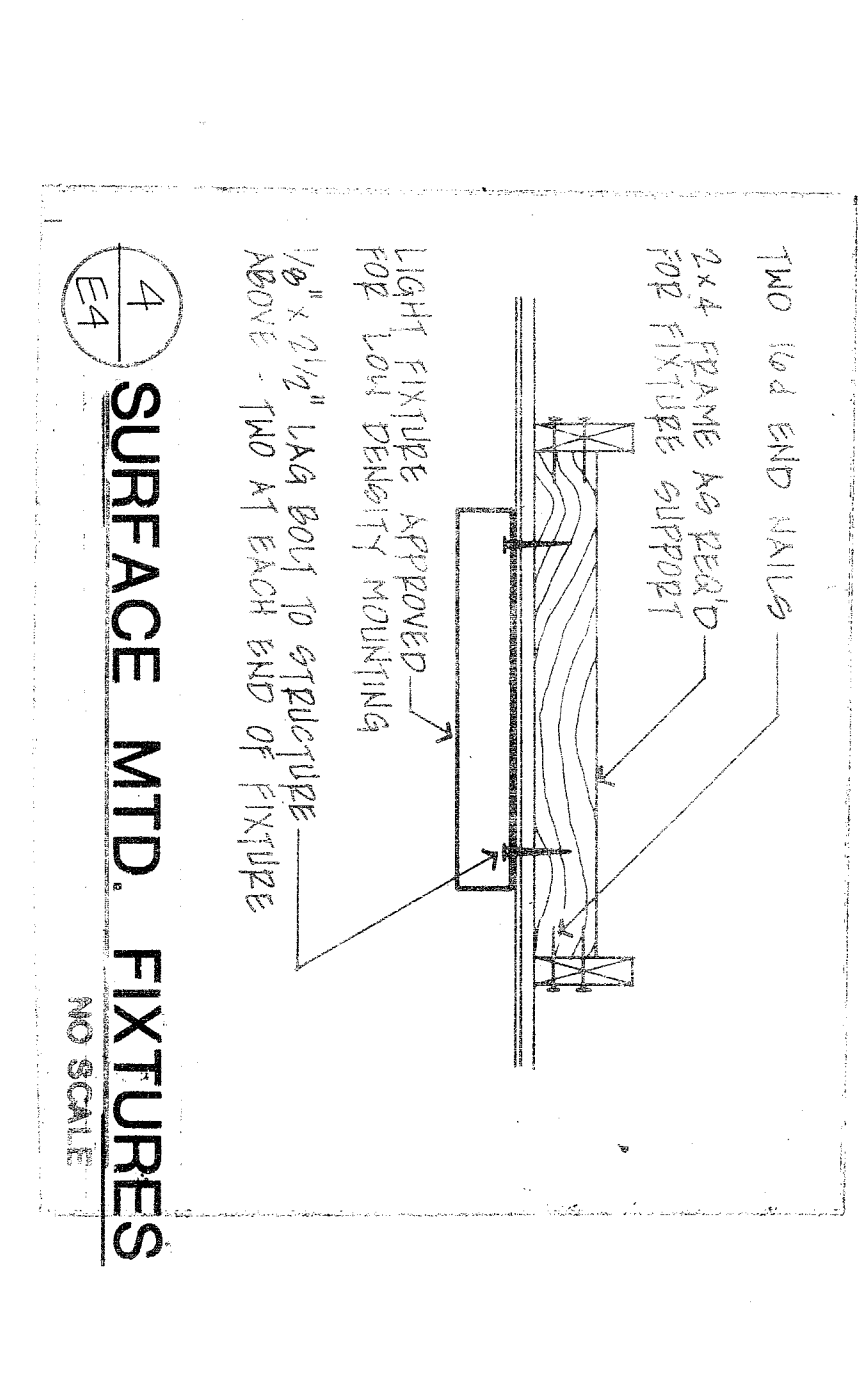
GROUNDING ELECTRODE SYS.



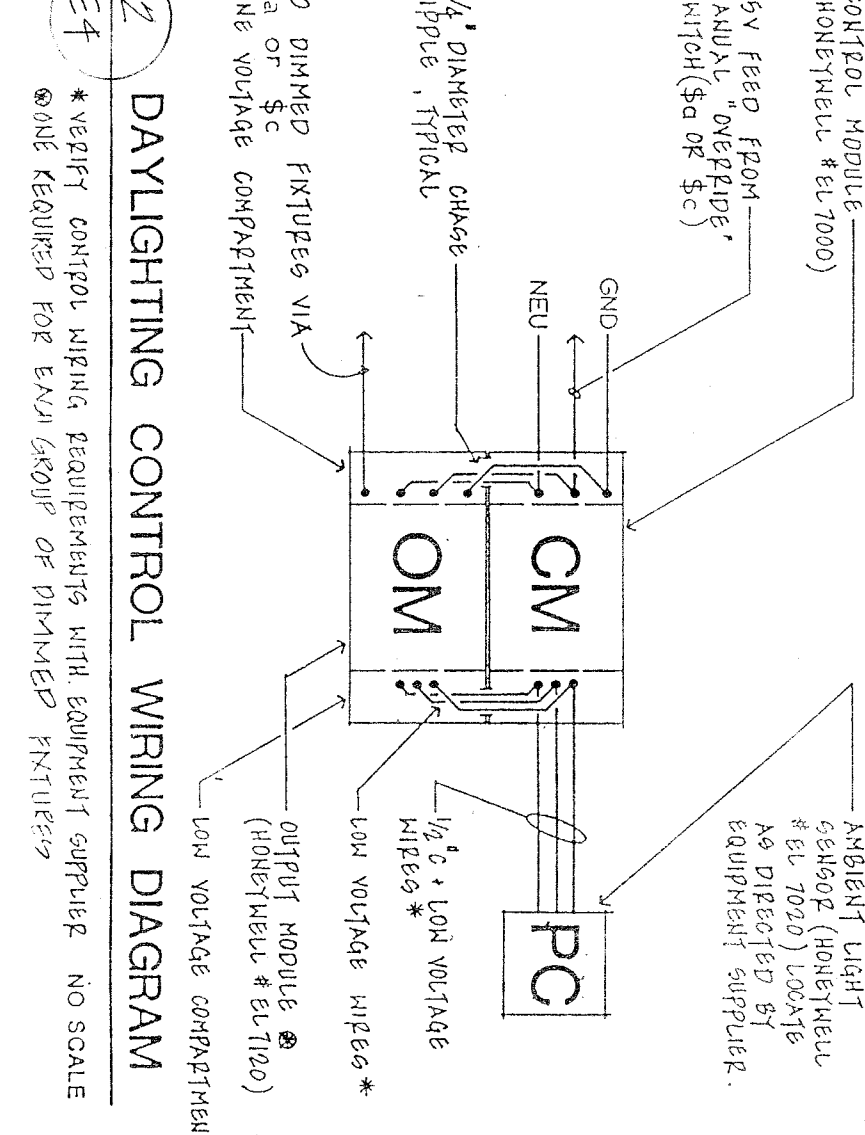
MAIN SWITCHBOARD 'MS'



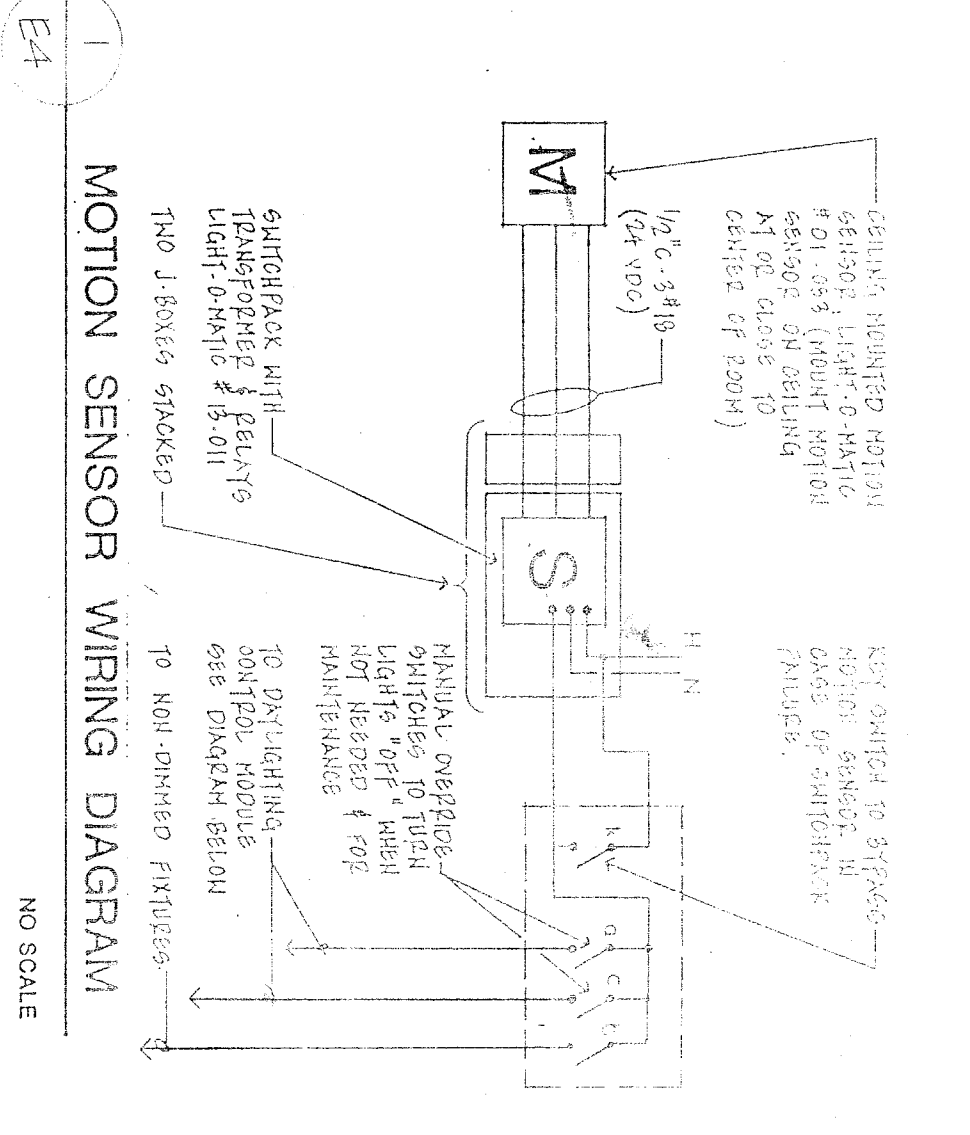
FLUSH T-BAR FIXTURE MTG.



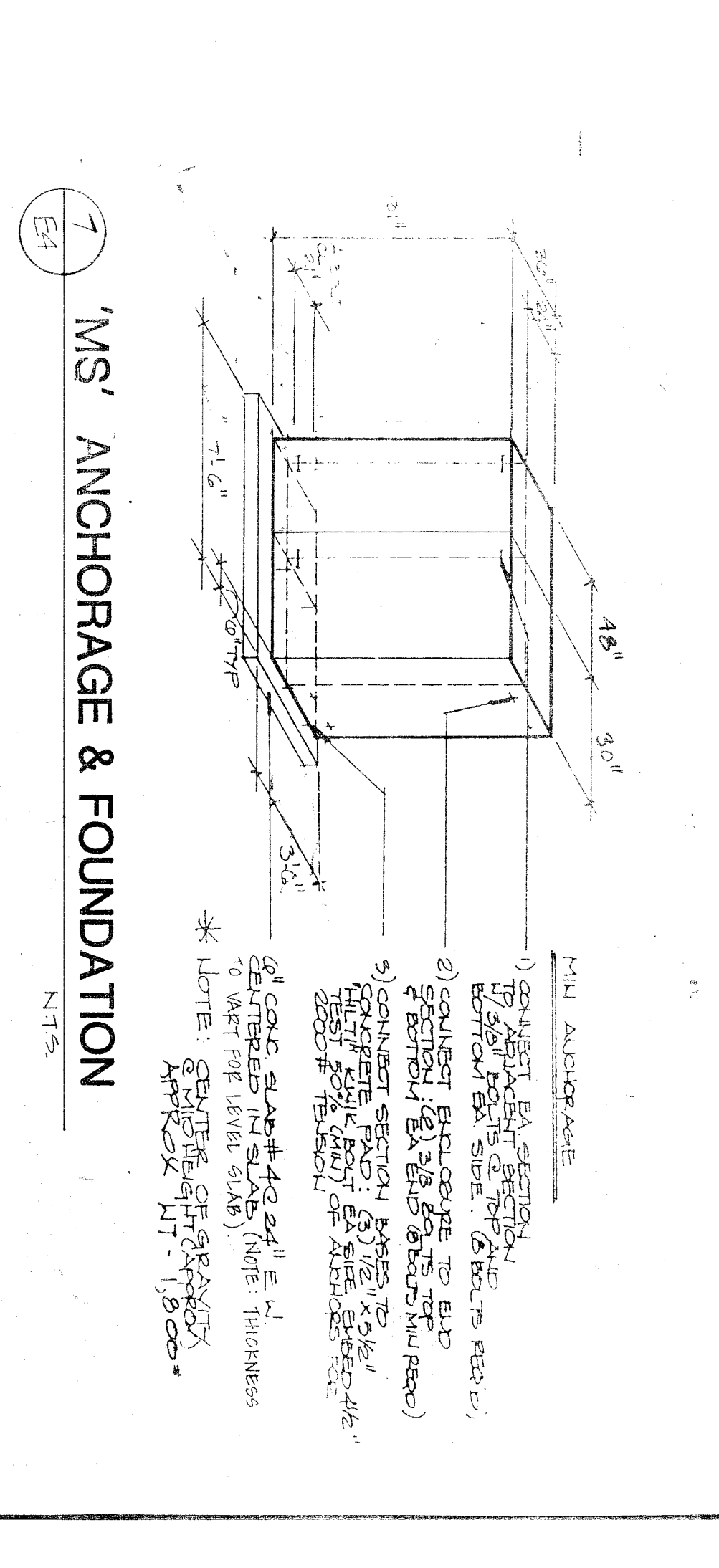
SURFACE MTD. FIXTURES



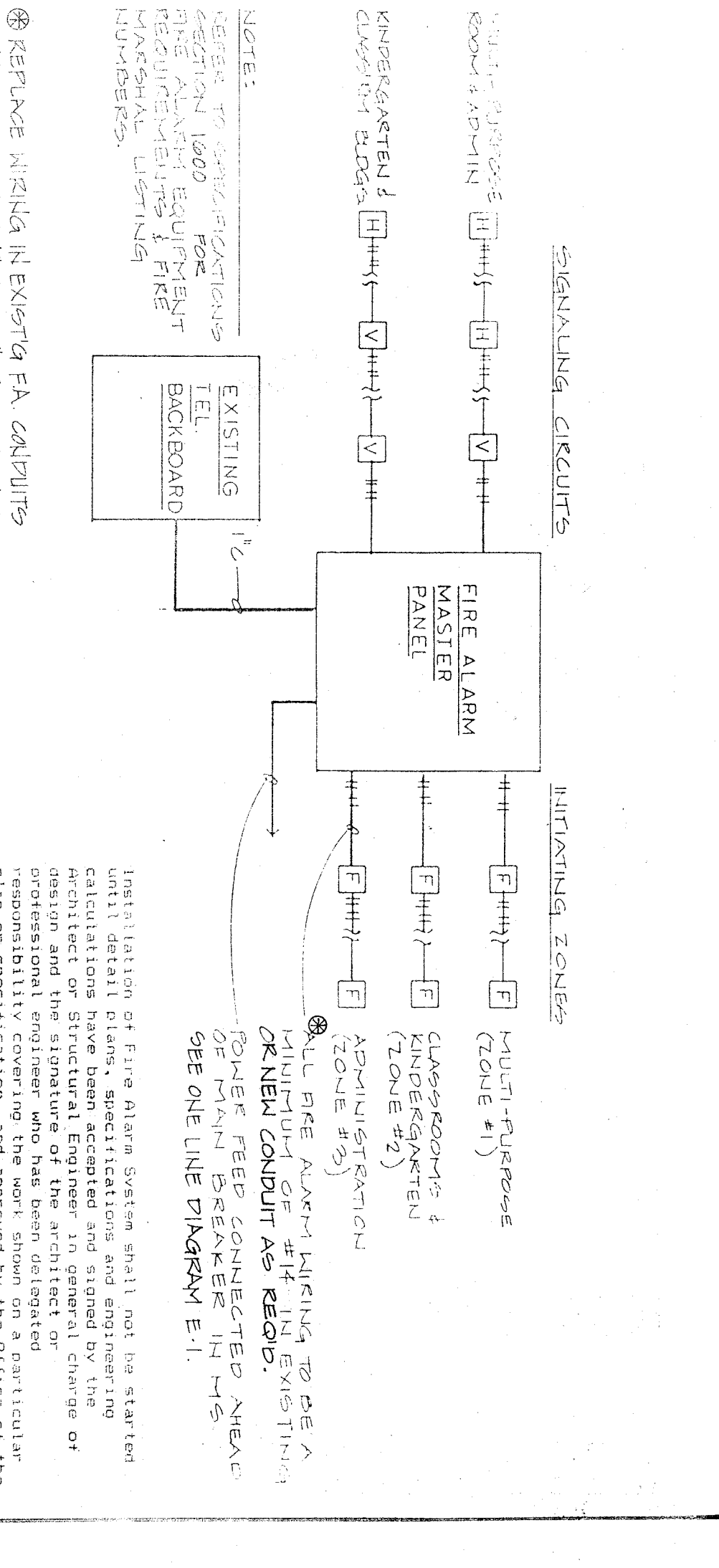
DAYLIGHTING CONTROL WIRING DIAGRAM



MOTION SENSOR WIRING DIAGRAM



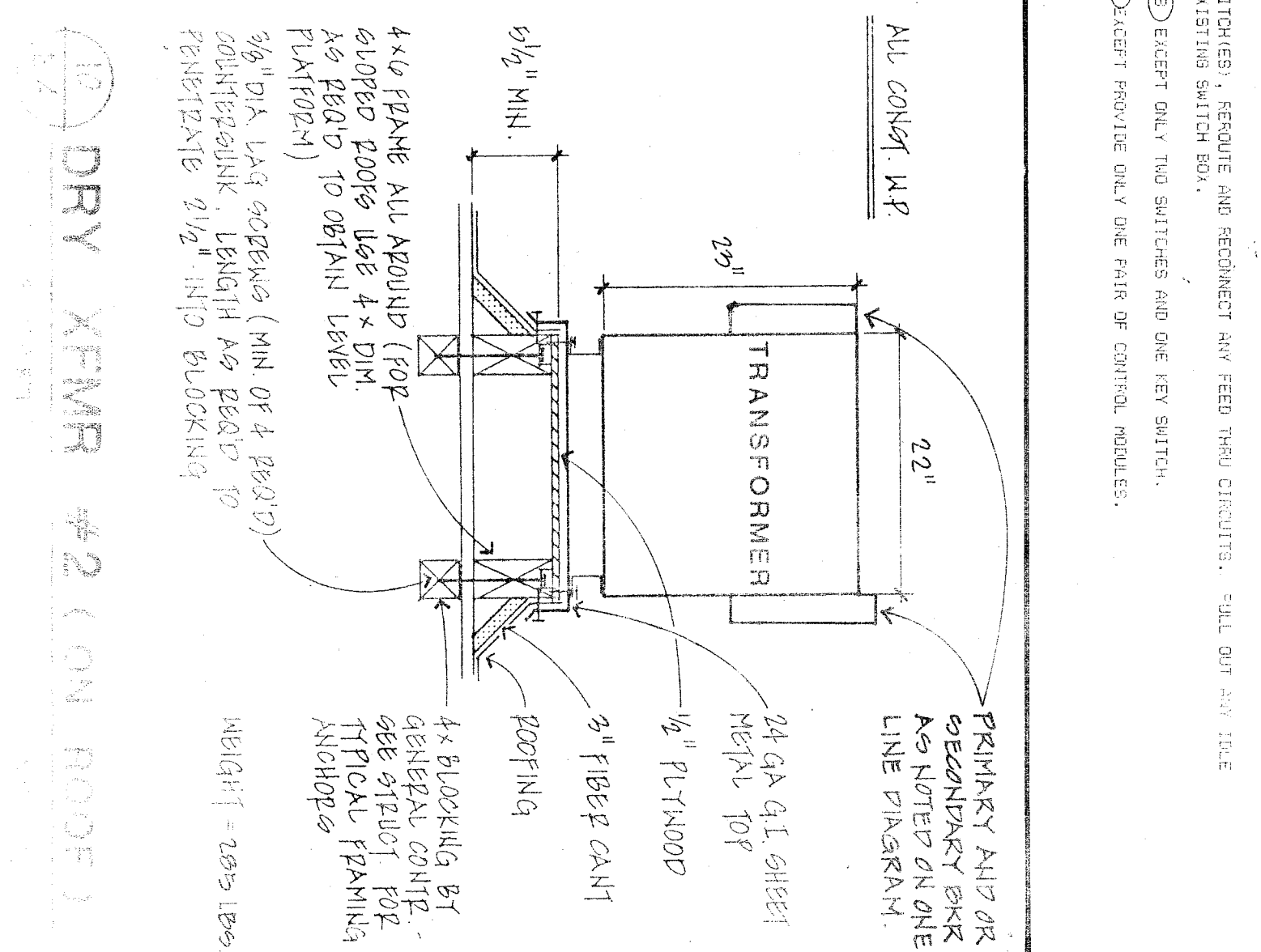
'MS' ANCHORAGE & FOUNDATION



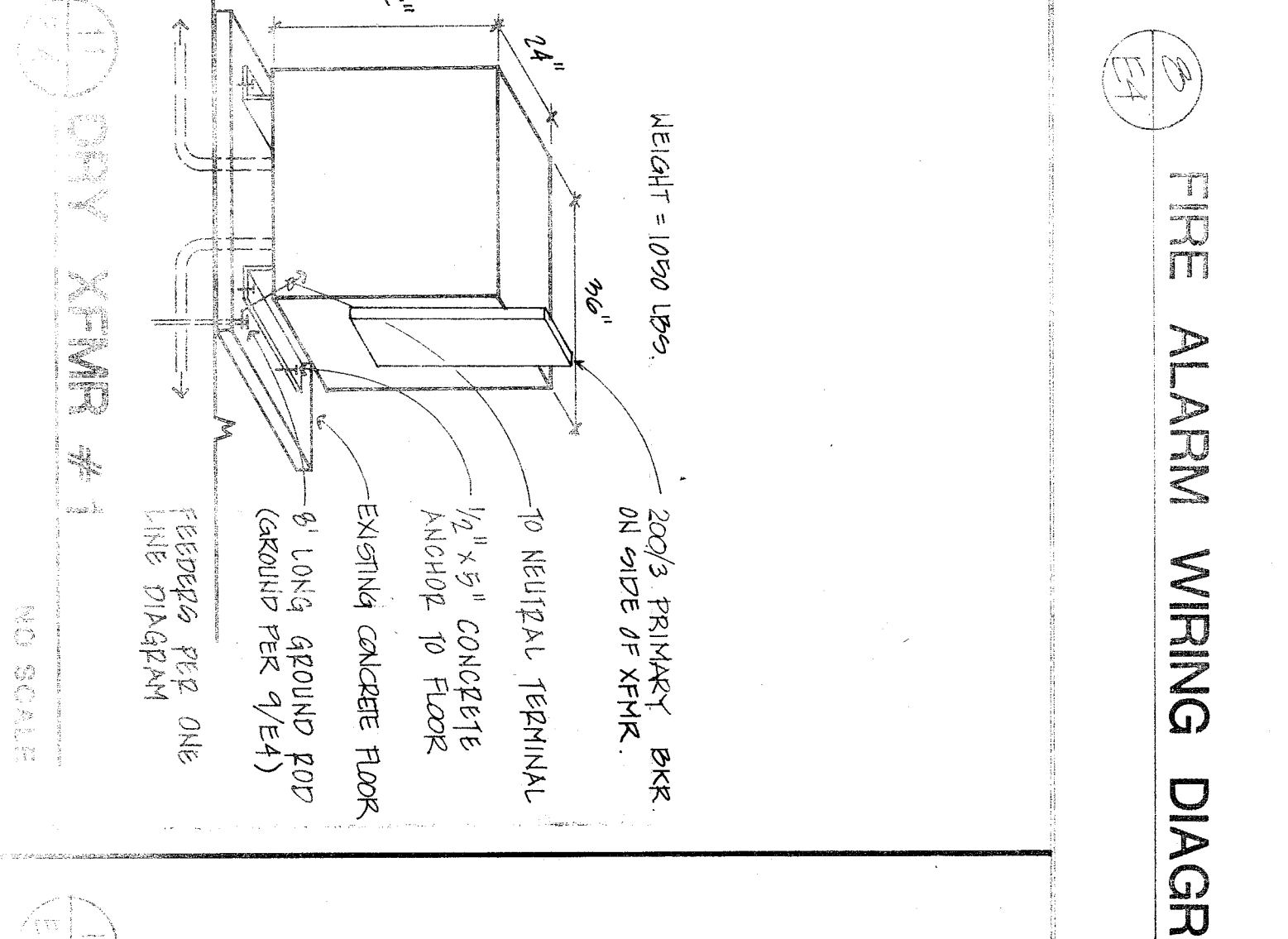
FIRE ALARM WIRING DIAGRAM

FIXTURE SCHEDULE

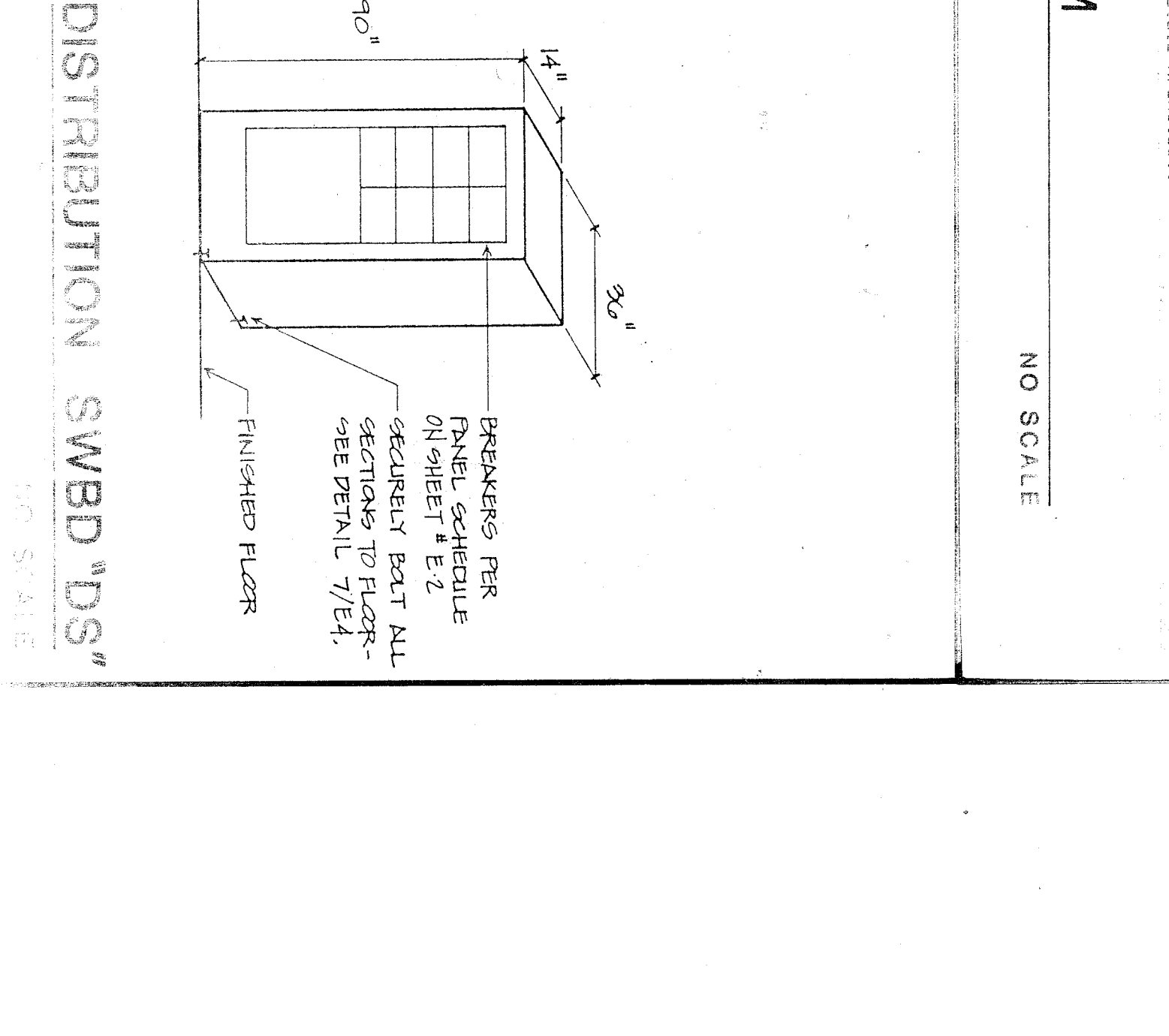
FIXTURE SYMBOL	(3-A-180) 3-CIRCUIT NUMBER AS-FIXTURE TYPE 150-WATT WATTAGE	ALL FLUORESCENT BALLASTS TO BE "WATT-MASTERS" OR EQUIVALENT (U.O.N.)	TYPE WATTS/LAMP	VOLT	MANUFACTURER CATALOG NO	NOTES
A	144	4-1740	METALLUX	120	BENJAMIN-HIN	AM-44
B	72	2-740	FAL-GAME	120	FE-1924-4	4-1/4" WIDE BODY
C	72	2-740	METALLUX	120	MB-240-A	4-1/4" WIDE BODY
D	72	2-740	METALLUX	120	MB-240-A	4-1/4" WIDE BODY
E	72	2-740	METALLUX	120	MB-240-A	4-1/4" WIDE BODY
F	34	1-170	METALLUX	120	CF11-2-15	4-1/4" WIDE BODY
G	144	4-1740	METALLUX	120	24-480-A	4-1/4" WIDE BODY
H	72	2-740	METALLUX	120	24-200-A	4-1/4" WIDE BODY
J	72	2-740	METALLUX	120	24-240	4-1/4" WIDE BODY
K	62	2-240	METALLUX	120	CR-820-6	4-1/4" WIDE BODY
X	30	MANUF	METALLUX	120	CR-820-6	4-1/4" WIDE BODY
XR	14	14	METALLUX	120	CR-820-6	4-1/4" WIDE BODY



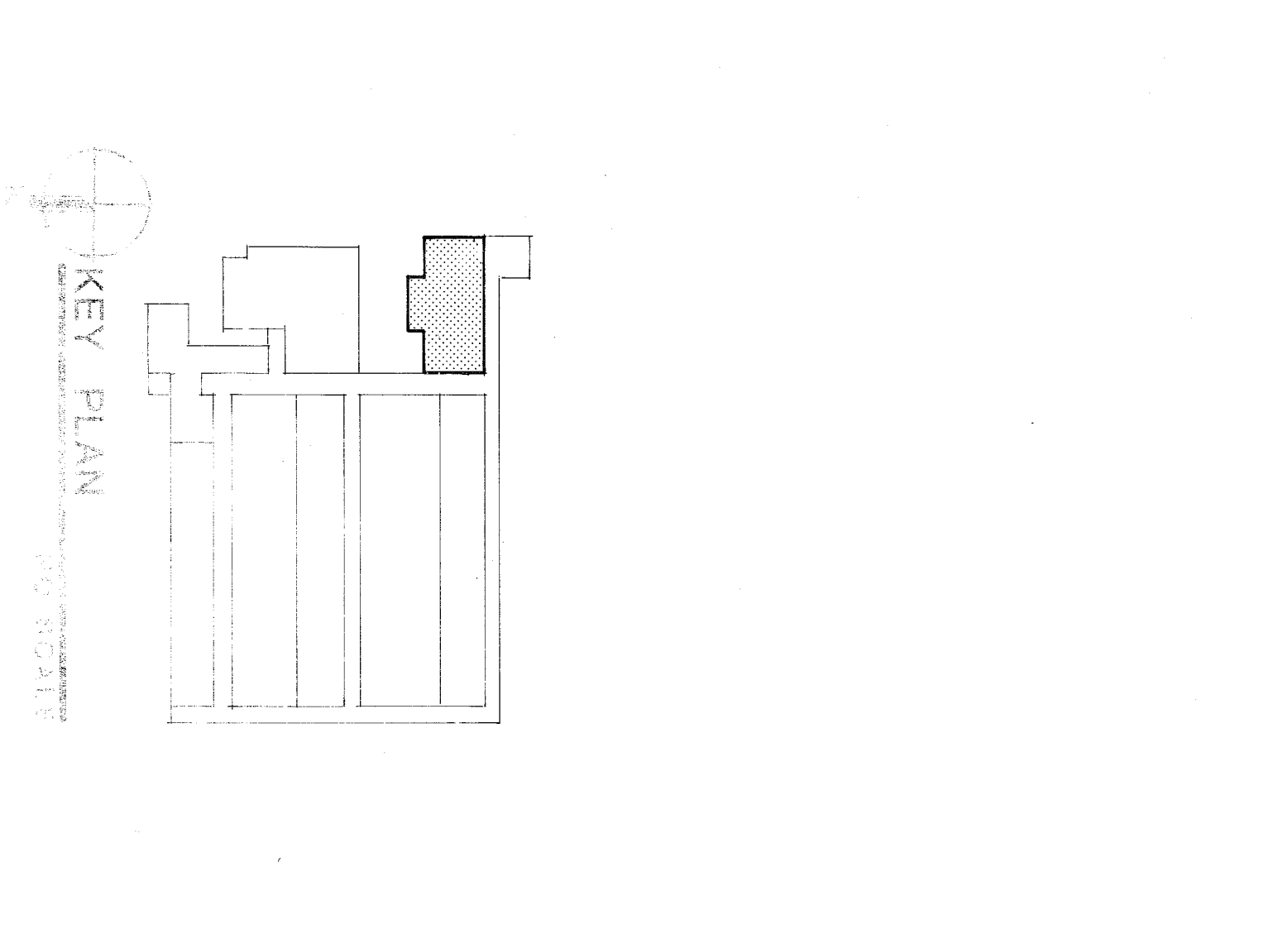
DRY XFMR #2 (ON ROOF)



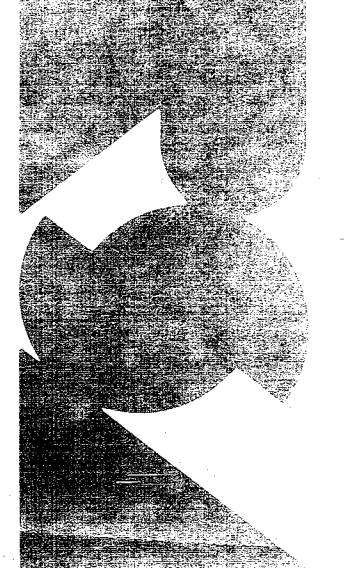
DRY XFMR #1



DISTRIBUTION SWBD 'DS'



KEY PLAN



ROBERT F. STUHR ARCHITECT INC.
 3121 CALIFORNIA AVE.
 BAKERSFIELD, CA 93304
 (805) 327-1632

ROBERT F. STUHR AIA C-1610
 WILLIAM J. MCELROY AIA C-18835
 DANNY E. OKOZ AIA C-14728

UNIT 'C' ELECTRICAL PLAN • DETAILS & SCHEDULES

MYRA A. NOBLE SCHOOL
 1015 NOBLE AVENUE
MODERNIZATION
 BAKERSFIELD CITY SCHOOL DISTRICT
 KERN COUNTY, CALIFORNIA

CONJUNCTION ENGINEERING, INC.
 914 W. Main St., Suite 201
 Bakersfield, CA 93301
 (805) 327-1632

CHECK AND VERIFY ALL DIMENSIONS BEFORE PROCEEDING WITH PERMITS. YOUR REPORT WILL BE FILED WITH ALL CONSTRUCTION SHALL CONFORM TO UBC.

MARK	DATE	REVISIONS