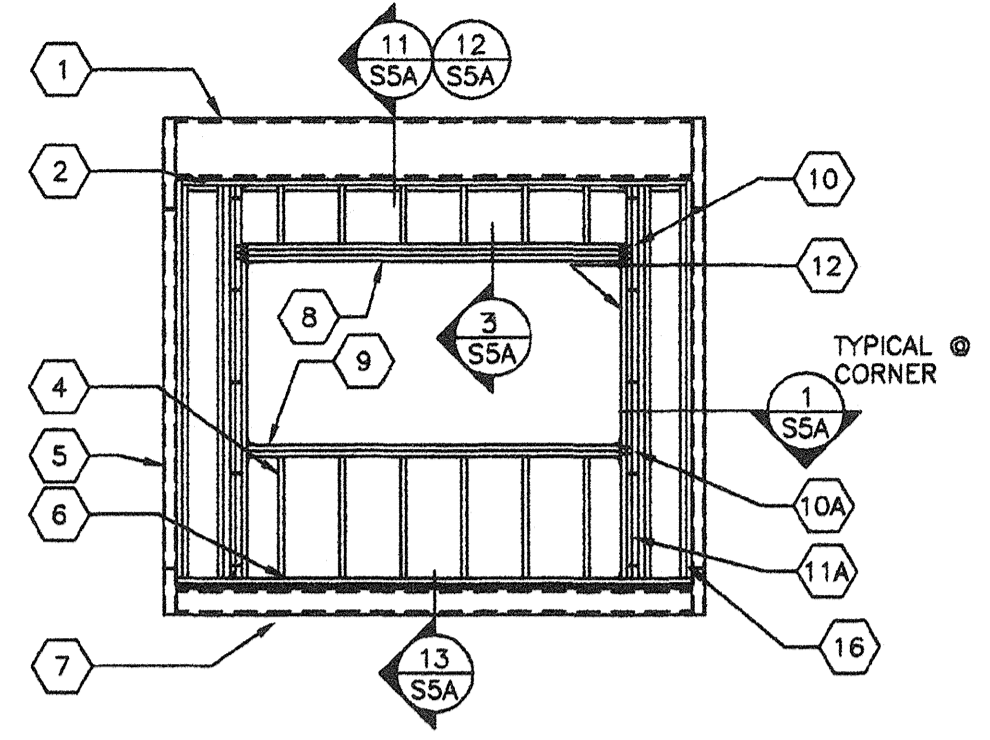
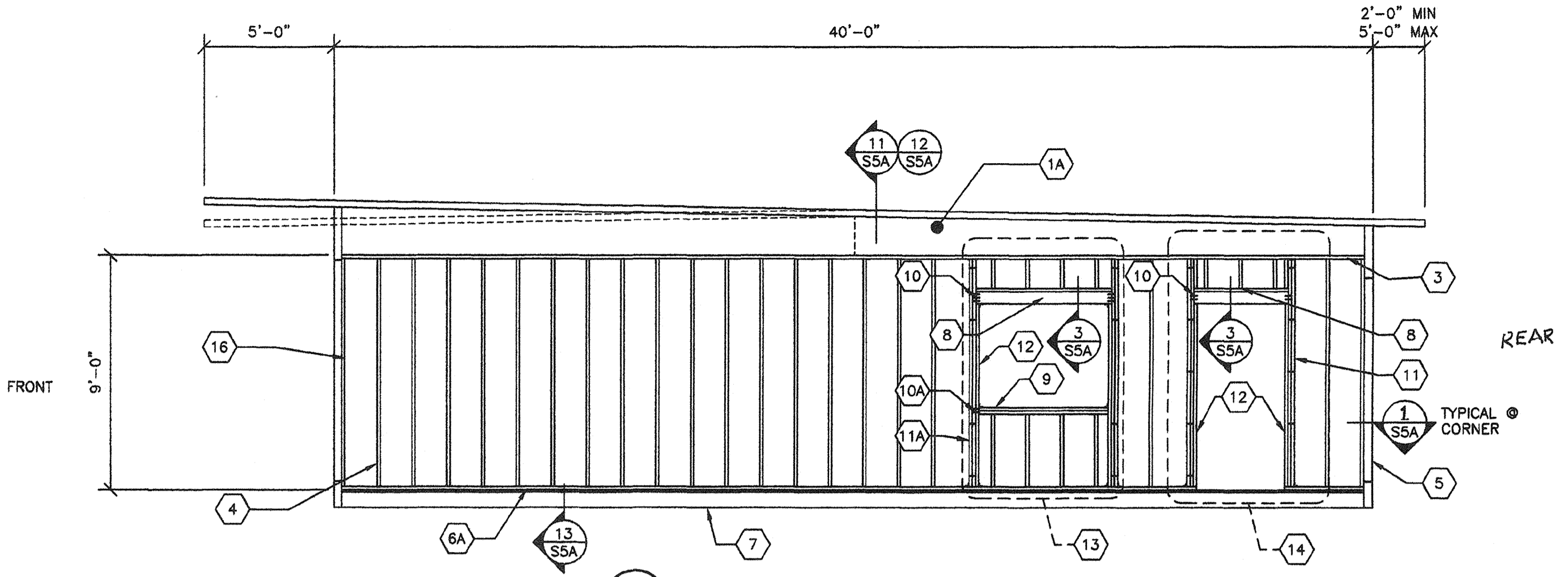


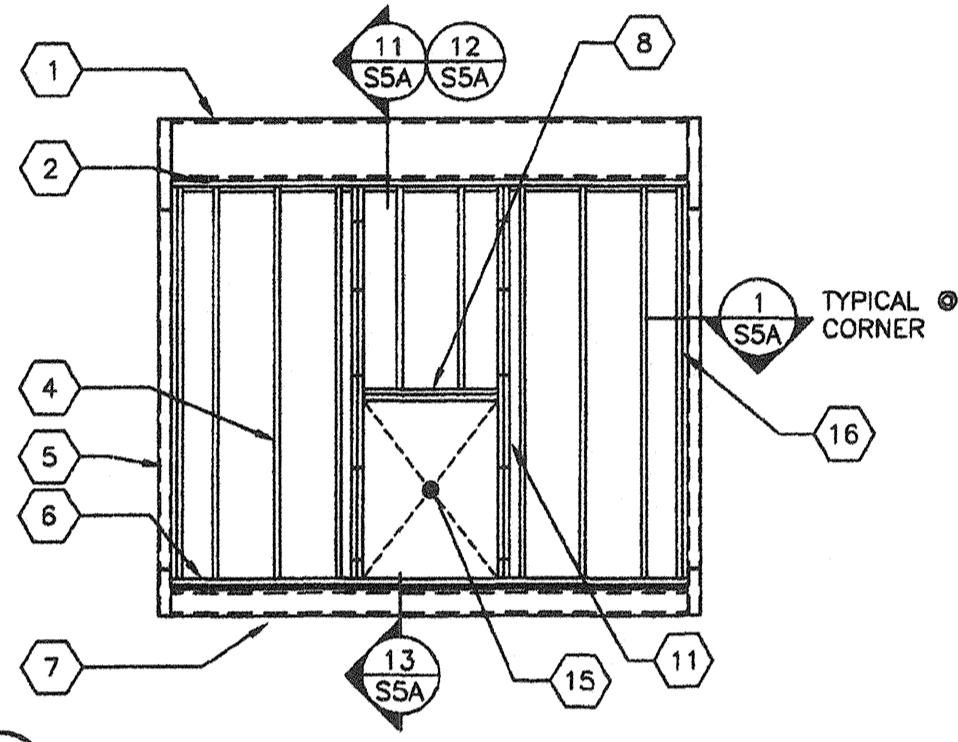
1 TYP END WALL FRAMING W/NO OPENINGS  
S5 1/4"=1'-0"



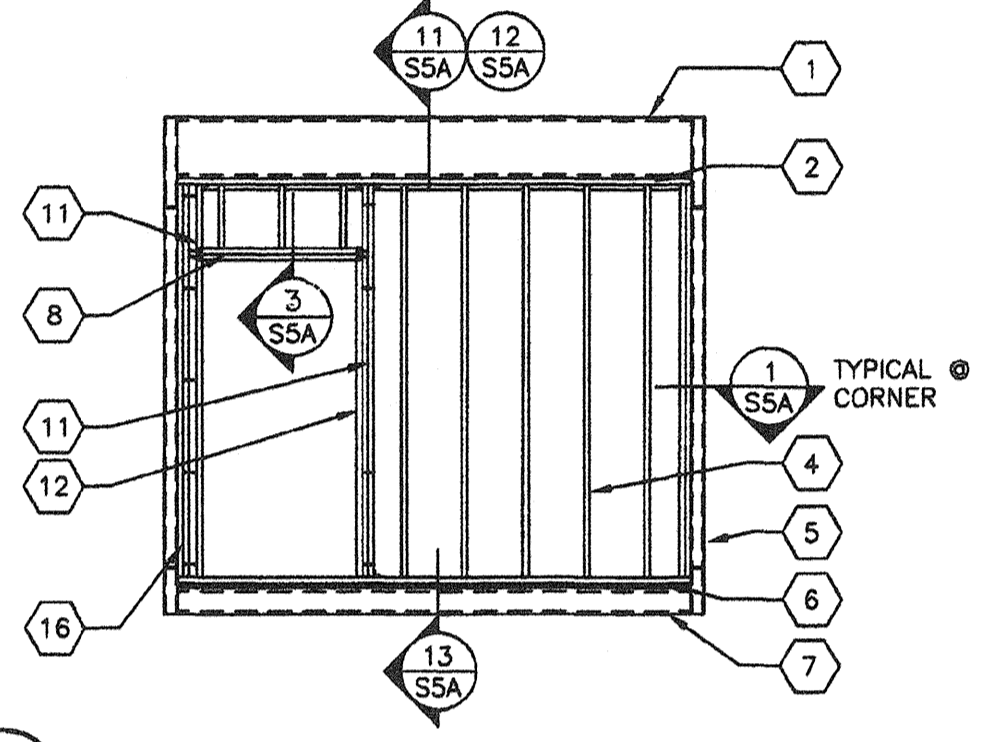
4 TYP END WALL FRAMING W/WINDOW  
S5 1/4"=1'-0"



6 TYP SIDE WALL FRAMING  
S5 1/4"=1'-0" (MONODUAL PITCH)

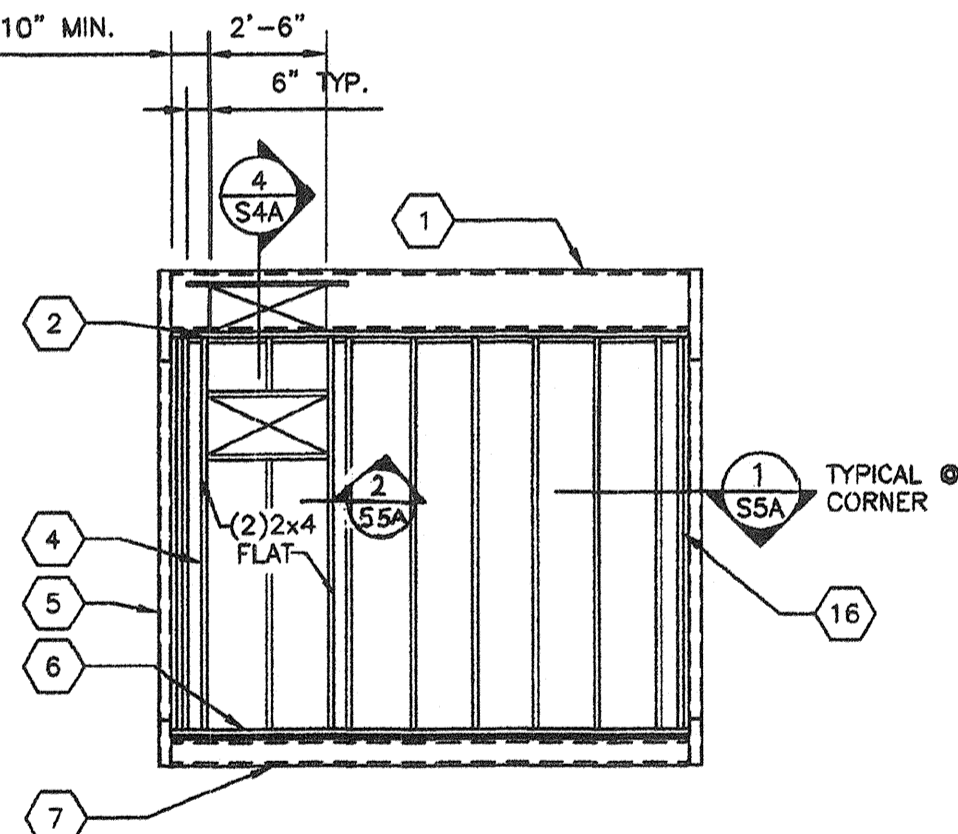


2 TYP END WALL FRAMING W/INDOOR HVAC UNIT  
S5 1/4"=1'-0" OPTIONAL



5 TYP END WALL FRAMING W/DOOR  
S5 1/4"=1'-0"

- KEY NOTES -
- 1 ROOF HEADER
  - 1A ROOF BEAM
  - 2 2x4 PLATE NO SPLICE
  - 3 2x4 PLATE
  - 4 2x4 STUDS SPACED PER SCHEDULE TYP. W/ (3) .131x3" NAILS @ EA END
  - 5 HSS COLUMN
  - 6 2x4 BOTTOM PLATE NO SPLICES
  - 6A 2x4 BOTTOM PLATE
  - 7 PERIMETER FLOOR BEAM
  - 8 (2) 2x6 W/ 2x4 FLAT HEADER ALT. (3) FLAT 2x4 HEM FIR. PER DETAIL 3/SSA
  - 9 (2) 2x4 HEM FIR #2 WINDOW SILL PLATE (3) 2x4 HEM FIR #2 OR (2) 2x4 DOUG FIR #2 @ 8" WIDE WINDOW SILL PLATE WITH STUCCO FINISH ONLY
  - 10 (5).131x3" END NAILS THROUGH KING STUD TYP
  - 10A (3) .131x3" END NAILS THROUGH KING STUD. TYP.
  - 11 (2) 2x4 KING STUDS W/ (2) A34 T&B TO PLATE (INTERNAL W/O.131 NAILS @ 14" OC TYP MAX.)
  - 11A (3) 2x4 KING STUDS W/ (2) A34 T&B TO PLATE (INTERNAL W/O.131 NAILS @ 14" OC TYP MAX.)
  - 12 2x4 TRIMMER
  - 13 OPTIONAL WINDOW OPENING MAX 8'-0" WIDE (REFER TO 4/SS FOR DETAILS AND FLOOR PLANS FOR LOCATIONS)
  - 14 OPTIONAL DOOR OPENING (REFER TO 5/SS FOR DETAILS AND FLOOR PLANS FOR LOCATIONS)
  - 15 HVAC OPENINGS @ INDOOR UNIT
  - 16 2x NAILER



3 TYP END WALL FRAMING W/WALL HUNG HVAC UNIT  
S5 1/4"=1'-0" OPTIONAL

EXTERIOR WALL FINISH/WALL STUD SCHEDULE

| FINISH TYPE  | FOUNDATION TYPE  | WALL FINISH COMMENTS                             | STUD TYPE   | STUD SPACING TYPICAL | STUD SPACING @ CORNERS |
|--|------------------|--|-------------|----------------------|------------------------|
| 5/8" PLYWOOD SHEATHING 303 CONFORMING TO PS1-95. VERTICAL GROOVES @ 8" OC                        | WOOD OR CONCRETE | JOINT DETAIL SEE 9/SSA NAILING PER BLDG SECTIONS | HEM FIR #2  | @ 16" OC             | @ 16" OC               |
| 5/8" HARDIBOARD WITH SYNTHETIC STUCCO  | WOOD OR CONCRETE | PER SHEETS A5, A5A, A6 & A6A                     | DOUG FIR #2 | @ 16" OC             | @ 16" OC               |
| 5/8" HARDI-LAP SIDING  | WOOD OR CONCRETE | PER SHEETS A5, A5A, A6 & A6A                     | HEM FIR #2  | @ 16" OC             | @ 16" OC               |
| 5/8" PLYWOOD SHEATHING CONFORMING TO PS1-95, APA RATED, 5 PLY 32/16, EXPOSURE 1 WITH 5/8" STUCCO | CONCRETE ONLY    | NAILING PER BLDG SECTIONS                        | DOUG FIR #2 | @ 16" OC             | @ 12" OC               |
|  |                  |  | HEM FIR #2  | @ 16" OC             | @ 16" OC               |

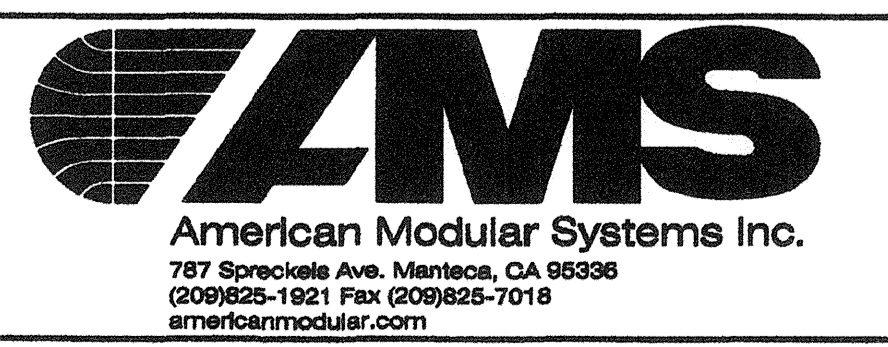
- ALL NAILS IN EXTERIOR APPLICATIONS TO BE GALVANIZED.
- WALL CORNERS ARE DEFINED AS A DISTANCE OF 8 FEET IN BOTH DIRECTIONS FROM EACH CORNER OF BUILDINGS WITH 2160 SQ. FT. OR GREATER AND A DISTANCE OF 3 FEET IN BOTH DIRECTIONS FROM EACH CORNER OF BUILDINGS WITH LESS THAN 2160 SQ. FT.
- TYPICAL PLYWOOD NAILING WHERE OCCURS .131x2 1/4" GALV @ 6" O.C E.N. & 12" O.C. F.N.

REVISIONS

| NO | DATE | DESCRIPTION |
|----|------|-------------|
|    |      |             |
|    |      |             |
|    |      |             |
|    |      |             |

DATE: 02/25/08  
SCALE: NOTED  
DRAWN BY: DM  
SERIAL NO.:

CUSTOMER:  
  
12' x 40' RELOCATABLE BUILDINGS  
WALL FRAMING ELEVATIONS



APPROVALS:  
THESE DRAWINGS ARE PRELIMINARY AND NOT FOR CONSTRUCTION UNLESS STAMPED & SIGNED BY THE ENGINEER OF RECORD.  
Kenneth A. Lubert  
No. 4416  
EXP. 3-31-11  
Structural Engineer  
STATE OF CALIFORNIA

IDENTIFICATION STAMP  
DIV. OF THE STATE ARCHITECT  
03-112985  
AC: FLS: SSA: M  
DATE: 2/10/08

IDENTIFICATION STAMP  
DIV. OF THE STATE ARCHITECT  
OFFICE OF REGULATION SERVICES  
PC 02-109808  
AC: FLS: SSA: M  
DATE: 2/10/08

PROJECT No.  
  
S5

THESE DRAWINGS AND SPECIFICATIONS ARE THE PROPERTY OF AMERICAN MODULAR SYSTEMS, INC. AND ARE NOT TO BE REPRODUCED, CHANGED OR COPIED IN ANY FORM OR MANNER, NOR ARE THEY TO BE ASSIGNED TO ANY THIRD PARTY WITHOUT THE WRITTEN AUTHORIZATION OF AMERICAN MODULAR SYSTEMS, INC.