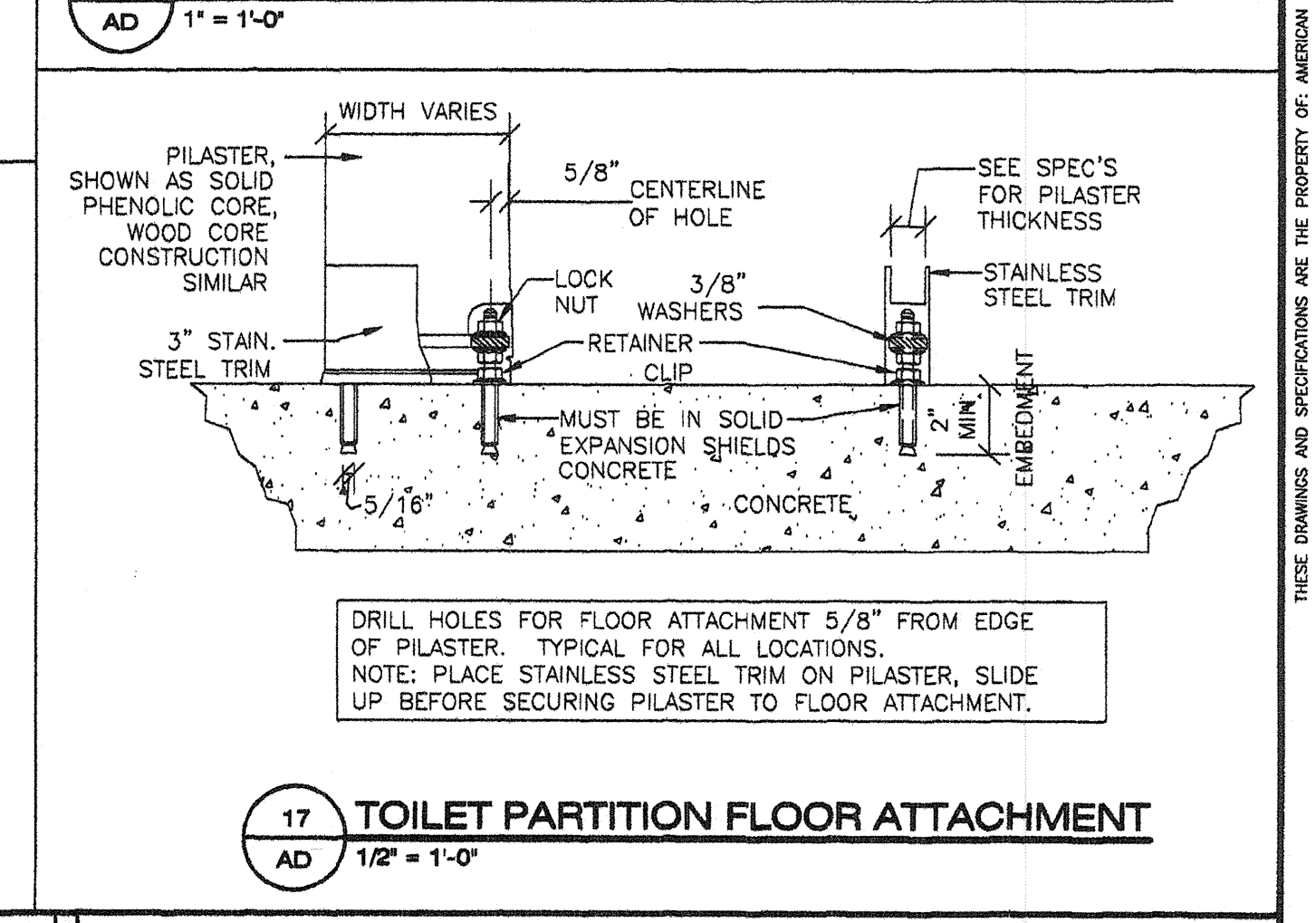
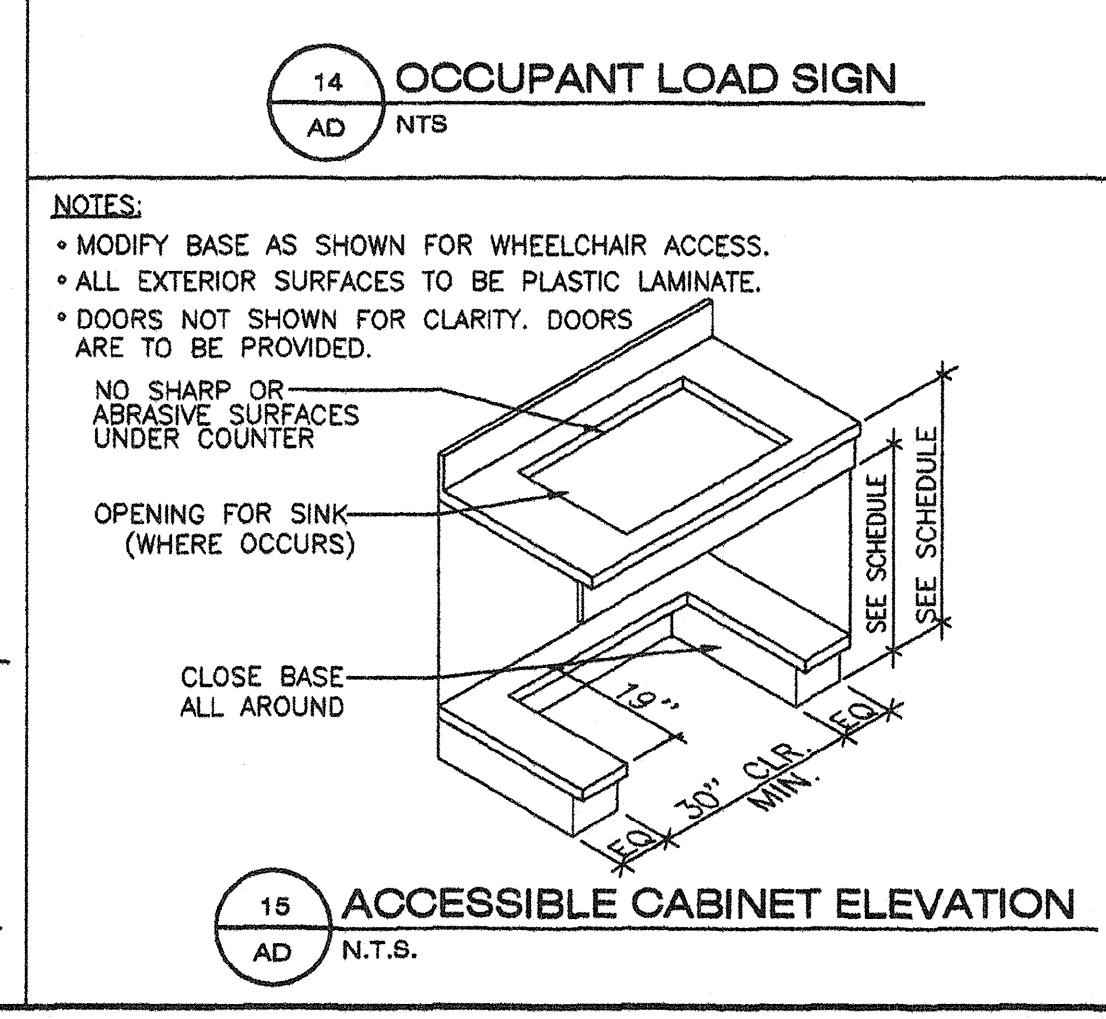
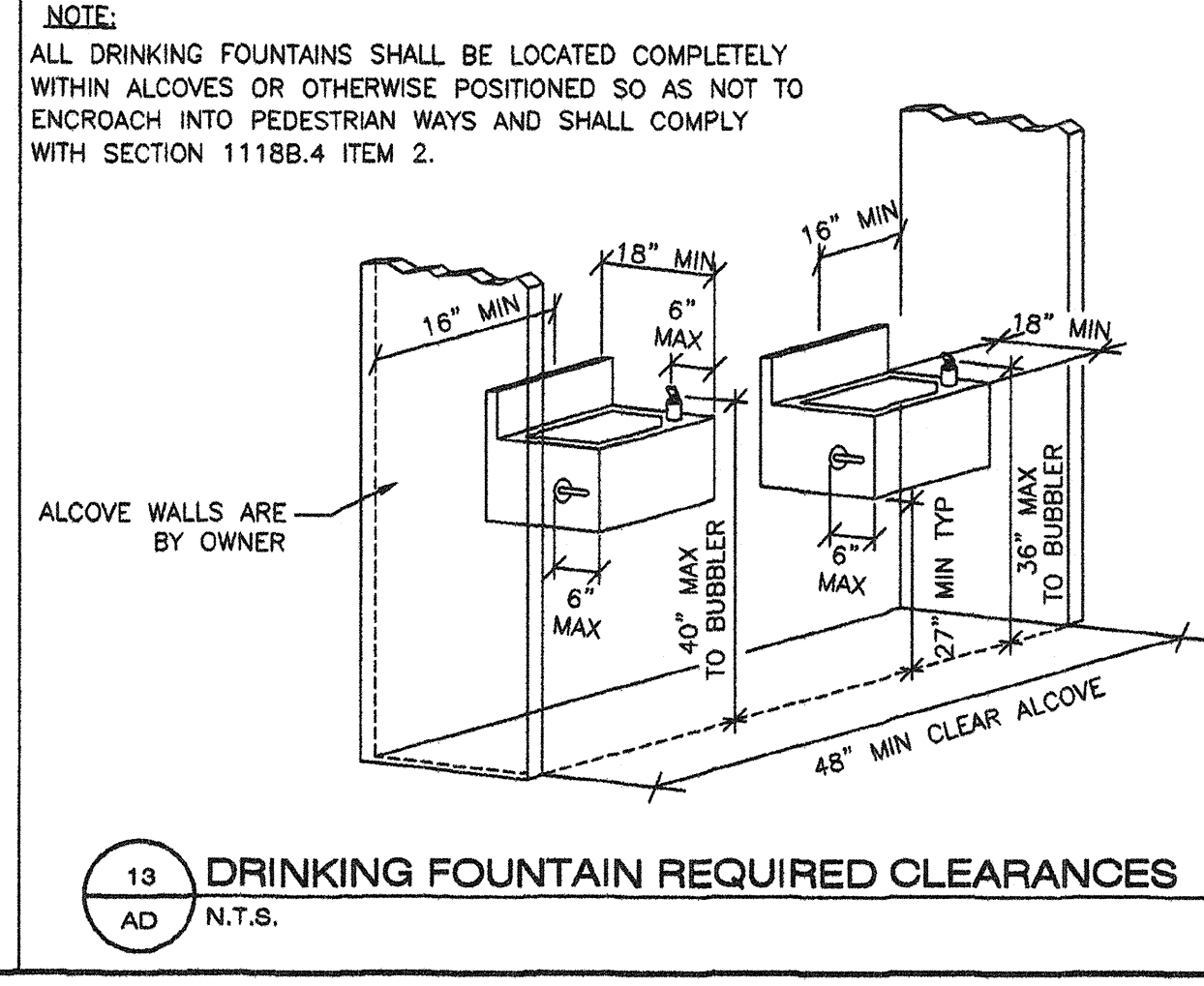
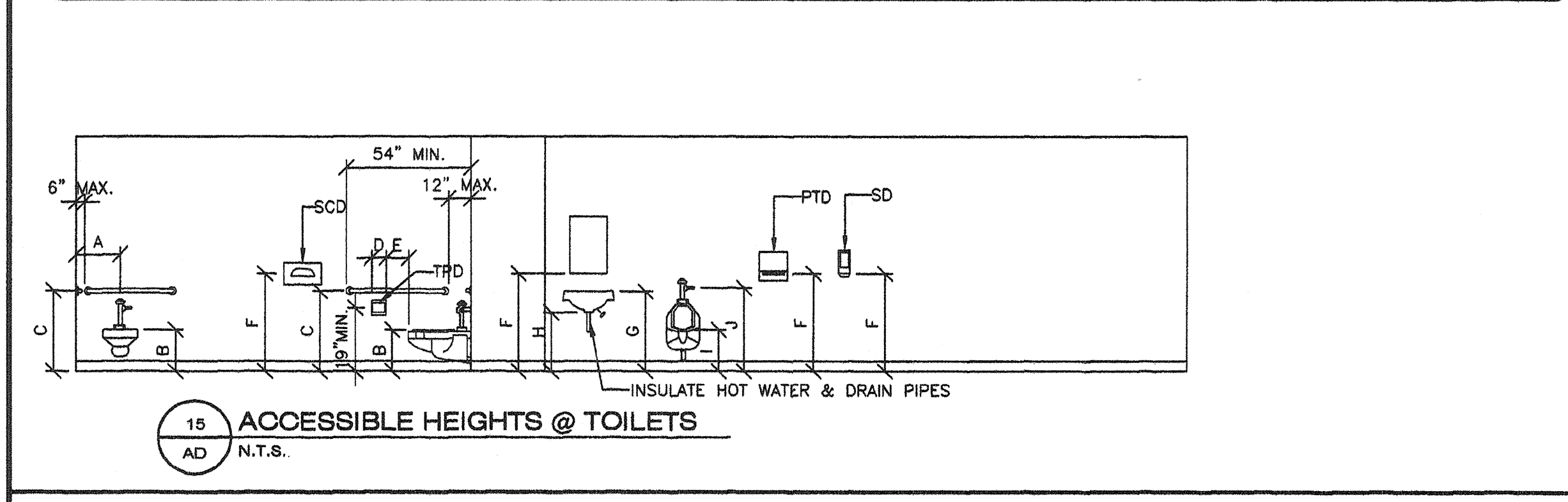
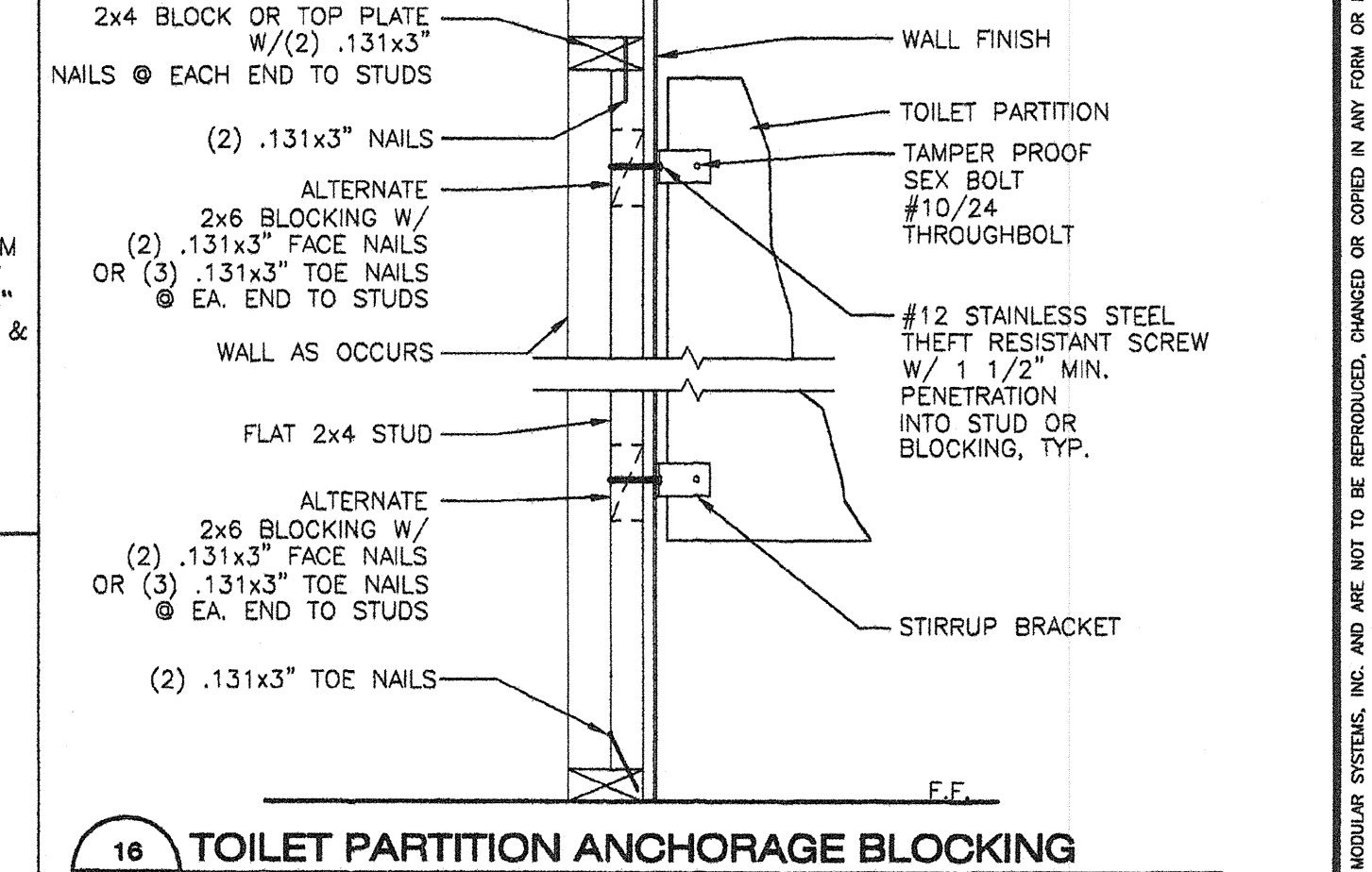
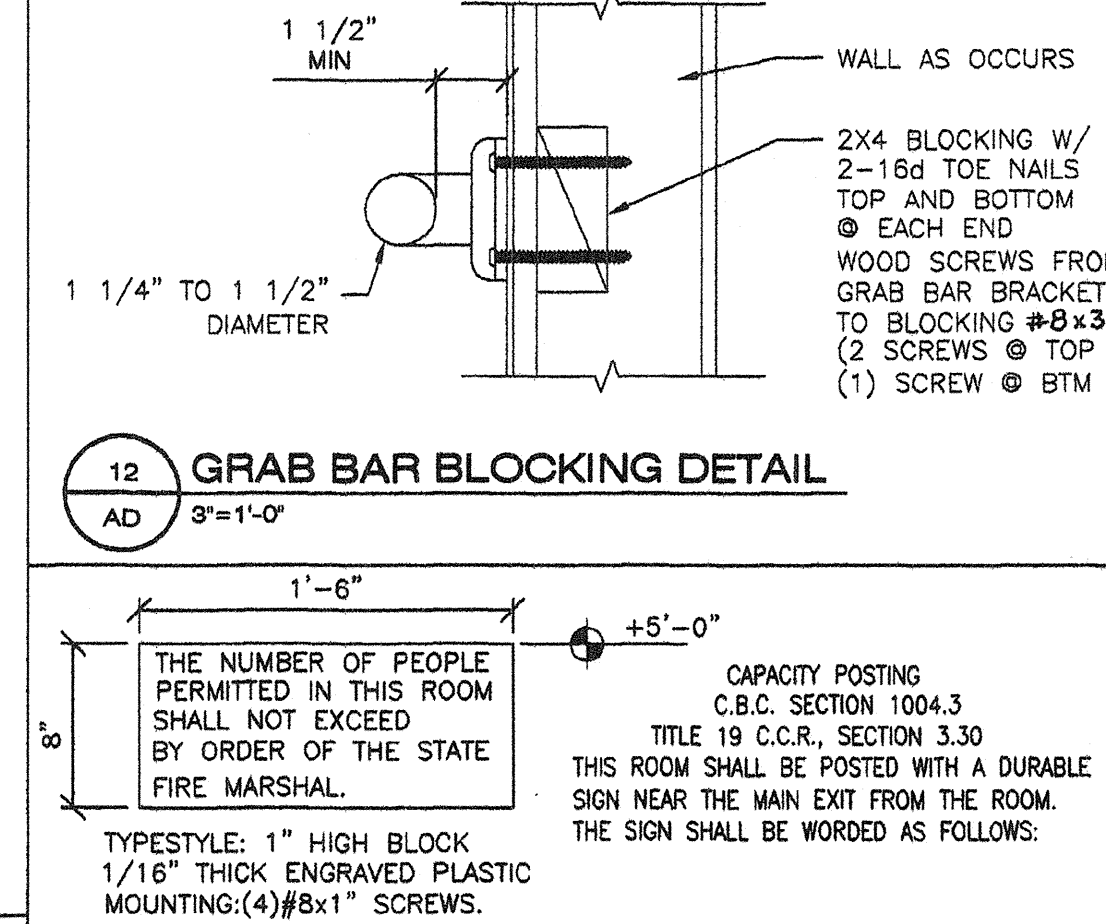
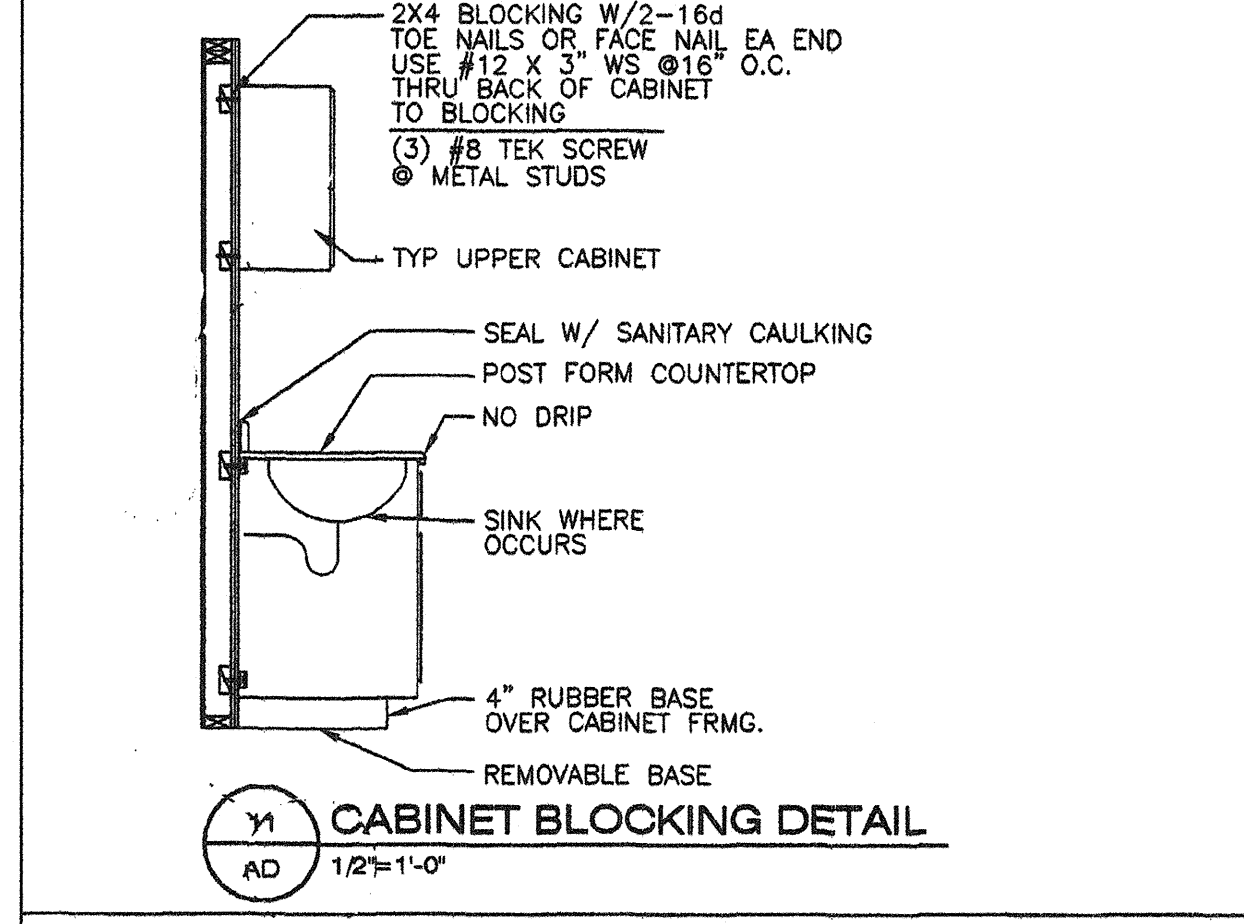


DIMENSIONS FOR ACCESSIBILITY IN TOILET FACILITIES				
FIXTURE TYPE	ADULT (AGE 12 AND OVER) DIMENSION	ELEMENTARY DIMENSION	KINDERGARTEN & PRE-SCHOOL DIMENSION	REMARKS
A TOILET CENTERLINE FROM WALL	18"	15"	12"	FLUSH VALVE TO WIDE SIDE OF STALL TYP
B TOILET SEAT HEIGHT (TO TOP OF SEAT)	17"-19"	15"	10"-12"	
C GRAB BAR HEIGHT	33"	27"	20"-22" ABOVE SEAT *	36" GRAB BAR @ REAR OF TOILET (250 LB CAPACITY TYP) (ALLOWED @ 36" A.F.F. @ TANK TYPE TOILET) 42" GRAB BAR @ SIDE OF TOILET
D TOILET PAPER DISPENSER IN FRONT OF TOILET (TPD)	12" MAX.	6" MAX.	6" MAX. **	12" IN FRONT OF TOILET ROLL PAPER HOLDER WITHOUT STOPS 24" IN FRONT OF TOILET (BY OWNER)
E NAPKIN DISPOSAL IN FRONT OF TOILET (SND)	12" MAX.	12" MAX.	N/A	
F DISPENSER OR MIRROR HEIGHT	40" MAX.	36" MAX.	32" MAX.	
G LAVATORY/SINK TOP HEIGHT	34" MAX.	29" MAX.	24" MAX.	WRAP DRAIN WATER IF HOT WATER OCCURS
H LAVATORY/SINK KNEE CLEARANCE	27" MIN.	24" MIN.	19" MIN.	
I URINAL LIP HEIGHT	17" MAX.	15" MAX.	13" MAX.	
J URINAL FLUSH HANDLE HEIGHT	44" MAX.	37" MAX.	32" MAX.	
K DRINKING FOUNTAIN BUBBLER HEIGHT	36" MAX.	32" MAX.	30" MAX.	
L DRINKING FOUNTAIN KNEE CLEARANCE	27" MIN.	24" MIN.	22" MIN.	
M RAMP/STAIR HANDRAIL HEIGHT	34"-38"	27"	22"	

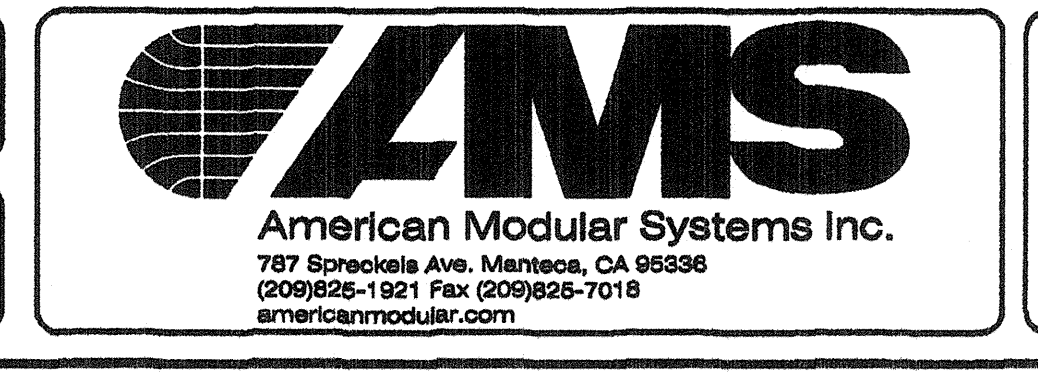
* = ABOVE SEAT
 ** = DEVIATES FROM CODE REQUIREMENTS AND REQUIRES A WRITTEN FINDING OF UNREASONABLE HARDSHIP
 NOTE: 1. ALL ITEMS ON THIS SCHEDULE DO NOT NECESSARILY OCCUR IN THE PROJECT
 2. HEIGHTS NOTED ON INTERIOR ELEVATIONS SHALL GOVERN OVER THOSE SHOWN HERE.
 SCD = SEAT COVER DISPENSER TPD = TOILET PAPER DISPENSER
 PTD = PAPER TOWEL DISPENSER SND = SANITARY NAPKIN DISPOSAL (WHERE APPLICABLE)
 SD = SOAP DISPENSER (ALL TOILET ACCESSORIES ARE N.J.C.)
 THIS DIAGRAM ILLUSTRATES THE SPECIFIC REQUIREMENTS OF THESE REGULATIONS AND IS INTENDED ONLY AS AN AID FOR BUILDING AND CONSTRUCTION



REVISIONS	
NO	DESCRIPTION

DATE: 2/24/09
 SCALE: NOTED
 DRAWN BY: DM
 SERIAL NO.:

CUSTOMER:
 12'X40' RELOCATABLE BUILDING
 ACCESSIBLE DETAILS



APPROVALS:
 IDENTIFICATION STAMP
 DIV. OF THE STATE ARCHITECT
 No. C12831
 Ren. 5.3.07
 DATE: 4/1/09

IDENTIFICATION STAMP
 OFFICE OF REGULATION SERVICES
 PC 02-109808
 DATE: 4/1/09
 PROJECT No. AD

THESE DRAWINGS AND SPECIFICATIONS ARE THE PROPERTY OF AMERICAN MODULAR SYSTEMS, INC. AND ARE NOT TO BE REPRODUCED, CHANGED OR COPIED IN ANY FORM OR MANNER, NOR ARE THEY TO BE ASSIGNED TO ANY THIRD PARTY WITHOUT THE WRITTEN AUTHORIZATION OF AMERICAN MODULAR SYSTEMS, INC.