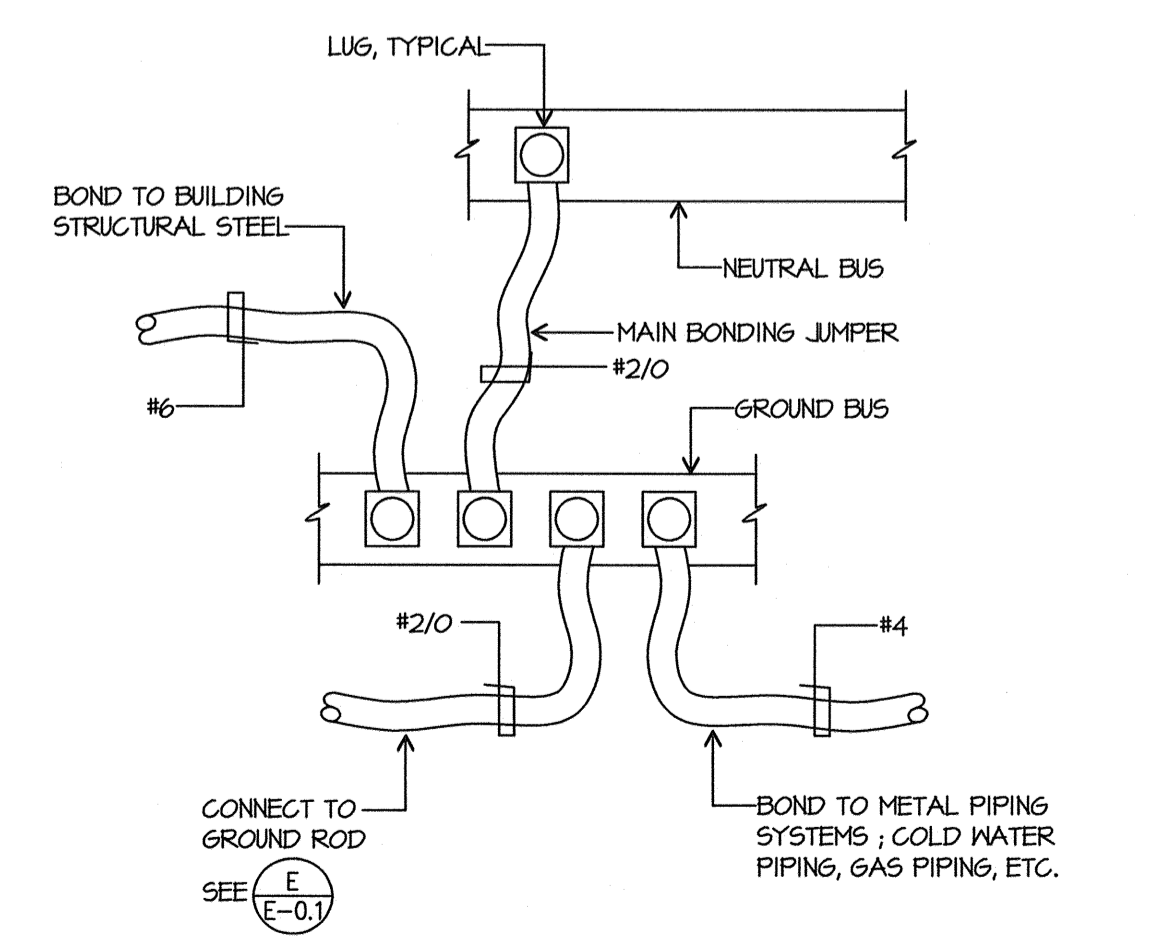


GROUNDING DETAIL NOTES

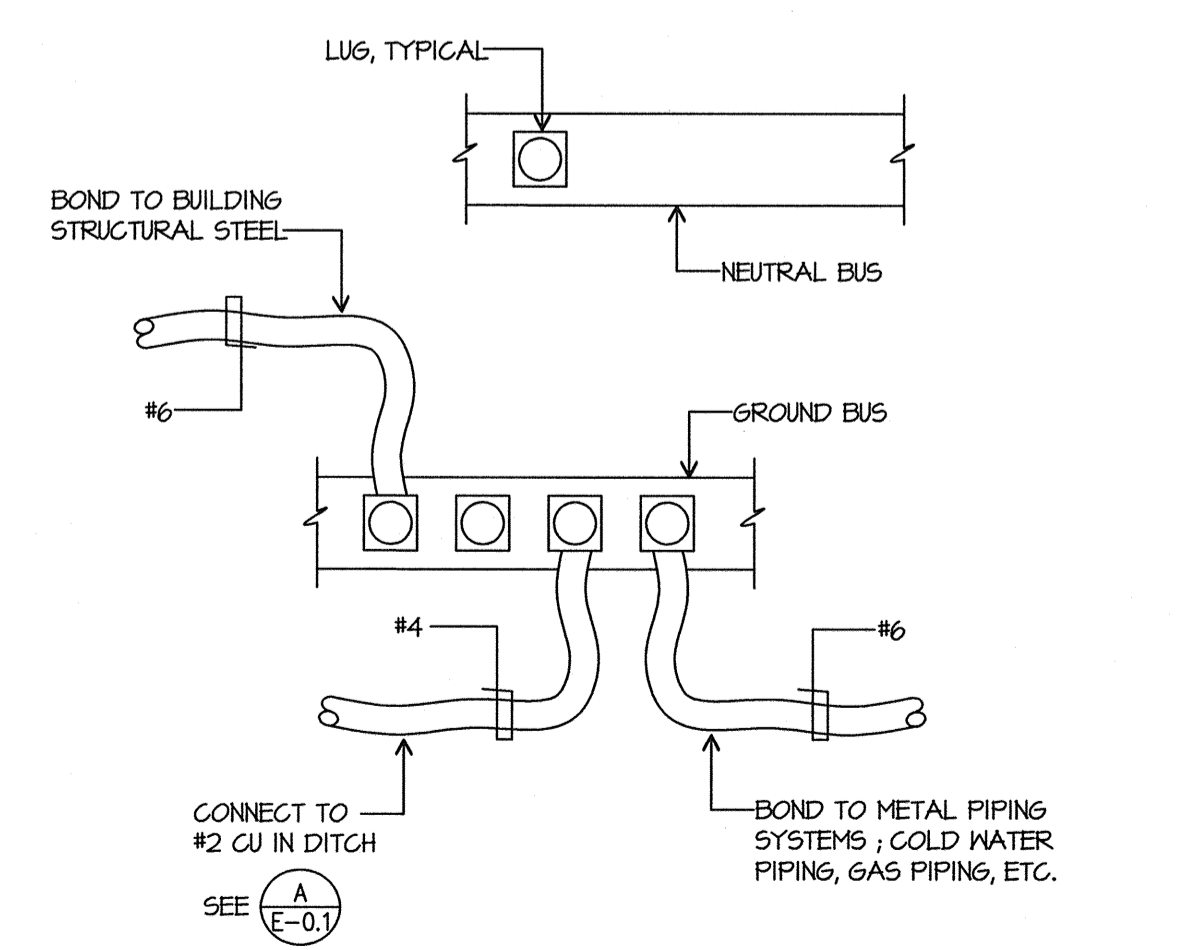
1 COORDINATE LOCATIONS OF WORK SHOWN WITH CIVIL DRAWINGS.

GROUNDING DETAIL

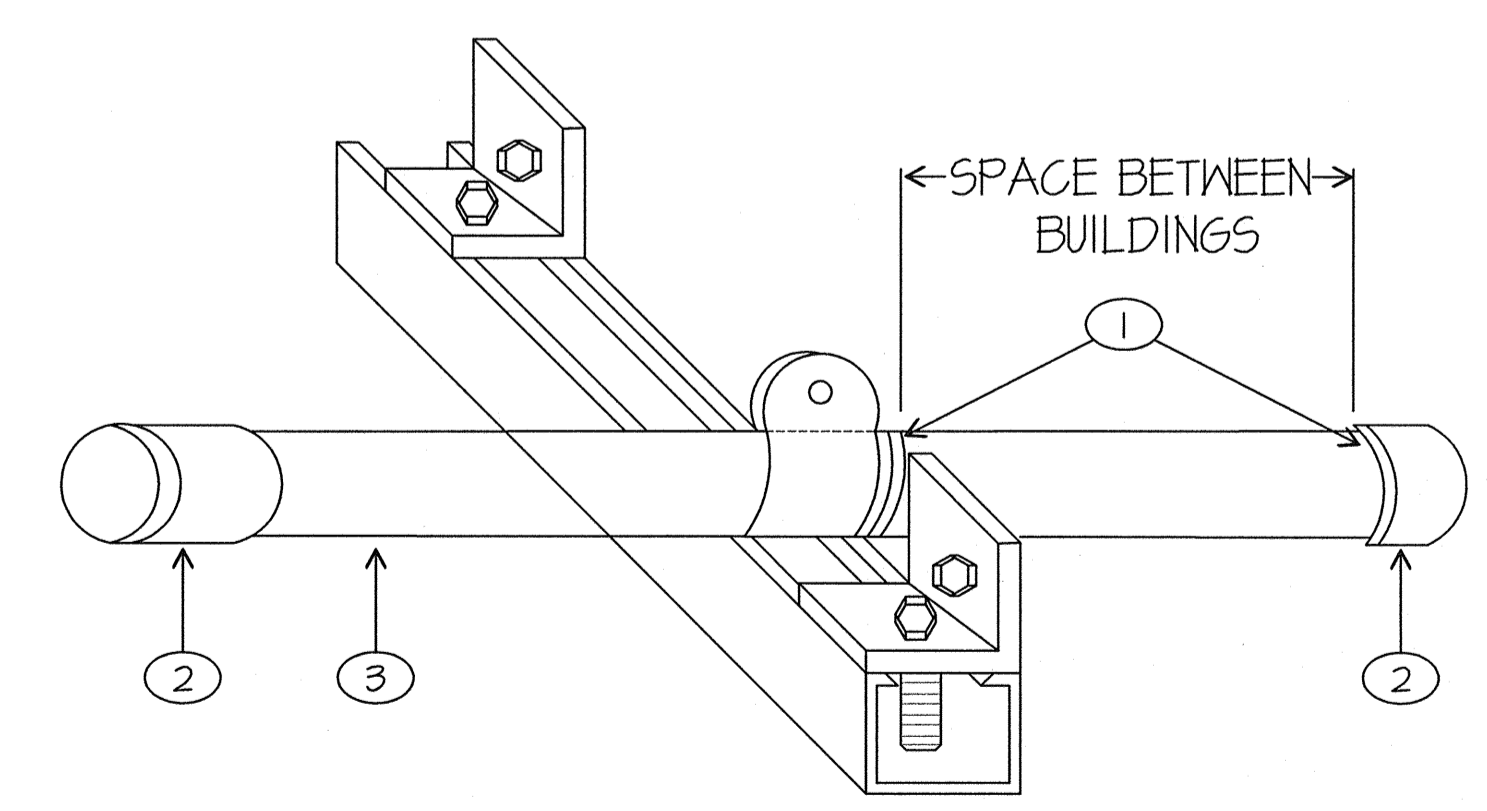
SCALE: 1/8"=1'-0"



BONDING DIAGRAM "MSB"
SCALE: NONE

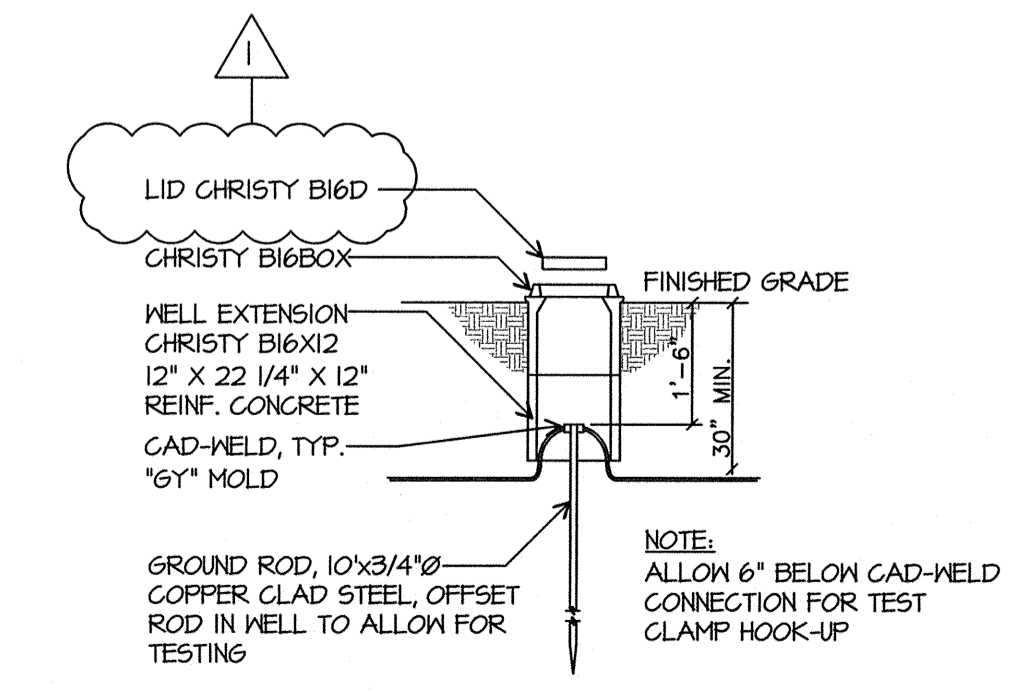


BONDING DIAGRAM PORTABLE PANEL
SCALE: NONE

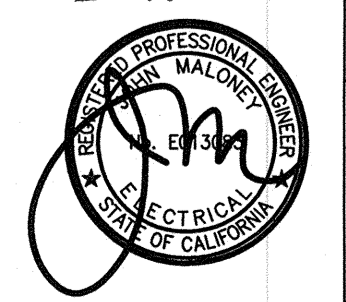
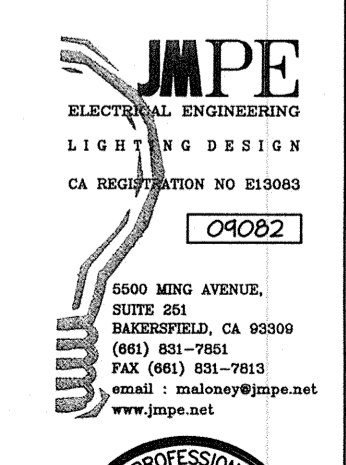


CONDUIT SLEEVE SUPPORT
WALL MOUNTED UNISTRUT BRACKETS
FOR ONE OR MORE CONDUITS
SCALE: NONE

1 FOAM FILL AND FIRE CAULK THE WALLS AFTER CONDUITS ARE INSTALLED.
2 INSULATED THROAT SET SCREW CONNECTOR
3 USE OF EMT IS ACCEPTABLE FOR SLEEVE INSTALLATION.



GROUND ACCESS BOX



Ownership of Documents
This document, the ideas and designs incorporated herein, as an instrument of Professional Service is the property of Integrated Designs by SOMAM, Inc. and is not to be used, in whole or in part for any other project without written authorization. © COPYRIGHT 2009

integrated designs by SOMAM, Inc.
ARCHITECTURE • ENGINEERING • INTERIOR DESIGN • CONSTRUCTION MANAGEMENT
6011 N. Fresno, Suite 130 - Fresno, California 93710
Phone (559) 436-0881 Fax (559) 436-0887 E-Mail: design@somam.com
www.integrateddesigns.com

Revision	Rev. Date	Rev. Description
1	10/15/09	ADDED JUM 1
2	01/22/10	CHANGE ORDER

Issue Date: 05/02/06
Date: 05/02/06
Designer: DR. DRAFTER FC: C.J.M.

Sheet Title: **SINGLE LINE DIAGRAM, SYMBOLS, DETAILS, GENERAL NOTES**
Project Name & Address: **MUNSEY ELEMENTARY SCHOOLS**
BAKERSFIELD CITY SCHOOL DISTRICT
3801 BRAVE AVE. BAKERSFIELD, CA 93309

Job No.: **3832**
Sheet No.: **X4-E-0.1**

Release: CURTIS MCNALLY