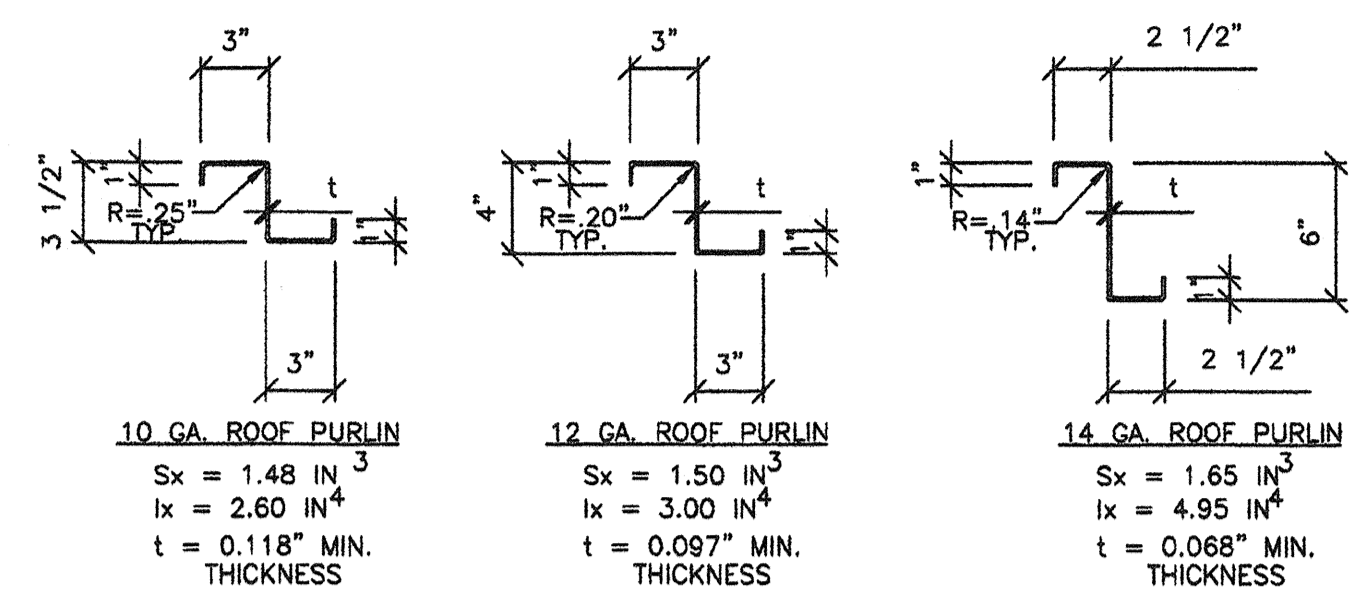
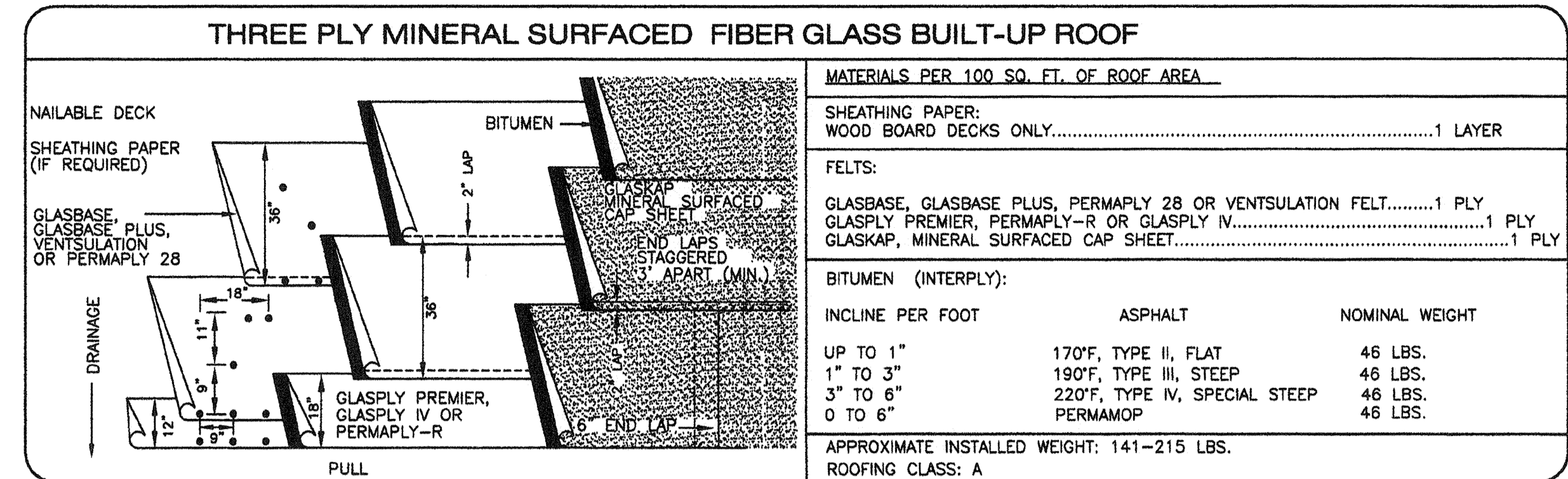


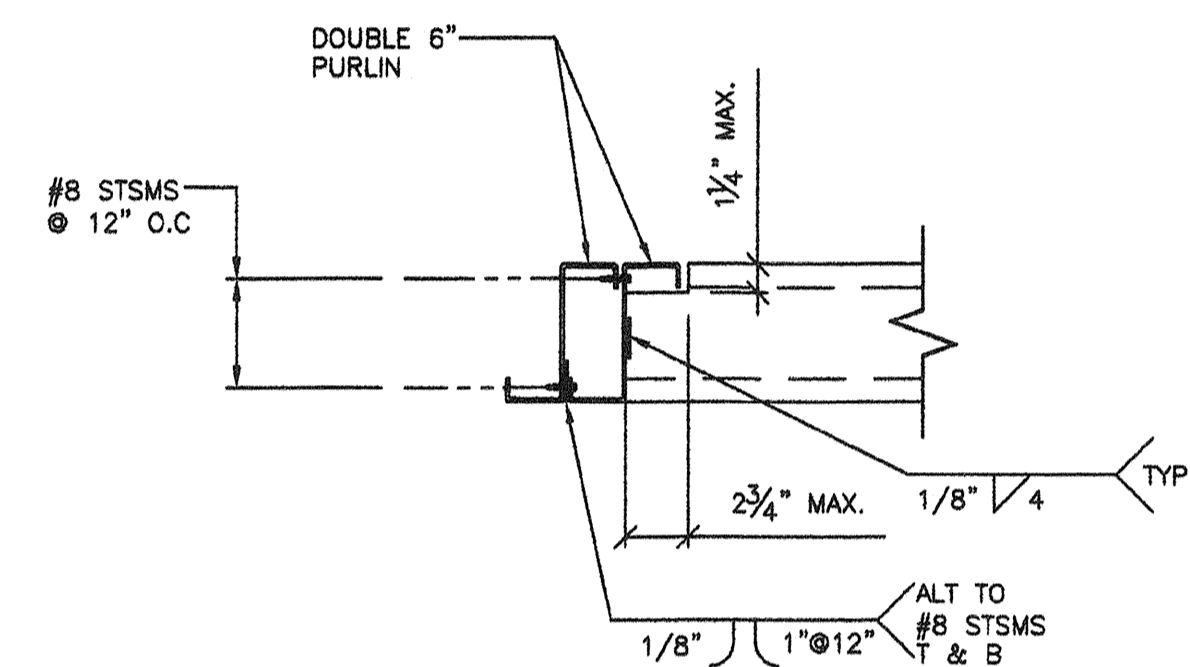
6 ROOF BEAM CONNECTION DETAIL
S3.1 1 1/2"=1'-0"



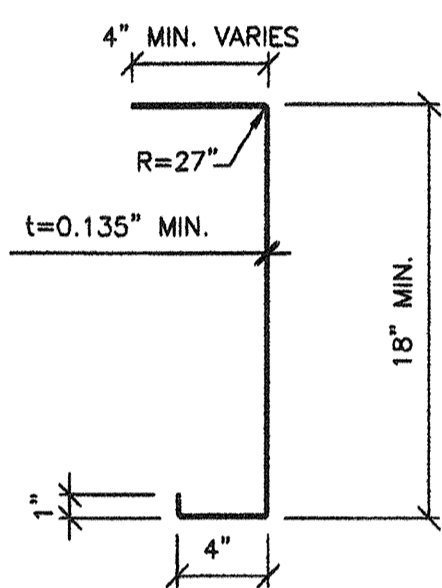
9 Z PURLINS DETAILS AND PROPERTIES
S3.1 1 1/2"=1'-0"



12 THREE PLY MINERAL BUILT-UP ROOF
S3.1 1 1/2"=1'-0"



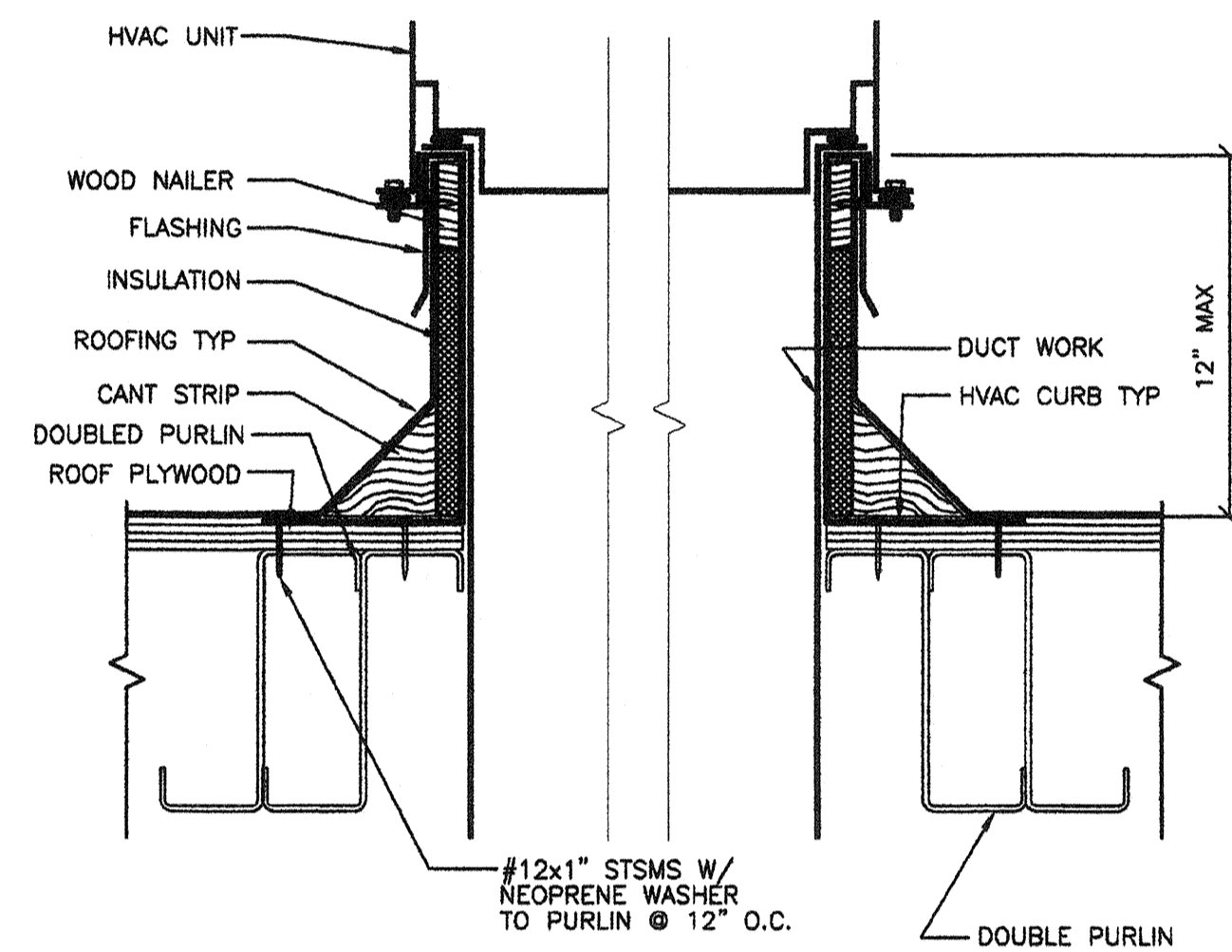
7 BLOCKING DETAIL
S3.1 1 1/2"=1'-0"



A	3.71 IN ²
Sx MIN.	17.32 IN ³
Ix MIN.	159.80 IN ⁴

BEAM FABRICATED FROM ASTM A1011 GR50 W/RUST INHIBITIVE COATING.

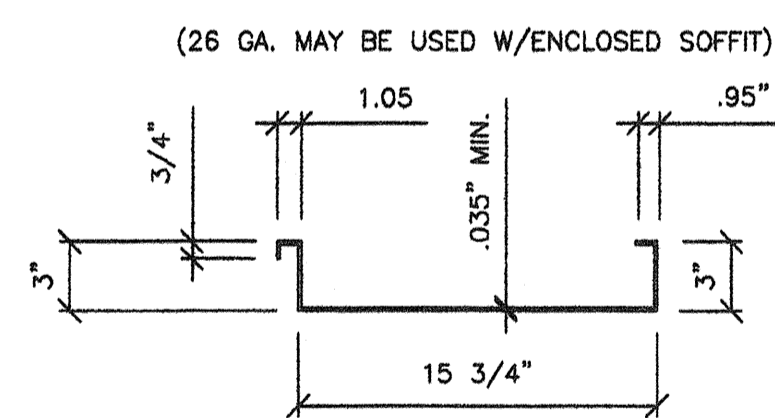
10 LONGITUDINAL ROOF BEAM
S3.1 1 1/2"=1'-0"



12 HVAC CURB DETAIL ANCHORAGE
S3.1 3"=1'-0"

- GENERAL NOTES -

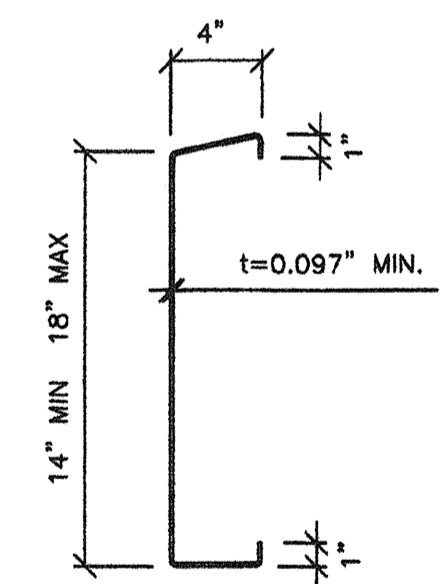
1. THE MATERIAL THICKNESS OF STRUCTURAL MEMBER, IN THEIR END-USE, SHALL MEET OR EXCEED THE MINIMUM BASE METAL THICKNESS SPECIFIED IN THE TABLE OR IN THE PLAN. THE MATERIAL GAGE DESIGNATION IN THE PLAN SHALL BE USED AS REFERENCE ONLY.



Sx(t) = 0.326 IN ³	Sx(b) = 0.323 IN ³
Sx(b) = 1.365 IN ³	Sx(b) = 0.283 IN ³
Ix = 0.789 IN ⁴	Ix = 0.452 IN ⁴

PAN FABRICATED FROM ASTM A1011 GRADE 50, HOT ROLLED SHEETS. PAN TO BE GIVEN A RUST INHIBITIVE COATING.

8 20 GA. ROOF PAN
S3.1 1 1/2"=1'-0"



	14"	18"
A	2.36 IN ²	2.76 IN ²
Sx MIN.	9.58 IN ³	13.60 IN ³
Ix MIN.	67.016 IN ⁴	122.44 IN ⁴

BEAM FABRICATED FROM ASTM A1011 GR50 W/RUST INHIBITIVE COATING.

11 12 GA. ROOF CHANNEL
S3.1 1 1/2"=1'-0"

REVISIONS		
NO	DATE	DESCRIPTION

DATE: 02/12/06
SCALE: NOTED
DRAWN BY: DM
SERIAL NO.:

CUSTOMER:
2:12 PITCHED ROOF 24' x 40' THRU 120' x 40' RELOCATABLE BUILDINGS ROOF FRAMING PLANS (OPEN SOFFIT)

AMS
American Modular Systems Inc.
787 Spreckels Ave, Manteca, CA 95336
(209)925-1921 Fax: (209)925-7018
amer@ammodular.com

APPROVALS:
THESE DRAWINGS ARE PRELIMINARY AND NOT FOR CONSTRUCTION UNLESS STAMPED & SIGNED BY THE ENGINEER OF RECORD.

Kenneth A. Luttrell
No. 0418
Exp. 3-31-08
Structural Engineer
STATE OF CALIFORNIA

REGISTERED ARCHITECT
No. C12631
Ren. 3.21.04
STATE OF CALIFORNIA

IDENTIFICATION STAMP
DIV. OF THE STATE ARCHITECT
OFFICE OF REGULATION SERVICES
02-112985
AC FLS SS
DATE SEP 24 2009

IDENTIFICATION STAMP
DIV. OF THE STATE ARCHITECT
OFFICE OF REGULATION SERVICES
PC 02-109695
AC FLS SS
DATE 3/23/2009

PROJECT No.
PC
S3.1

THESE DRAWINGS AND SPECIFICATIONS ARE THE PROPERTY OF AMERICAN MODULAR SYSTEMS AND ARE NOT TO BE REPRODUCED, CHANGED OR COPIED IN ANY FORM OR MANNER, NOR ARE THEY TO BE ASSIGNED TO ANY THIRD PARTY WITHOUT THE WRITTEN AUTHORIZATION OF AMERICAN MODULAR SYSTEMS.