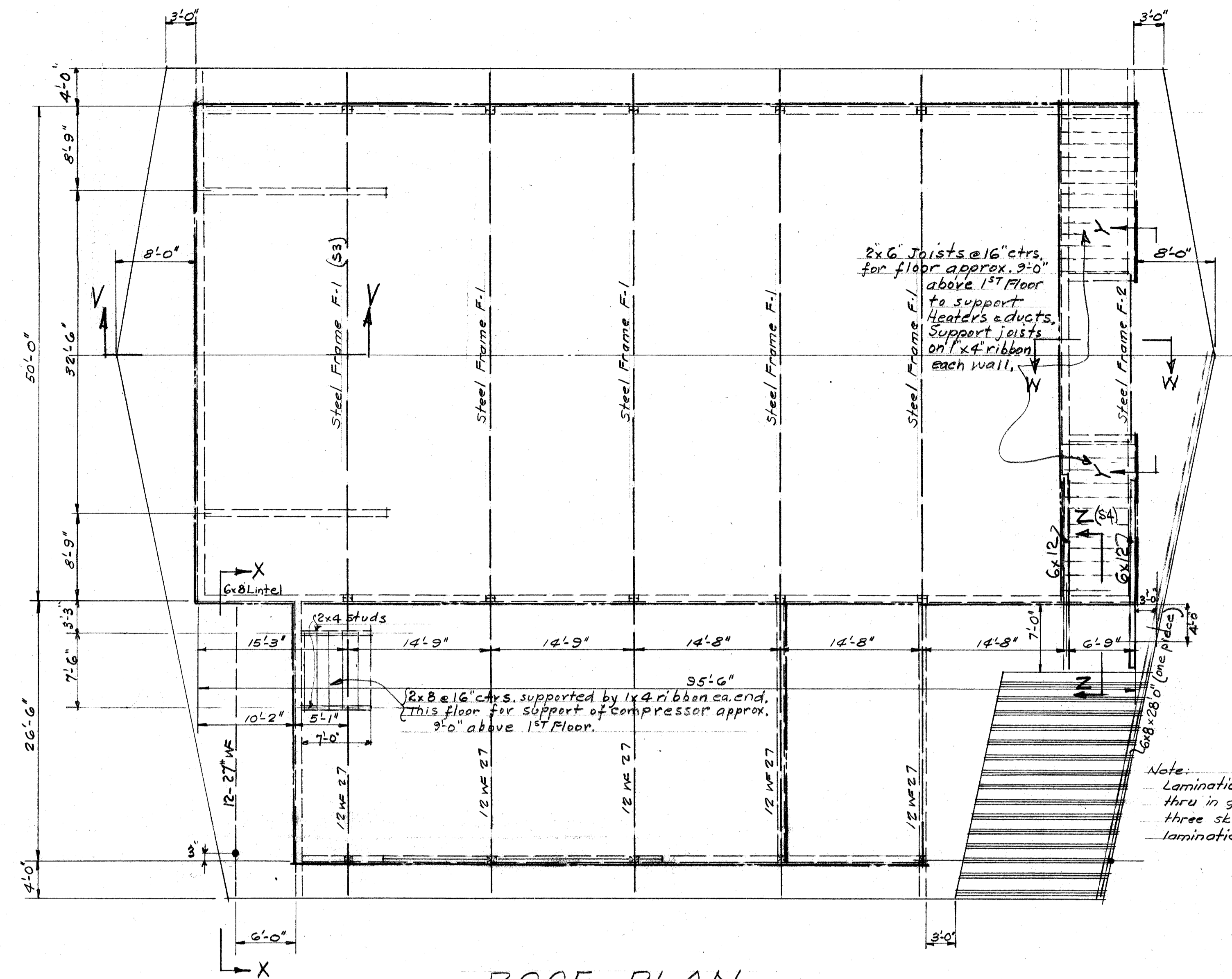
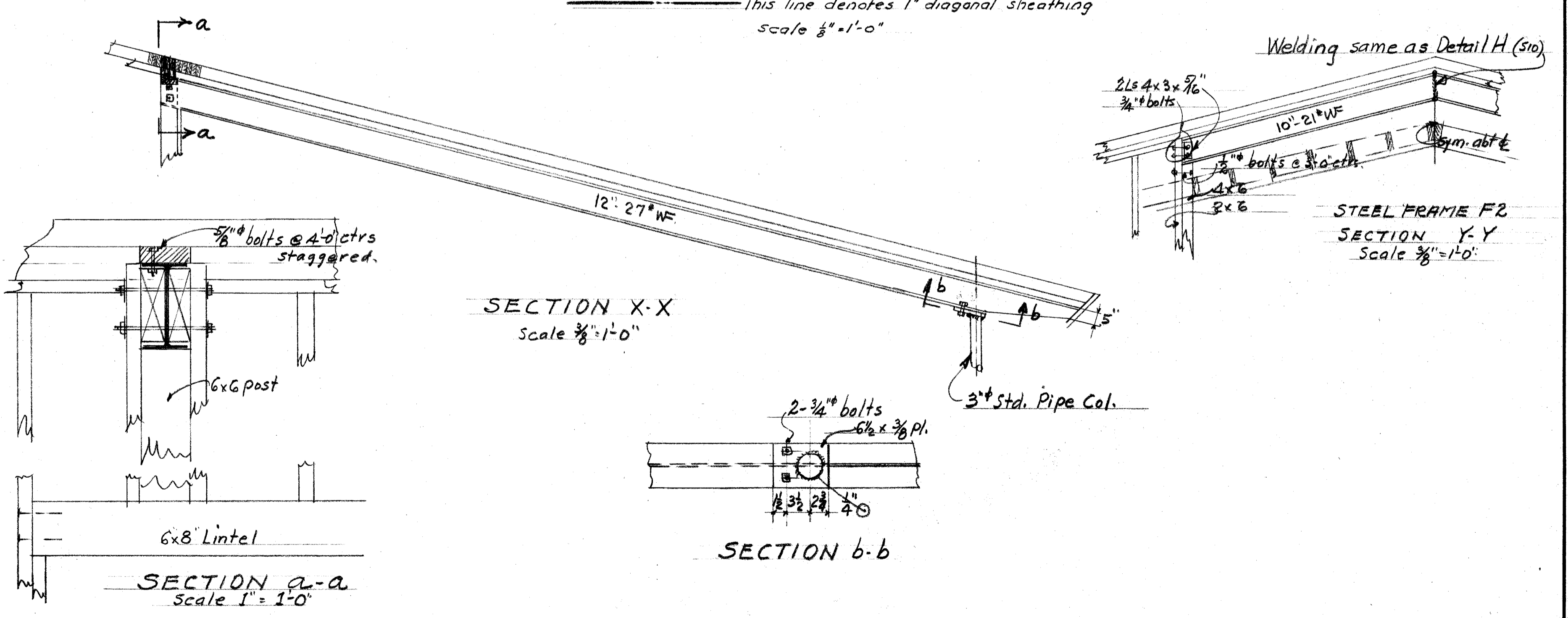
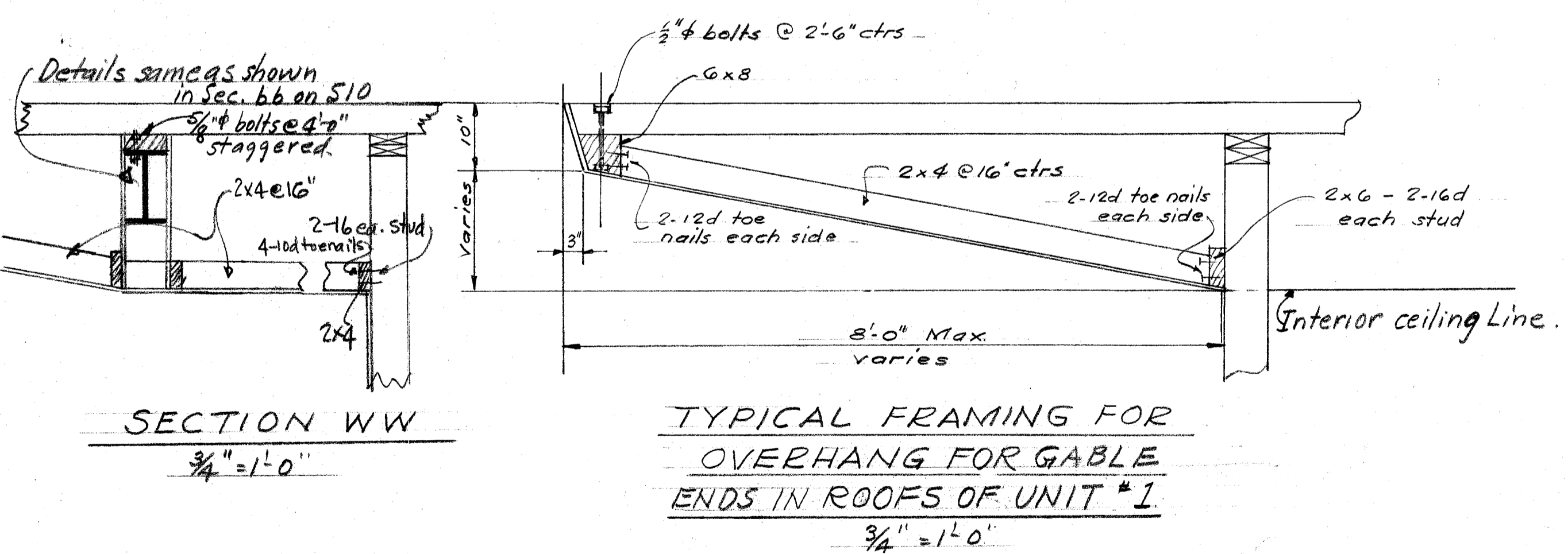


FOUNDATION PLAN
 scale $\frac{1}{8}'' = 1'-0''$ FOUNDATION DETAILS ON S1



ROOF PLAN
 This line denotes 1" diagonal sheathing
 scale $\frac{1}{8}'' = 1'-0''$



<p>STATE OF CALIFORNIA - DEPARTMENT OF PUBLIC WORKS DIVISION OF ARCHITECTURE 11305 APPROVED OCT - 7 1953 ARCHITECT: <i>Whitney Biggar</i> PER: <i>Harold B. Hammill</i> SEC. <i>Reginald C. Bellenger</i></p>	<p>BOARD OF EDUCATION APPROVED: PRES. <i>[Signature]</i> SEC. <i>[Signature]</i></p>	<p>PLANS & DETAILS UNIT 1 REAL ROAD SCHOOL</p>	<p>Harold B. Hammill HAROLD B. HAMMILL CONSULTING STRUCTURAL ENGINEER REG. 42 STRUCTURAL 131 SAN FRANCISCO, CALIFORNIA</p>	<p>Whitney Biggar WHITNEY BIGGAR ARCHITECT MEMBER AMERICAN INSTITUTE OF ARCHITECTS 3601 STOCKDALE HIGHWAY BAKERSFIELD, CALIFORNIA 29285 REGISTRATION C-1128</p>	<p>PROJECT NO: DRAWN BY: CHECKED BY: DATE: SHEET OF 56 S2</p>
--	---	--	--	--	---