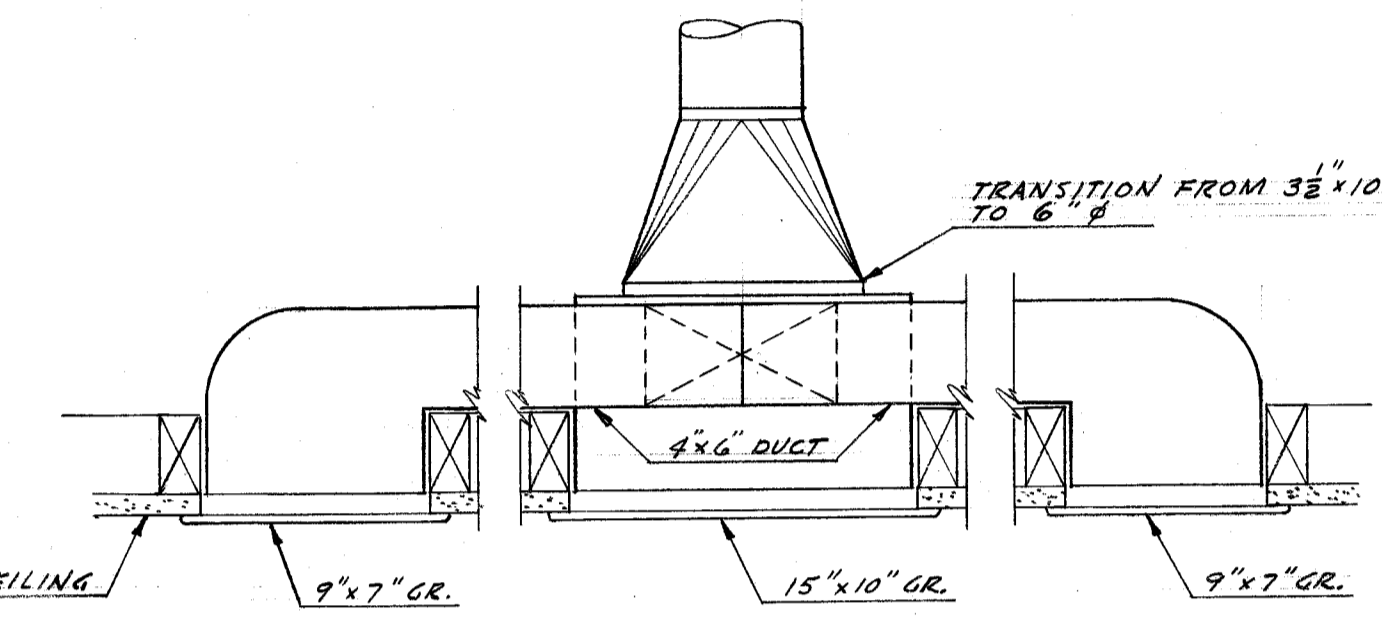
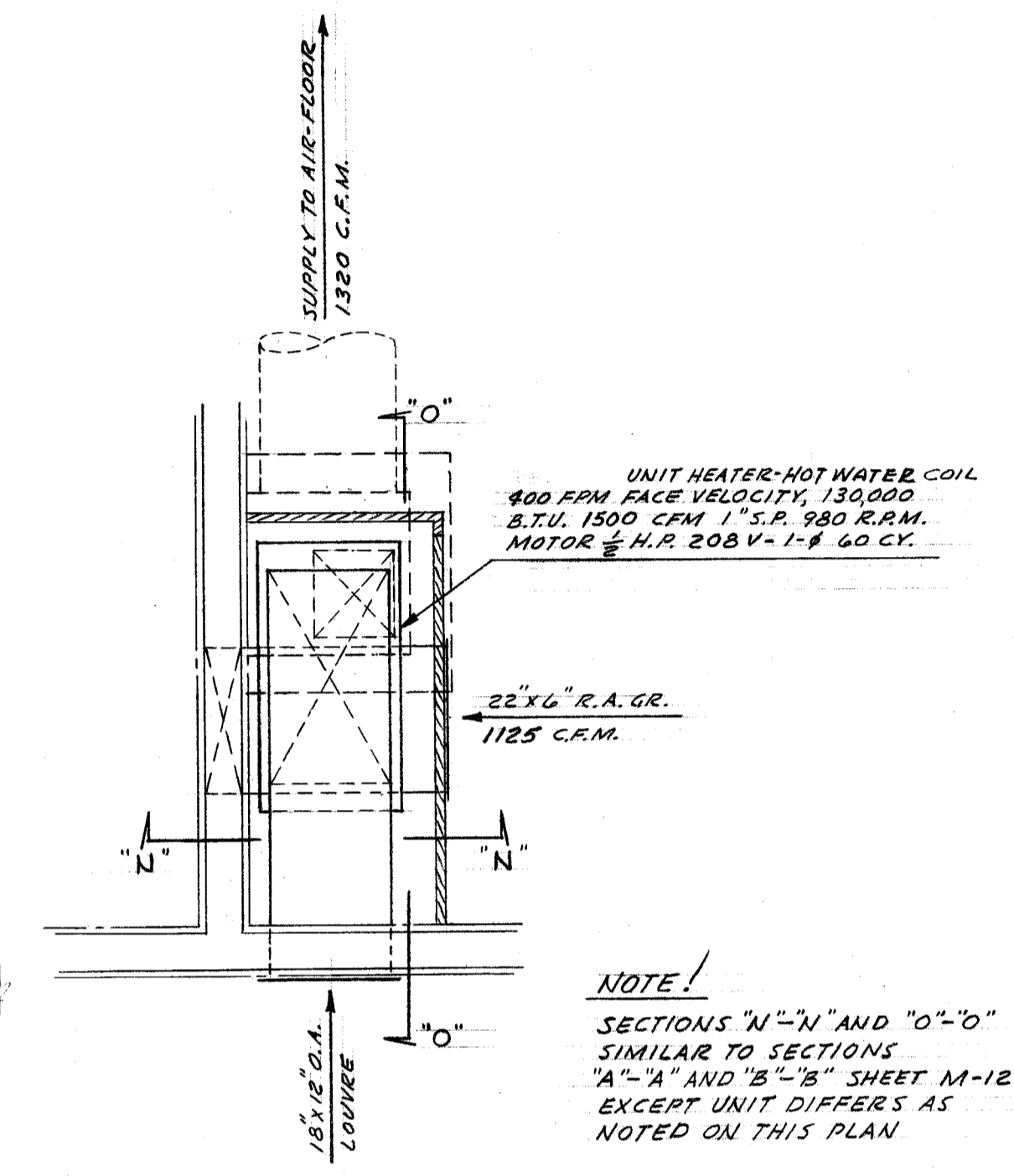


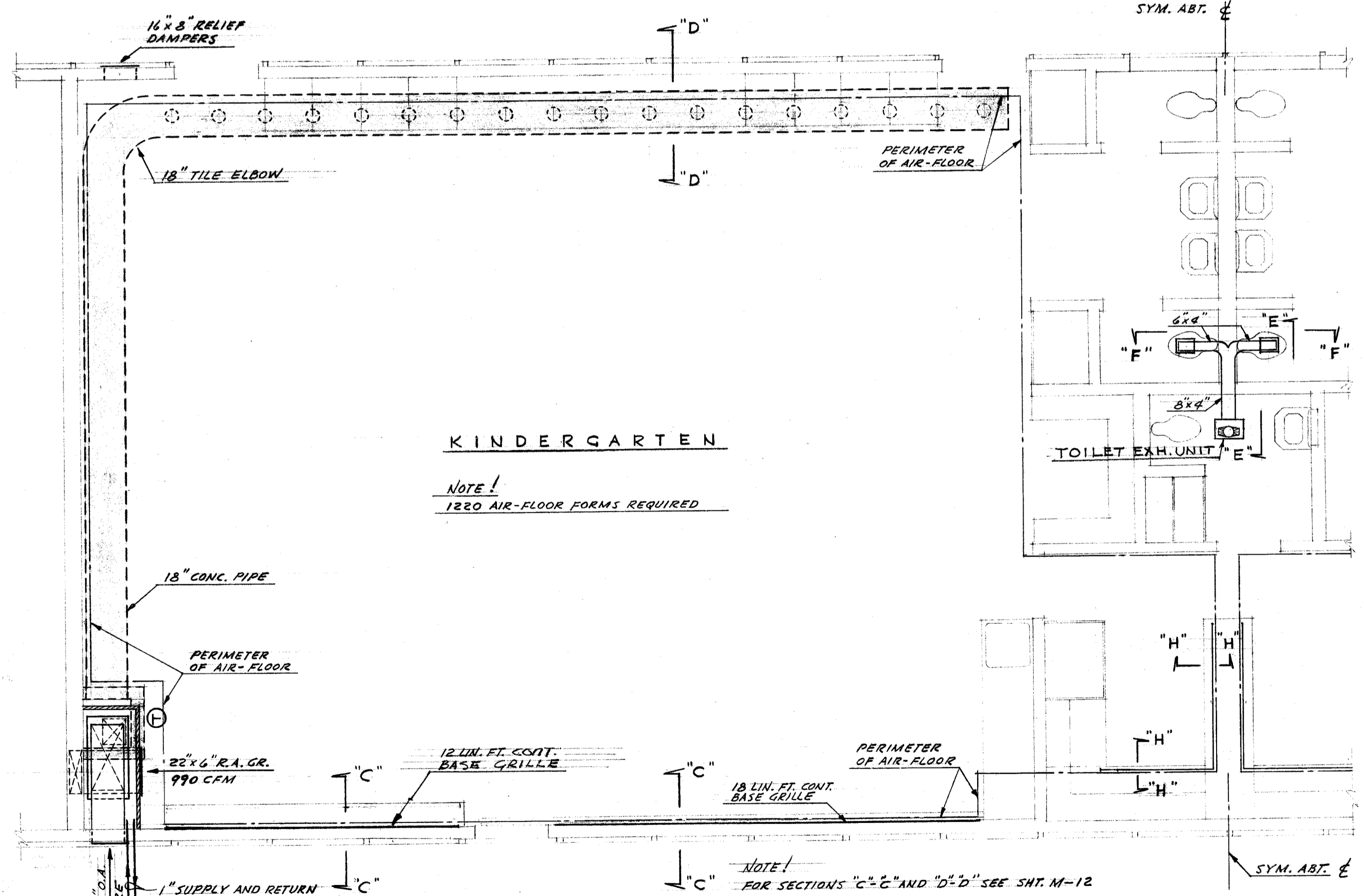
SECTION -E-E
SCALE 1/2" = 1'-0"



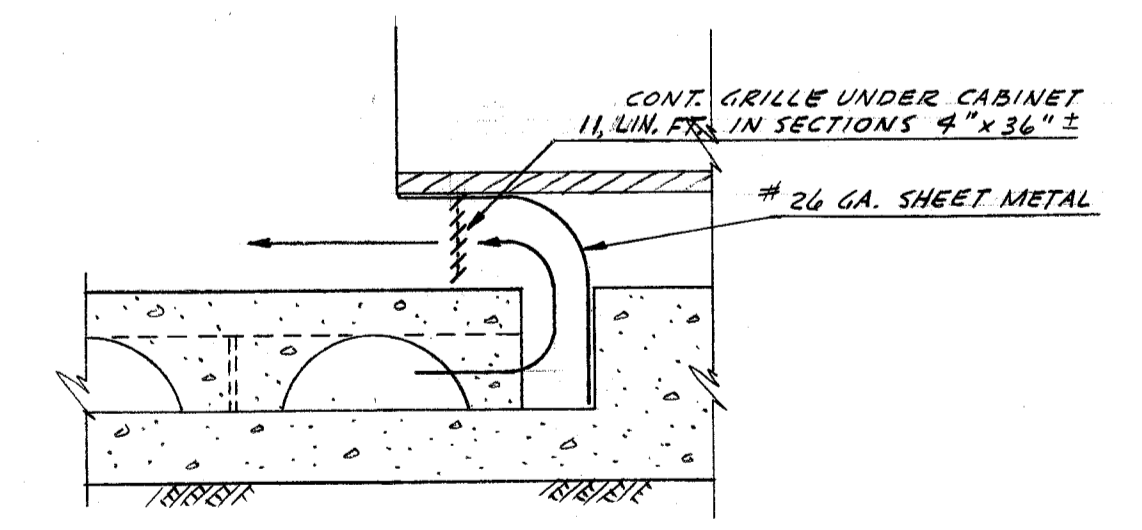
SECTION -F-F
SCALE 1/2" = 1'-0"



PLAN-HEATER UNIT
KINDERGARTEN
SCALE 1/2" = 1'-0"



TYPICAL PLAN KINDERGARTEN UNIT 2
SCALE 1/4" = 1'-0"



SECTION -H-H
SCALE 1/2" = 1'-0"

DIVISION OF ARCHITECTURE

STATE OF CALIFORNIA - DEPARTMENT OF PUBLIC WORKS
DIVISION OF ARCHITECTURE
11305 APPROVED OCT - 7 1953
C. W. Beck

H. A. Stains
W. A. STAINS
CONSULTING ENGINEER
1603 CALIFORNIA AVENUE
BAKERSFIELD, CALIFORNIA
MECHANICAL 5305 ELECTRICAL 4205

BOARD OF EDUCATION

J. H. Little PRES.
Virginia C. Bellinger SEC.

- HEATING & VENTILATING.
- FLOOR PLAN - KINDERGARTEN.
- UNIT TWO.
- REAL ROAD SCHOOL.
- BAKERSFIELD CALIFORNIA.

Whitney Biggar
WHITNEY BIGGAR ARCHITECT
MEMBER AMERICAN INSTITUTE OF ARCHITECTS
3601 STOCKDALE HIGHWAY
BAKERSFIELD, CALIFORNIA
29285 REGISTRATION C-1128

PROJECT NO: 6-53
DRAWN BY:
CHECKED BY:
DATE: 9/4/53
SHEET
M-11
OF 56