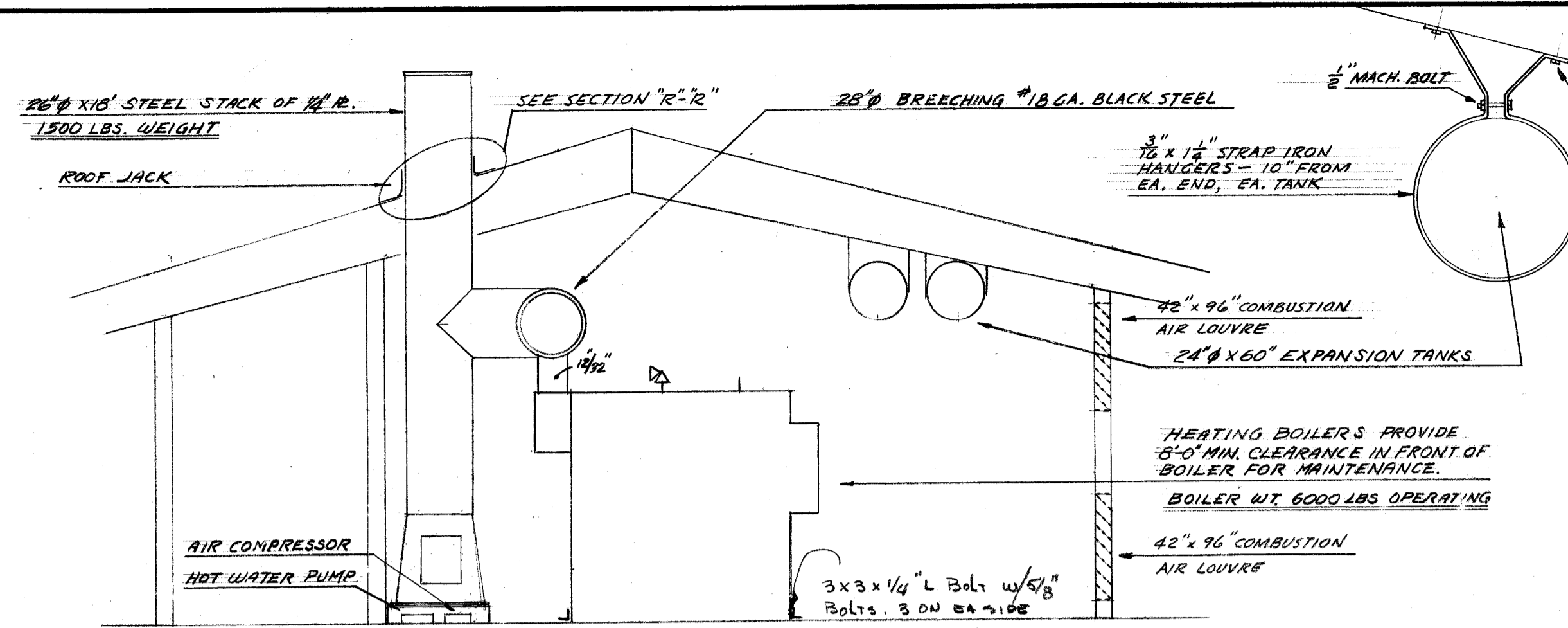
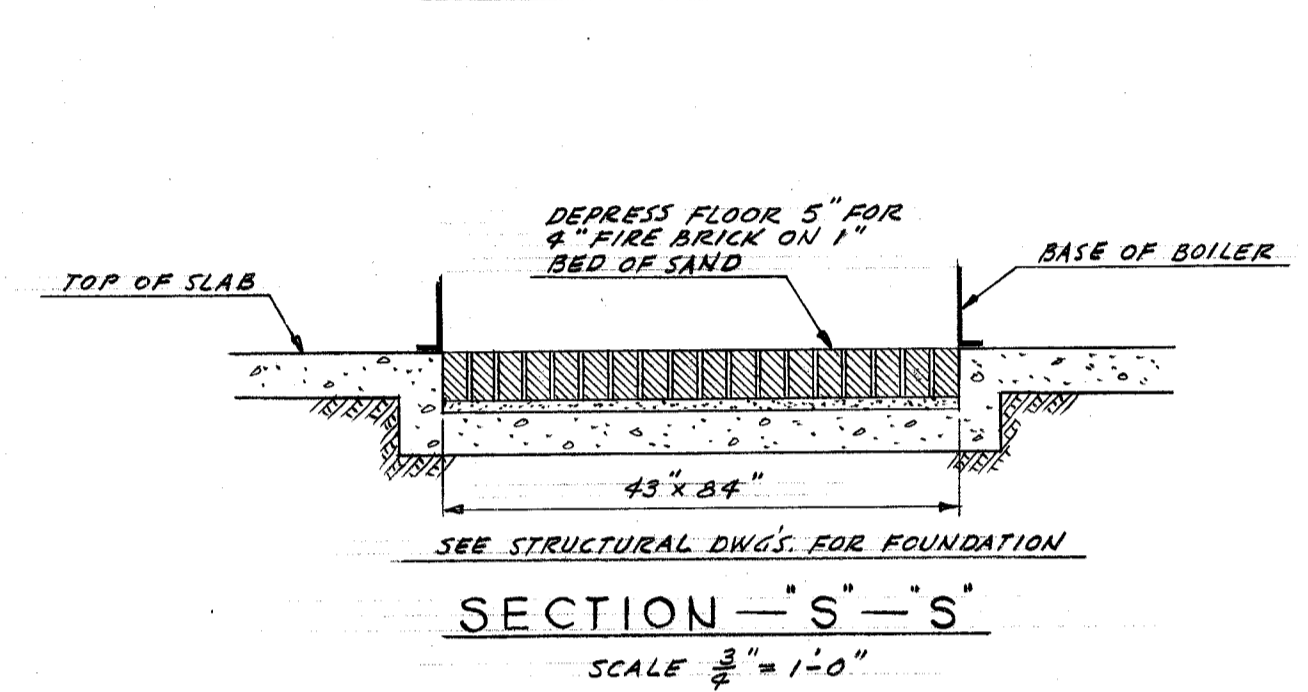


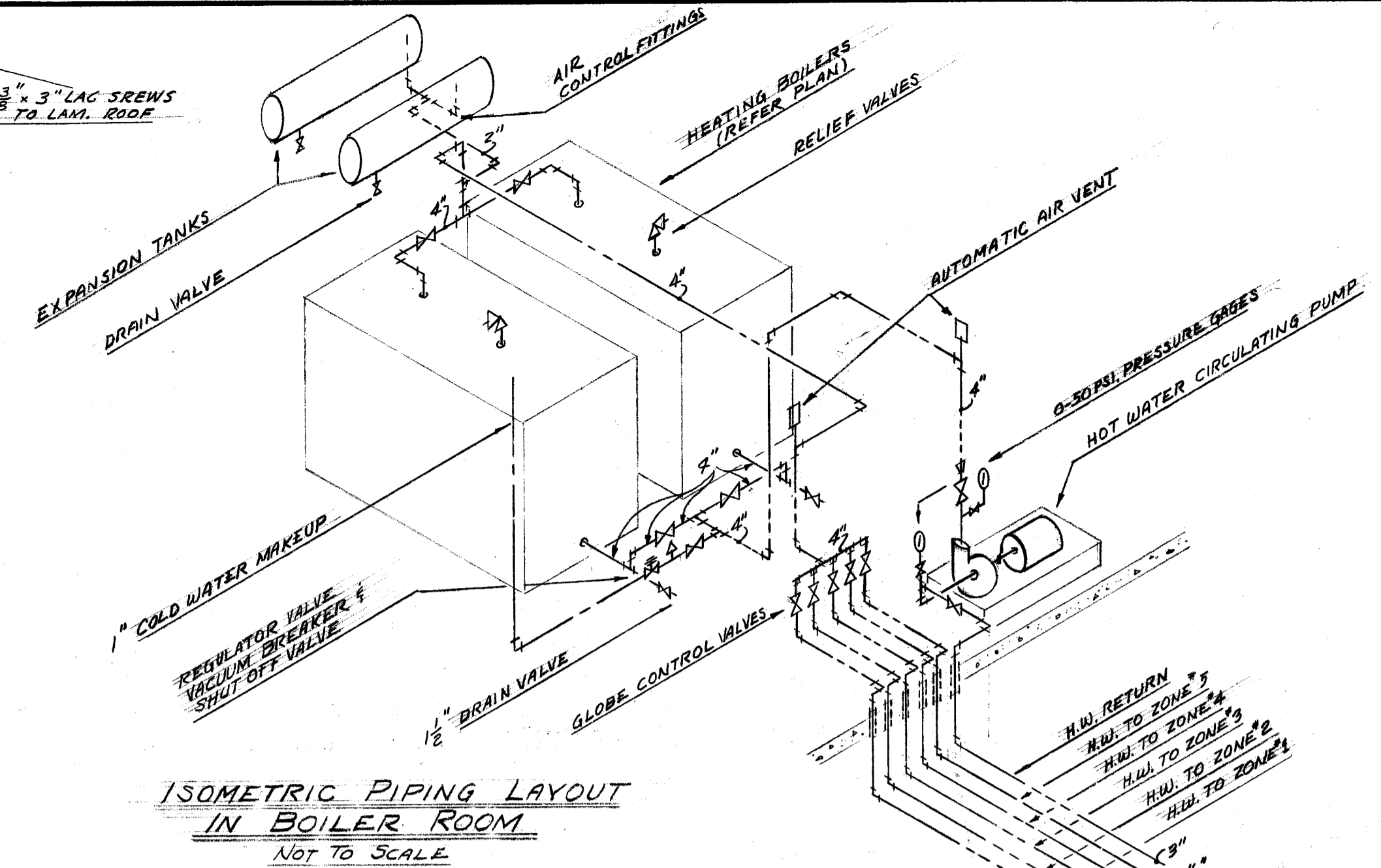
PLAN - BOILER ROOM UNIT 3
SCALE 1/4" = 1'-0"



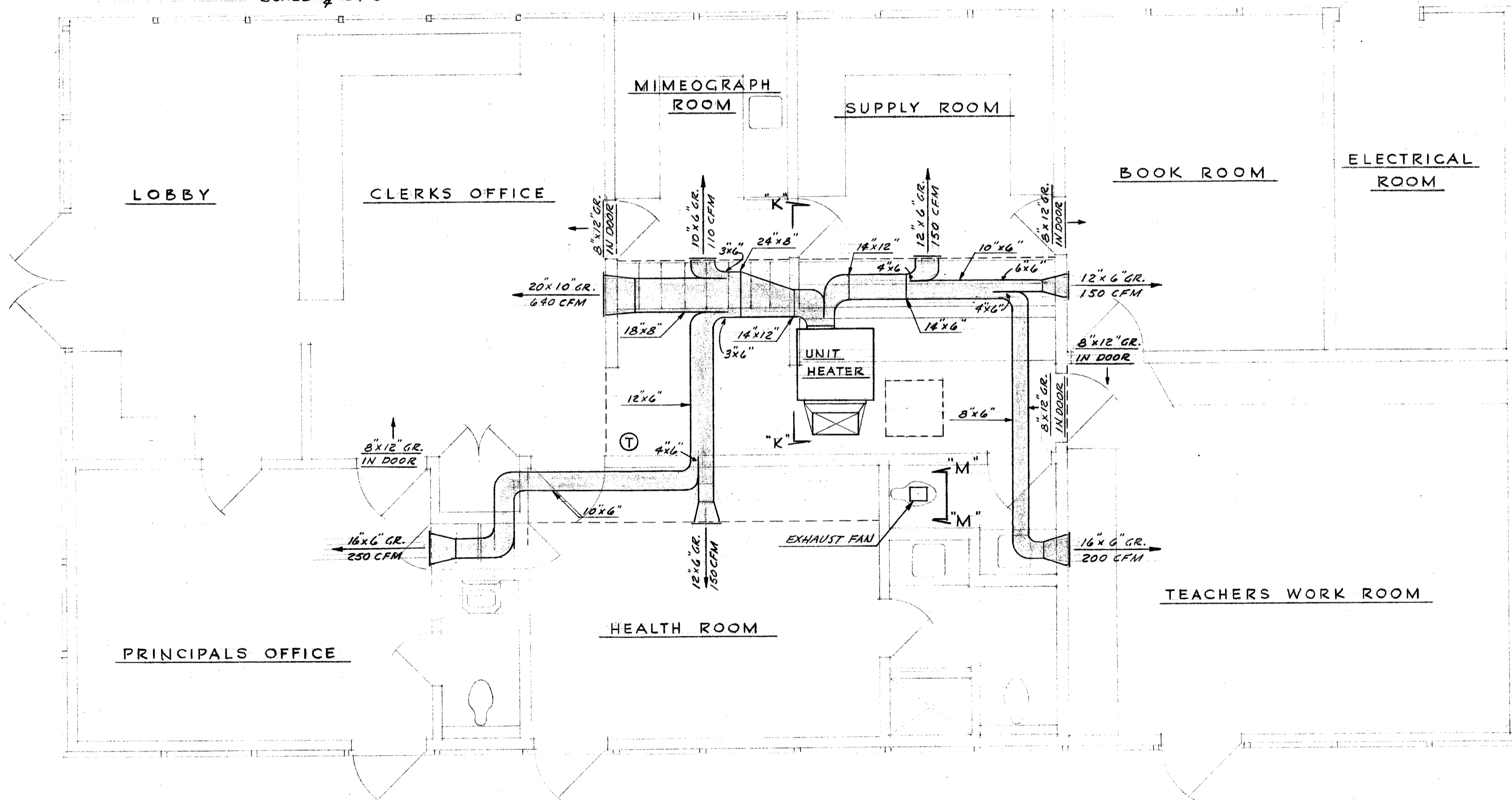
ELEVATION VIEW OF BOILER ROOM SECTION 1-1
SCALE 1/4" = 1'-0"



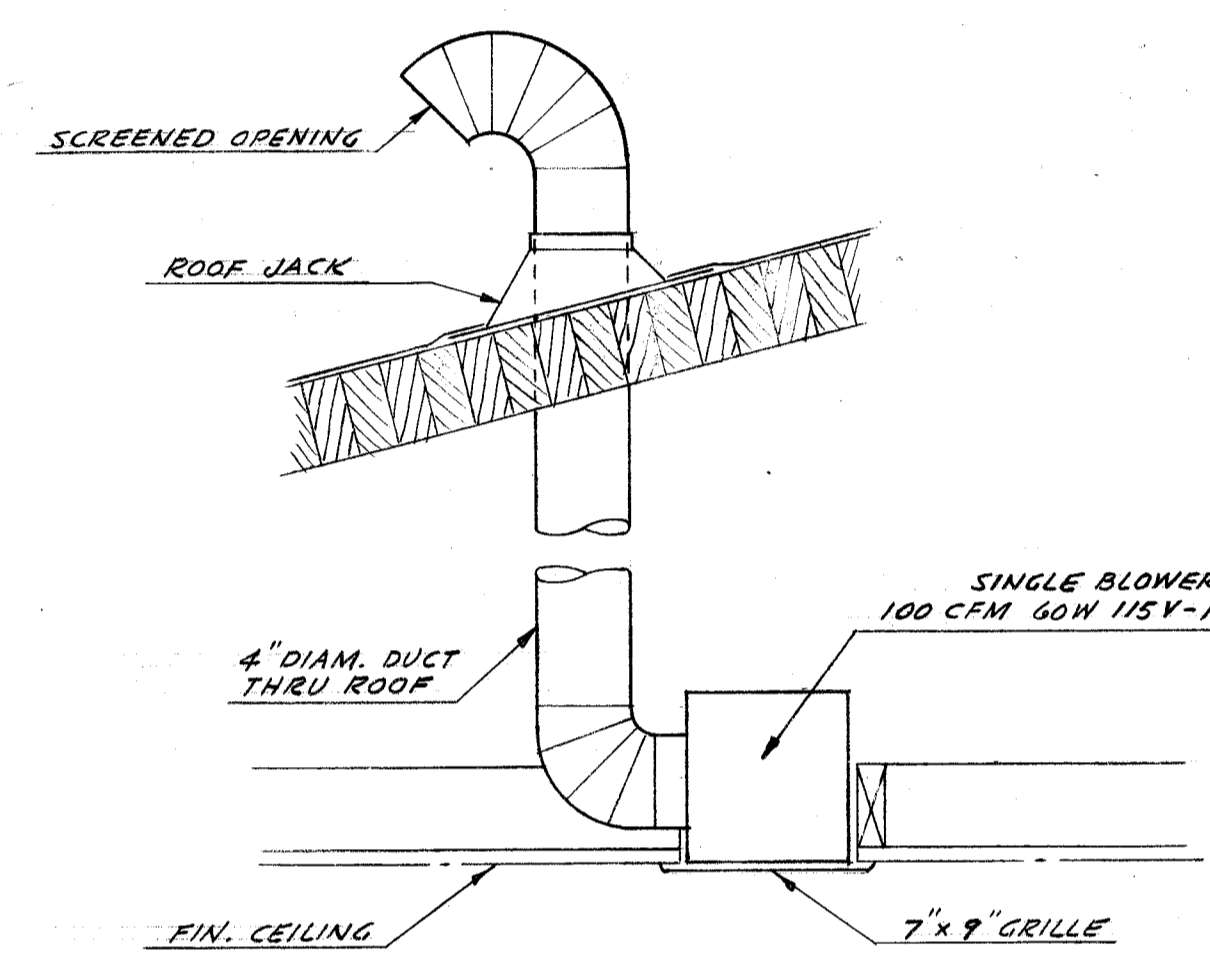
SECTION -S-S
SCALE 3/4" = 1'-0"



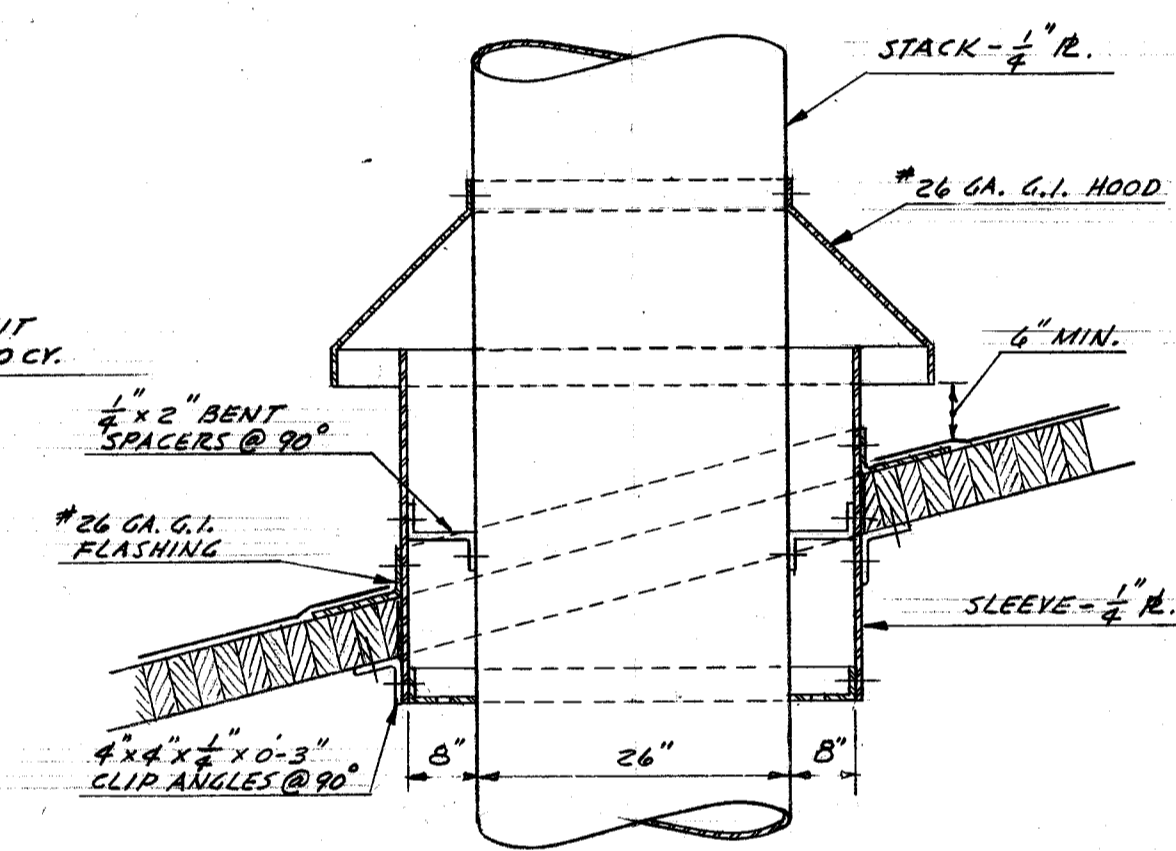
ISOMETRIC PIPING LAYOUT IN BOILER ROOM
NOT TO SCALE



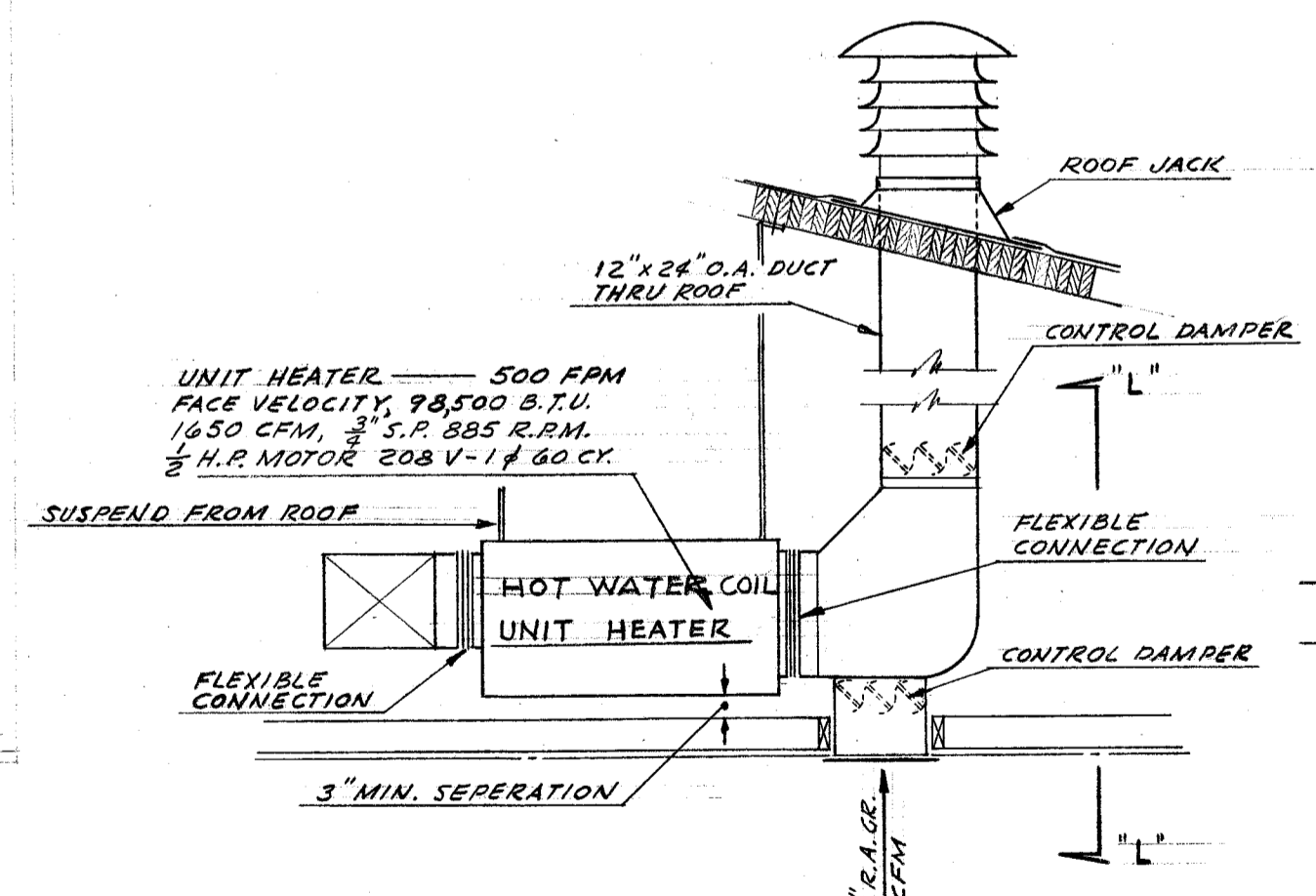
FLOOR PLAN - ADMINISTRATION AREA - UNIT 2
SCALE 1/4" = 1'-0"



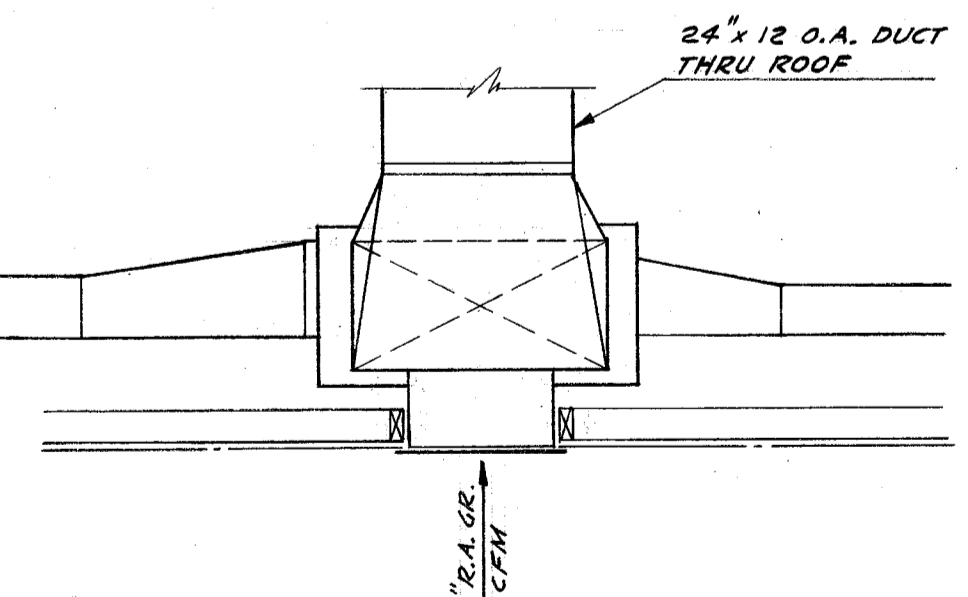
SECTION -M-M
SCALE 1/2" = 1'-0"



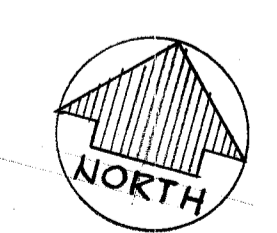
SECTION -R-R
SCALE 3/4" = 1'-0"



SECTION -K-K
SCALE 3/4" = 1'-0"



SECTION -L-L
SCALE 1/2" = 1'-0"



DIVISION OF ARCHITECTURE
STATE OF CALIFORNIA - DEPARTMENT OF PUBLIC WORKS
DIVISION OF ARCHITECTURE
11805 APPROVED OCT - 7 1953
C. W. NEEDLE
SEAL

W. A. STAINS
CONSULTING ENGINEER
1603 CALIFORNIA AVENUE
BAKERSFIELD, CALIFORNIA
MECHANICAL 5305 ELECTRICAL 4205

BOARD OF EDUCATION
PRES.
Virginia C. Ballinger
SEC.

HEATING & VENTILATING
FLOOR PLAN - ADMINISTRATION AREA
UNIT TWO
REAL ROAD SCHOOL
BAKERSFIELD CALIFORNIA

Whitney Biggar
WHITNEY BIGGAR ARCHITECT
MEMBER AMERICAN INSTITUTE OF ARCHITECTS
3601 STOCKDALE HIGHWAY
BAKERSFIELD, CALIFORNIA
29285 REGISTRATION C-1128

PROJECT NO. 6-53
DRAWN BY:
CHECKED BY:
DATE: 9/4/53
SHEET M-10
OF 56