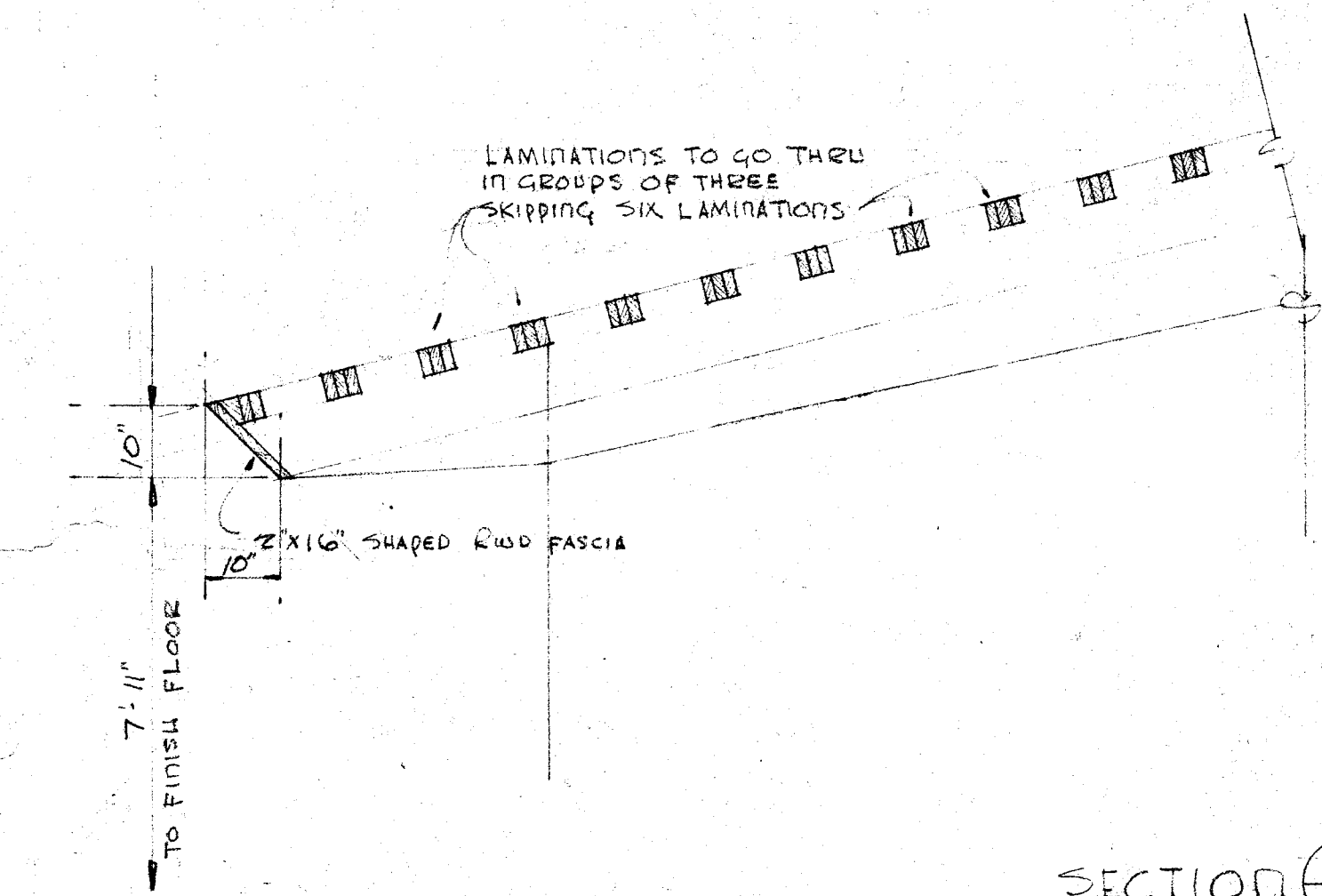
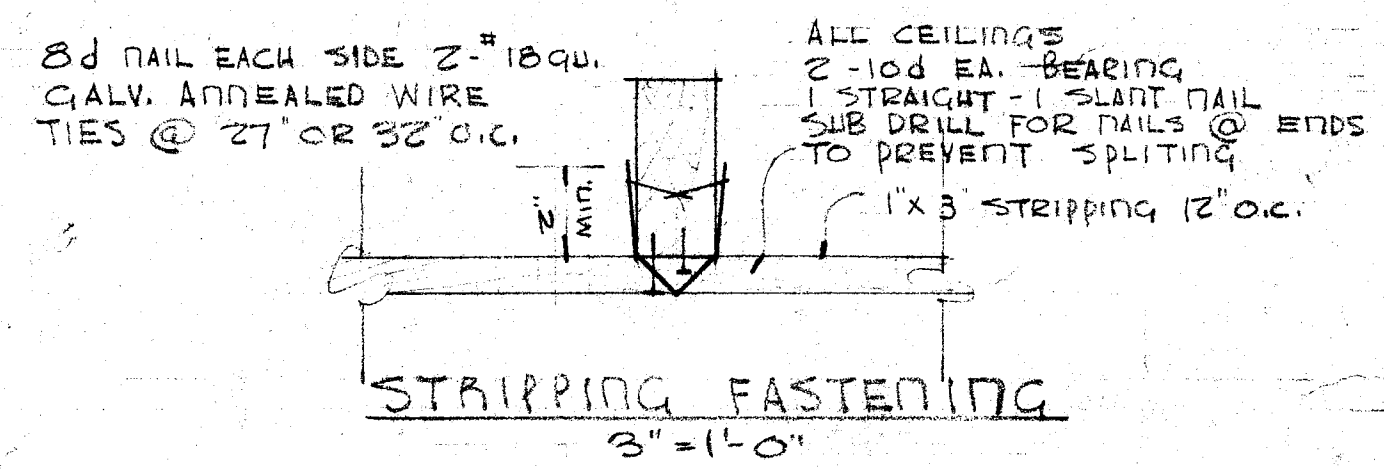
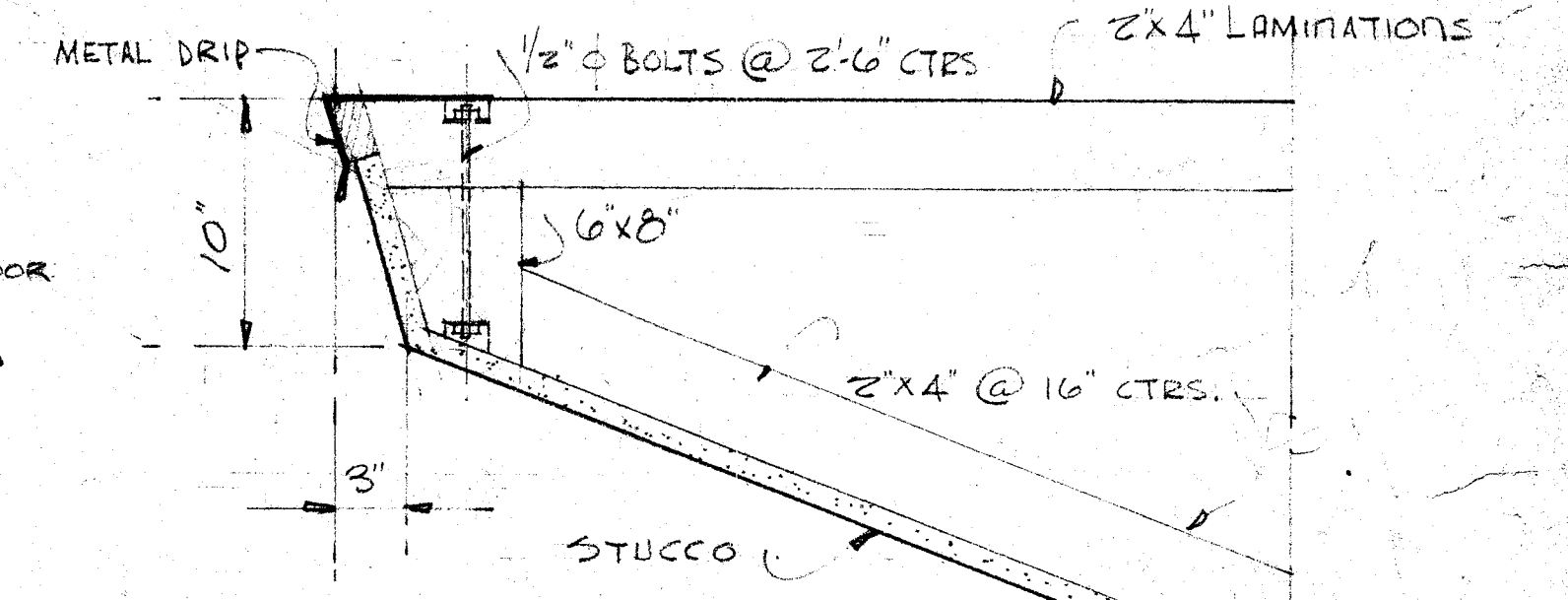
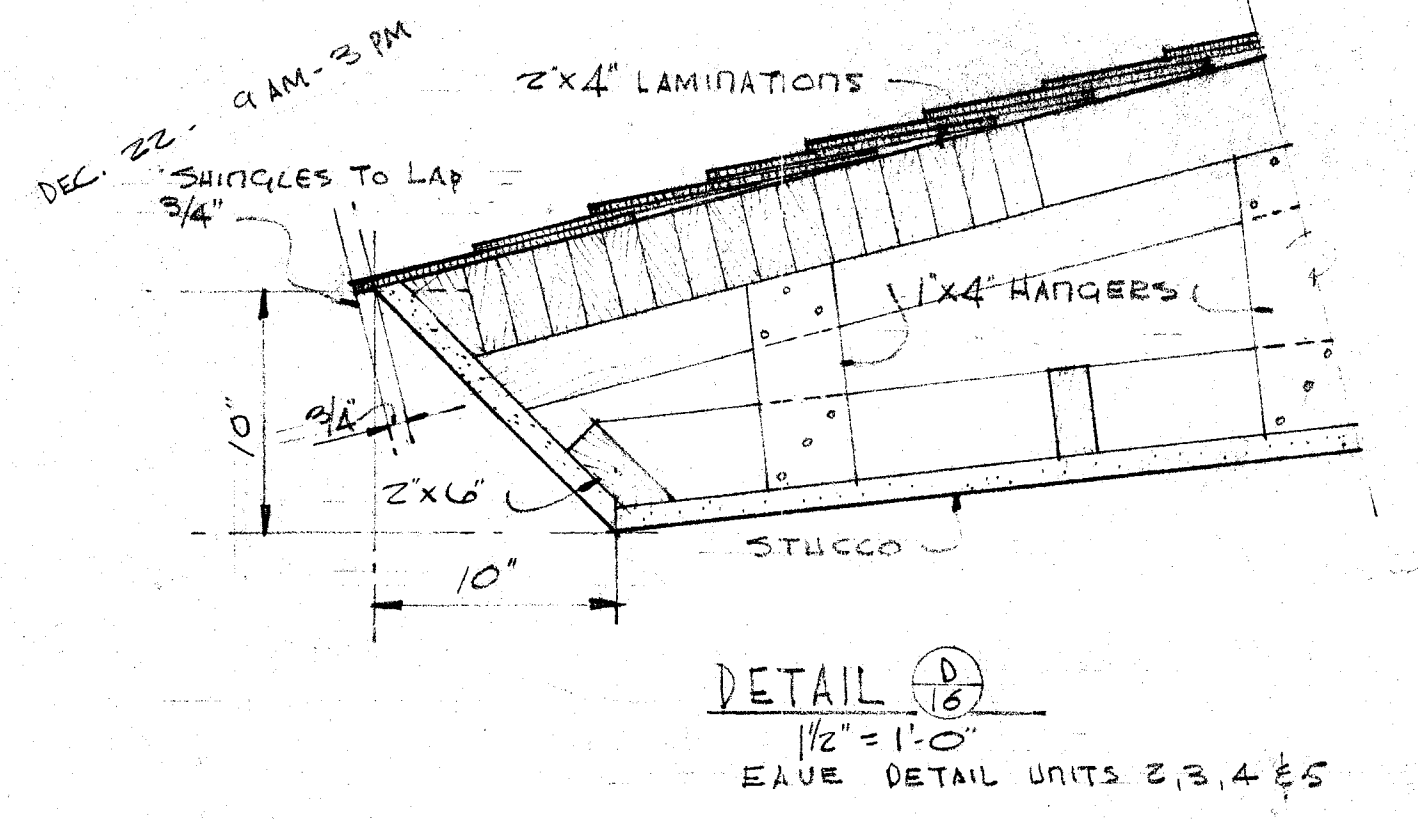
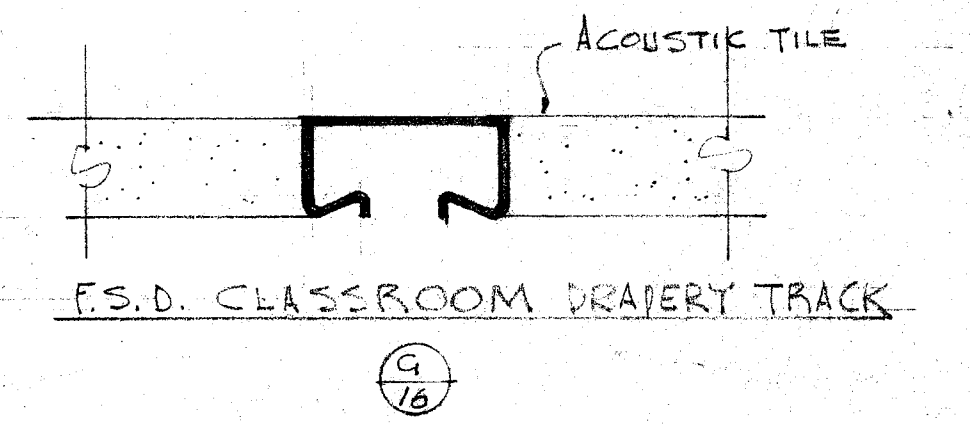
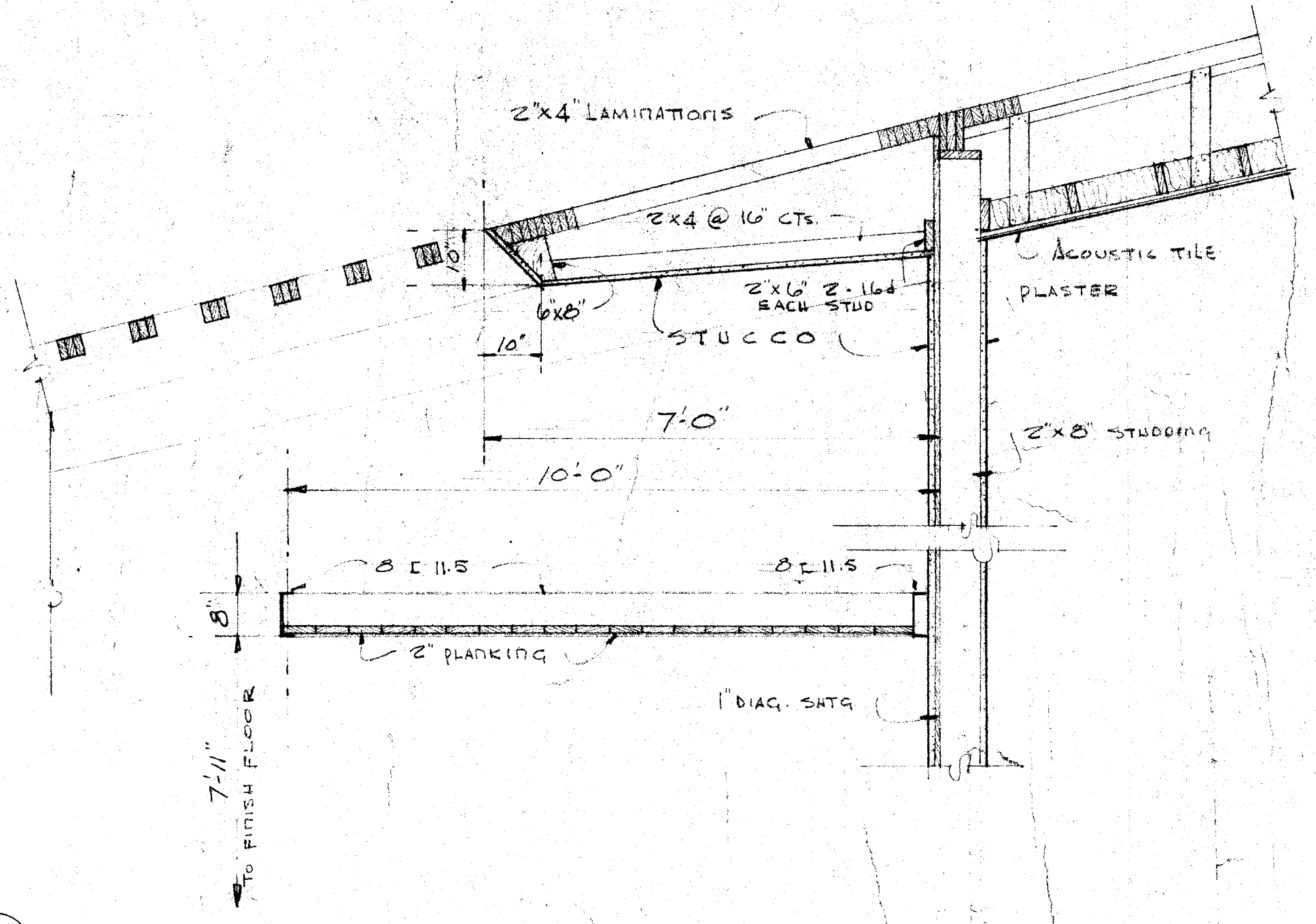


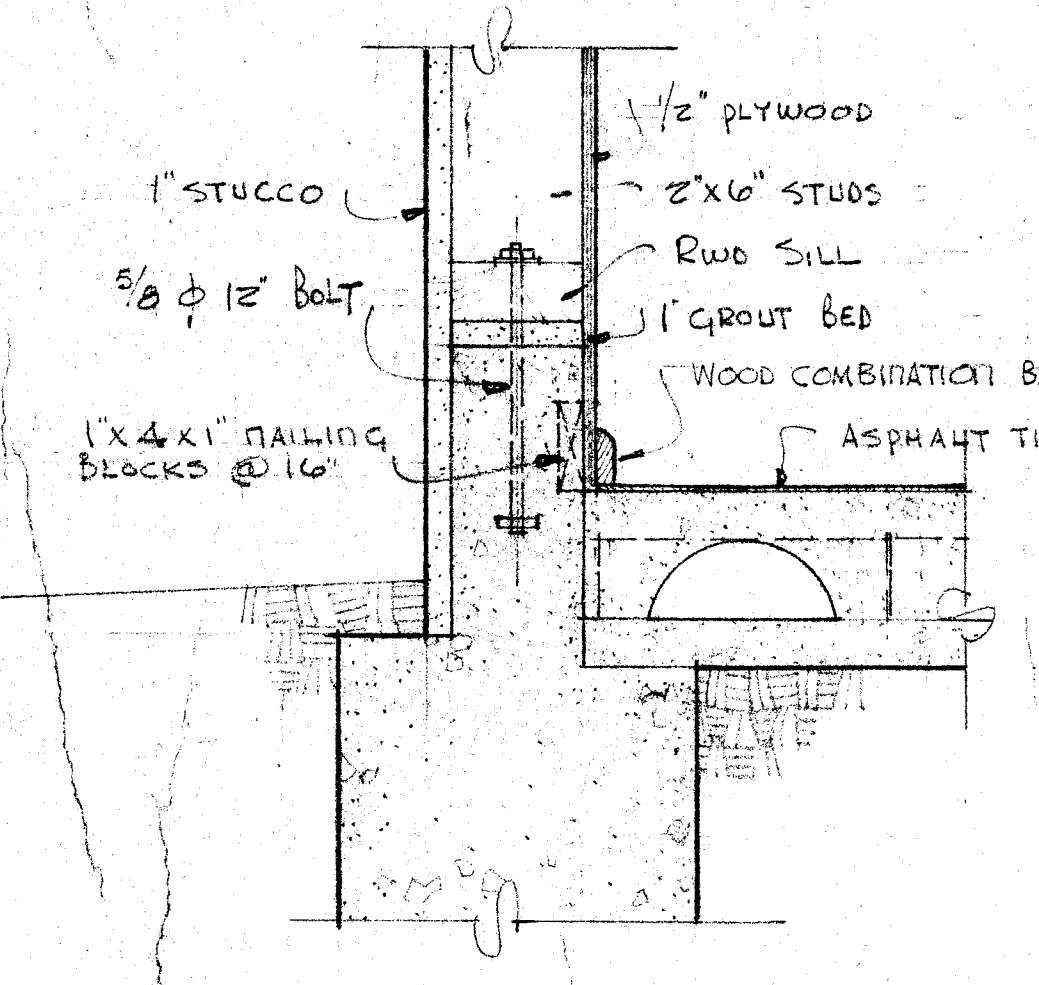
SECTION TYPICAL CLASSROOM UNITS 3, 4 & 5.
1/2" = 1'-0"



SECTION A UNIT ONE
SCALE: 1/2" = 1'-0"



DETAIL B
1/2" = 1'-0"



DETAIL C
1/2" = 1'-0"

F.S.D. METAL DRIP SEE DETAIL E (RAKE)

DIVISION OF ARCHITECTURE

BOARD OF EDUCATION

APPROVED OCT 11, 1953
C. W. [Signature]

J. P. [Signature] Pres.
Virginia C. [Signature] Sec.

SECTION TYPICAL CLASSROOM
UNITS THREE, FOUR & FIVE
REAL ROAD SCHOOL

Whitney Biggar
WHITNEY BIGGAR ARCHITECT
MEMBER AMERICAN INSTITUTE OF ARCHITECTS
3601 STOCKDALE HIGHWAY
BAKERSFIELD, CALIFORNIA
29285 REGISTRATION C-1128

PROJECT NO. 655
DRAWN BY:
CHECKED BY:
DATE: JUNE 30, 1953
SHEET
OF 35 **A16**