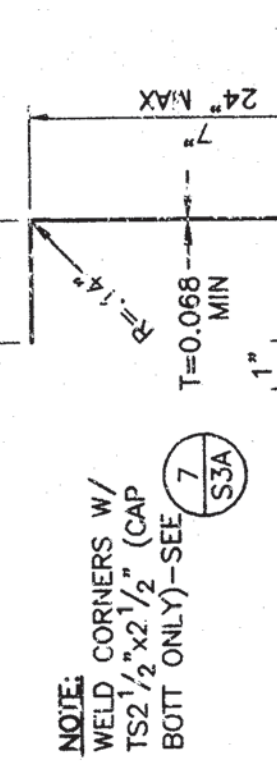
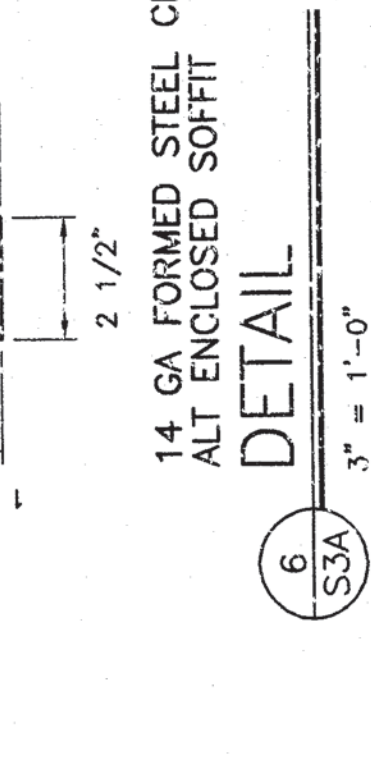


5  
S3A  
1 1/2" = 1'-0"

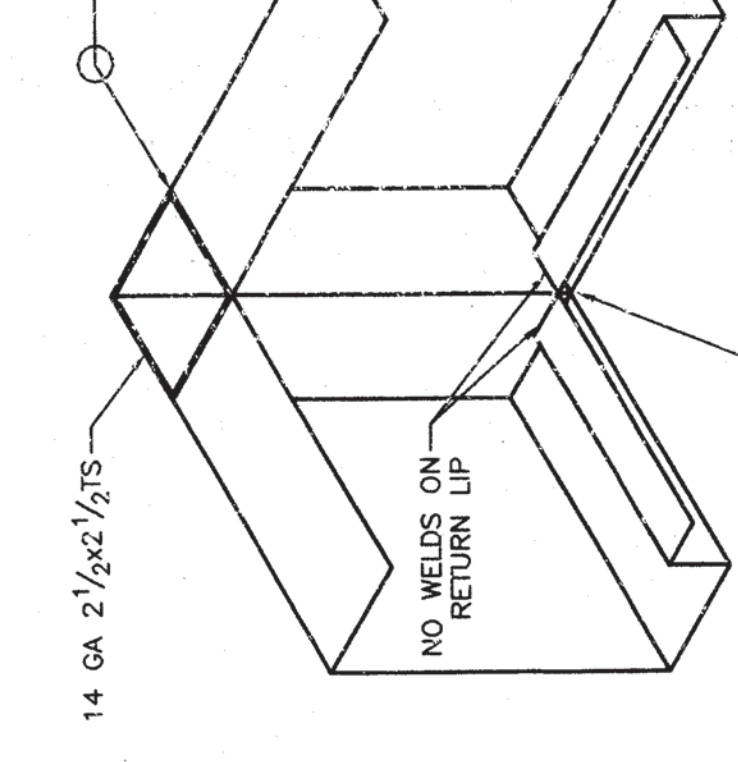
NOTE: CORNERS W/ TS3 1/2x2 1/2" CAP BOLT ONLY - SEE 7  
NOTE: 14 GA. STL. FABRICATED FROM ASTM A570 GRADE 36 ROLLED SHEETS W/ RUST INHIBITIVE PRIMER



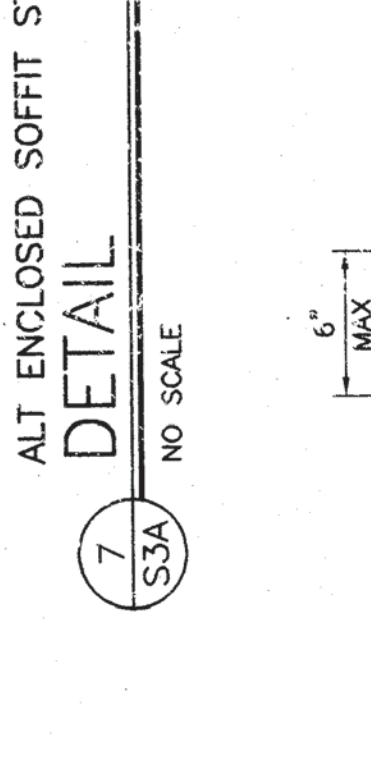
6  
S3A  
3" = 1'-0"



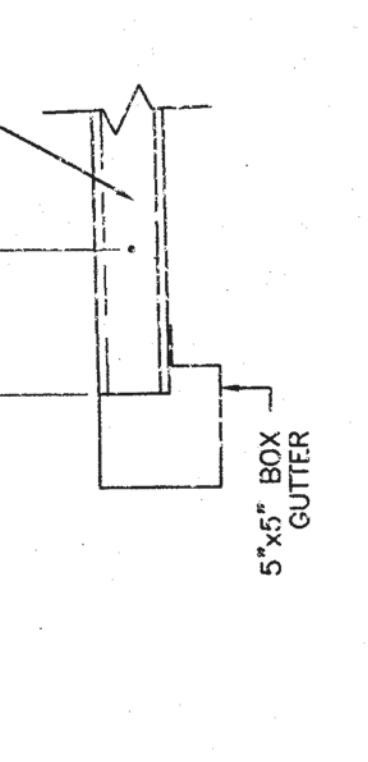
7  
S3A  
NO SCALE



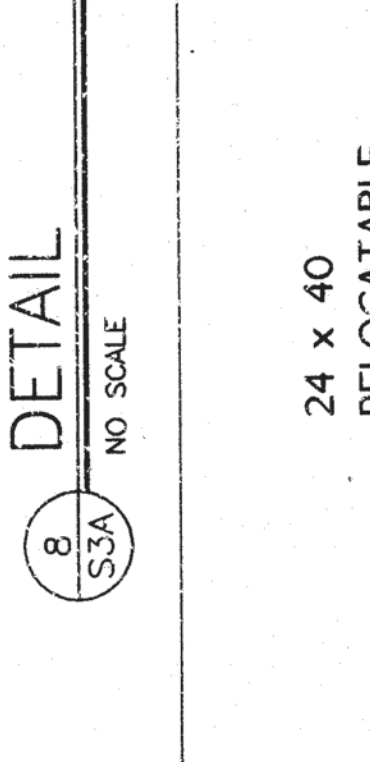
8  
S3A  
NO SCALE



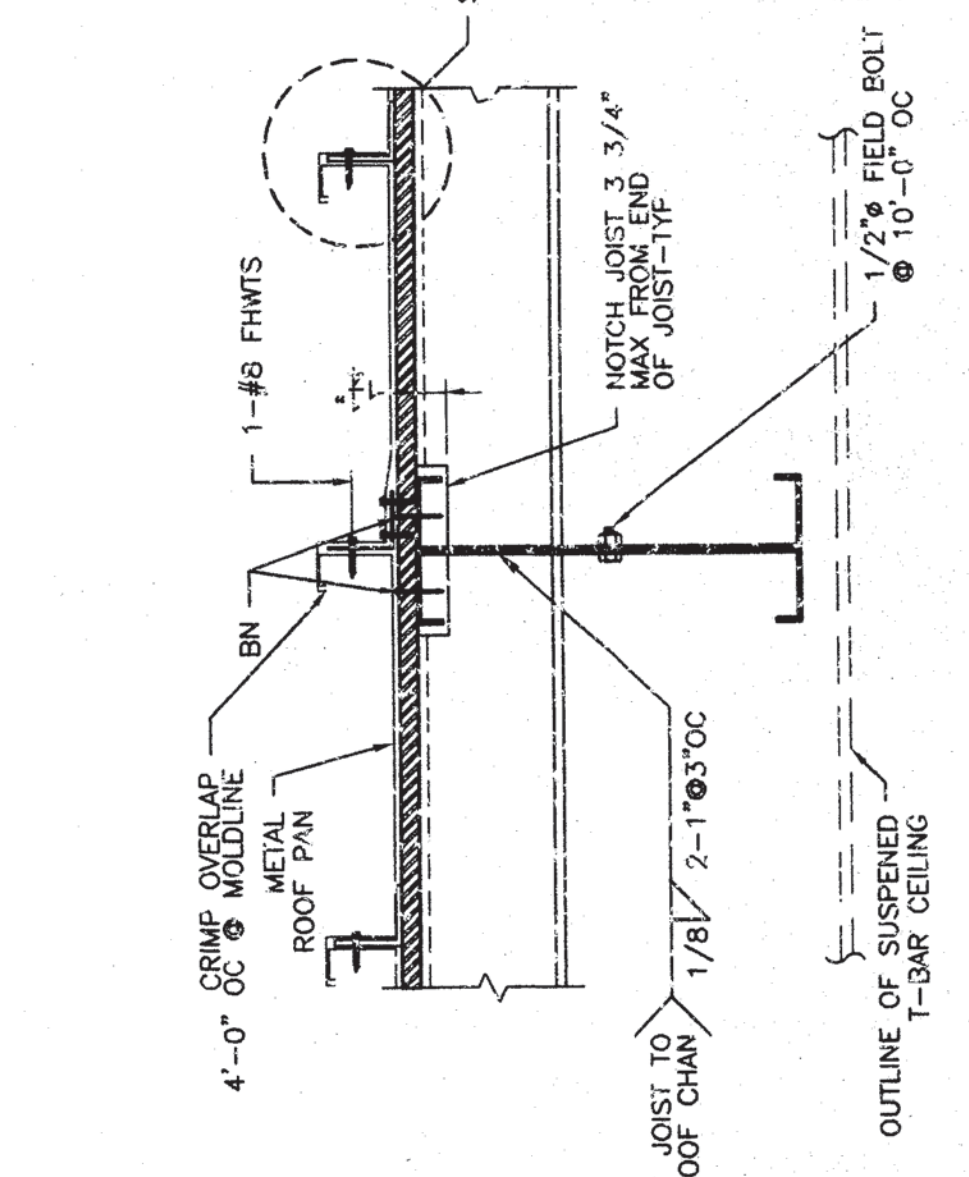
9  
S3A  
1 1/2" = 1'-0"



10  
S3A  
1 1/2" = 1'-0"



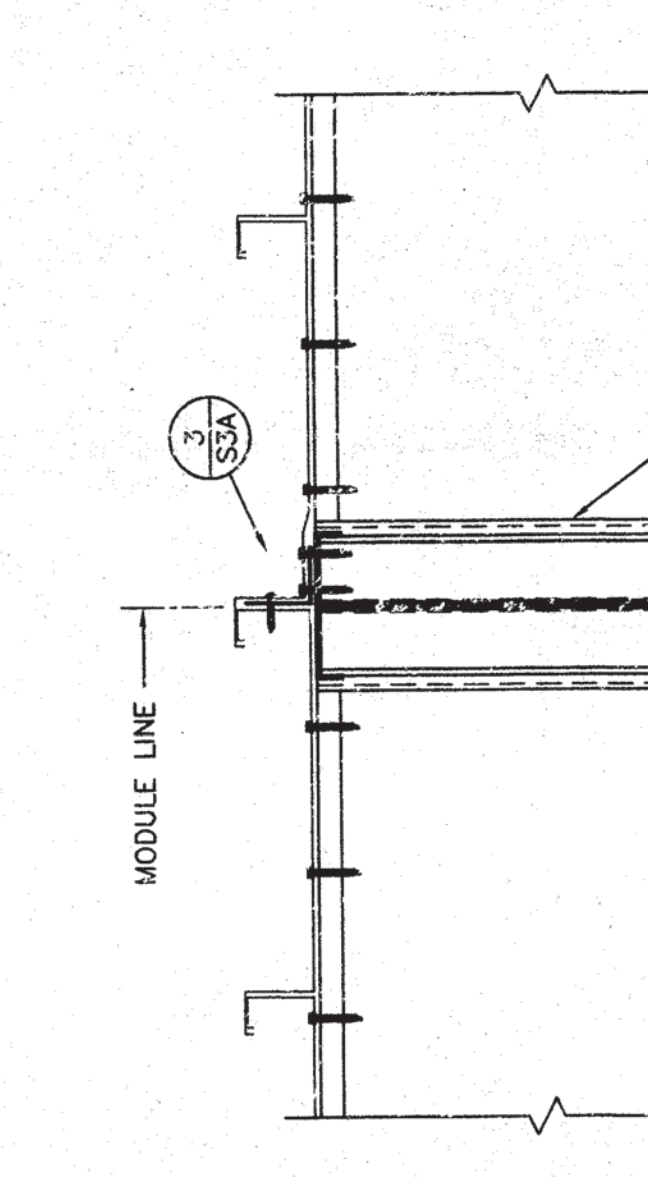
11  
S3A  
1 1/2" = 1'-0"



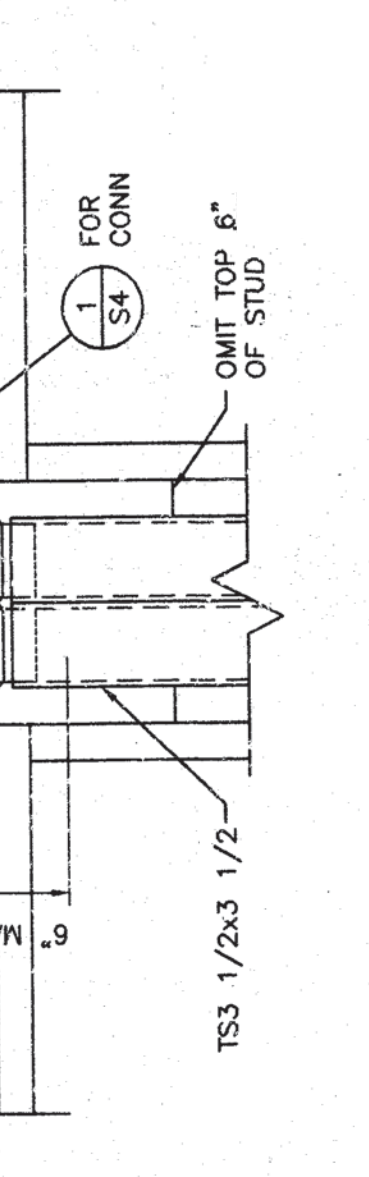
12  
S3A  
1 1/2" = 1'-0"



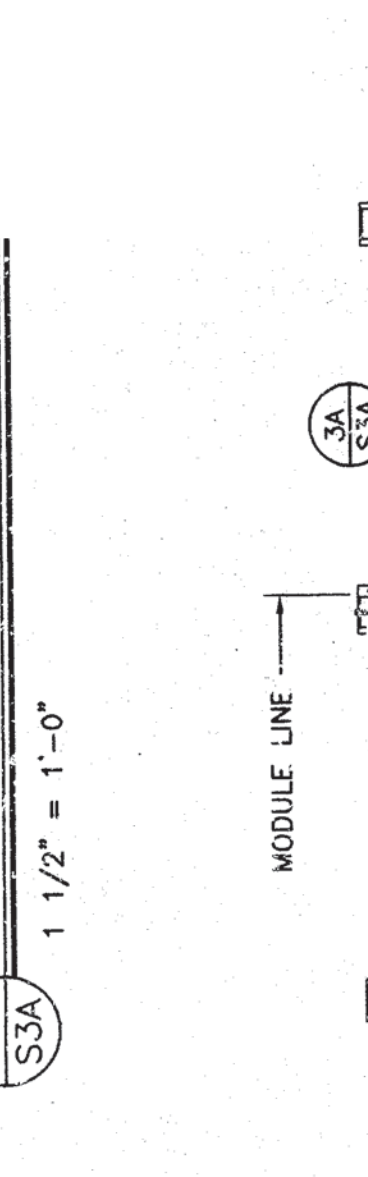
13  
S3A  
1 1/2" = 1'-0"



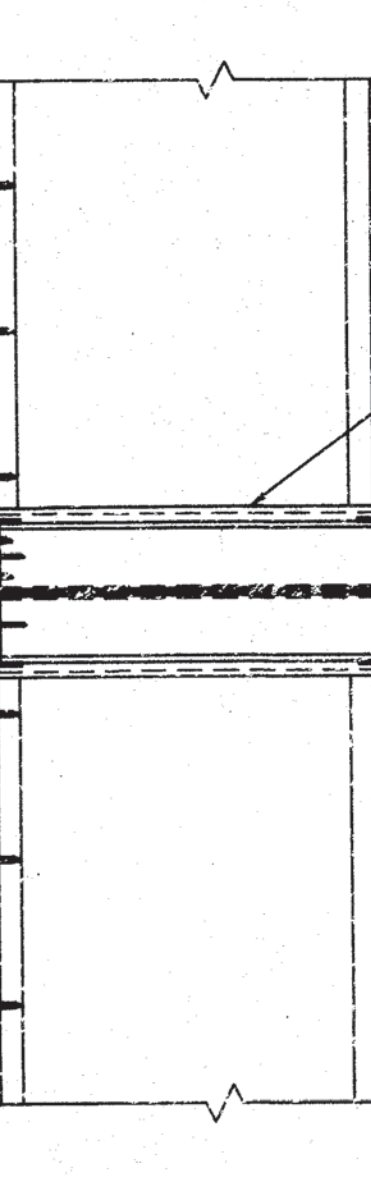
14  
S3A  
1 1/2" = 1'-0"



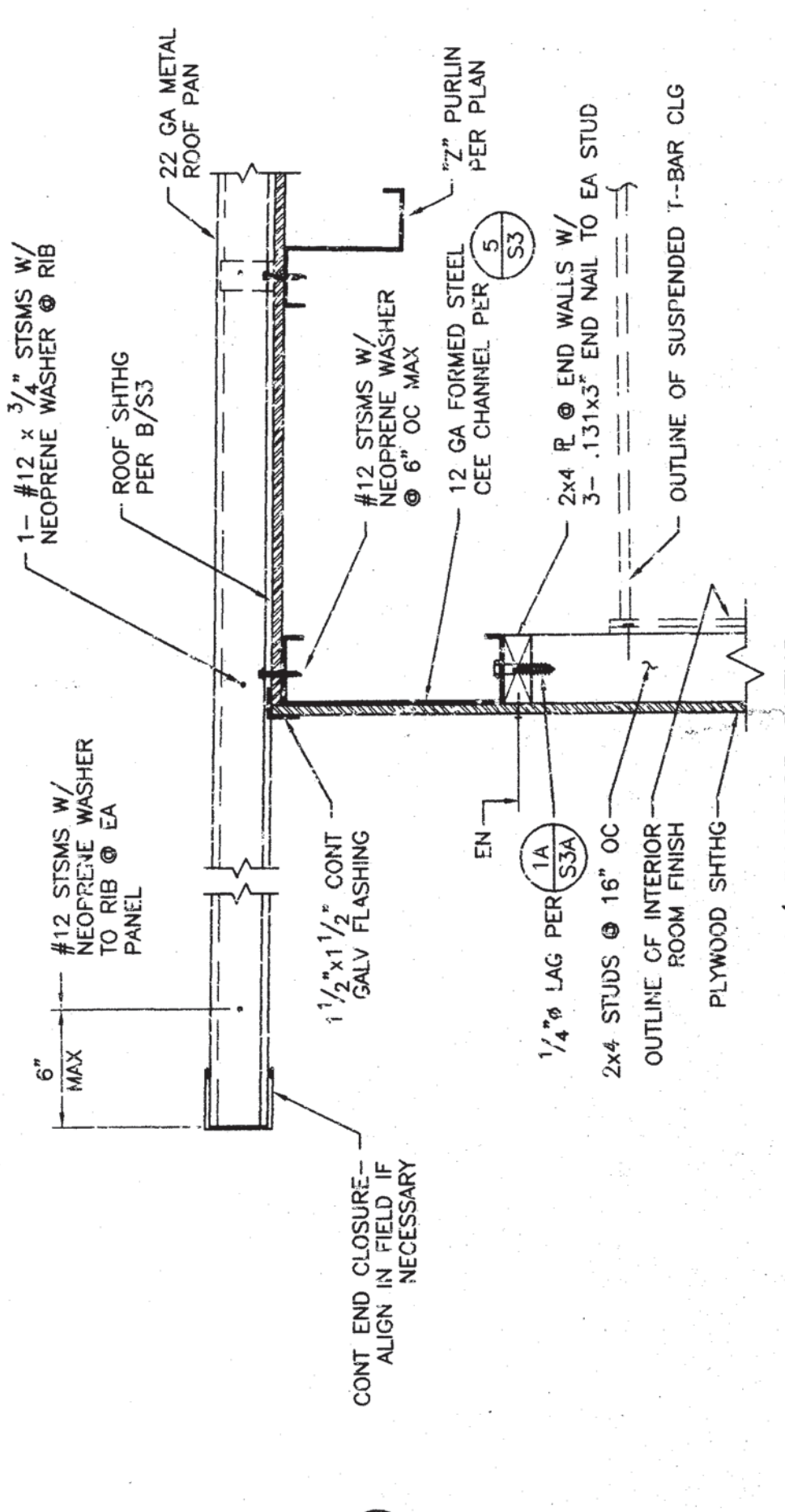
15  
S3A  
1 1/2" = 1'-0"



16  
S3A  
1 1/2" = 1'-0"



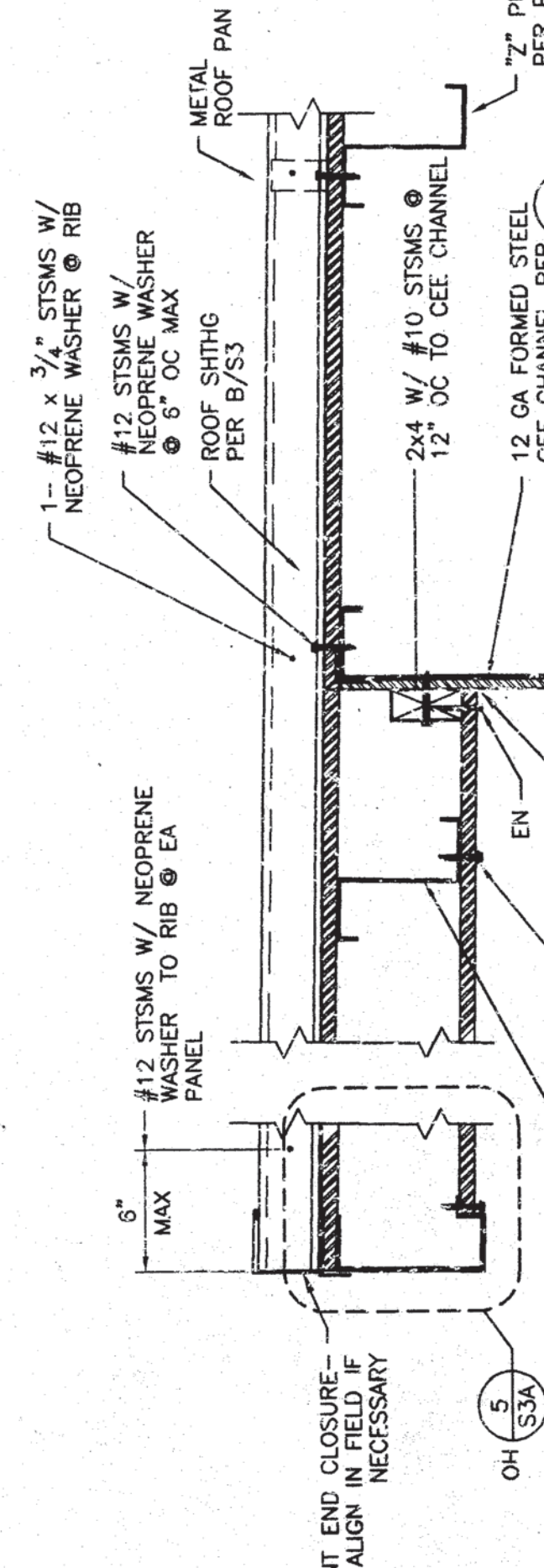
17  
S3A  
1 1/2" = 1'-0"



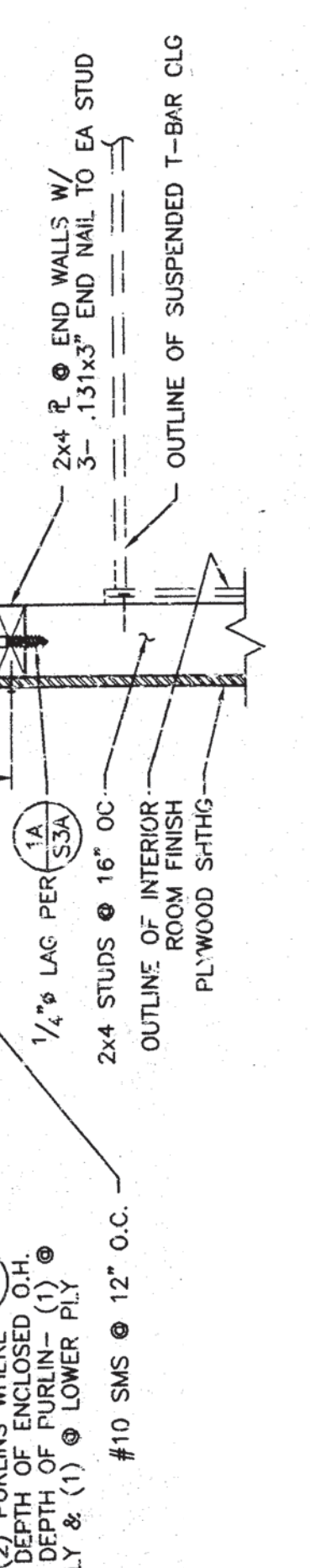
18  
S3A  
1 1/2" = 1'-0"



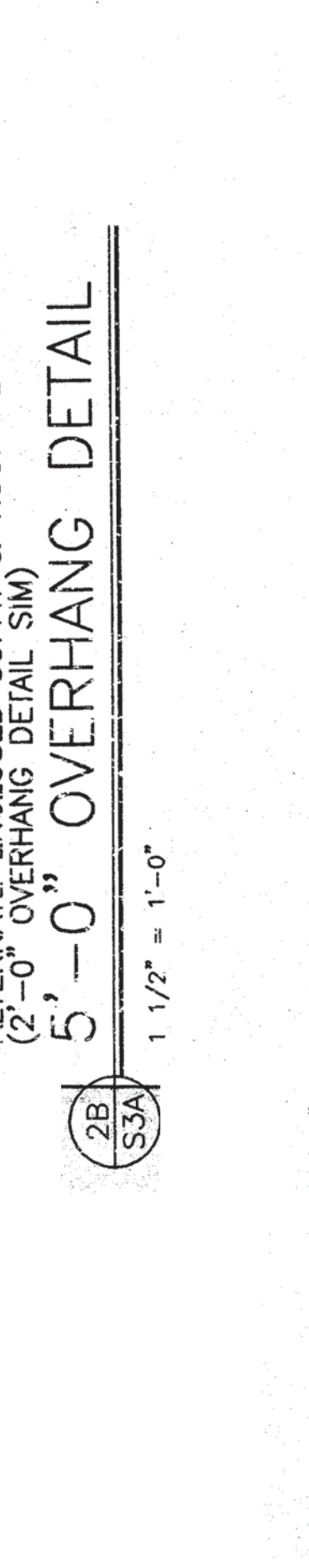
19  
S3A  
1 1/2" = 1'-0"



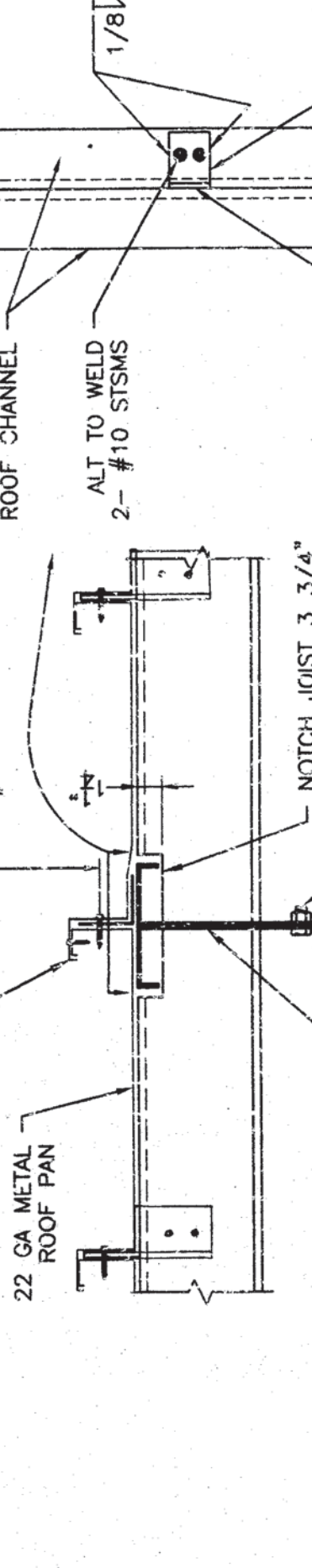
20  
S3A  
1 1/2" = 1'-0"



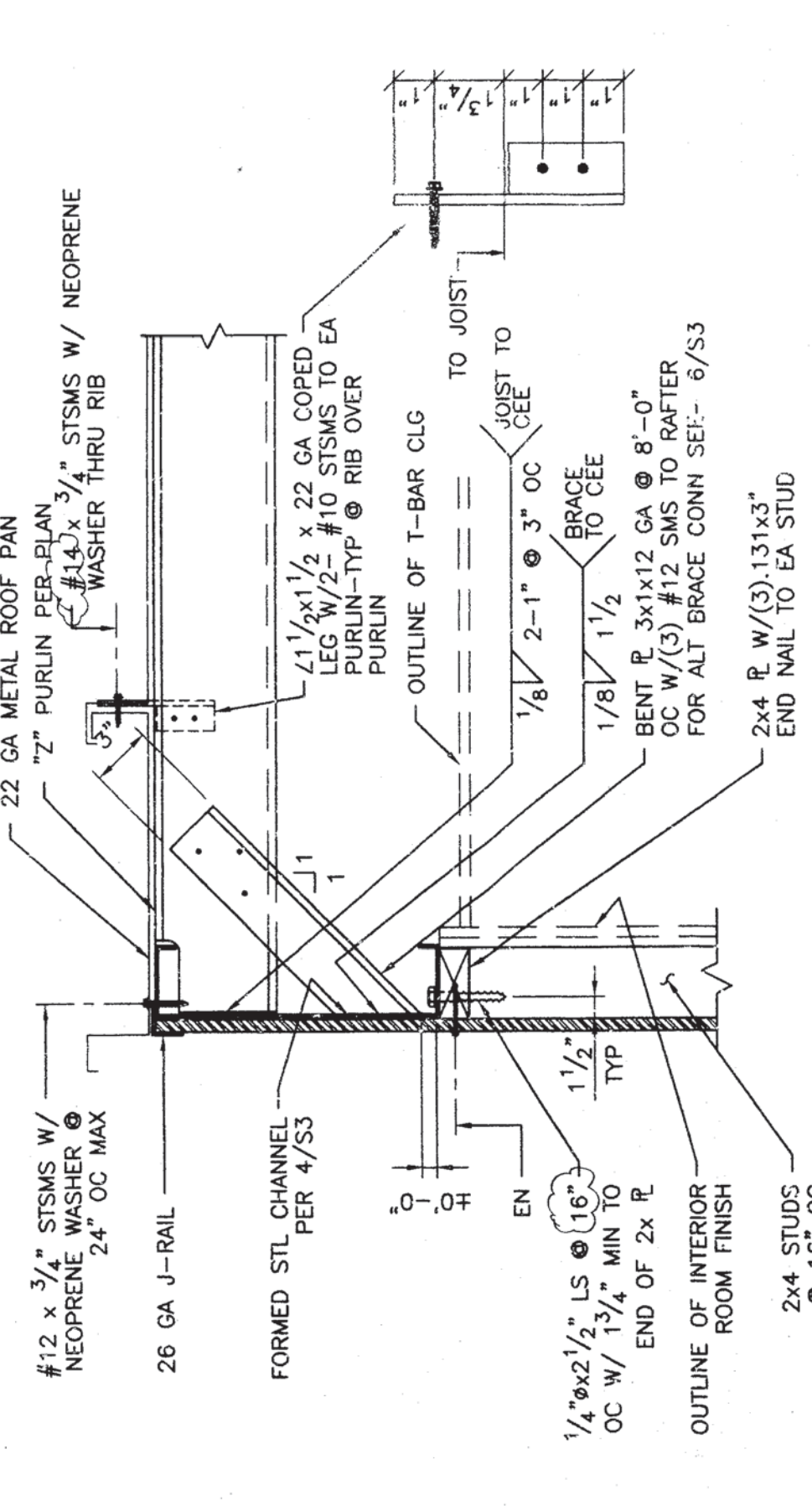
21  
S3A  
1 1/2" = 1'-0"



22  
S3A  
1 1/2" = 1'-0"



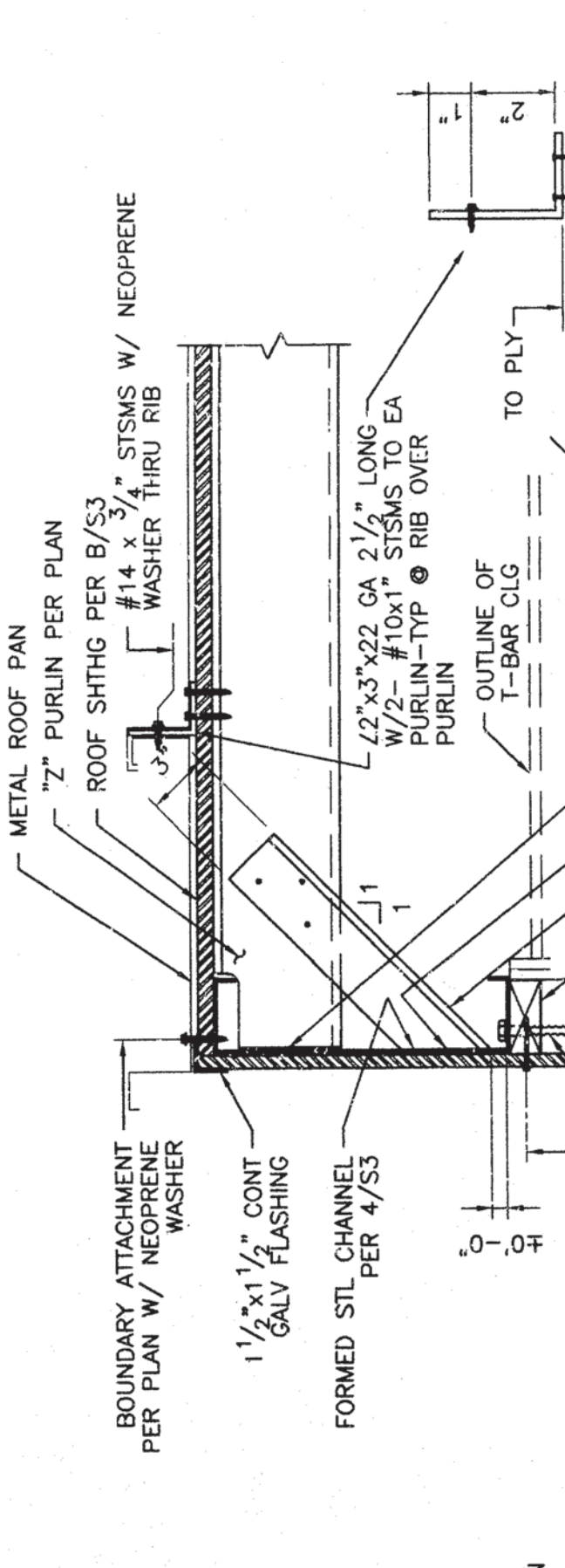
23  
S3A  
1 1/2" = 1'-0"



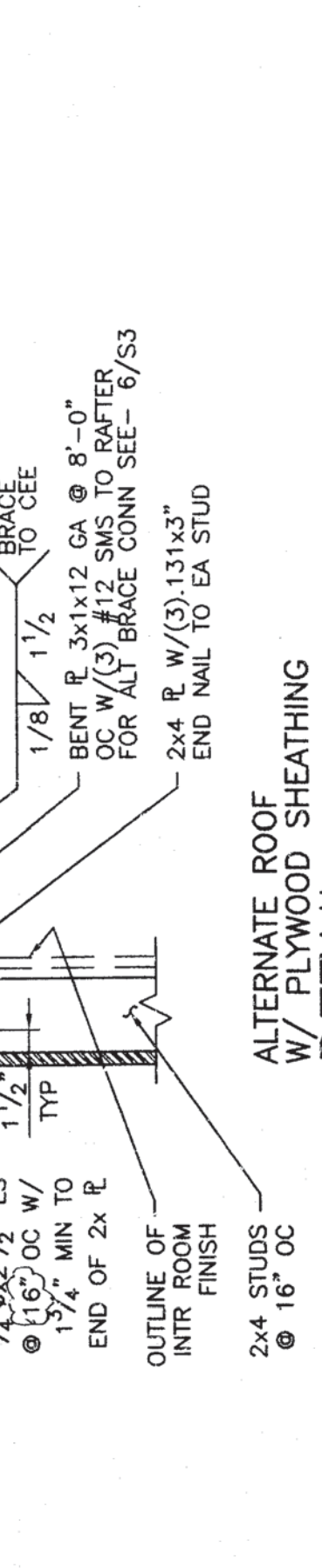
24  
S3A  
1 1/2" = 1'-0"



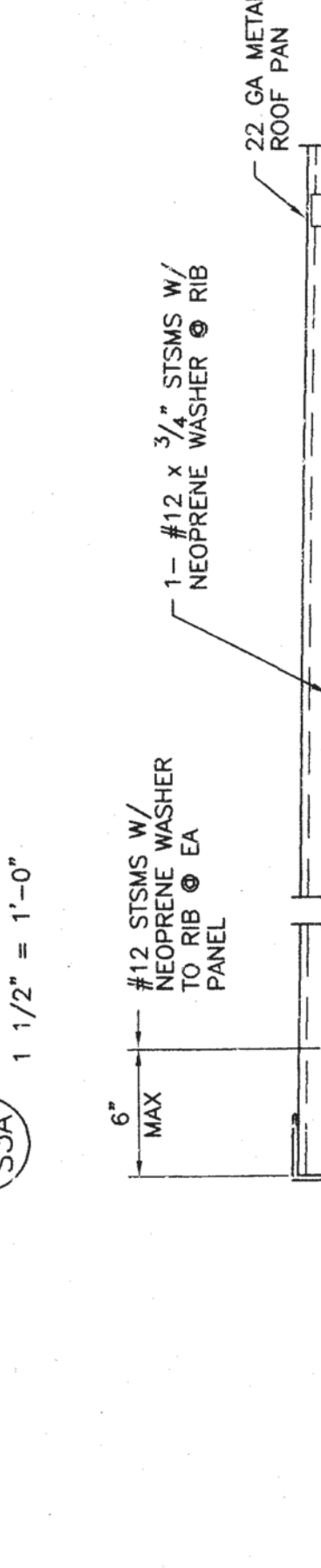
25  
S3A  
1 1/2" = 1'-0"



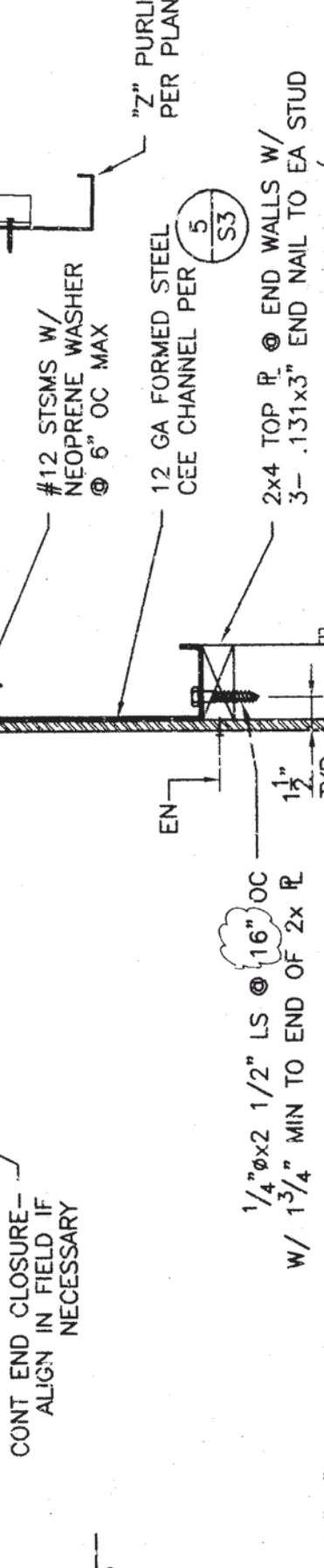
26  
S3A  
1 1/2" = 1'-0"



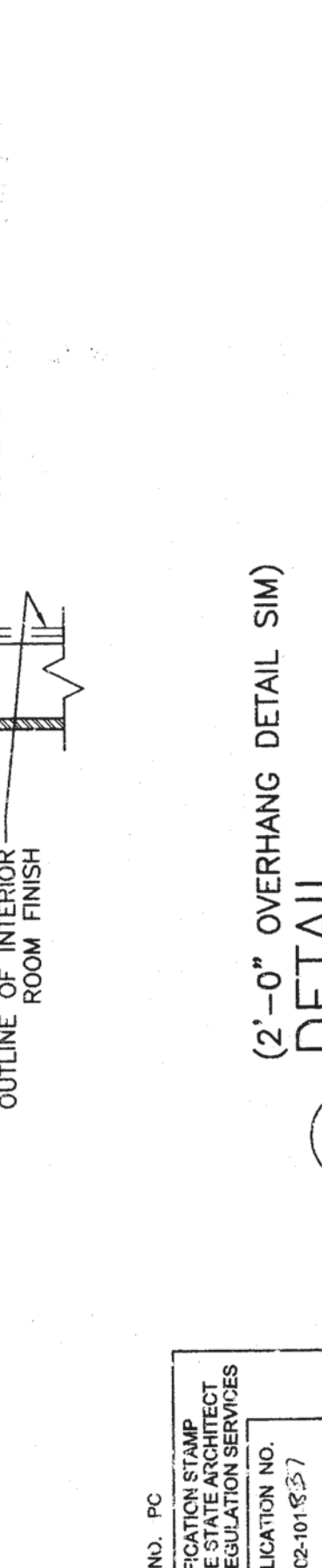
27  
S3A  
1 1/2" = 1'-0"



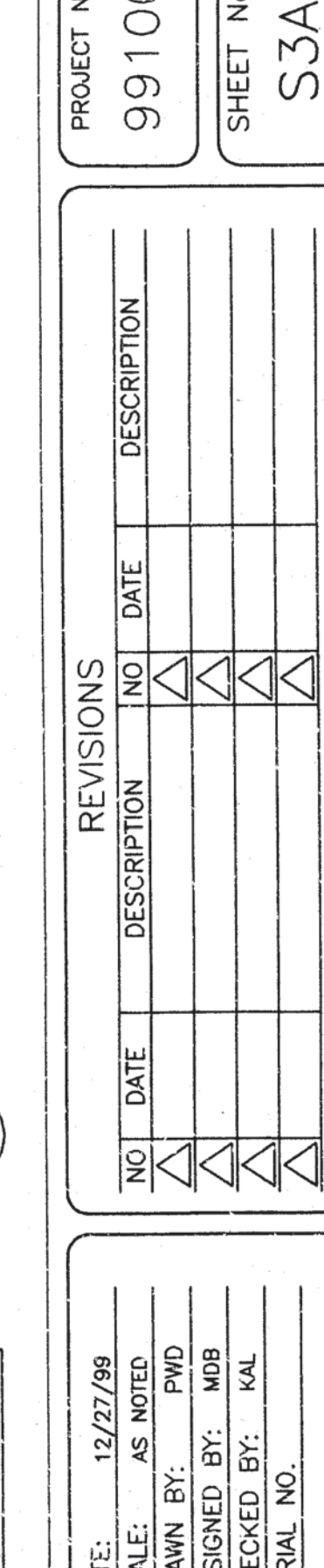
28  
S3A  
1 1/2" = 1'-0"



29  
S3A  
1 1/2" = 1'-0"



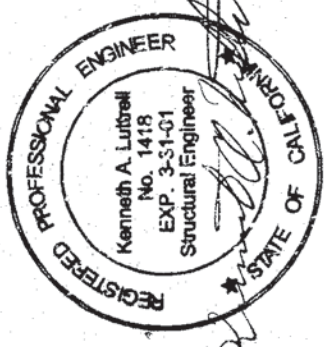
30  
S3A  
1 1/2" = 1'-0"



31  
S3A  
1 1/2" = 1'-0"

24 x 40  
RELOCATABLE  
CLASSROOM

**American Modular Systems**



CUSTOMER: ROOF FRAMING DETAILS

PROJECT NO. 99100  
SHEET NO. S3A

NO	DATE	DESCRIPTION	NO	DATE	DESCRIPTION
1			1		
2			2		
3			3		
4			4		
5			5		
6			6		
7			7		
8			8		
9			9		
10			10		

DATE: 12/27/99  
SCALE: AS NOTED  
DRAWN BY: PWD  
DESIGNED BY: MOB  
CHECKED BY: KAL  
SERIAL NO.

FILE NO. PC  
IDENTIFICATION STAMP  
DIV. OF THE STATE ARCHITECT  
OFFICE OF REGULATORY SERVICES  
APPLICATION NO. C-9016527  
DATE: JAN 12 2000