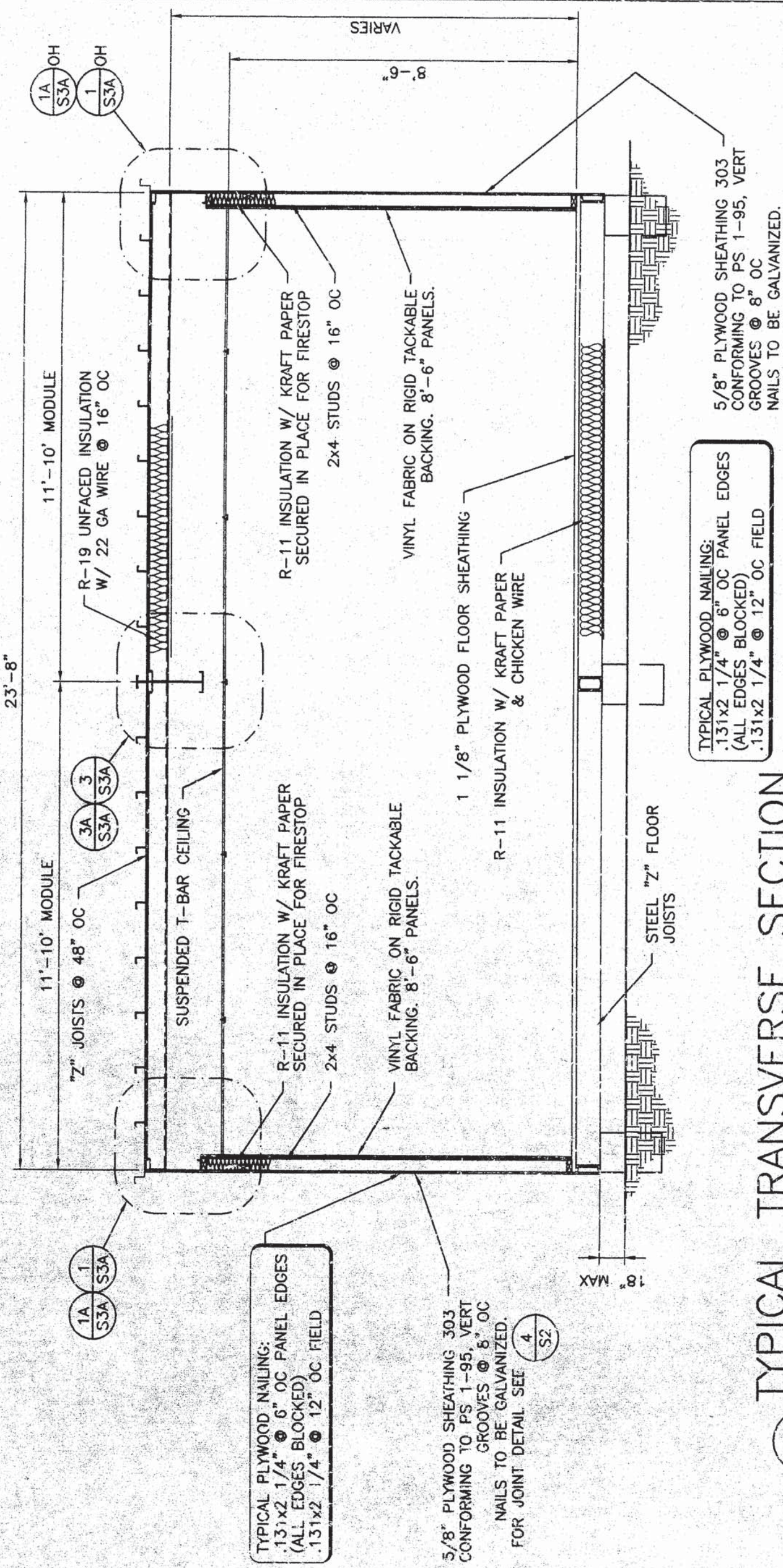
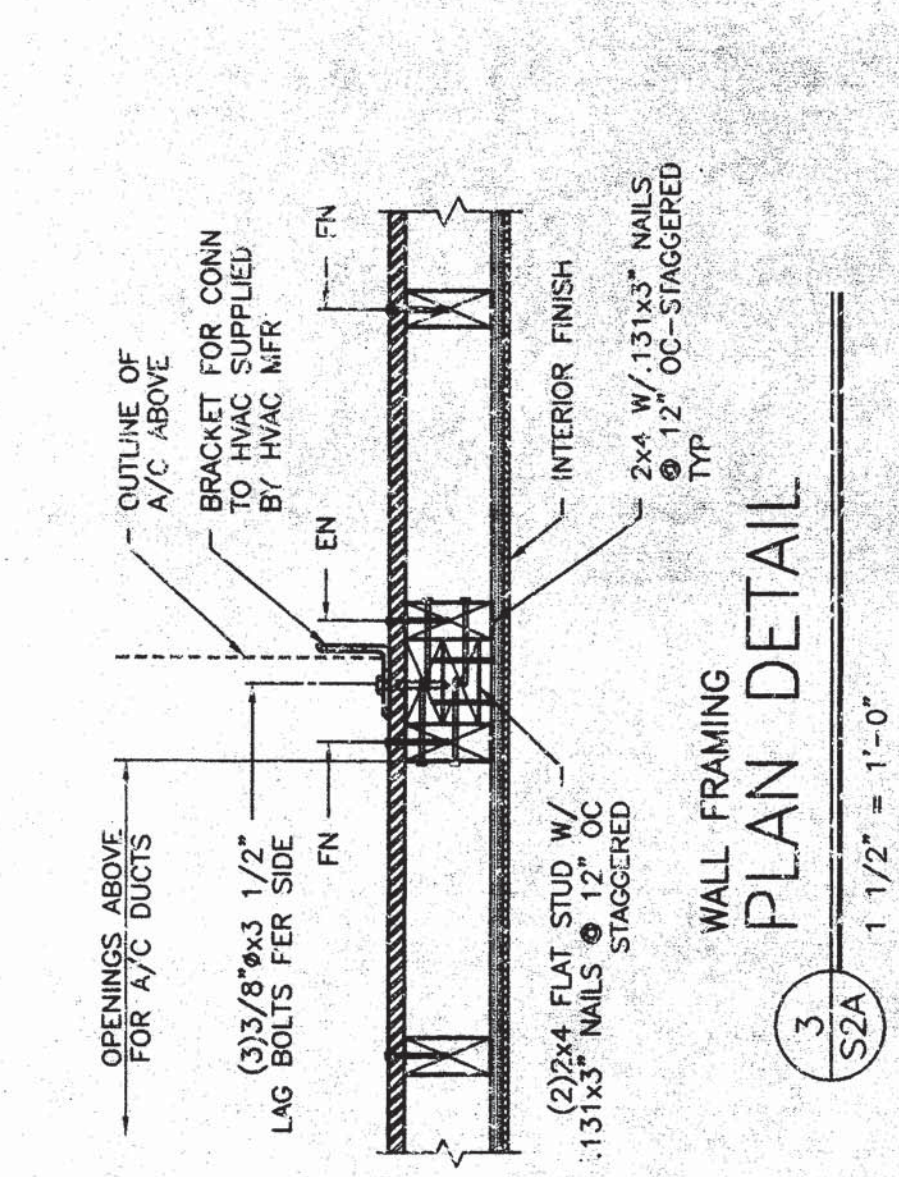


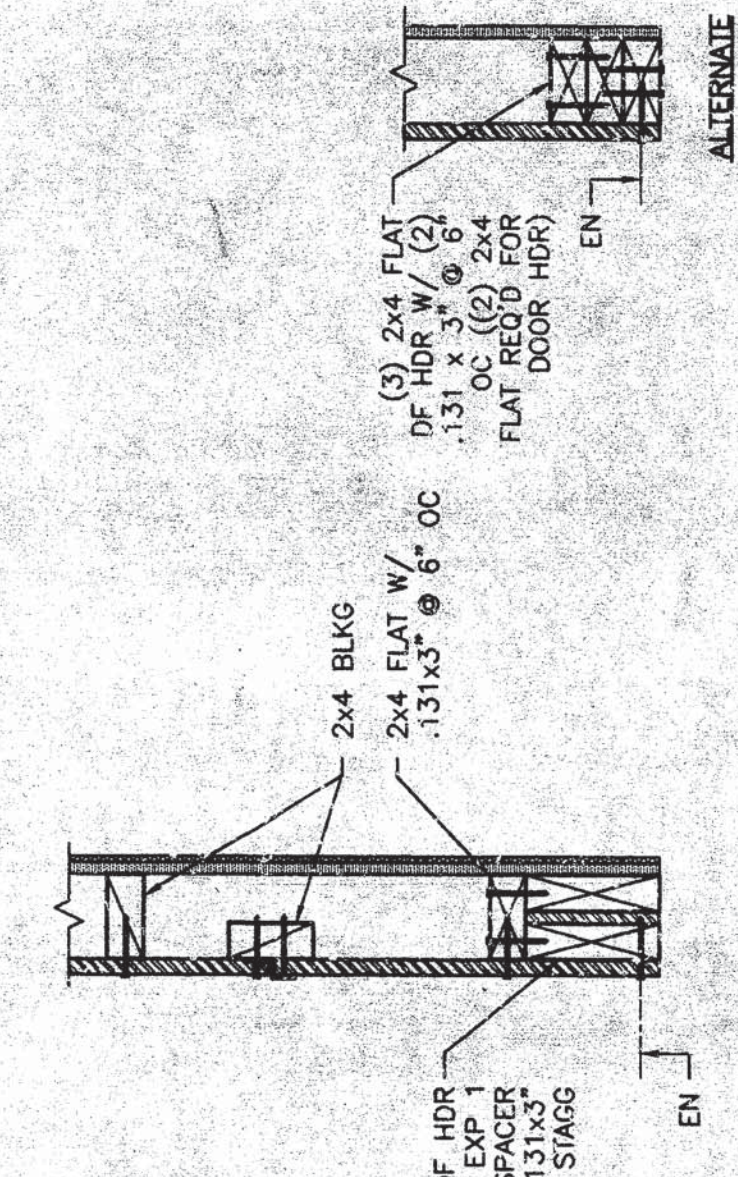
TYPICAL LONGITUDINAL SECTION
3/8" = 1'-0"



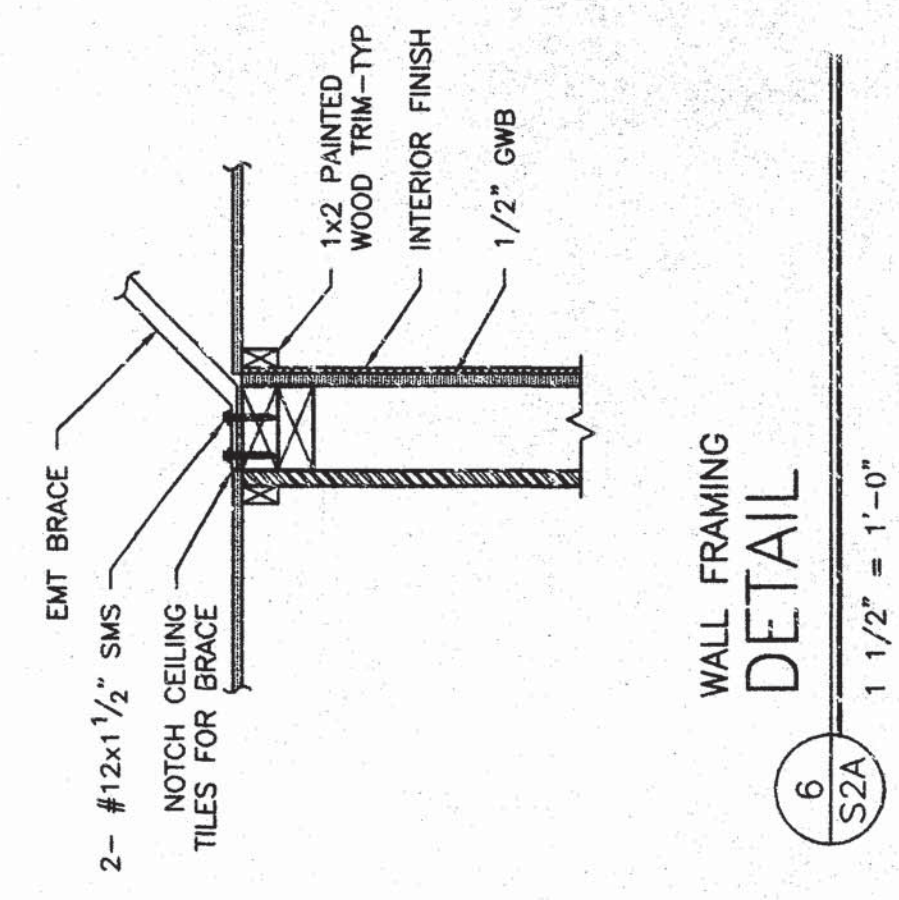
TYPICAL TRANSVERSE SECTION
3/8" = 1'-0"



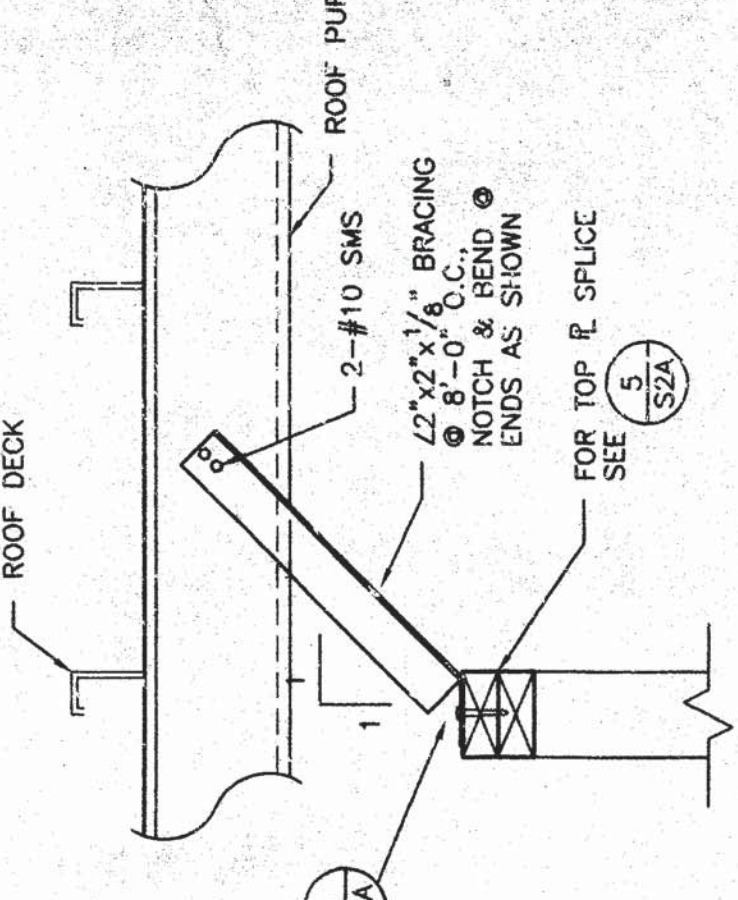
WALL FRAMING PLAN DETAIL
1 1/2" = 1'-0"



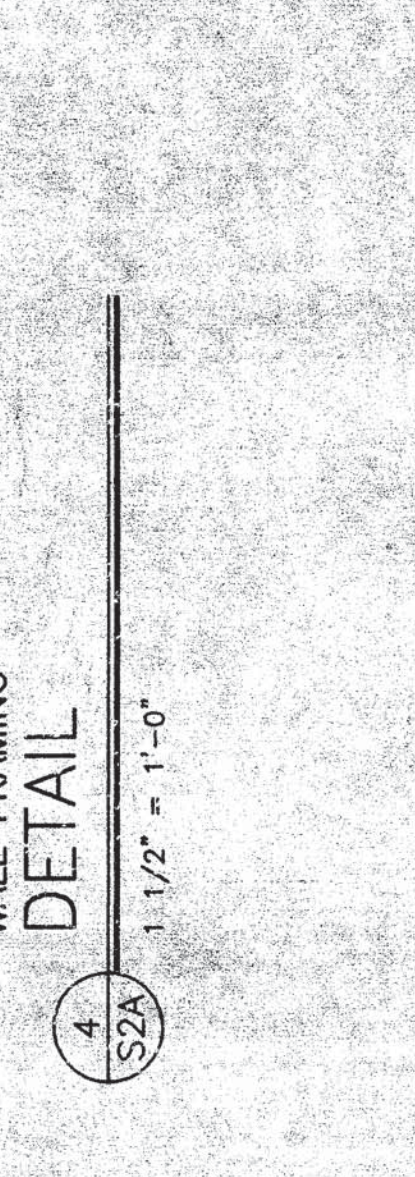
WALL FRAMING PLAN DETAIL
1 1/2" = 1'-0"



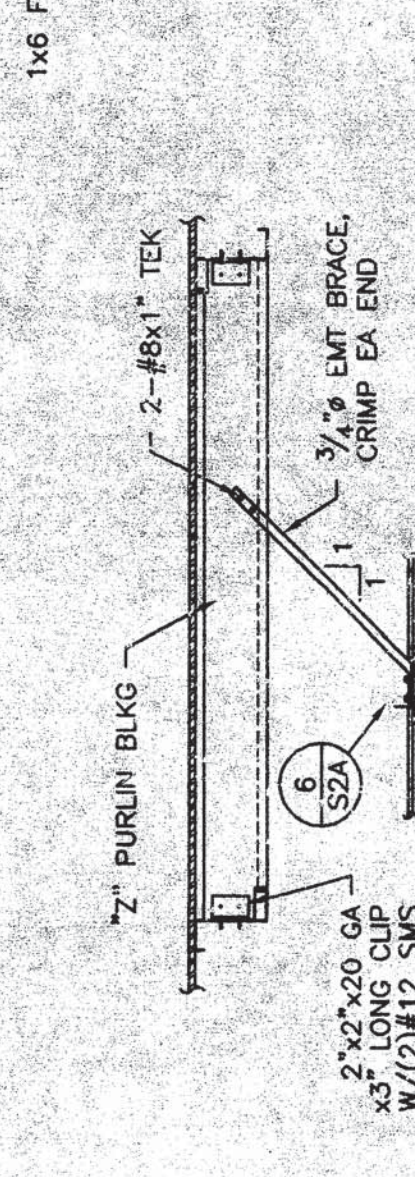
WALL FRAMING DETAIL
1 1/2" = 1'-0"



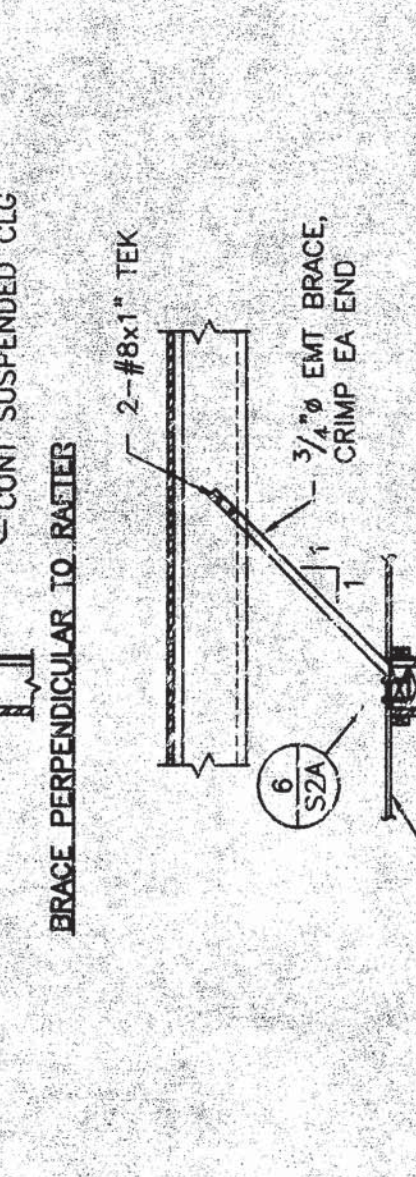
WALL FRAMING DETAIL
1 1/2" = 1'-0"



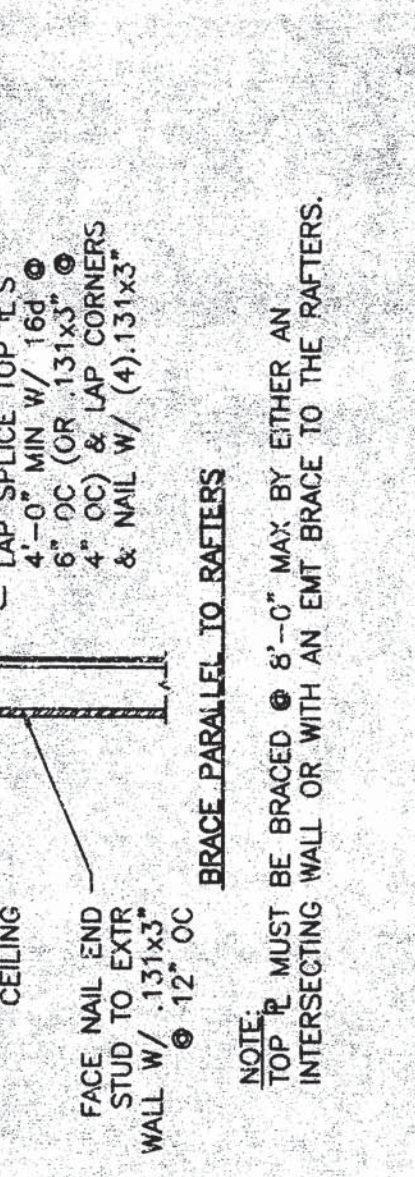
WALL FRAMING DETAIL
NO SCALE



WALL FRAMING DETAIL
1 1/2" = 1'-0"



WALL FRAMING DETAIL
1 1/2" = 1'-0"



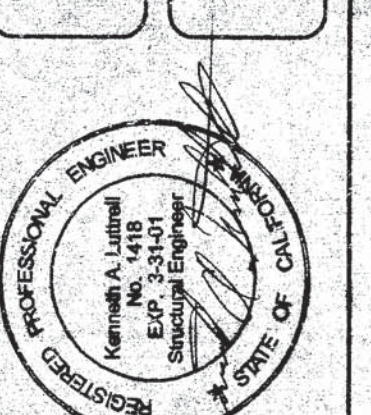
WALL FRAMING DETAIL
1 1/2" = 1'-0"

NO	DATE	DESCRIPTION	NO	DATE	DESCRIPTION
1			1		
2			2		
3			3		
4			4		

DATE:	12/27/99
SCALE:	AS NOTED
DRAWN BY:	PMD
DESIGNED BY:	MOB
CHECKED BY:	KAL
SERIAL NO.:	

PROJECT NO.	99100
SHEET NO.	S2A

BUILDING SECTIONS AND WALL DETAILS



American Modular Systems

24 x 40
RELOCATABLE
CLASSROOM