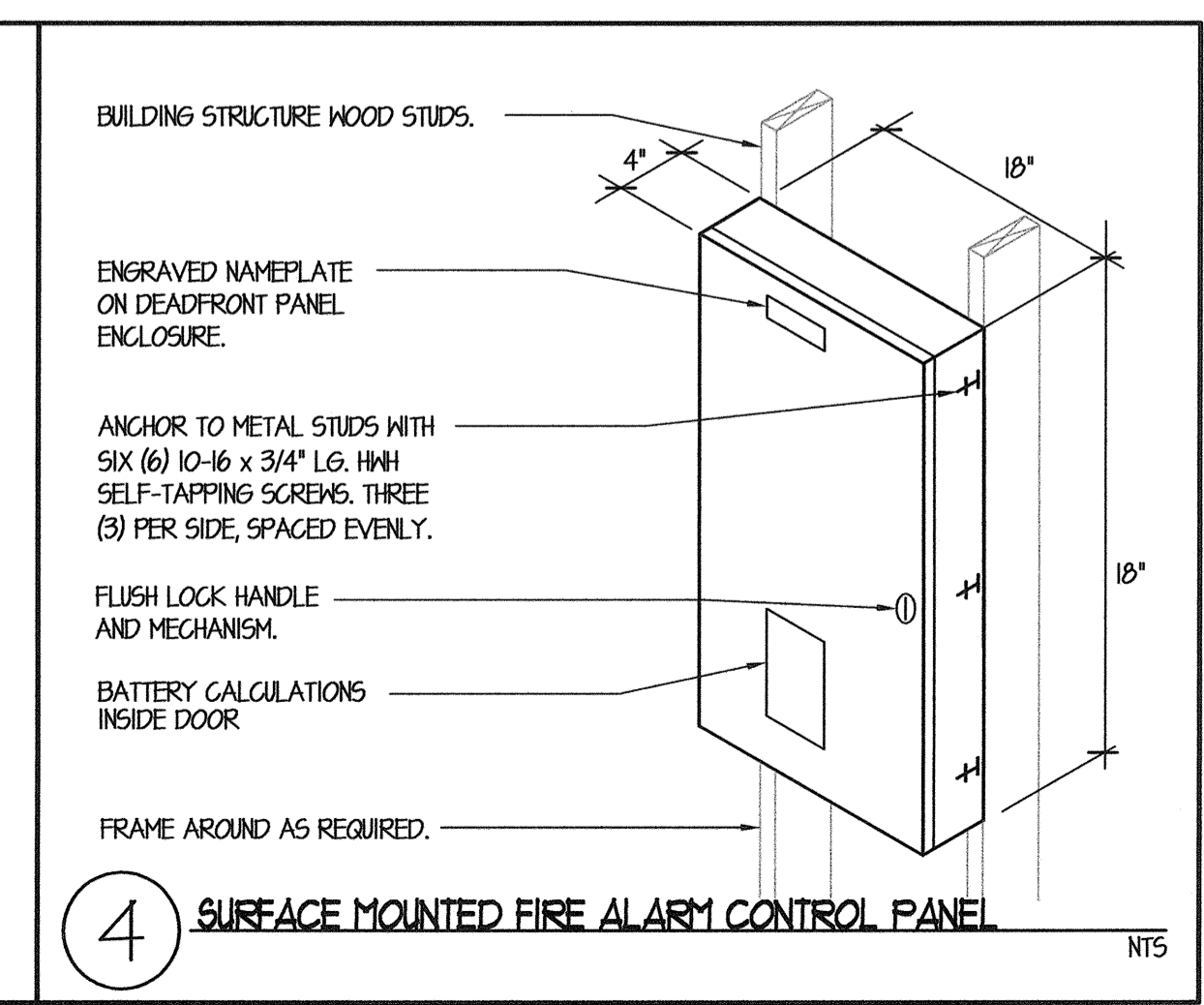
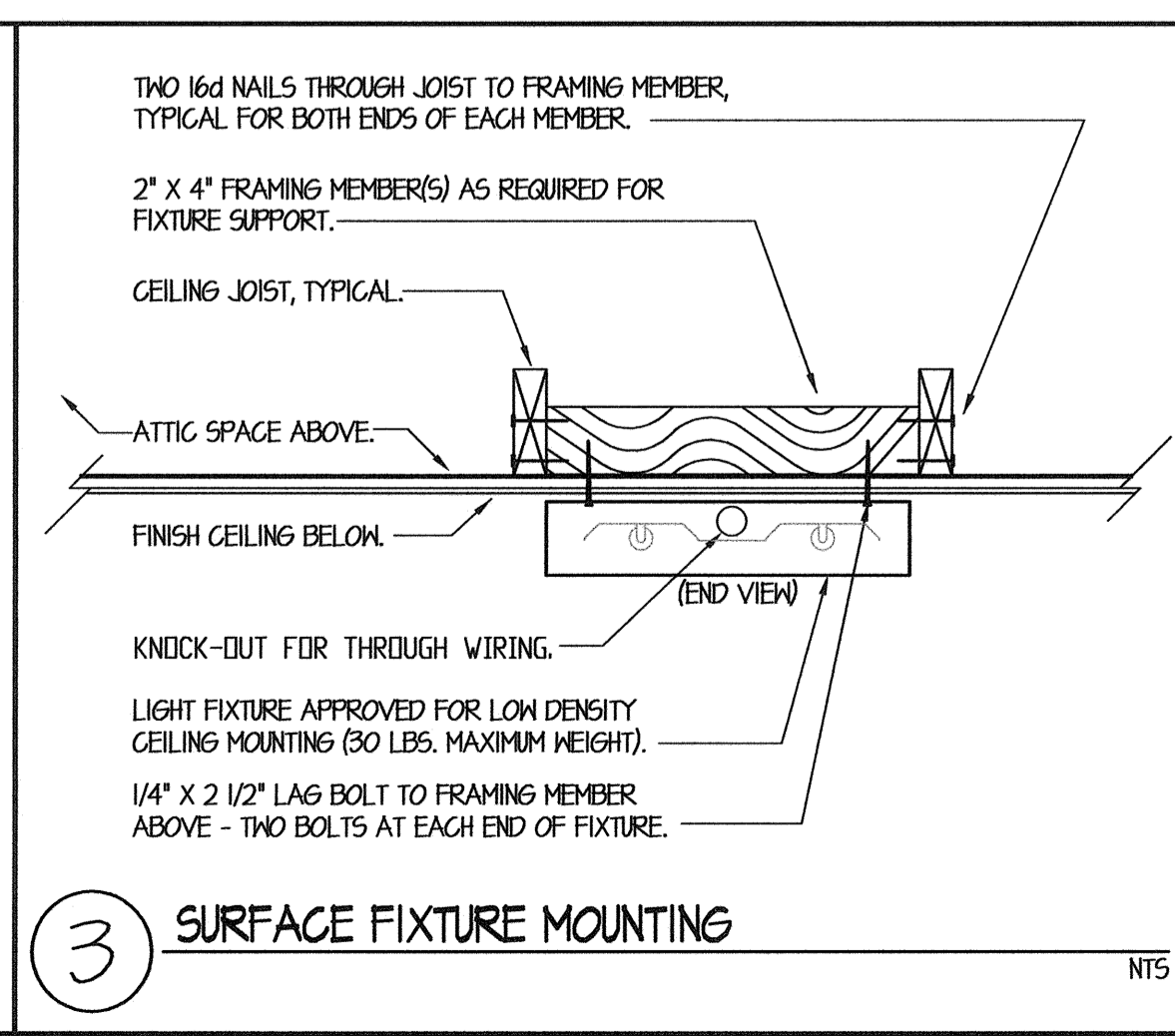
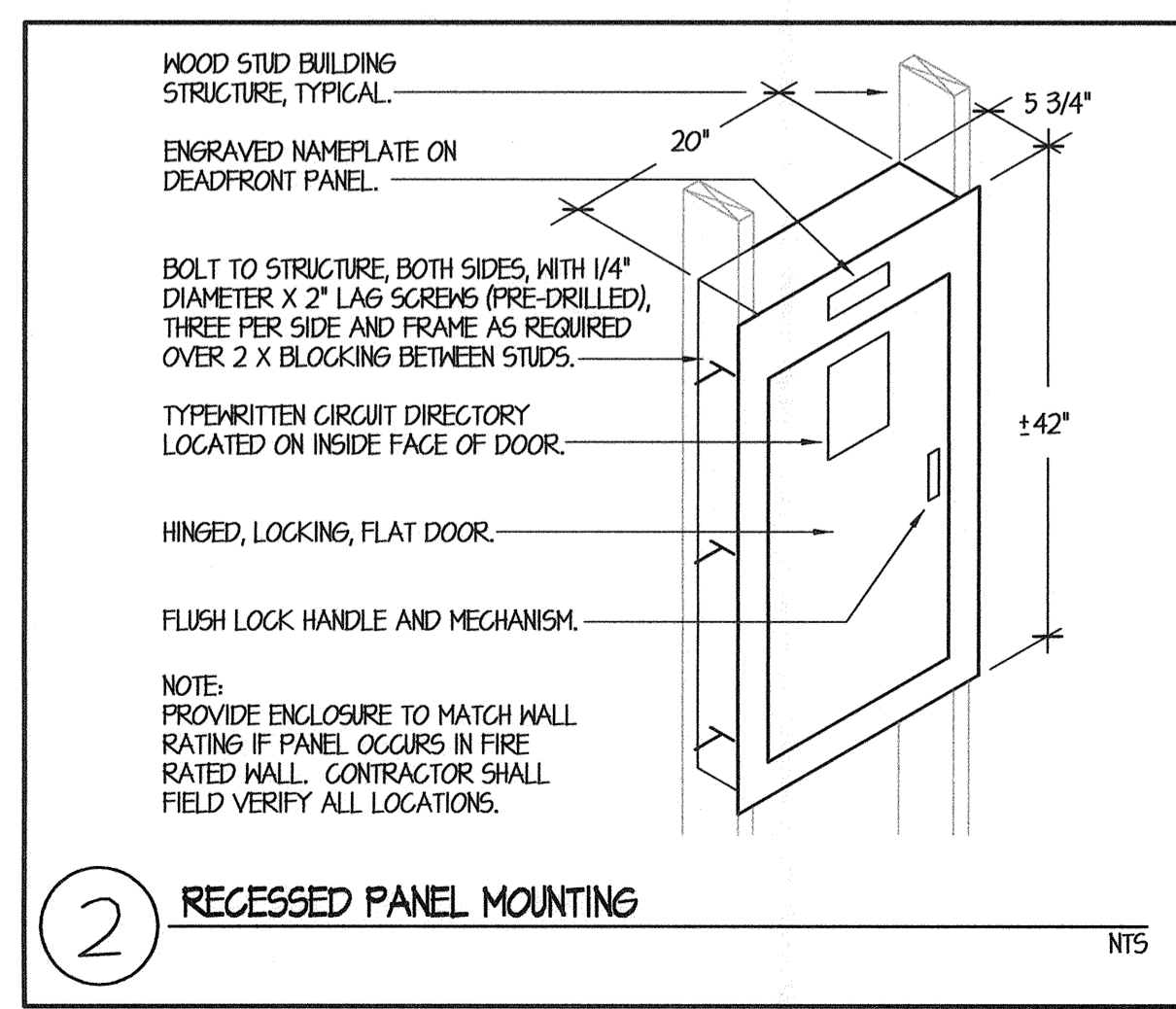


1 SINGLE LINE DIAGRAM NO SCALE

- ### SINGLE LINE DIAGRAM NOTES
- EXISTING MAIN SWITCHBOARD TO REMAIN. SWITCHBOARD IS 480Y/277, 3PH 4W, 1200A WITH SUFFICIENT CAPACITY FOR THE REVISED/ADDITIONAL LOAD REQUIRED BY THE SCOPE OF THIS WORK. REFER TO SITE ELECTRICAL PLAN, SHEET E101 FOR COORDINATION/REFERENCE.
  - EXISTING UTILITY COMPANY SERVICE LATERAL AND SWITCHBOARD MAIN CIRCUIT BREAKER TO REMAIN, NO WORK REQUIRED.
  - REPRESENTATIVE SUB-FEED CIRCUIT BREAKERS AND FEEDERS SERVING EXISTING LOADS SHOWN FOR CLARITY ONLY, ARE EXISTING TO REMAIN, NO WORK REQUIRED. NOT EVERY SUB-FEED INSTALLED TO EXISTING DISTRIBUTION SECTION IS SHOWN, HOWEVER, DISTRIBUTION SECTION HAS CAPACITY AND SPACE FOR ADDITIONAL CIRCUIT BREAKERS REQUIRED BY THIS SCOPE OF WORK.
  - EXISTING SUB-FEED CIRCUIT BREAKER AND TRANSFORMER PRIMARY FEEDER TO REMAIN, NO WORK REQUIRED.
  - EXISTING TRANSFORMER AND SYSTEM GROUND TO REMAIN, NO WORK REQUIRED.
  - EXISTING TRANSFORMER SECONDARY FEEDER TO REMAIN, NO WORK REQUIRED.
  - EXISTING DISTRIBUTION PANELBOARD TO REMAIN. PANELBOARD IS 208Y/120V, 3PH 4W, 600A WITH SUFFICIENT CAPACITY FOR THE REVISED/ADDITIONAL LOAD REQUIRED BY THE SCOPE OF THIS WORK. REFER TO SITE ELECTRICAL PLAN, SHEET E101 FOR COORDINATION/REFERENCE.
  - EXISTING BUILDING POWER PANEL TO REMAIN AND BE USED FOR THIS SCOPE OF WORK. PANEL IS 208Y/120V, 3PH, 4W, 225A BUSSEING WITH 150/3 MAIN CIRCUIT BREAKER AND HAS CAPACITY FOR THE ADDITIONAL LOAD REQUIRED BY THIS SCOPE OF WORK. PROVIDE NEW 60/3 CIRCUIT BREAKER PER SPECIFICATIONS (MATCH EXISTING EQUIPMENT MANUFACTURER AND I.C. RATINGS CONTRACTOR SHALL VERIFY ALL) AND INSTALL IN SPACE AVAILABLE IN EXISTING DISTRIBUTION SECTION. RUN 1-1/4" C. #4 CU THIN + 1 #10 CU GROUND TO NEW PANEL AND CONNECT.
  - EXISTING SUB-FEED CIRCUIT BREAKER, FEEDER AND PANELBOARDS TO REMAIN, SHOWN FOR CLARITY ONLY. NO WORK REQUIRED, TYPICAL UNLESS NOTED OTHERWISE.
  - PROVIDE NEW PANEL PER SPECIFICATIONS AND INSTALL PER 2/E4.01. REFER TO PANEL SCHEDULE THIS SHEET FOR COORDINATION/REFERENCE.

NEMA RATING: 1		PANEL 'GA'			LOCATION: STAGE												
CKT #	BRK	MISC. SPACE	HVAC	LVS	REGS.	CKT. KVA	PHASE KVA			LOCATION/DESCRIPTION	CKT. KVA	REGS.	HVAC	MISC. SPACE	BRK	CKT #	
							ΦA	ΦB	ΦC								
1	20				X	1.000				2.000							2
3	20				X	1.000					2.000						4
5	20				X	1.000					2.000						6
7	20				X	1.000				2.000							8
9	20				X	1.000					2.000						10
11	20				X	1.000					2.000						12
13	20				X	0.300				0.600							14
15	20				X	0.300					1.020						16
17	20				X	0.120					1.440						18
19	20				X	0.120				1.620							20
21	20				X	0.400					1.050						22
23	20				X	0.200					0.700						24
25	20				X	0.900				1.800							26
27	20				X	0.600					1.100						28
29	20					0.000					0.000						30
31	20					0.000				0.000							32
33	20					0.000					0.000						34
35	20					0.000					0.000						36
37	20					0.000				4.300							38
39	20					0.000					4.285						40
41	20					0.000					2.241						42
EXISTING BREAKER ALC. RATING							LCL	1.555	1.518	1.410	208Y/120VOLTS 3 Ø 4 WIRE	EXISTING RATED NEUTRAL					
EXISTING MAXIMUM ENCLOSURE DEPTH							TOTAL KVA	13.875	12.473	4.741	60 A BUS AMPACITY	60/3 MAIN BREAKER					
EXISTING MOUNTING PER							N/A	TOTAL AMPS	115.63	108.10	81.64	42 CIRCUIT INTERIOR	EXISTING	LUGS			

NEMA RATING: 1		PANEL 'GAB'			LOCATION: VESTIBULE RM 100												
CKT #	BRK	MISC. SPACE	HVAC	LVS	REGS.	CKT. KVA	PHASE KVA			LOCATION/DESCRIPTION	CKT. KVA	REGS.	HVAC	MISC. SPACE	BRK	CKT #	
							ΦA	ΦB	ΦC								
1	20				X	0.300				3.120							2
3	20				X	0.360					3.480						4
5	20	X				0.230				0.811							6
7	20	X				0.805				0.805							8
9	20	X				0.805					0.805						10
11	20	X				0.805					1.305						12
13	20					0.000				0.000							14
15	20					0.000				0.000							16
17	20					0.000					0.000						18
19	20					0.000				0.000							20
21	20					0.000					0.000						22
23	20					0.000					0.000						24
10.000 BREAKER ALC. RATING							LCL	0.075	0.000	0.125	208Y/120VOLTS 3 Ø 4 WIRE	100% RATED NEUTRAL					
3.15" MAXIMUM ENCLOSURE DEPTH							TOTAL KVA	4.300	4.285	2.241	60 A BUS AMPACITY	60/3 MAIN BREAKER					
FLUSH MOUNTING PER							2/E4.01	TOTAL AMPS	35.83	35.11	18.73	24 CIRCUIT INTERIOR	STANDARD	LUGS			



**WE**  
WATERS ENGINEERING, INC.  
Consulting Electrical Engineer  
P.O. BOX 680  
Vista, California 92083-0680  
Telephone (619) 733-4783  
Facsimile (619) 733-4759  
E-mail: waterseng@comcast.net

Ownership of Documents  
This document, the ideas and designs incorporated herein, as an instrument of Professional Service is the property of Integrated Designs by SOMAM, Inc. and is not to be used, in whole or in part for any other project without written authorization. © COPYRIGHT 2012

**integrated designs** by SOMAM, Inc.  
ARCHITECTURE • ENGINEERING • INTERIOR DESIGN • CONSTRUCTION MANAGEMENT  
8011 N. Fremont, Suite 130 - Fresno, California 93710  
Phone (559) 438-9881 Fax (559) 438-9887 E-Mail: design@somam.com  
www.integrateddesigns.com

Rev. Date: \_\_\_\_\_  
Revision: \_\_\_\_\_  
Rev. Date: \_\_\_\_\_  
Revision: \_\_\_\_\_  
Rev. Date: \_\_\_\_\_  
Revision: \_\_\_\_\_

**SINGLE LINE DIAGRAM AND DETAILS**  
Project Name & Address:  
**MT. VERNON ELEMENTARY SCHOOL KITCHEN ADDITION**  
BAKERSFIELD CITY SCHOOL DISTRICT  
2161 POPTOMAC AVENUE BAKERSFIELD CA.

Issue Date: \_\_\_\_\_  
Date: 07/19/12  
Designer: VWW  
DR: VWW  
PC: CJM

DSA Identification Stamp:  
FILE #: 15-6  
IDENTIFICATION STAMP  
DIV. OF THE STATE ARCHITECT  
OFFICE OF REGULATION SERVICES  
03-114521  
AC: \_\_\_\_\_ FLS: \_\_\_\_\_ SS: \_\_\_\_\_  
DATE: 5/11/12  
TRACKING #: \_\_\_\_\_

Stamp(s):

Job No.: **3990**  
Sheet No.: **E4.01**  
Release: \_\_\_\_\_