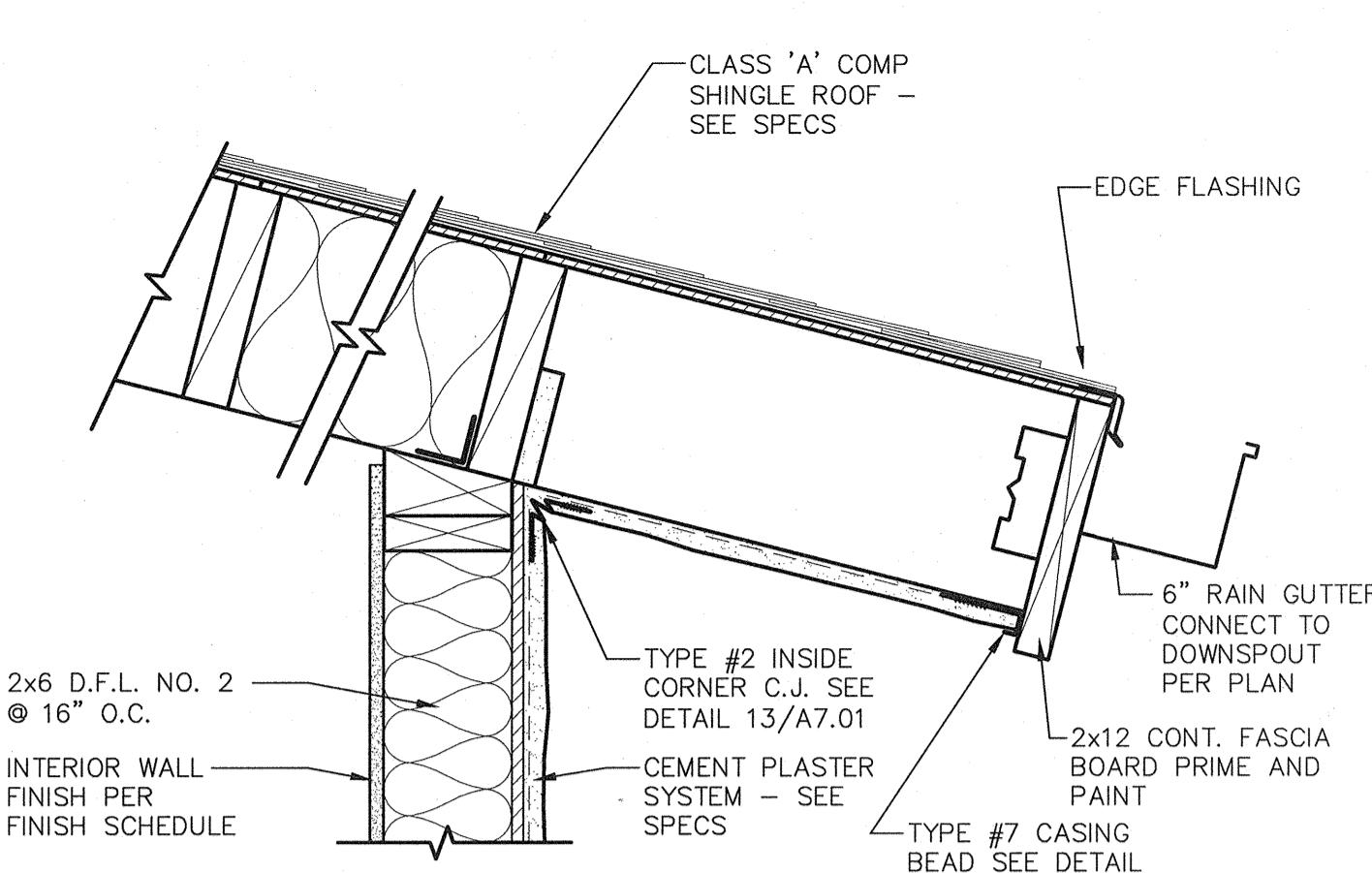
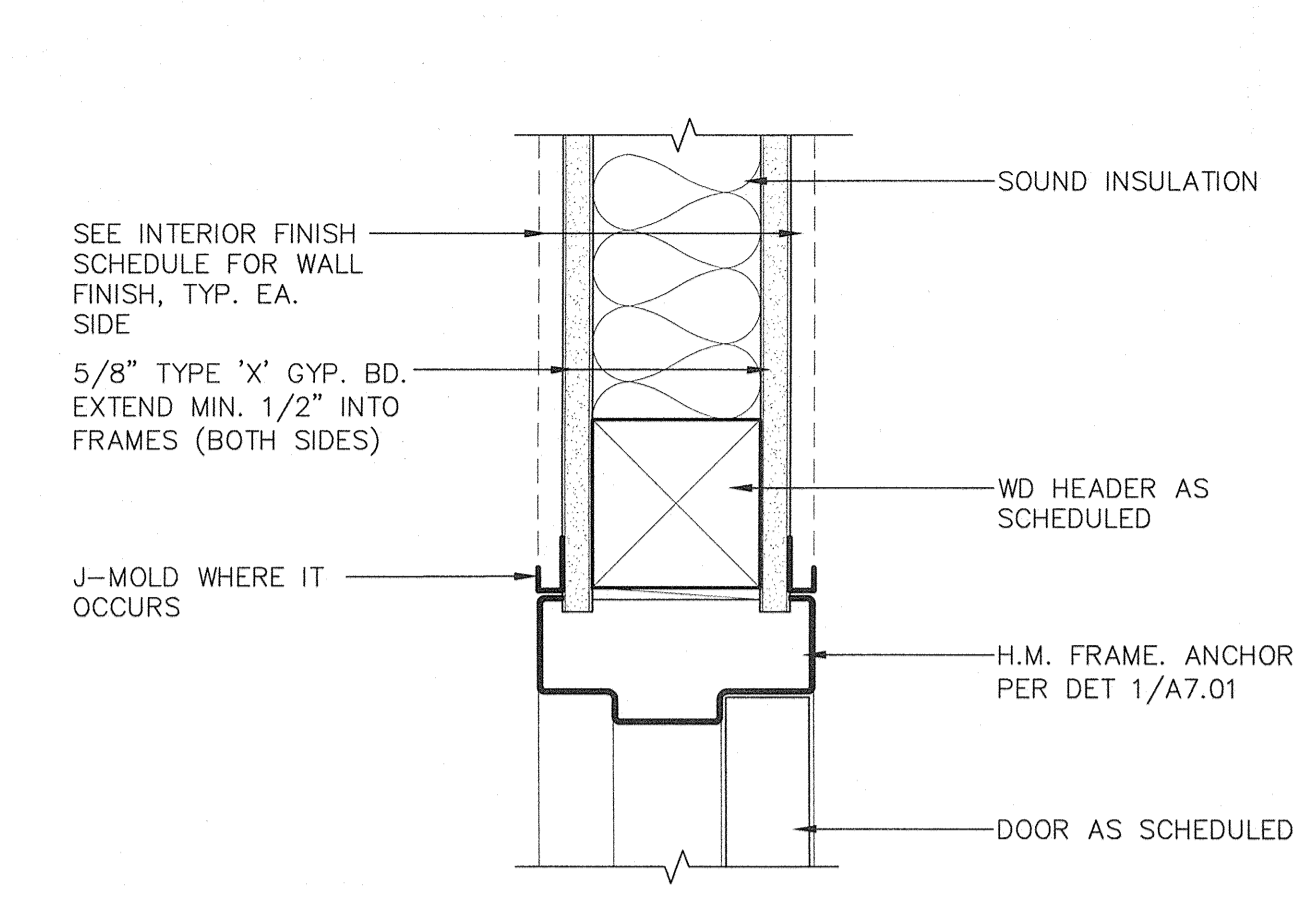


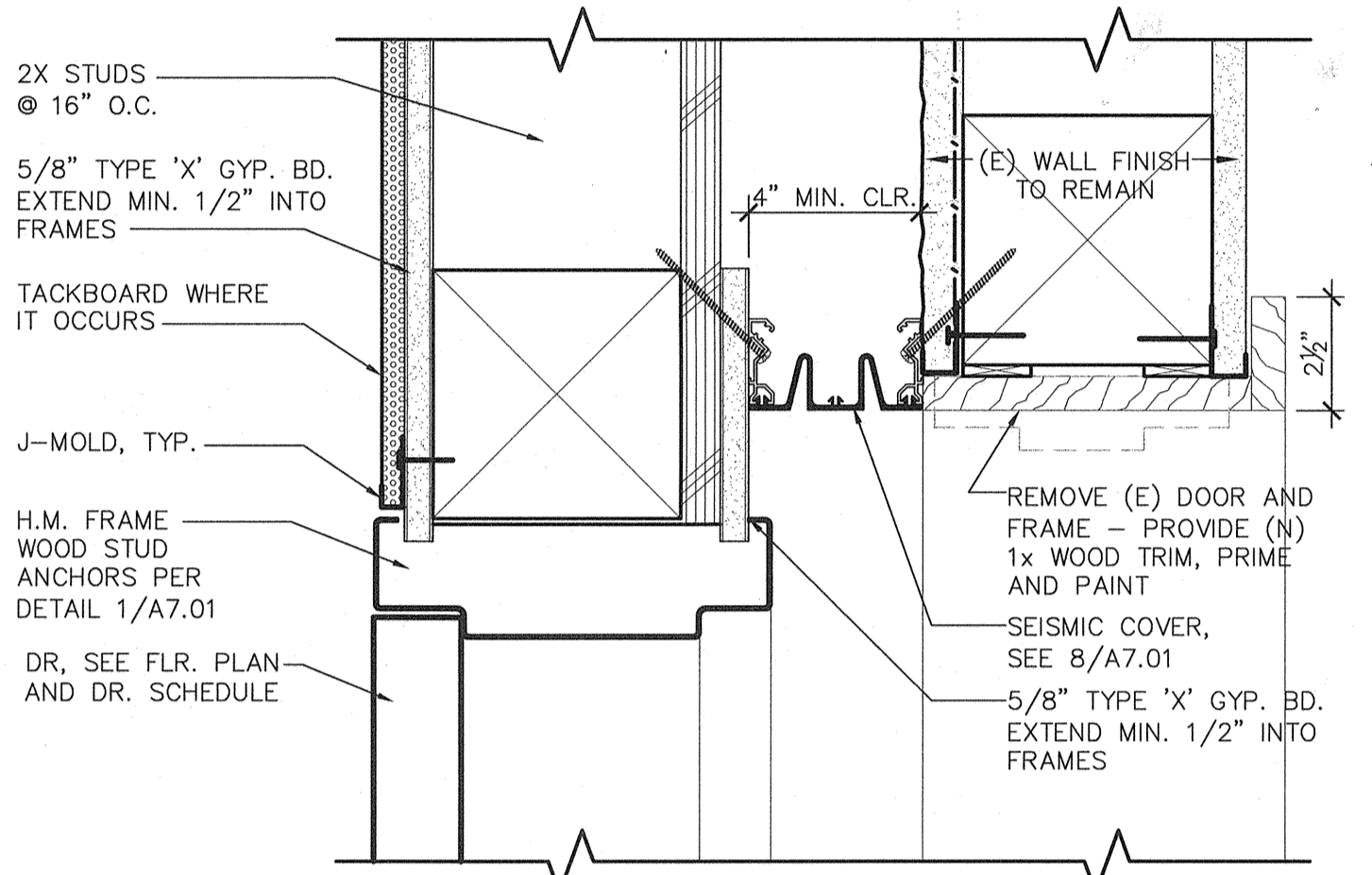
**9 CEILING CONNECTION @ (E) STAGE**  
 A8.01 SCALE: 1 1/2" = 1'-0"



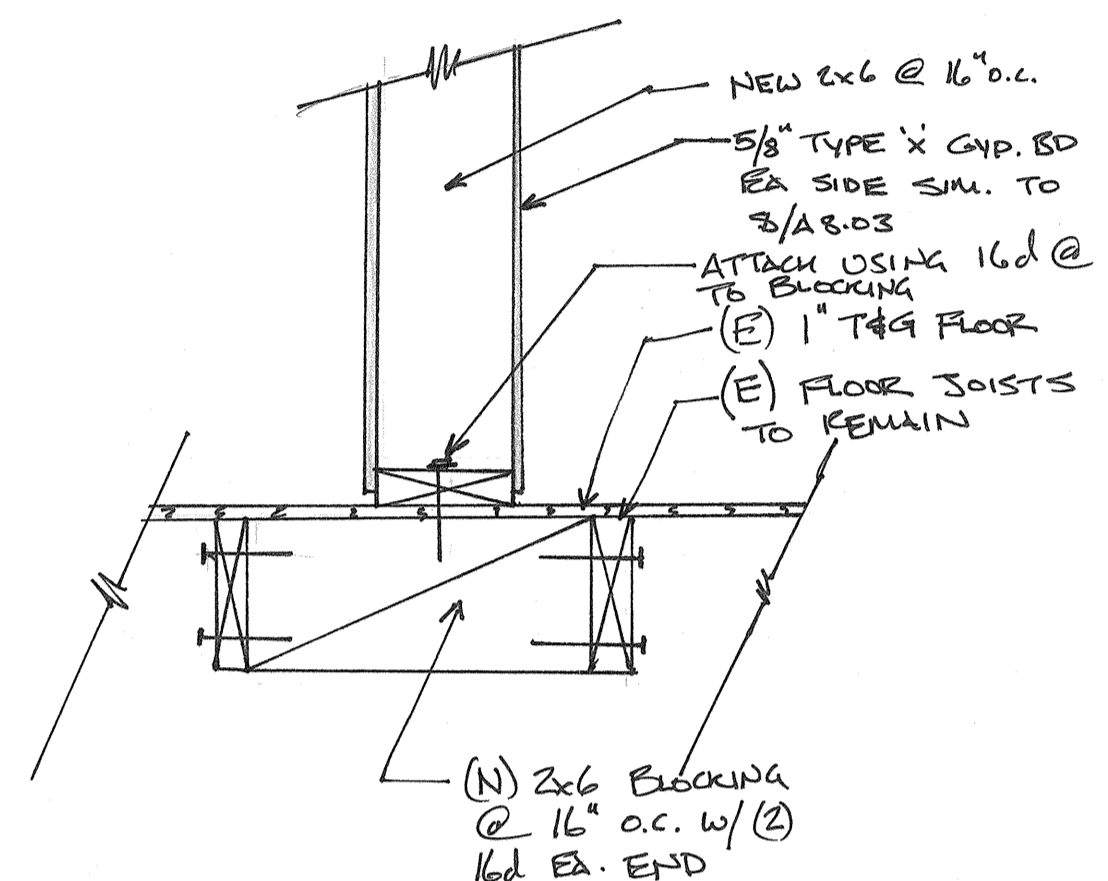
**5 LOW EAVE**  
 A8.01 ADW141-05 SCALE: 1 1/2" = 1'-0"



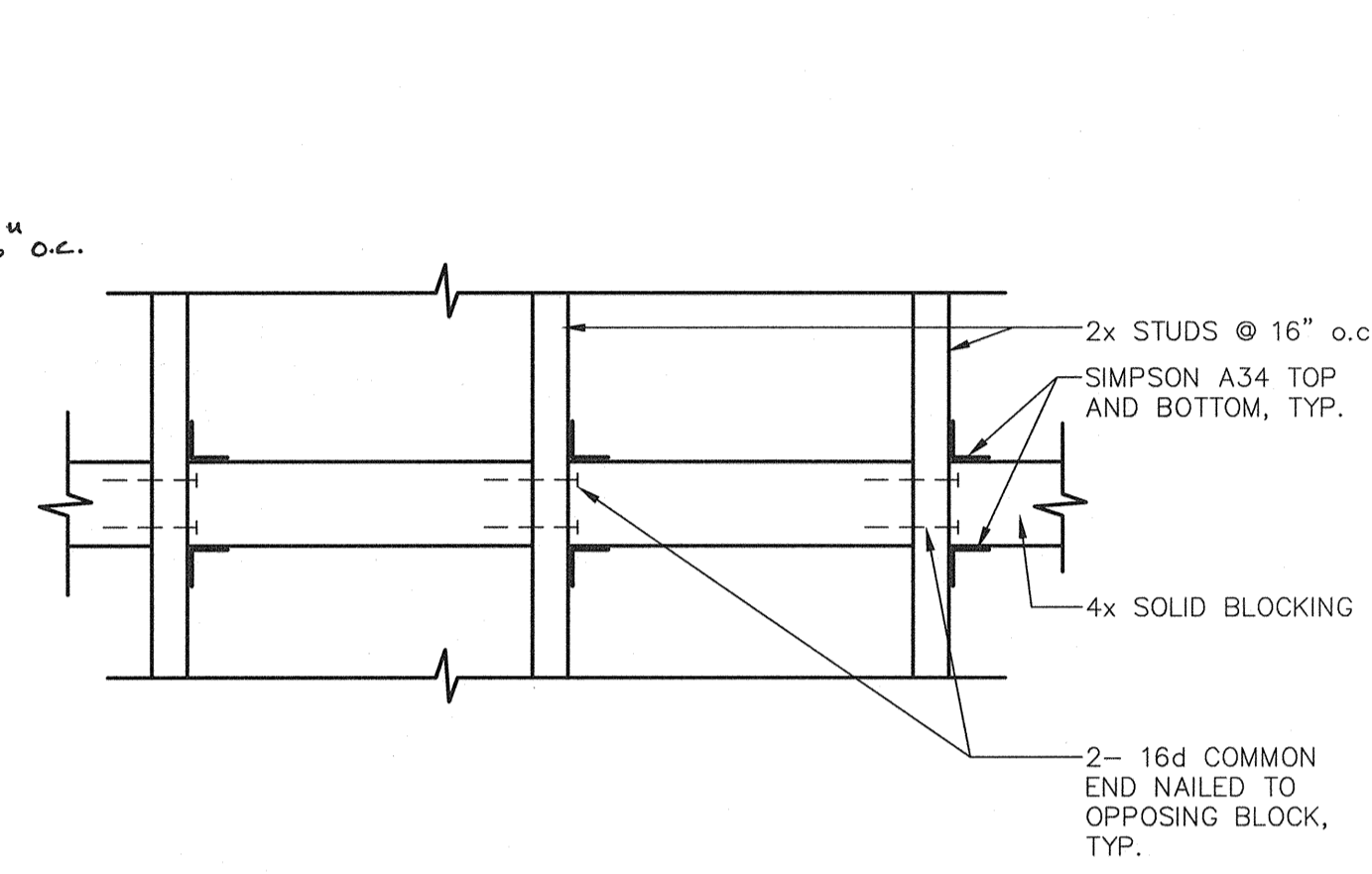
**1 INTERIOR H.M. FRAME DOOR HEAD**  
 A8.01 ADD245-01 SCALE: 3" = 1'-0"



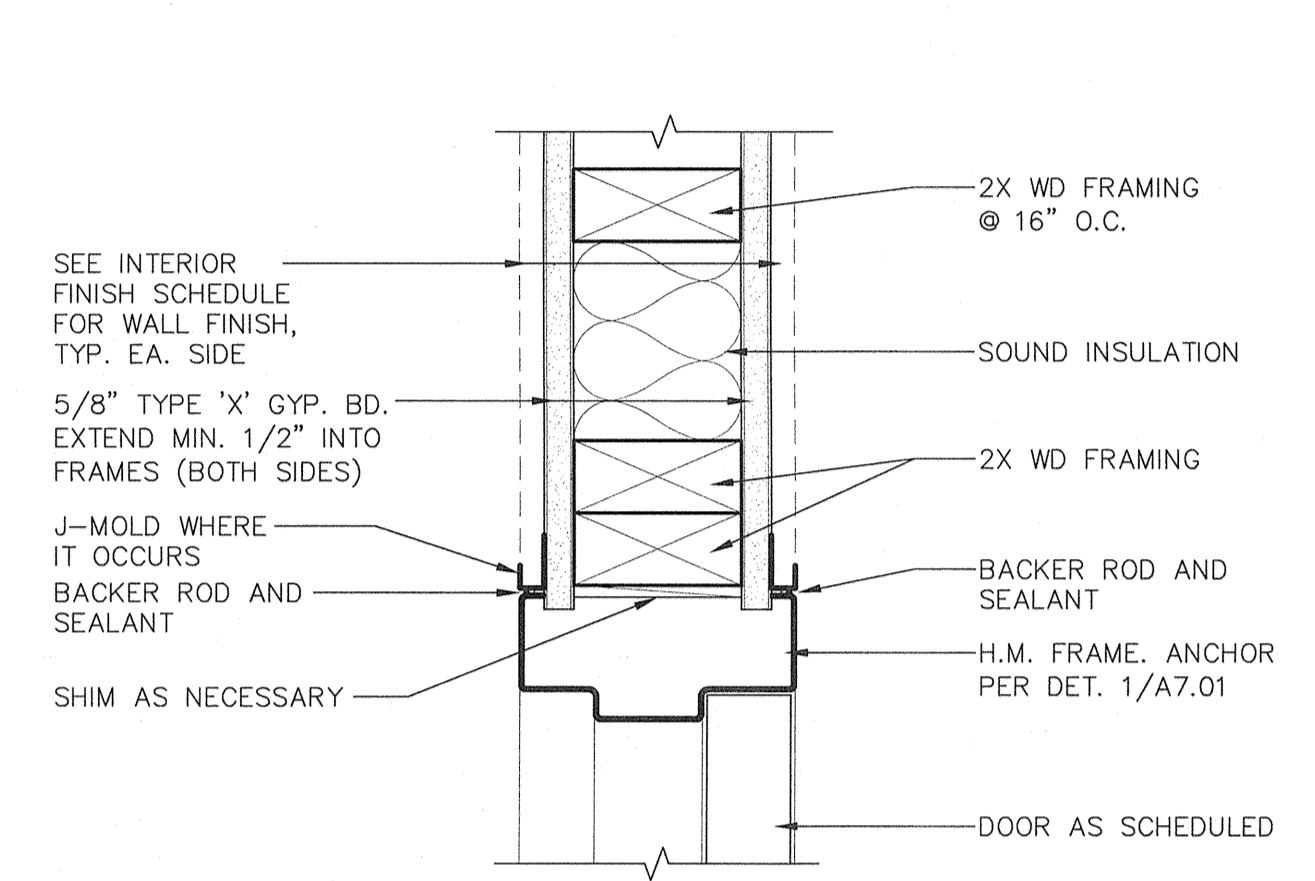
**14 DOOR HEAD SEISMIC JOINT**  
 A8.01 ADD141-10 SCALE: 3" = 1'-0"



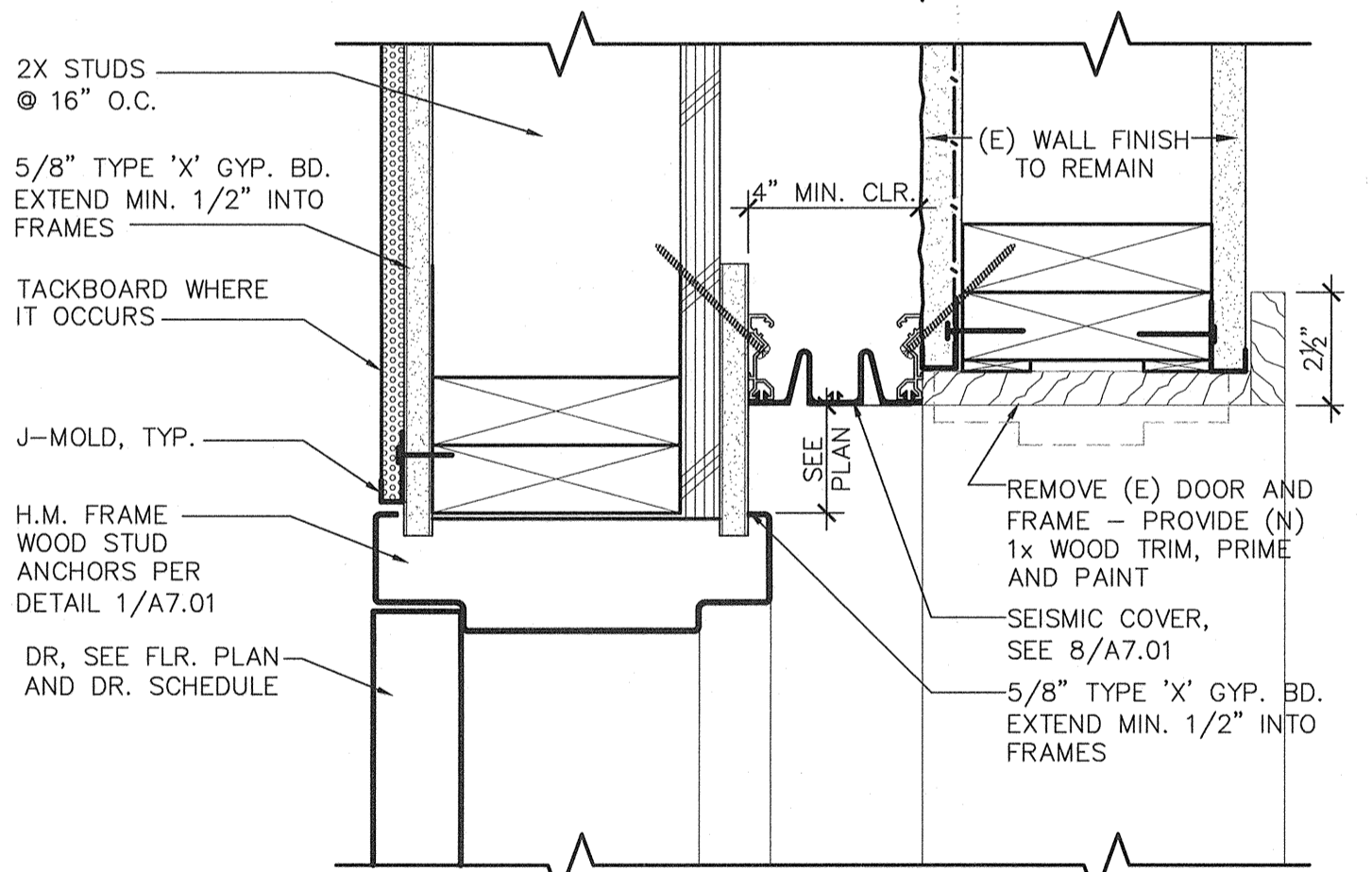
**10 FLOOR CONNECTION @ (E) STAGE**  
 A8.01 SCALE: 1 1/2" = 1'-0"



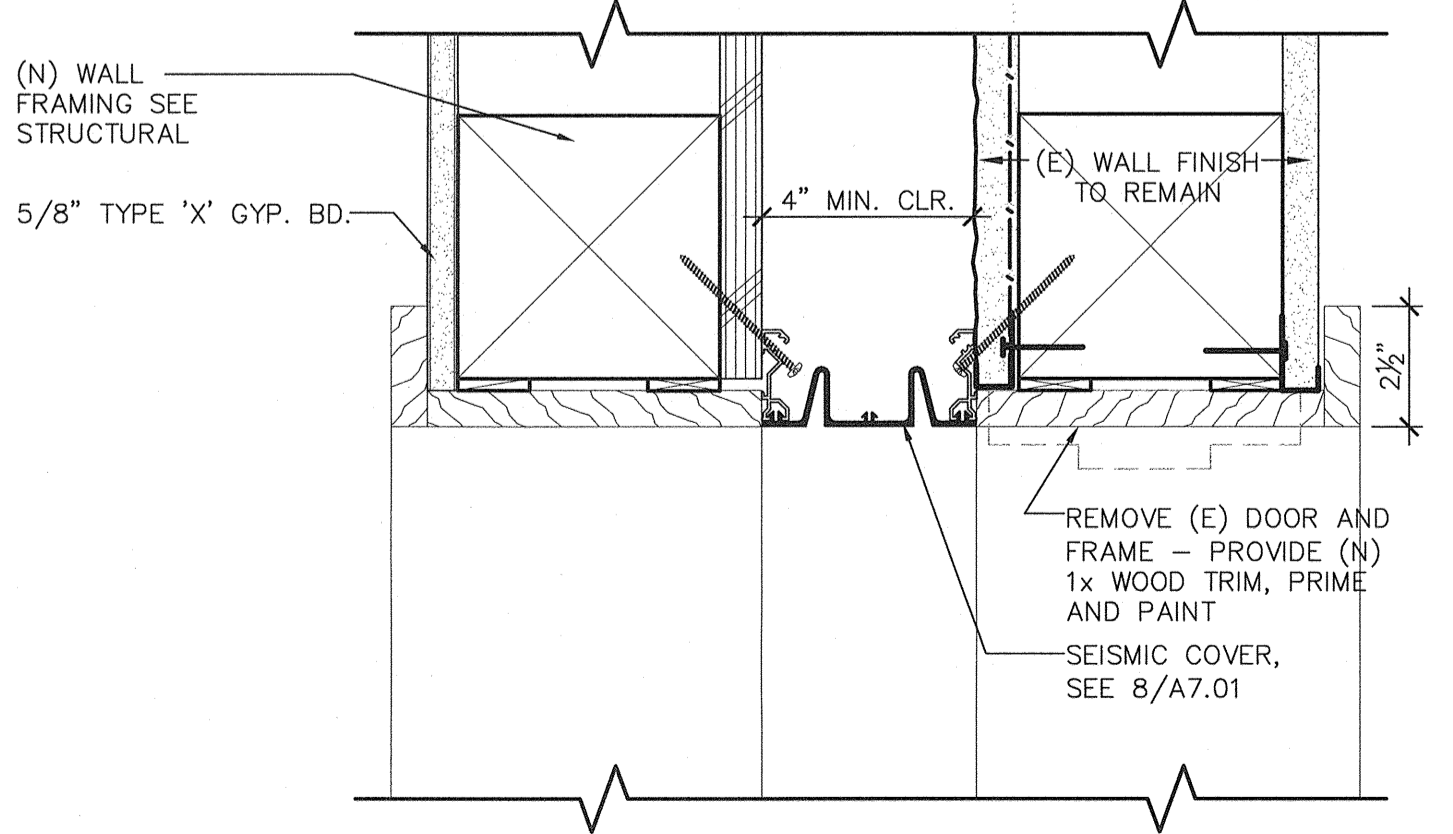
**6 TYPICAL BACKING @ WOOD STUDS**  
 A8.01 ADW244-03 SCALE: 1 1/2" = 1'-0"



**2 INTERIOR H.M. FRAME DOOR JAMB**  
 A8.01 ADD245-02 SCALE: 3" = 1'-0"



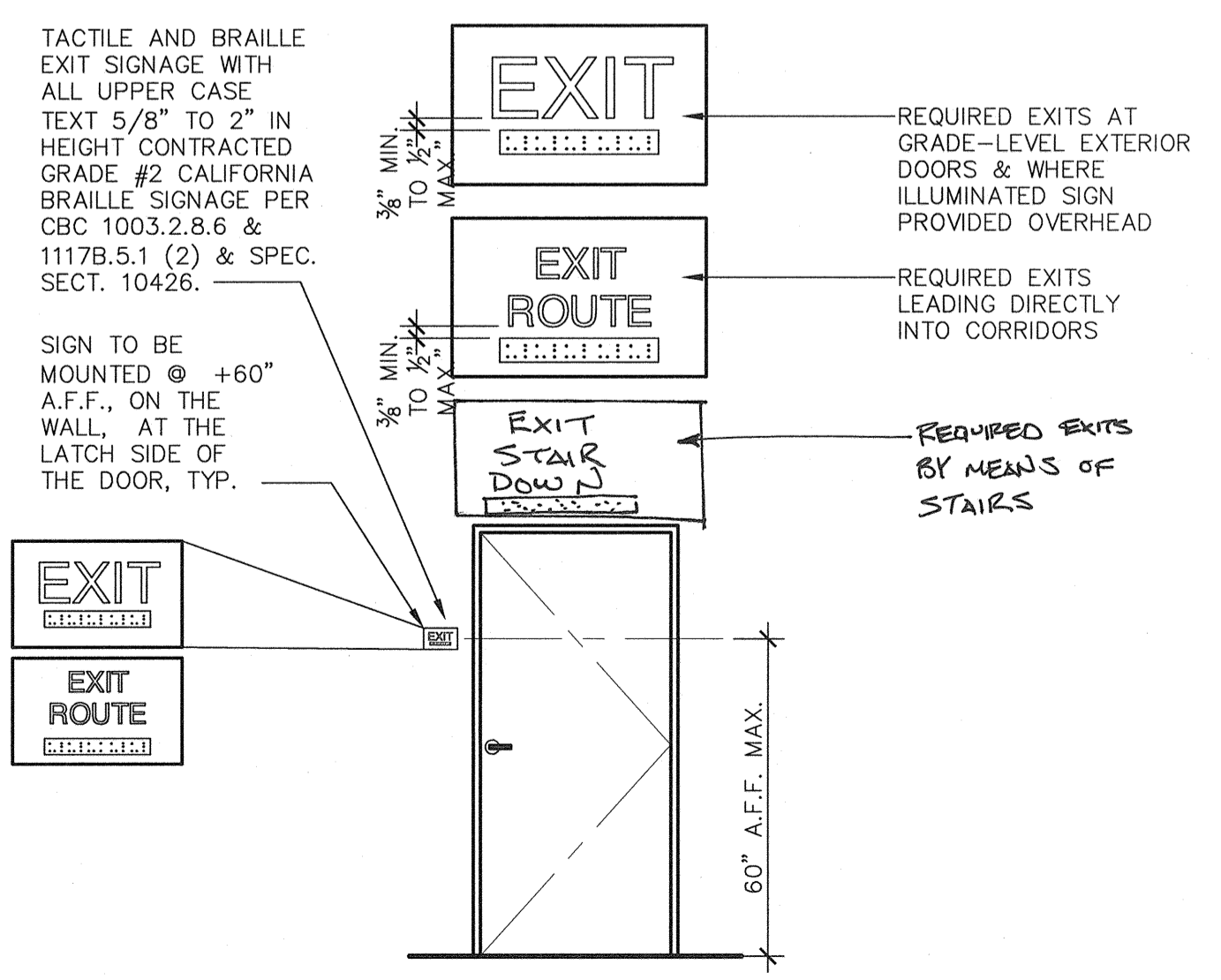
**15 DOOR JAMB SEISMIC JOINT**  
 A8.01 ADD141-11 SCALE: 3" = 1'-0"



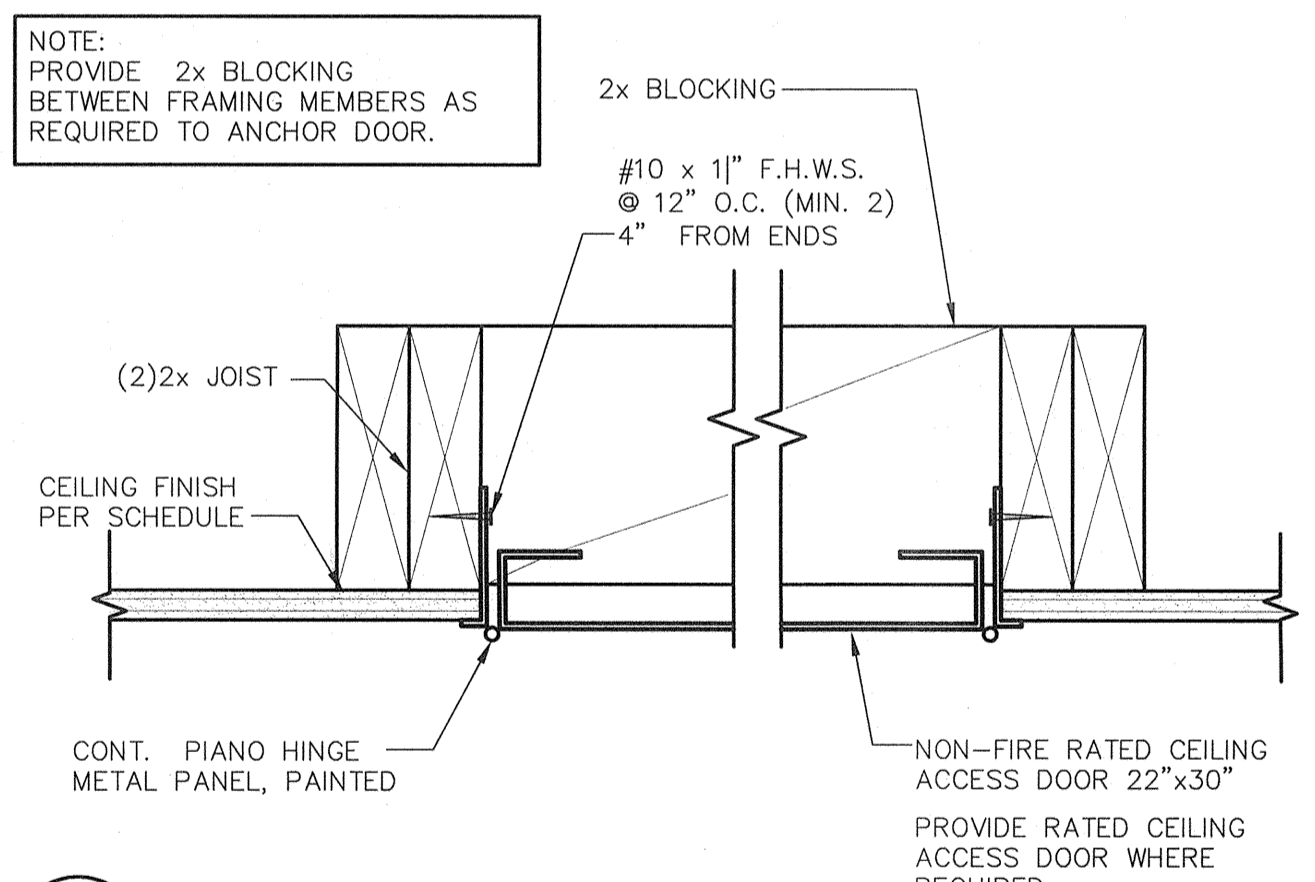
**16 CASIED OPENING SEISMIC COVER HEAD (JAMB SIM)**  
 A8.01 ADD141-12 SCALE: 3" = 1'-0"

**NOTES:**

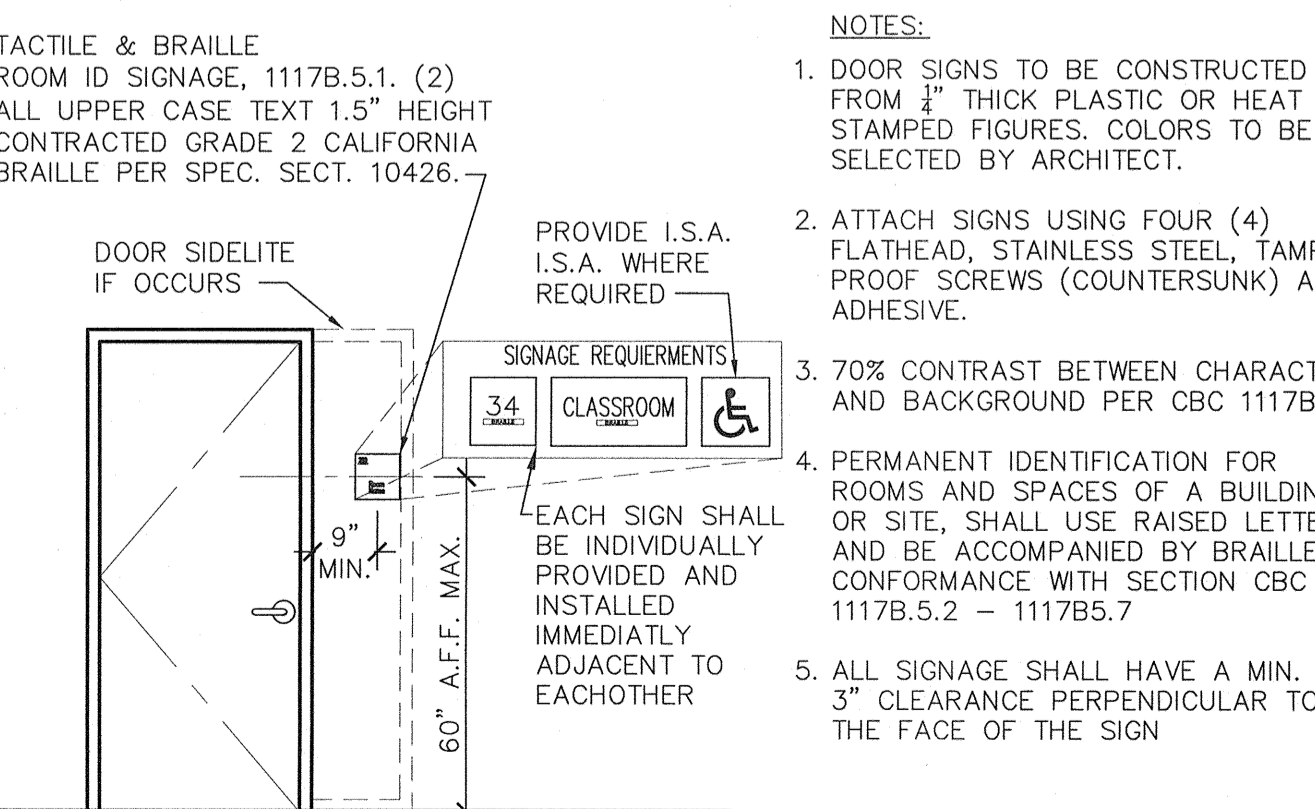
- DOOR SIGNS TO BE CONSTRUCTED FROM 1/4" THICK PLASTIC OR HEAT STAMPED FIGURES. COLORS TO BE SELECTED BY ARCHITECT.
- ATTACH SIGNS USING FOUR (4) FLATHEAD, STAINLESS STEEL, TAMPER PROOF SCREWS, (COUNTERSUNK) AND ADHESIVE.
- 70% CONTRAST BETWEEN CHARACTERS AND BACKGROUND PER CBC 1117B.5.2



**8 TYPICAL EXTERIOR DOOR SIGNAGE**  
 A8.01 ADA200-13 SCALE: 3/8" = 1'-0"



**3 CEILING ACCESS DOOR**  
 A8.01 ADC234-05 SCALE: 3" = 1'-0"



**4 ROOM ID SIGNAGE**  
 A8.01 ADA100-25 BCSD SCALE: N.T.S.

Ownership of Documents  
 This document, the ideas and designs incorporated herein, as an instrument of Professional Service is the property of Integrated Design by SOMAM Inc. and is not to be used, in whole or in part for any other project without written authorization.  
 © COPYRIGHT 2012

**integrated designs** by SOMAM, Inc.  
 ARCHITECTURE - ENGINEERING - INTERIOR DESIGN - CONSTRUCTION MANAGEMENT  
 601 N. Fresno, Suite 130 - Fresno, California 93710  
 Phone (559) 436-0887 Fax (559) 436-0887 E-mail: design@somam.com  
 www.integrateddesign.com

**INTERIOR DETAILS**

**MT. VERNON ELEMENTARY SCHOOL KITCHEN ADDITION**  
 BAKERSFIELD CITY SCHOOL DISTRICT  
 2161 POTOMAC AVENUE BAKERSFIELD CA.

Issue Date: 07/20/12  
 Date: 07/31/12  
 Designer: [Signature]  
 DR: [Signature]  
 PC: CJM

Agency Approval Stamp:  
 FILE # 15-6  
 IDENTIFICATION STAMP  
 DIV. OF THE STATE ARCHITECT  
 OFFICE OF REGULATION SERVICES  
 03-114521  
 AC [Signature] FL [Signature] SS [Signature]  
 DATE 8/1/12  
 TRACKING #: 63321-118

Job No.: **3990**

Sheet No.: **A8.01**

Release: -