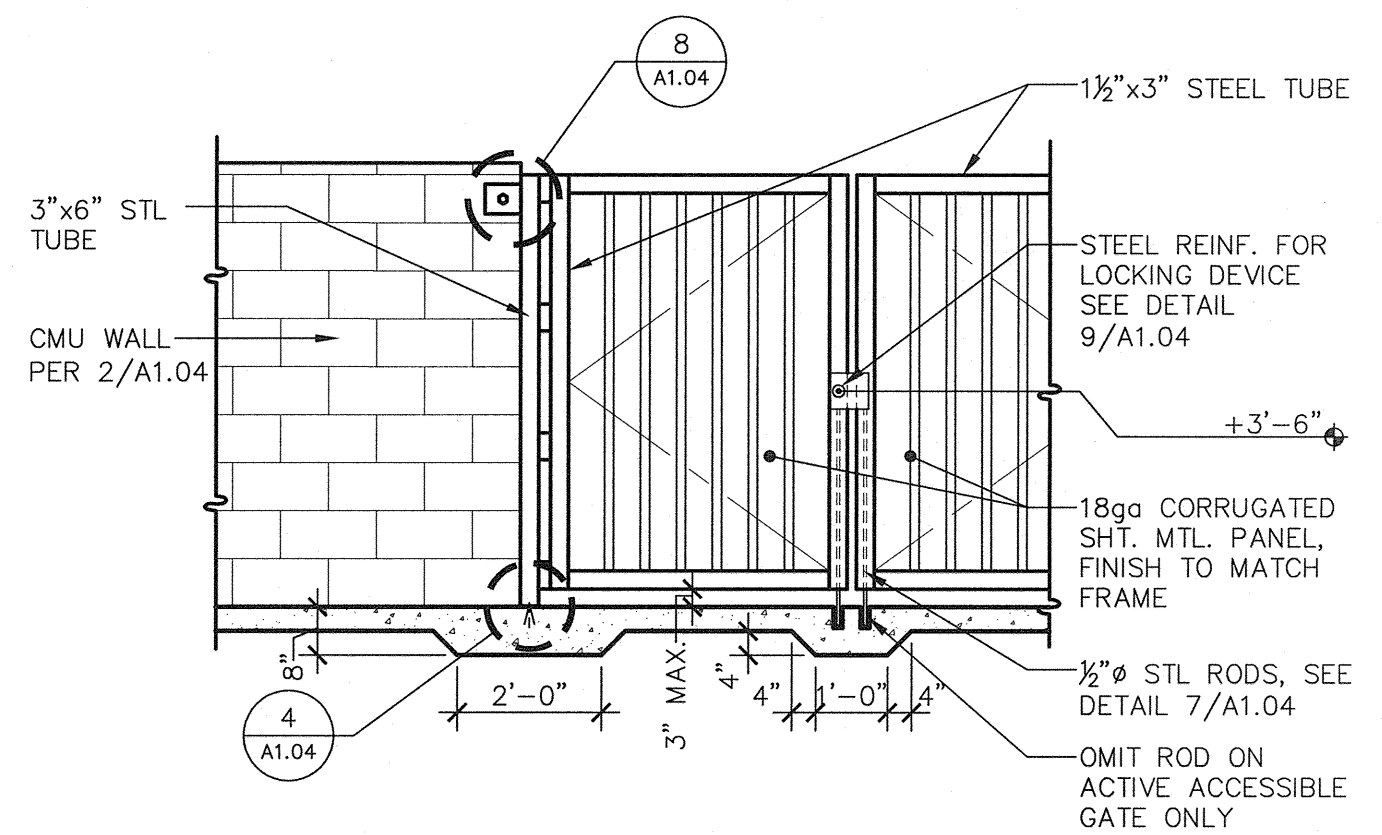
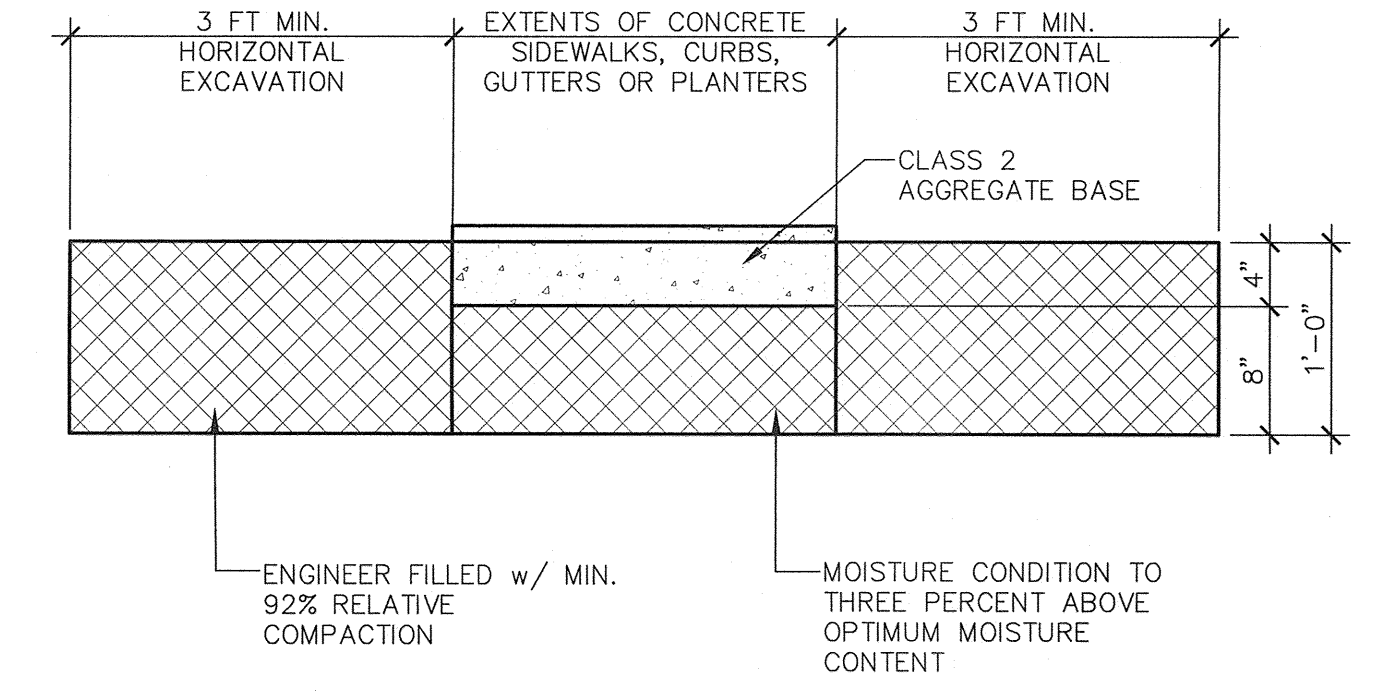


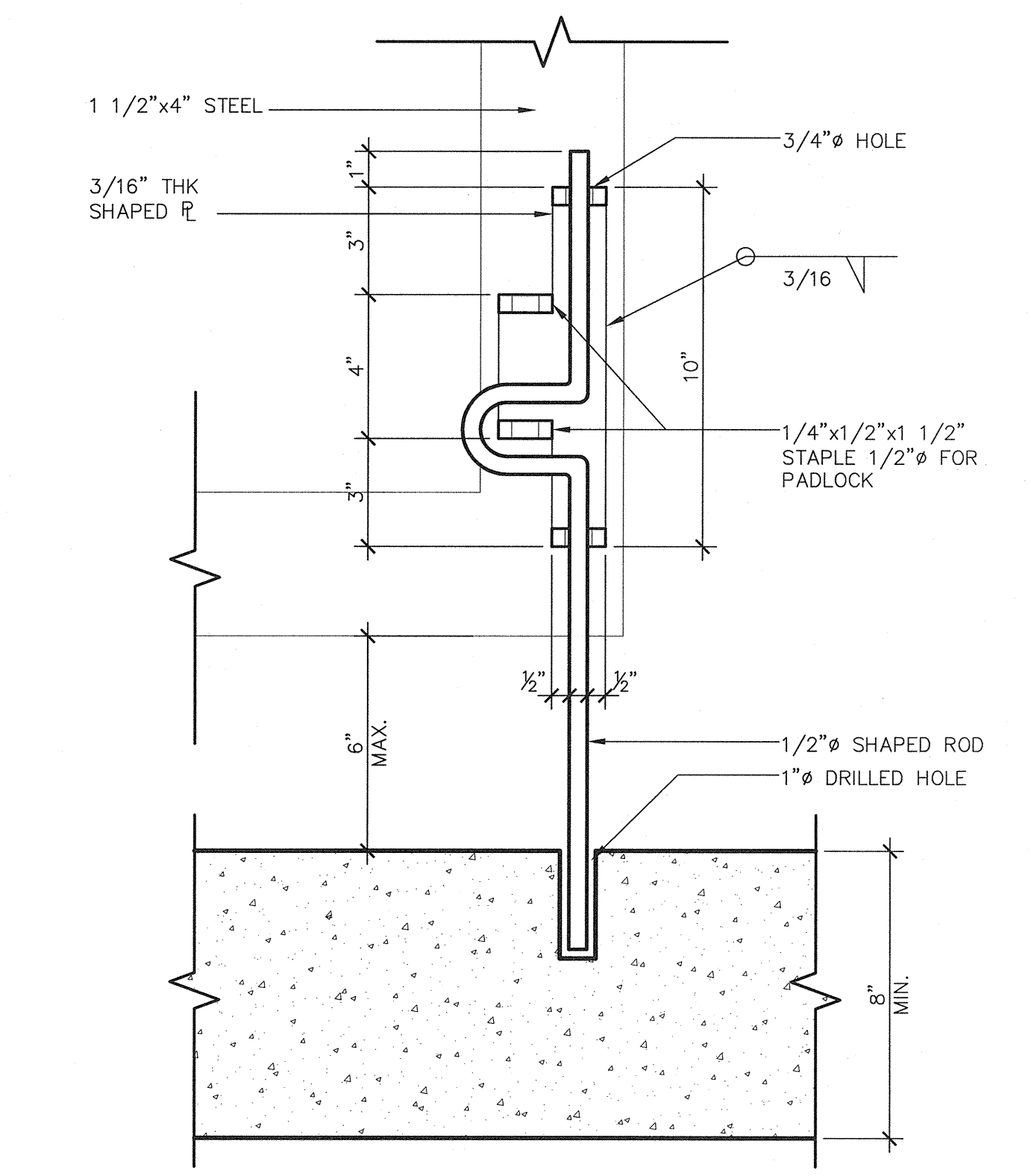
9 LOCKING DEVICE @ GATE
 A1.04 ADS100-39 SCALE: 3" = 1'-0"



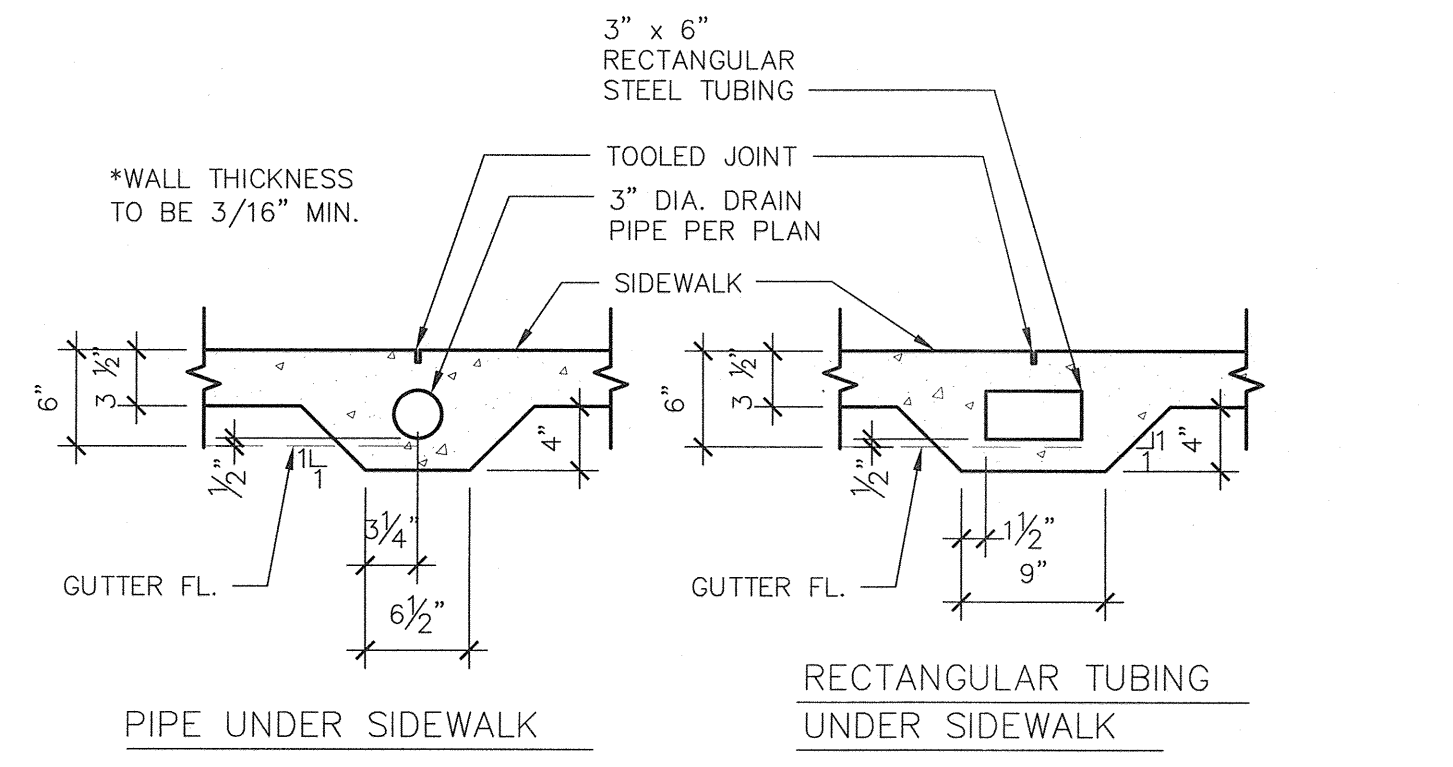
5 TUBE STEEL GATE @ CMU WALL
 A1.04 ADS100-44 SCALE: 3/8" = 1'-0"



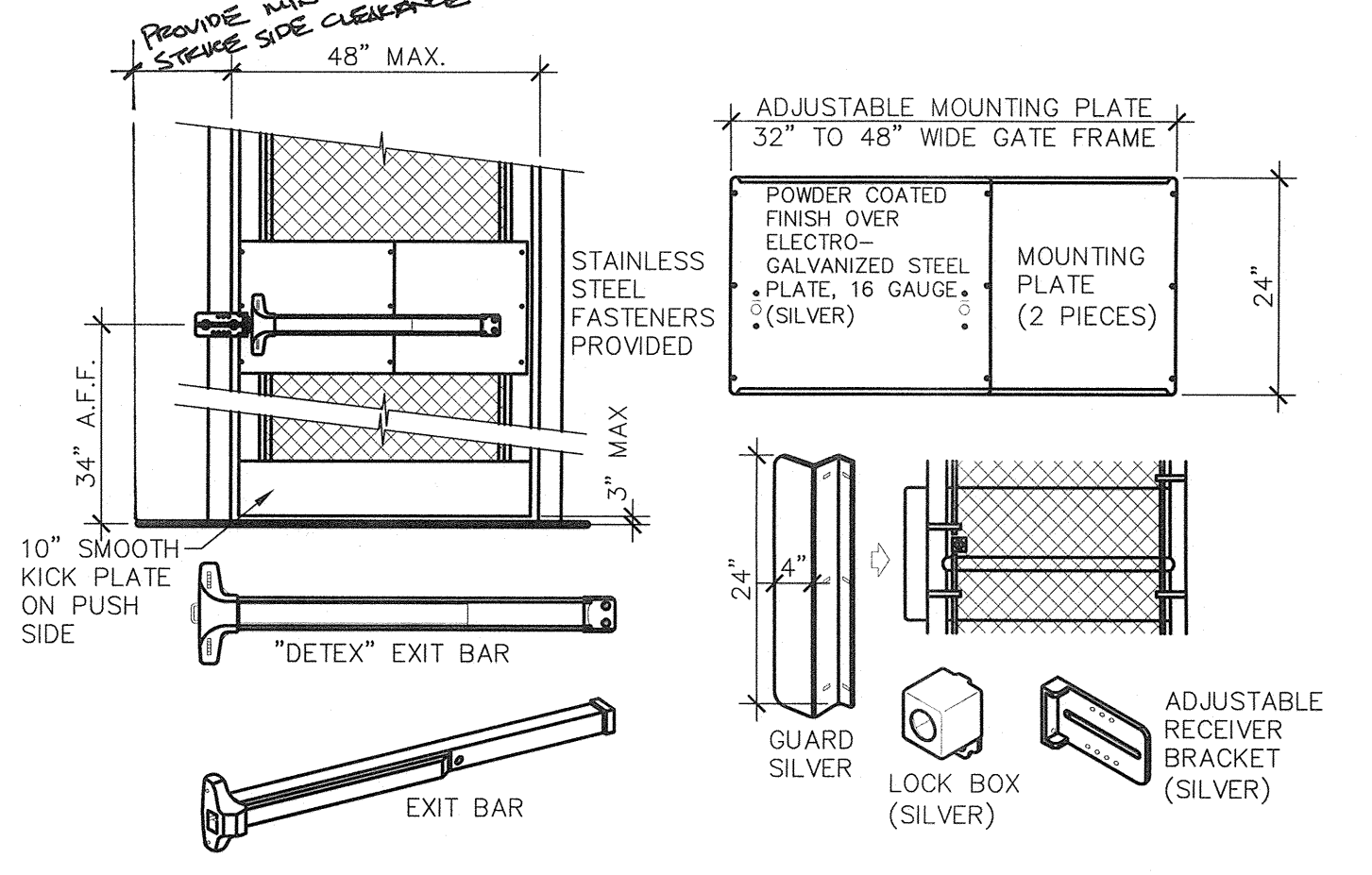
1 OVER EXCAVATION REQUIREMENTS
 A1.04 ADS100-06 SCALE: 1" = 1'-0"
 FOR SIDEWALKS, CURB, GUTTERS, AND PLANTERS



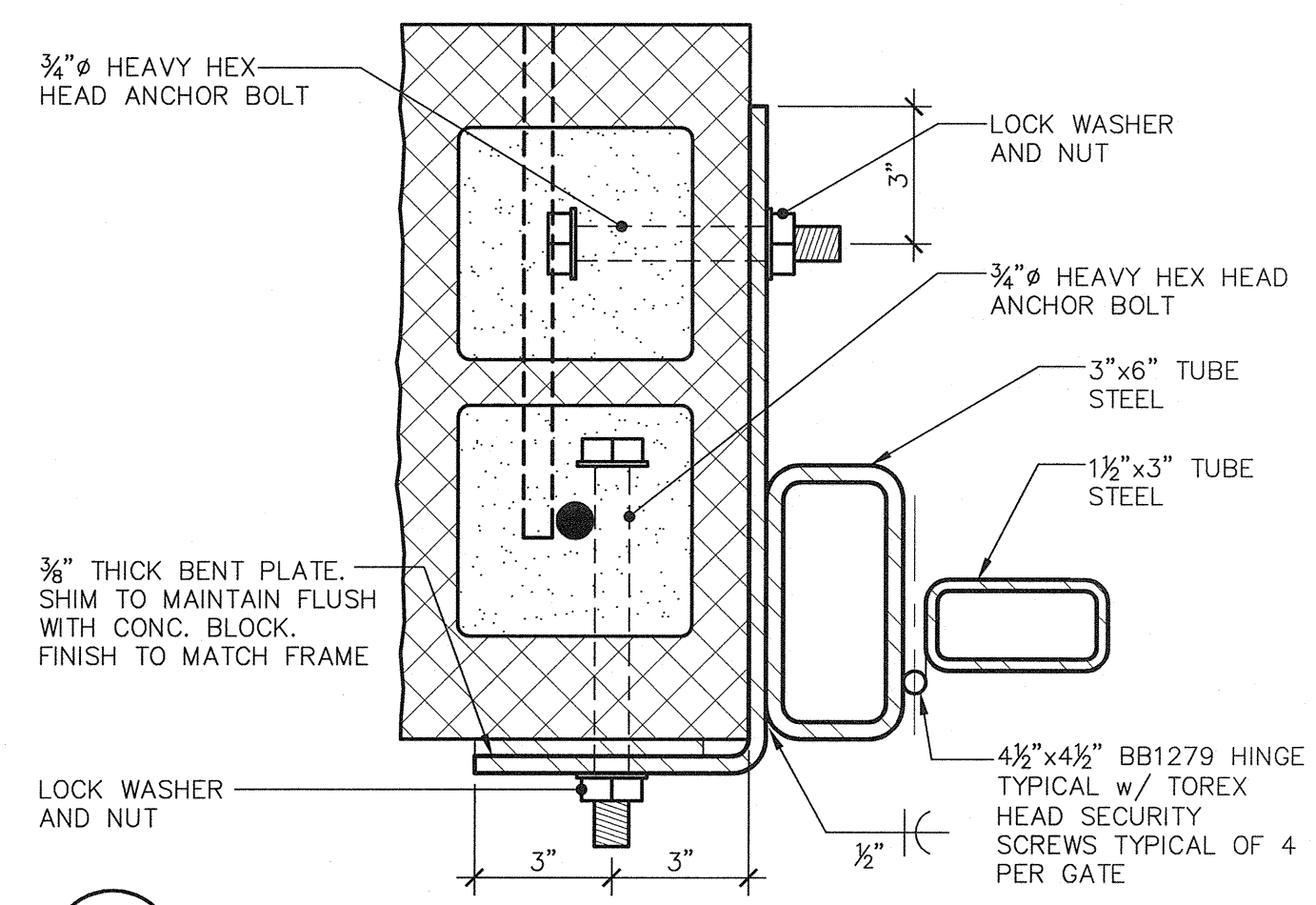
7 SLIDE BOLT DETAIL
 A1.04 ADS120-02 SCALE: 3" = 1'-0"



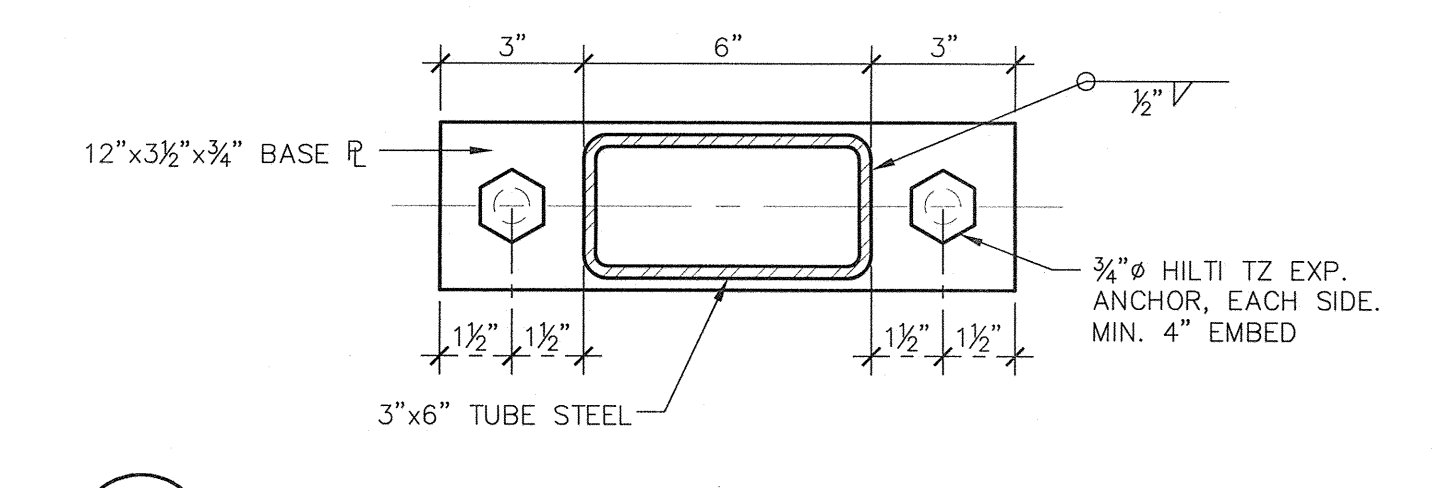
2 DETAIL OF SIDEWALK DRAINS
 A1.04 ADS100-12 SCALE: 1" = 1'-0"
 PROVIDE MAX. 24" STAKE SIDE CLEARANCE 48" MAX.



3 PANIC HARDWARE AT GATE
 A1.04 ADY100-02 SCALE: 1 1/2" = 1'-0"



8 GATE HINGE @ CMU WALL
 A1.04 ADS120-06 SCALE: 3" = 1'-0"



4 BASE PLATE @ TUBE STEEL POST
 A1.04 ADQ130-01 SCALE: 3" = 1'-0"

Ownership of Documents
 This document, the ideas and designs incorporated herein, as an instrument of Professional Service is the property of Integrated Design by SOMAM Inc. and is not to be used, in whole or in part for any other project without written authorization.
 © COPYRIGHT 2012

Integrated designs by SOMAM, Inc.
 ARCHITECTURE - ENGINEERING - INTERIOR DESIGN - CONSTRUCTION MANAGEMENT
 6011 N. Fresno, Suite 130 - Fresno, California 93710
 Phone (559) 438-0881 Fax (559) 438-0887 E-Mail: design@somam.com
 www.integrateddesignsna.com

Rev. No.	Date	Description

SITE DETAILS

Project Name & Address:
MT. VERNON ELEMENTARY SCHOOL KITCHEN ADDITION
 BAKERSFIELD CITY SCHOOL DISTRICT
 2161 POTOMAC AVENUE BAKERSFIELD CA.

Sheet Title:
SITE DETAILS

Issue Date: 07/20/12
 Date: 07/30/12
 Designer: [Signature]
 DR: [Signature]
 PC: CJM

Agency Approval Stamp:
 FILE # 15-6
 IDENTIFICATION STAMP
 DIV. OF THE STATE ARCHITECT
 OFFICE OF REGULATION SERVICES
 03-114521
 AC [Signature] FLS [Signature] SS [Signature]
 DATE [Signature]
 TRACKING #: 63321-118

Stamp(s):

Job No.: **3990**

Sheet No.: **A1.04**

Release: -

G:\2011\11-3990\Sheets\3990-A104.dwg CURTIS MCNALLY