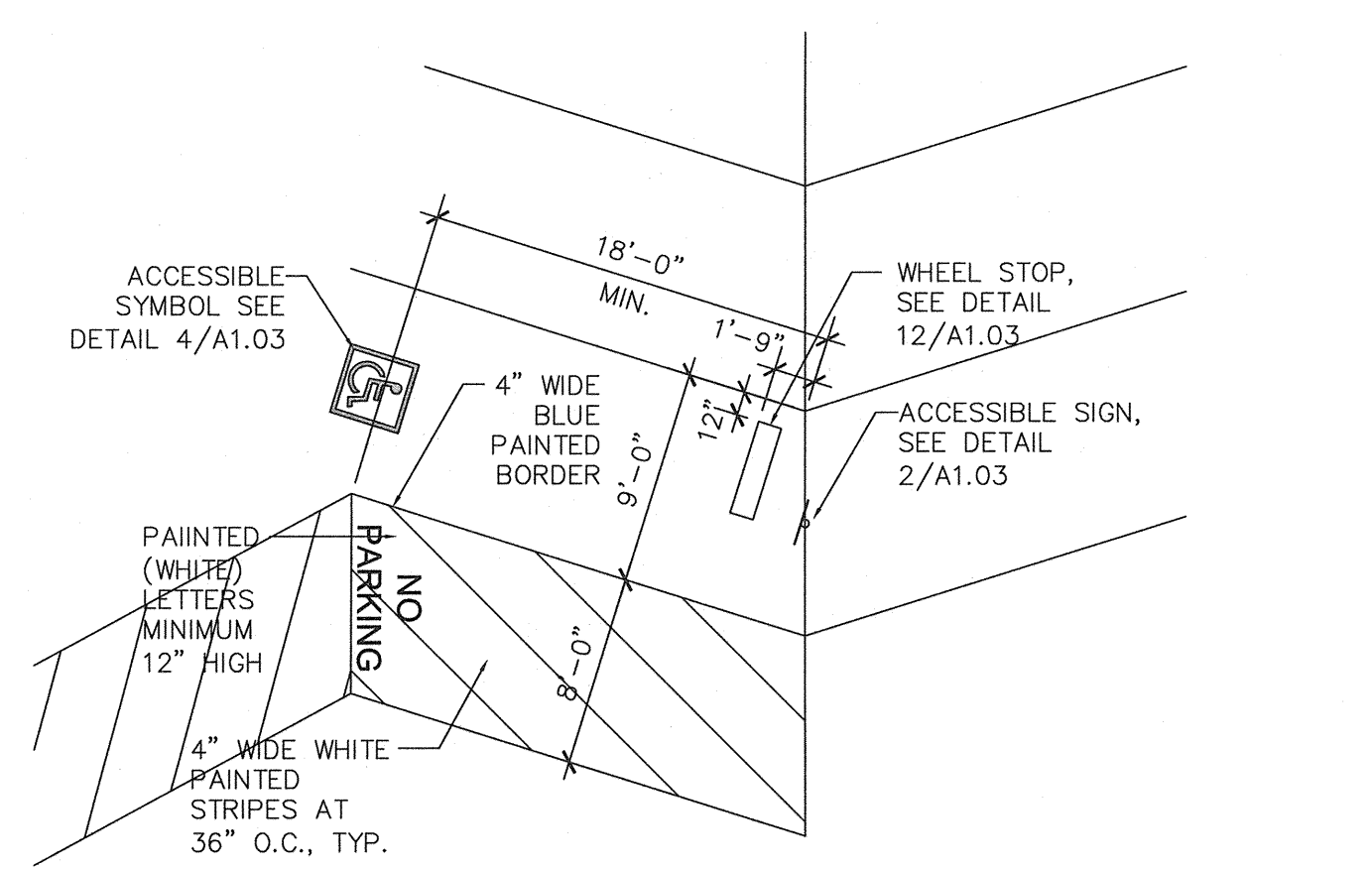
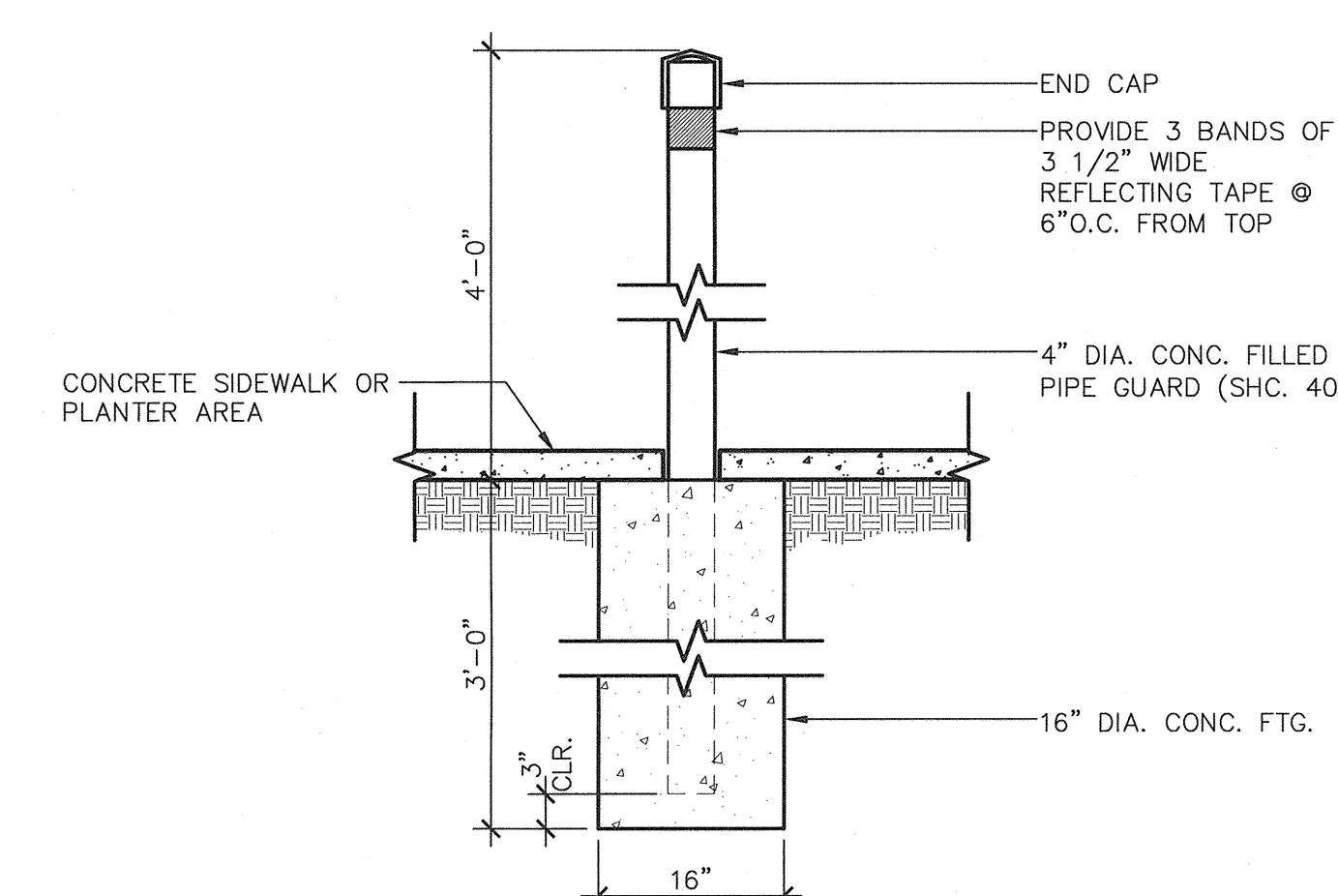


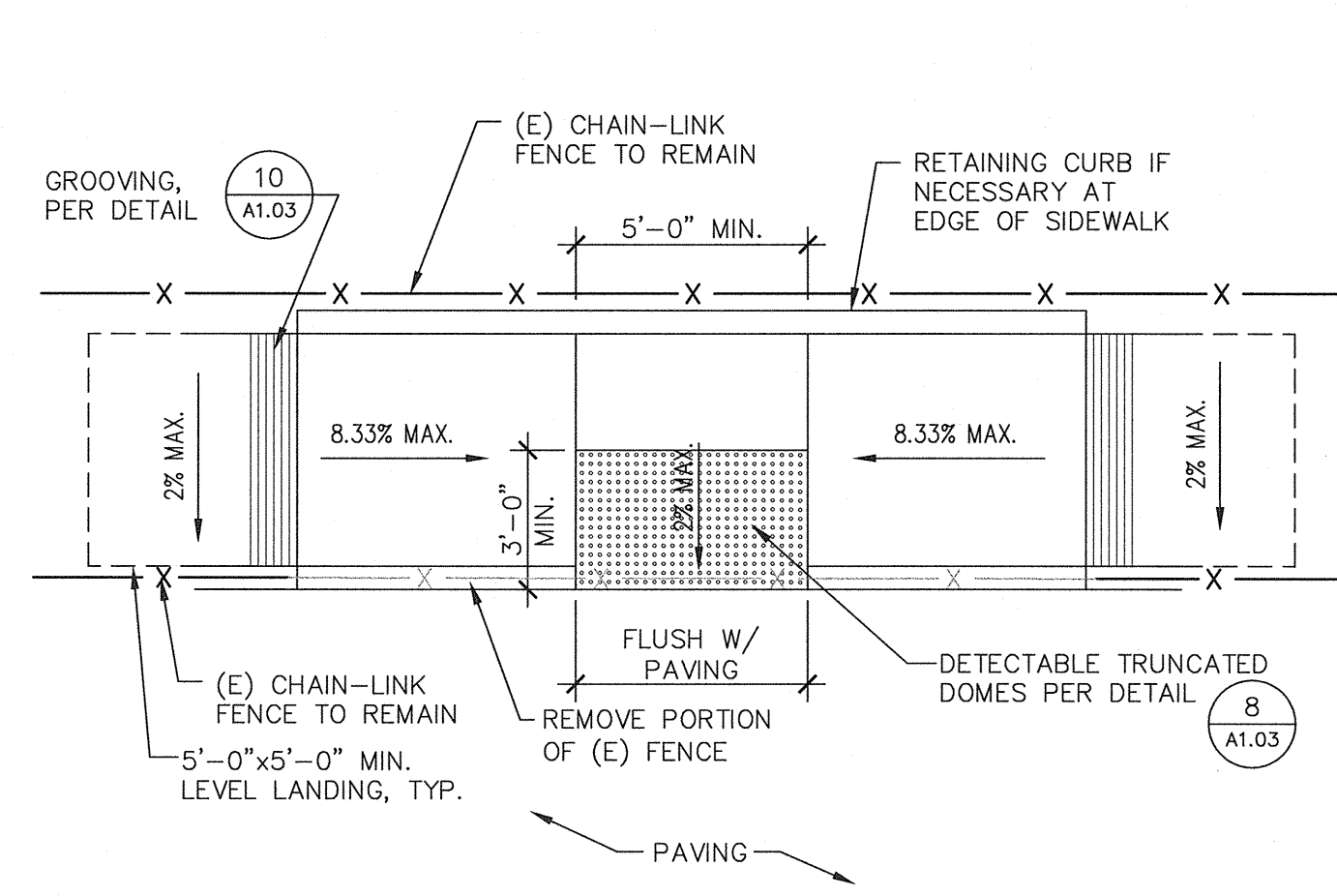
14 WALL SECTION
A1.03 ADW110-01 SCALE: 1" = 1'-0"



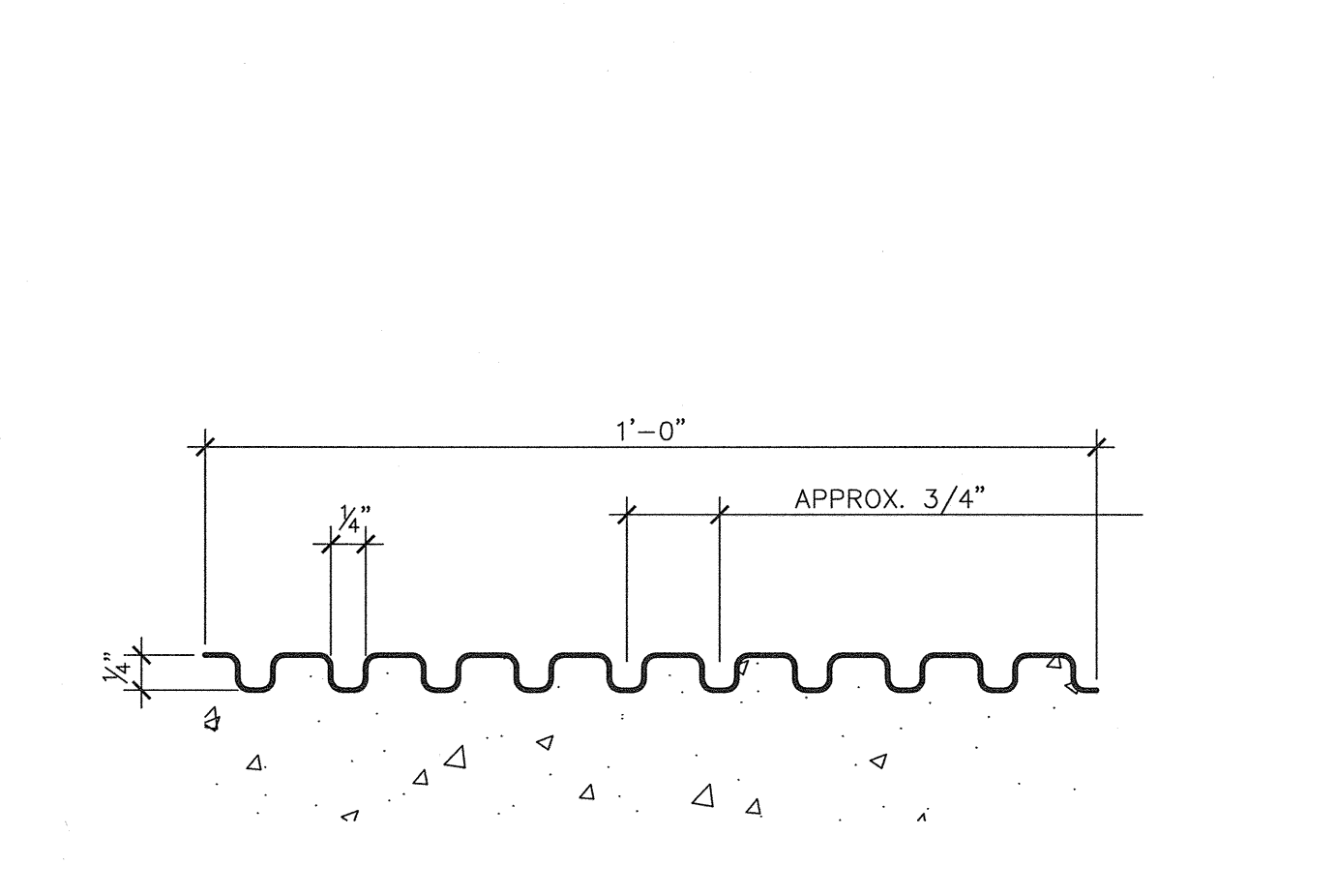
15 ACCESSIBLE PARKING
A1.03 SCALE: 1/8" = 1'-0"



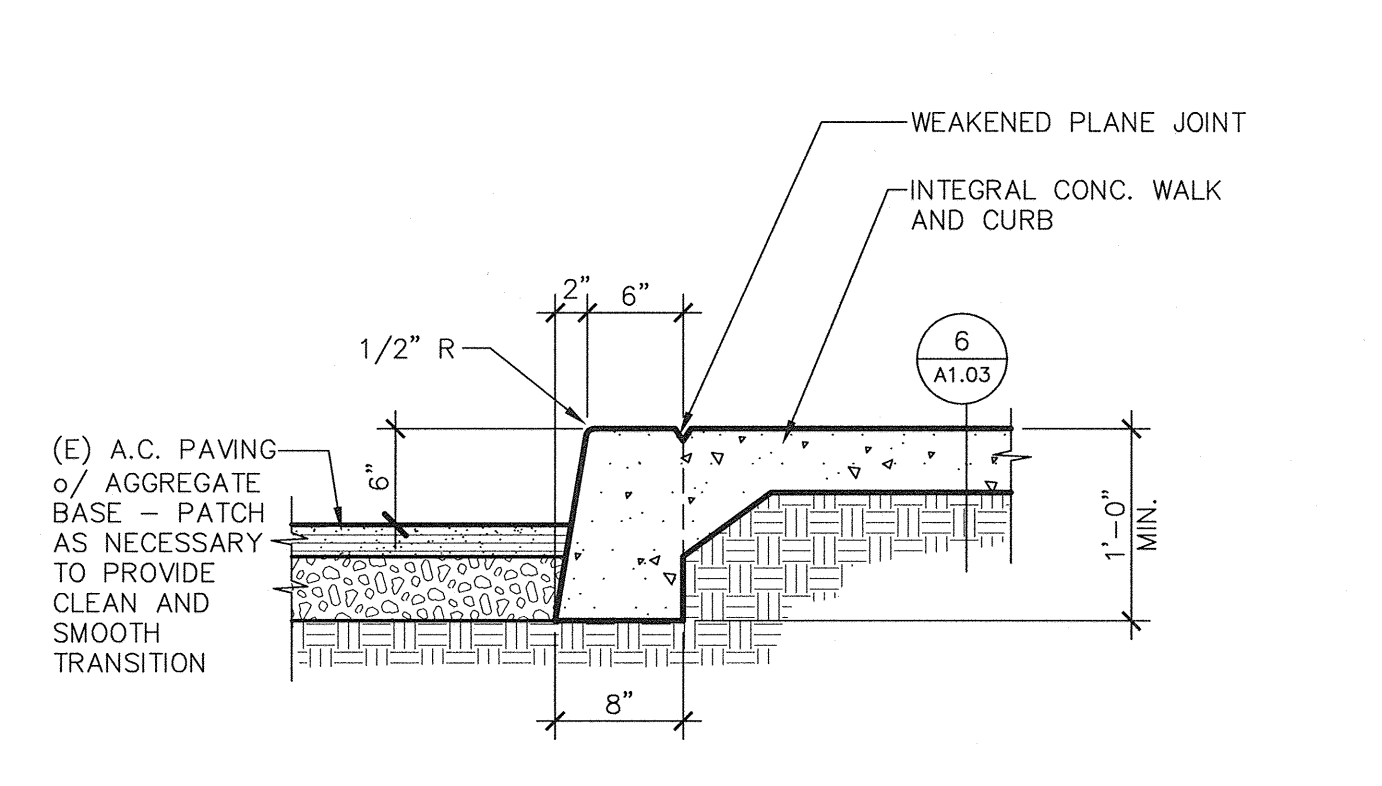
16 CONC. FILLED PIPE BOLLARD
A1.03 ADS100-28 SCALE: 3/4" = 1'-0"



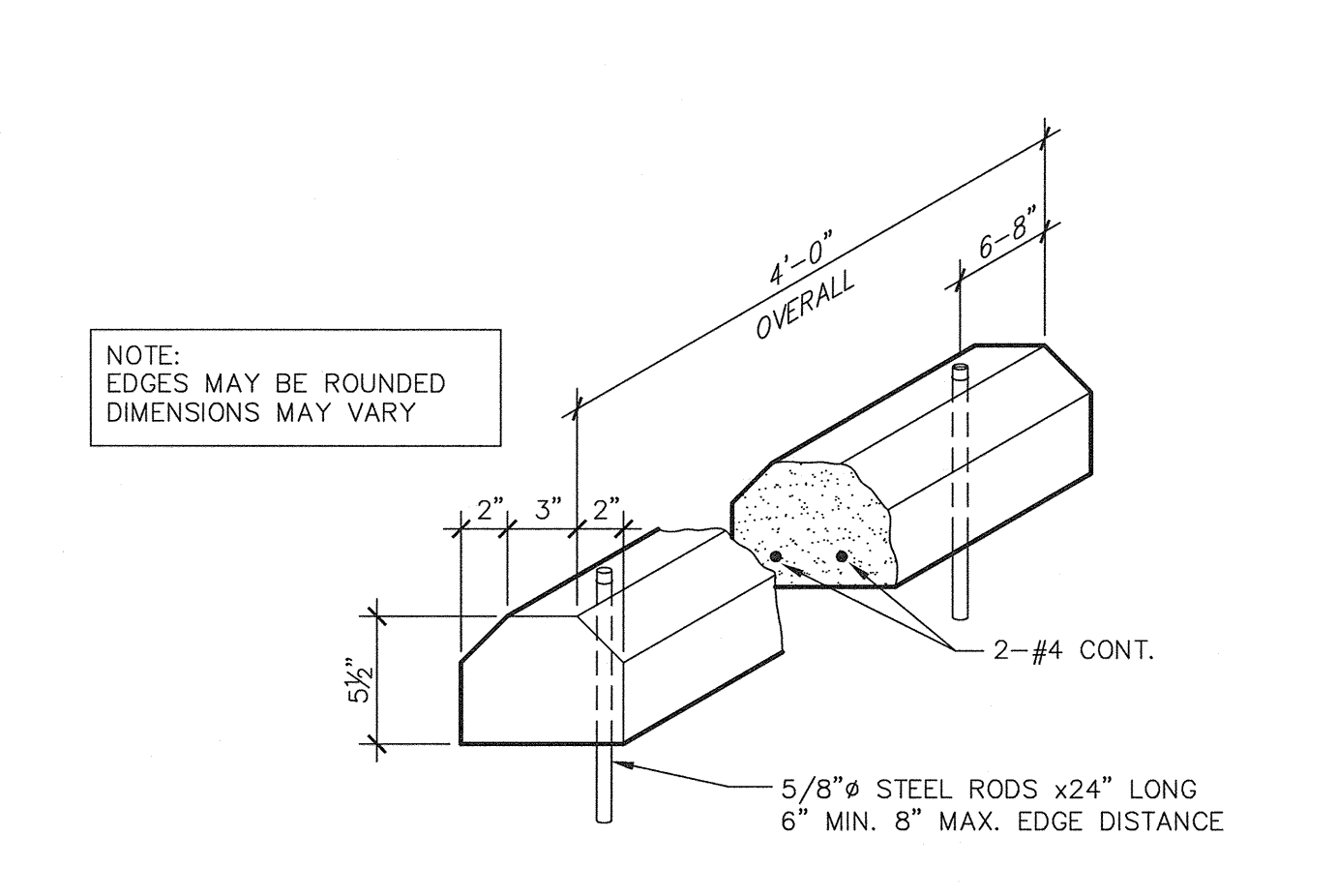
9 ACCESSIBLE RAMPED SIDEWALK
A1.03 ADA100-19 SCALE: 1/4" = 1'-0"



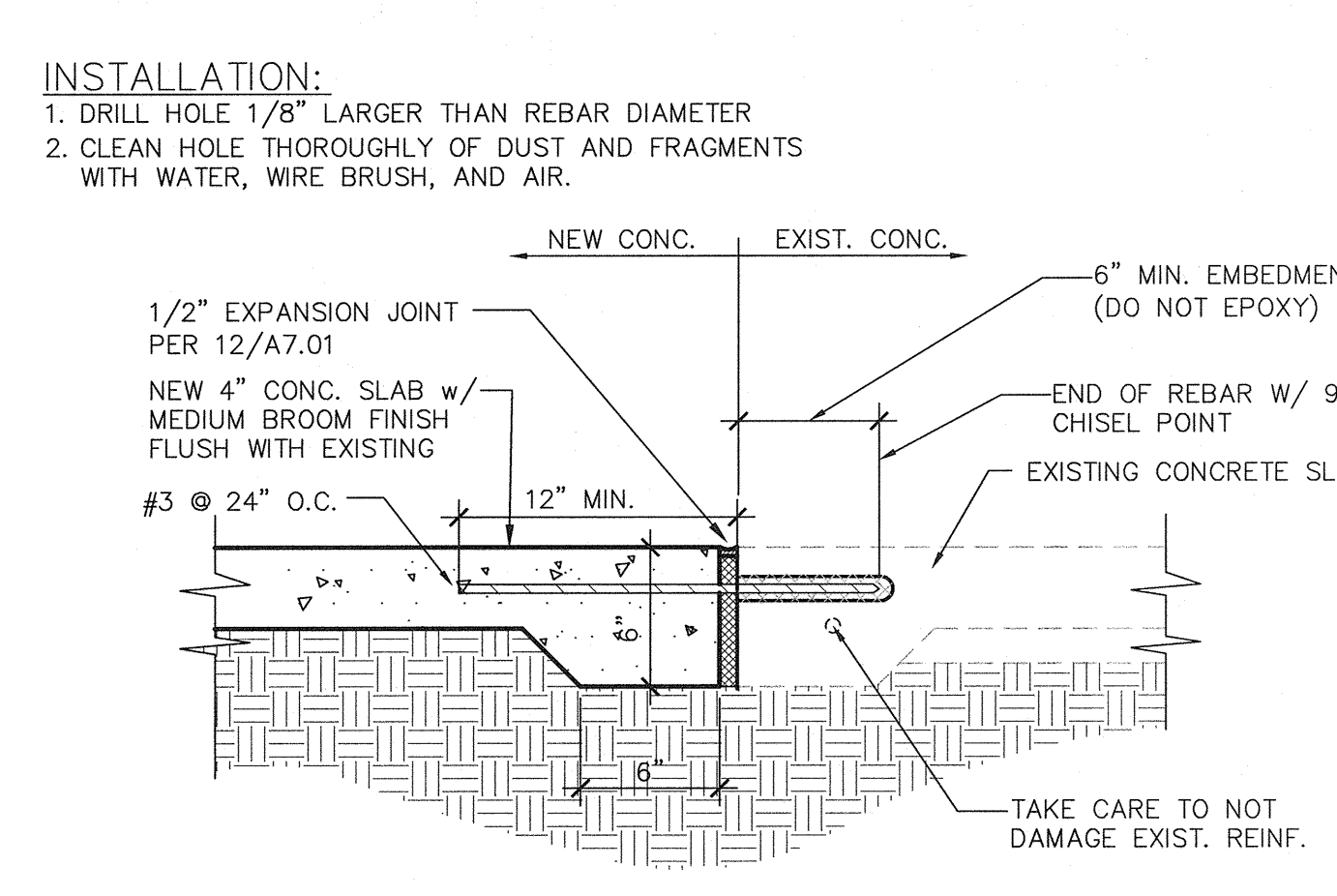
10 GROOVING DETAIL @ ACCESSIBLE CURB RAMP
A1.03 ADA100-22 N.T.S.



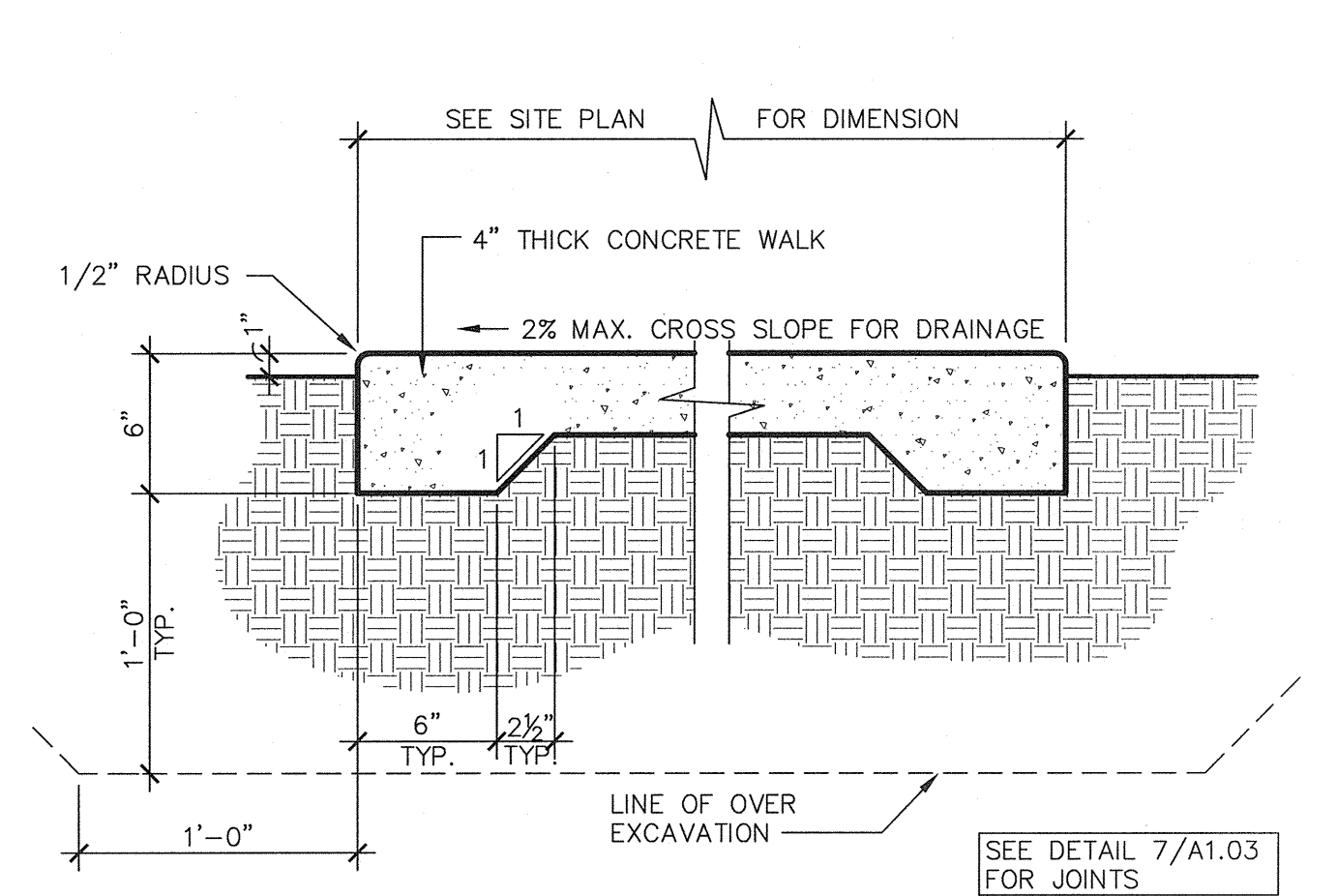
11 CONCRETE CURB AT PAVING
A1.03 ADS100-01 SCALE: 1" = 1'-0"



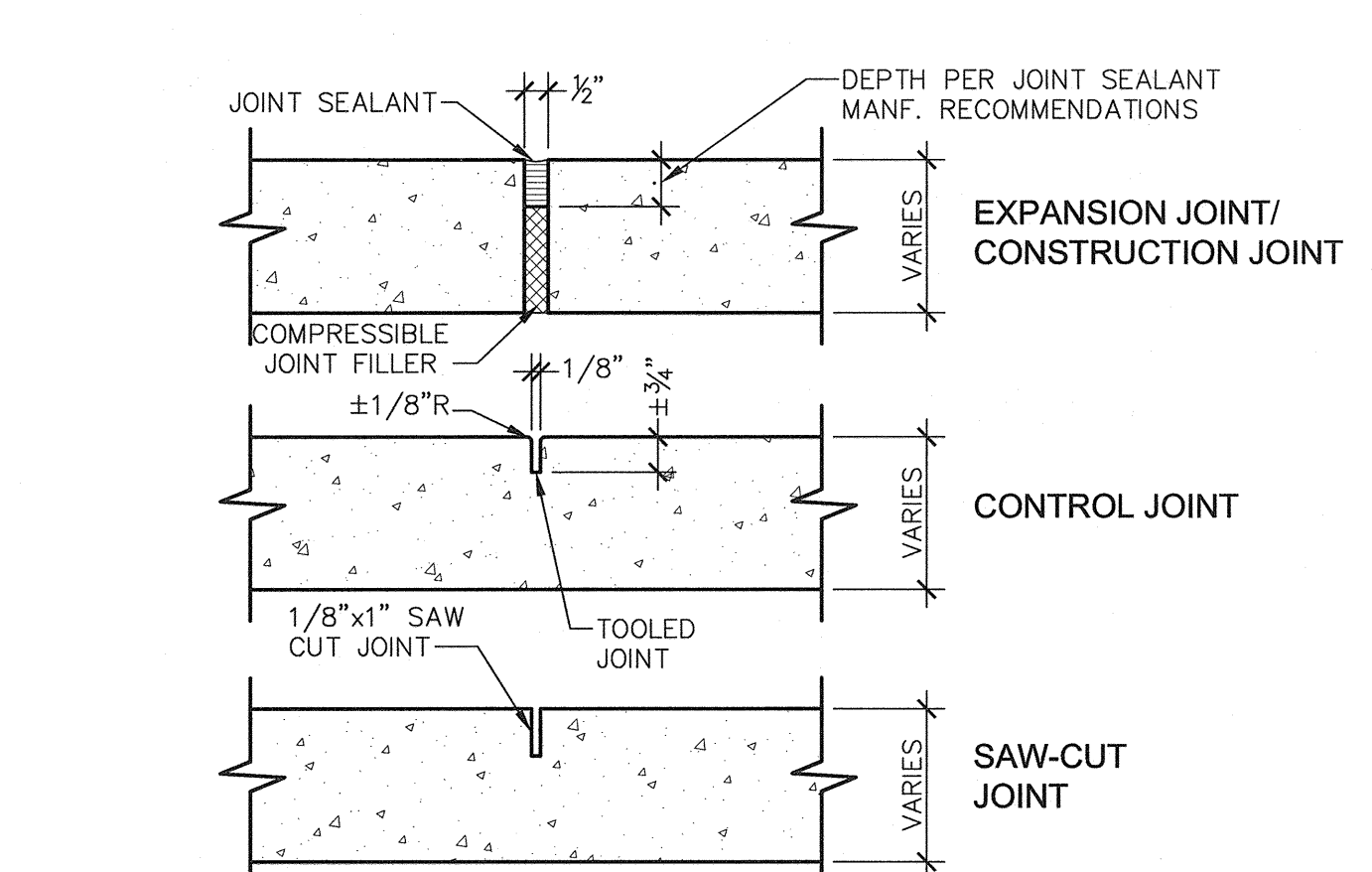
12 WHEEL STOP
A1.03 ADA100-07 SCALE: 1 1/2" = 1'-0"



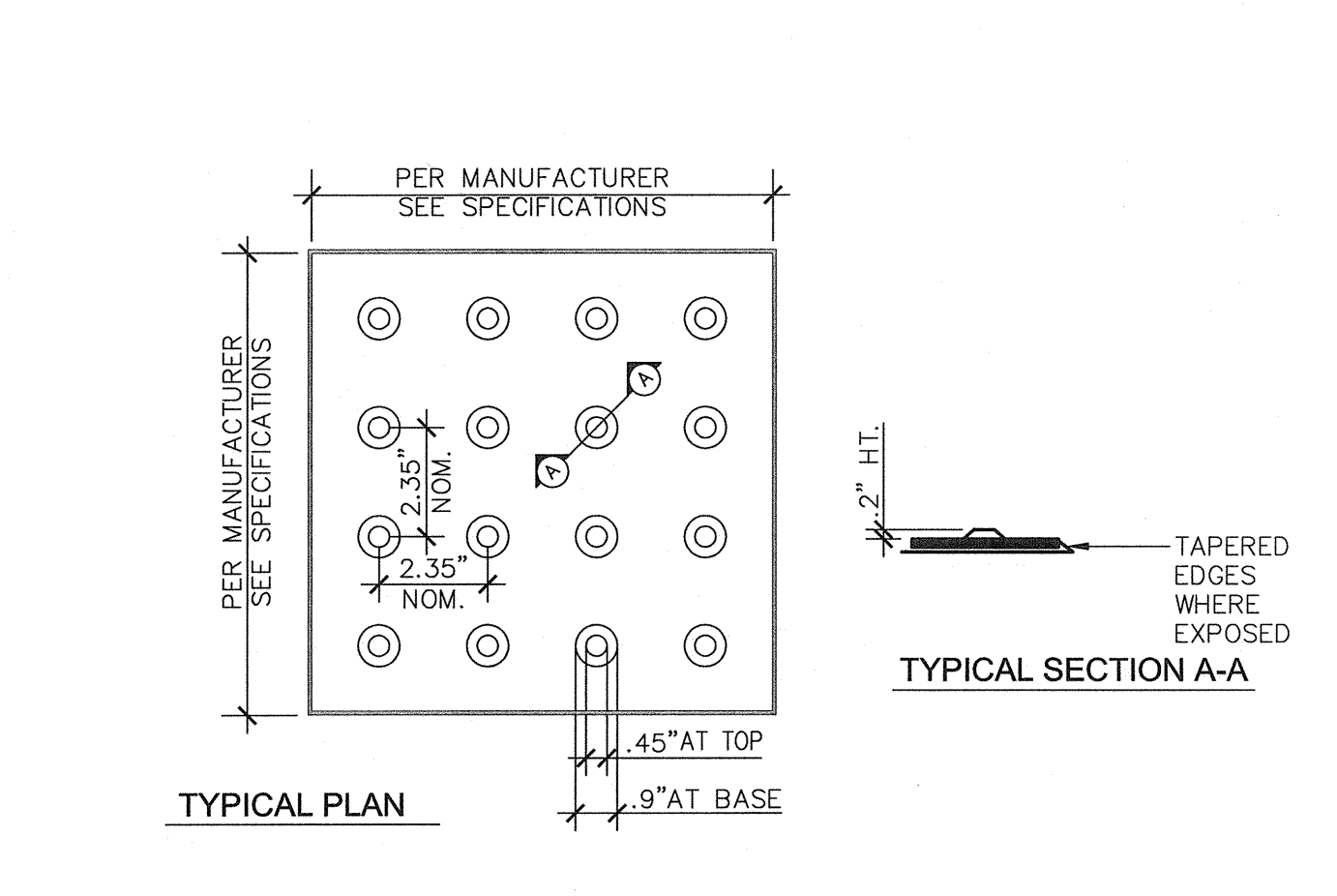
5 (N) CONC. WALK @ (E) CONC. WALK
A1.03 ADS100-05 SCALE: 1 1/2" = 1'-0"



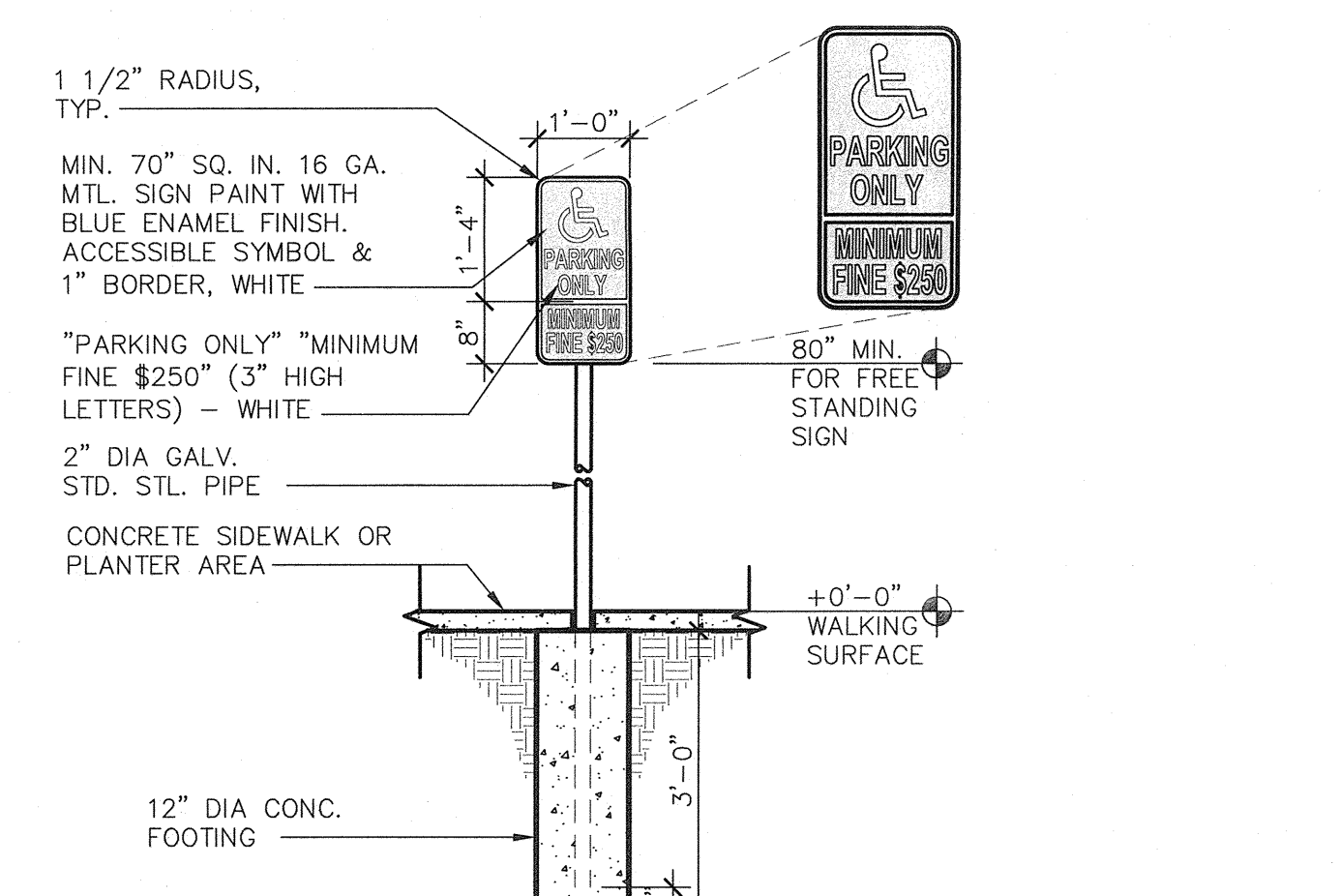
6 TYPICAL CONCRETE WALK
A1.03 ADS100-15 SCALE: 1 1/2" = 1'-0"



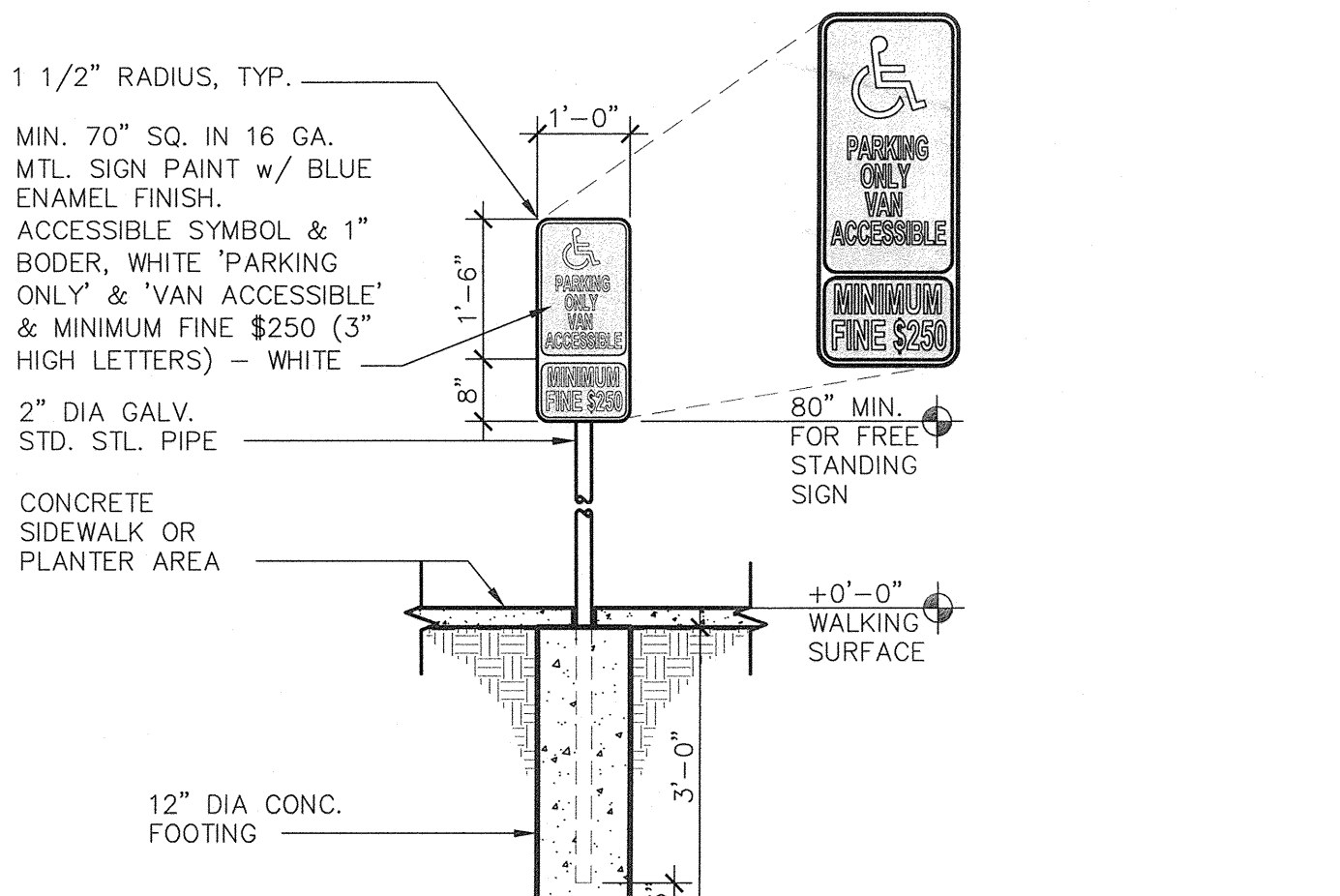
7 CONCRETE JOINTS
A1.03 ADS110-01 SCALE: 3" = 1'-0"



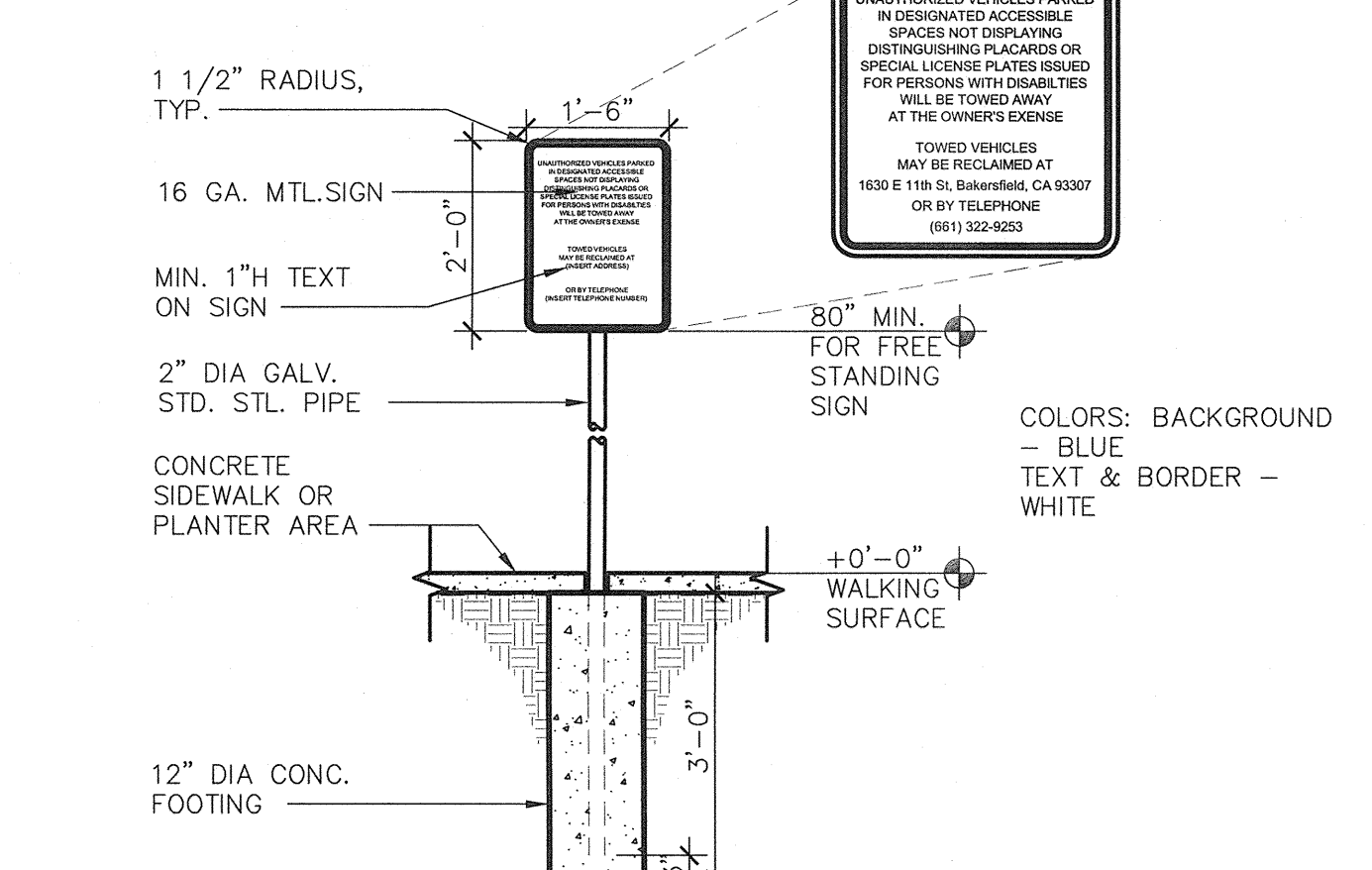
8 TRUNCATED DOMES
A1.03 ADA100-23 SCALE: N.T.S.



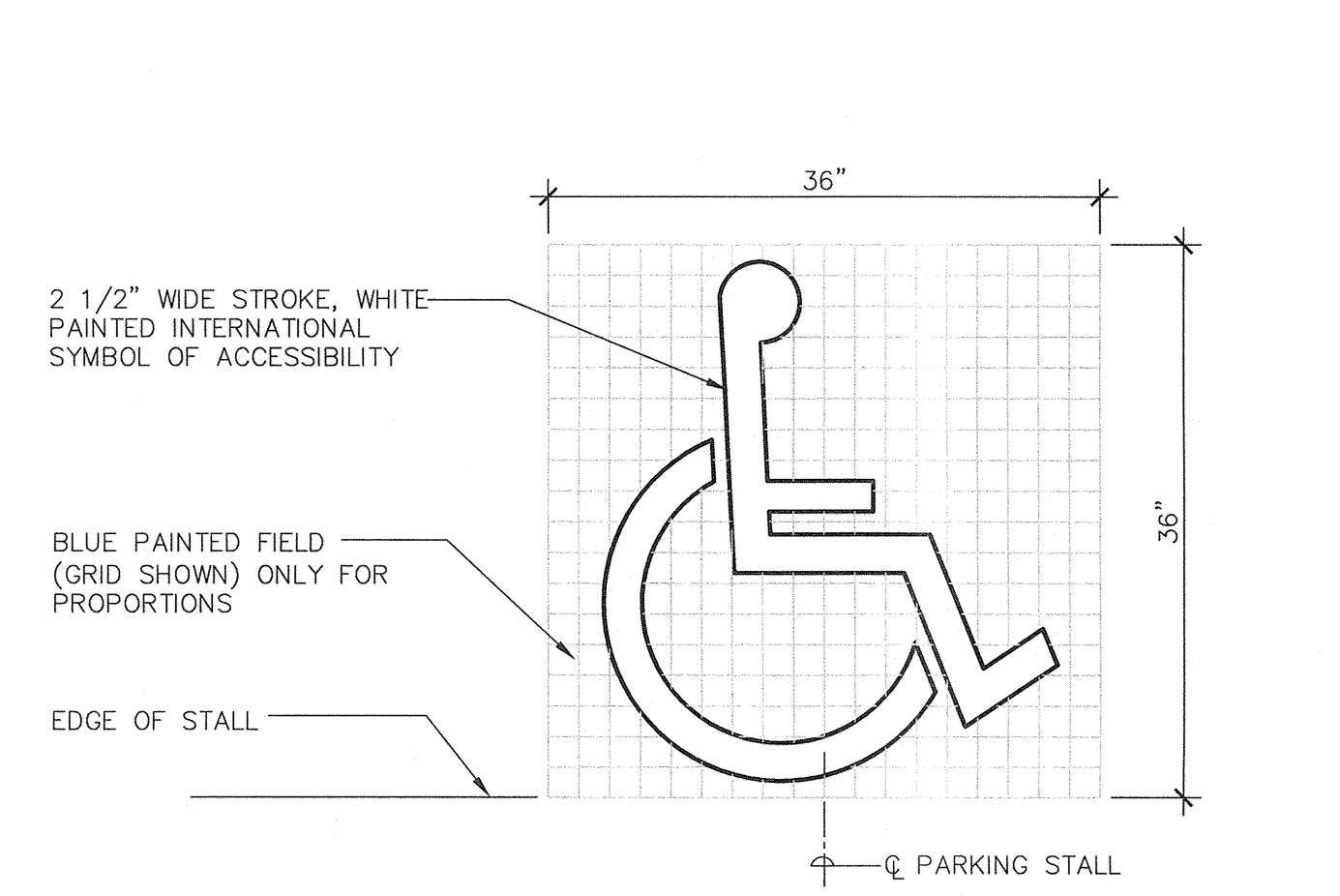
1 ACCESSIBLE PARKING SIGNAGE DETAIL
A1.03 ADA100-05 SCALE: 1/2" = 1'-0"



2 VAN ACCESSIBLE PARKING SIGNAGE DETAIL
A1.03 ADA100-04 SCALE: 1/2" = 1'-0"



3 TOW AWAY SIGNAGE DETAIL
A1.03 ADA100-02 SCALE: 1/2" = 1'-0"



4 TYPICAL ACCESSIBLE PARKING STALL SYMBOL
A1.03 ADA100-03 SCALE: 1" = 1'-0"

Ownership of Documents
This document, the ideas and designs incorporated herein, as an instrument of Professional Service is the property of Integrated Designs by SOMAM Inc. and is not to be used, in whole or in part for any other project without written authorization. © COPYRIGHT 2012

integrated designs by SOMAM, Inc.
ARCHITECTURE • INTERIOR DESIGN • CONSTRUCTION MANAGEMENT
6011 N. Fresno, Suite 130 - Fresno, California 93710
Phone (559) 438-0881 Fax (559) 438-0887 E-mail: design@somam.com
www.integrateddesigns.com

MT. VERNON ELEMENTARY SCHOOL KITCHEN ADDITION
BAKERSFIELD CITY SCHOOL DISTRICT
2161 POTOMAC AVENUE BAKERSFIELD CA.

SITE DETAILS

Issue Date: 07/20/12
Date: 07/31/12
Design: [Signature]
DR: [Signature]
PC: CJM

Agency Approval Stamp:
FILE # 15-6
IDENTIFICATION STAMP
DIV. OF THE STATE ARCHITECT
OFFICE OF REGULATION SERVICES
03-114521
DATE: 8/11/12
TRACKING #: 63321-118

Job No.: **3990**

Sheet No.: **A1.03**

Release: -

G:\2011\11-3990\Sheets\3990-A103.dwg CURTIS MCNALLY