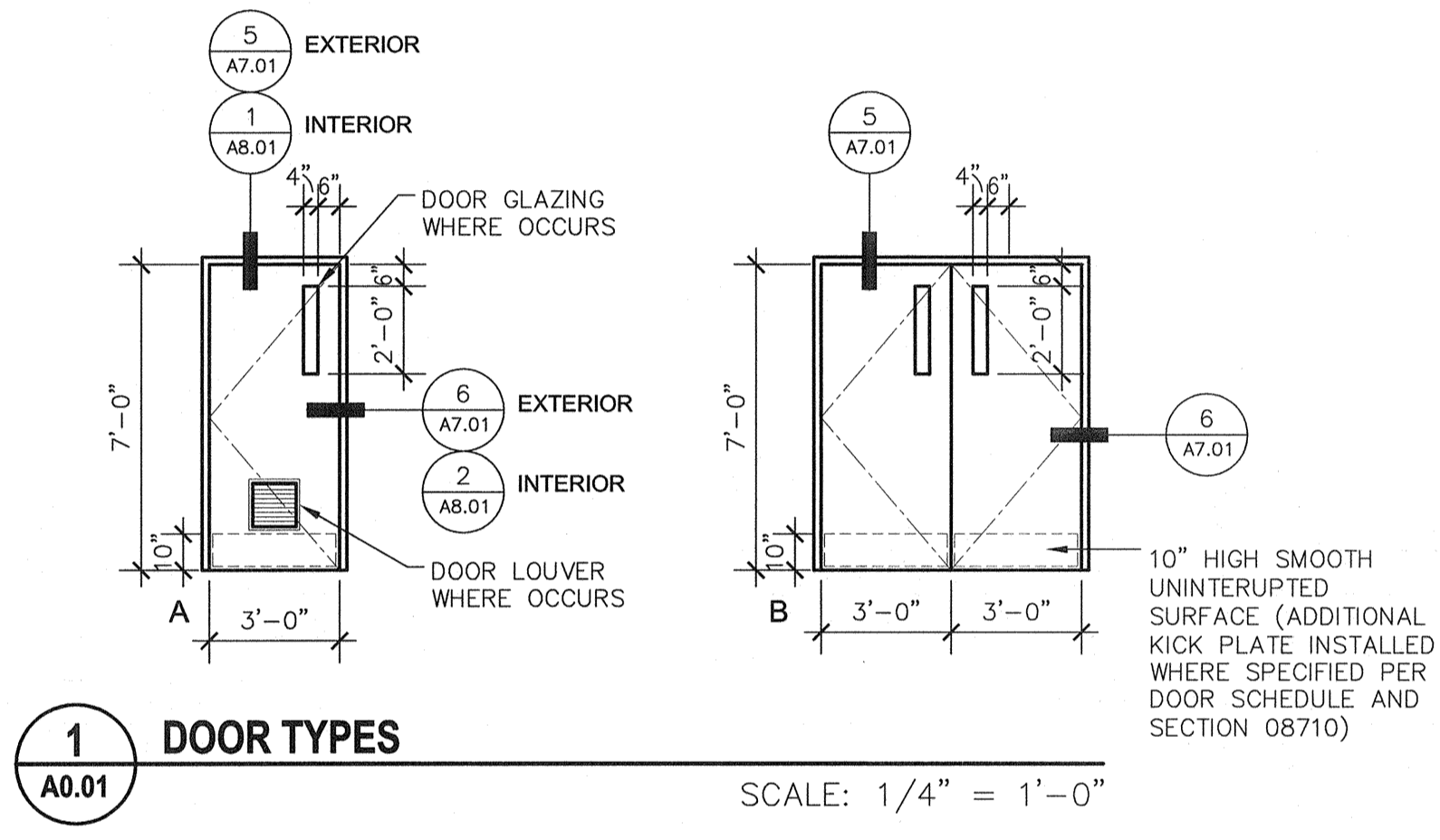


### DOOR SCHEDULE

DOOR NO.	TYPE NO	DOOR OPENING SIZE	DOOR				FRAME		GLASS SIZE	LOUVER SIZE	UL RAT'G	HARDWARE NO.	DETAILS			SIGNAGE		REMARKS
			THK	MAT	CORE	FIN.	MAT	FIN					HEAD	JAMB	THRESHOLD	PULL	PUSH	
1	A	3'-0"x7'-0"	1 3/4"	HM	INSUL	P55C	HM	P55C	4"x24"	--	--	1	5 / A7.01	6 / A7.01	2 / A7.01	SEE PLANS	SEE PLANS	PANIC HARDWARE
2	A	3'-0"x7'-0"	1 3/4"	HM	INSUL	P55C	HM	P55C	4"x24"	--	60 MIN.	4	1 / A8.01	2 / A8.01	7 / A7.01	SEE PLANS	SEE PLANS	PANIC HARDWARE
3	A	3'-0"x7'-0"	1 3/4"	HM	INSUL	P55C	HM	P55C	4"x24"	--	--	2	1 / A8.01	2 / A8.01	7 / A7.01	SEE PLANS	SEE PLANS	
4	B	PR. 3'-0"x7'-0"	1 3/4"	HM	INSUL	P55C	HM	P55C	4"x24"	--	--	5	5 / A7.01	6 / A7.01	2 / A7.01	SEE PLANS	SEE PLANS	
5	A	3'-0"x7'-0"	1 3/4"	HM	INSUL	P55C	HM	P55C	4"x24"	--	--	2	1 / A8.01	2 / A8.01	-	SEE PLANS	SEE PLANS	
6	A	3'-0"x7'-0"	1 3/4"	HM	INSUL	P55C	HM	P55C	--	12"x12"	--	3	1 / A8.01	2 / A8.01	-	SEE PLANS	SEE PLANS	UNDER CUT DOOR 1"
7	A	3'-0"x7'-0"	1 3/4"	HM	INSUL	P55C	HM	P55C	--	--	--	4	1 / A8.01	2 / A8.01	7 / A7.01	SEE PLANS	SEE PLANS	PANIC HARDWARE @ PUSH SIDE & PROVIDE SMOOTH PLATE @ PULL SIDE TO ALLOW ONE WAY OPERATION. (EXIT ONLY)

### MATERIAL AND INTERIOR FINISH SCHEDULE

ROOM NO.	ROOM NAME	FLOOR		BASE		WAINSCOT			WALLS								CEILING			REMARKS			
		MAT	FIN	MAT	FIN	HT	MAT	FIN	HT	NORTH		EAST		SOUTH		WEST		CEILING					
										MAT	FIN	MAT	FIN	MAT	FIN	MAT	FIN	MAT	FIN		HT		
001	VESTIBULE	VCT	FF	RTB	FF	4"	--	--	--	GB	P	GB	P	GB	P	GB	P	GB	P	GB	P	8'-0"	
002	REFRIGERATOR / FREEZER	CONC.	SEAL	--	--	--	--	--	--	FF	FF	FF	FF	FF	FF	FF	FF	FF	FF	FF	FF	FF	PER MANUF.
003	HALL	VCT	FF	RTB	FF	4"	--	--	--	GB	P	GB	P	GB	P	GB	P	GB	P	GB	P	8'-0"	
004	STORAGE	VCT	FF	RTB	FF	4"	--	--	--	GB	P	GB	P	GB	P	GB	P	GB	P	GB	P	8'-0"	
005	TOILET	SVC	FF	SVC	FF	6"	FRP	FF	48"	GB	P	GB	P	GB	P	GB	P	GB	P	GB	P	8'-0"	



## GENERAL NOTES

- A. ALL FLOOR PLAN ROOM NAMES AND NUMBERS ARE FOR CONSTRUCTION INFORMATION ONLY. THE CONTRACTOR SHALL COORDINATE ACTUAL ROOM NAMES & NUMBERS WITH THE OWNER AND ARCHITECT PRIOR TO ORDERING ANY ROOM SIGNAGE.
- B. PROVIDE ROOM IDENTIFICATION SIGNAGE AT EVERY ROOM ENTRANCE.
- C. PROVIDE A TACTILE EXIT SIGN AT EVERY BUILDING EXIT.
- D. PROVIDE A BUILDING NAME AND INTERNATIONAL SYMBOL OF ACCESSIBILITY (ISA) AT THE PRIMARY BUILDING ENTRANCE.
- E. ALL DOOR HARDWARE TO BE MOUNTED @ CENTER LINE OF 34" ABOVE FINISH FLOOR.
- F. PROVIDE ADA COMPLIANT LEVER HARDWARE AT ALL DOORS NOT PROVIDED WITH PANIC HARDWARE. SEE HARDWARE SPEC'S SECTION 08710
- G. PROVIDE ADA COMPLIANT SIGNAGE AT RESTROOMS PER DETAIL 6/A8.01
- H. PROVIDE 10" HIGH ADA COMPLIANT KICKPLATE ON PUSH SIDE OF ALL DOORS. SEE 1/A0.01 DOOR TYPES
- I. PROVIDE DOOR CLOSERS ON DOORS AS SPECIFIED PER SPEC. SECTION 08710

**Ownership of Documents**  
This document, the ideas and designs incorporated herein, as an instrument of Professional Service is the property of Integrated Designs by SOMAM Inc. and is not to be used, in whole or in part for any other project without written authorization.  
© COPYRIGHT 2012

**integrated designs** by SOMAM, Inc.  
ARCHITECTURE - ENGINEERING - INTERIOR DESIGN - CONSTRUCTION MANAGEMENT  
6011 N. Fremo, Suite 130 - Fremo, California 93710  
Phone (559) 436-0881 Fax (559) 436-0887 E-Mail: design@somam.com  
www.integrateddesigns.com

### SCHEDULES

Project Name & Address:  
**MT. VERNON ELEMENTARY SCHOOL  
KITCHEN ADDITION**  
BAKERSFIELD CITY SCHOOL DISTRICT  
2161 POTOMAC AVENUE BAKERSFIELD CA.

Issue Date: 07/20/12  
Date: 07/31/12  
Designer: --  
DR: --  
FC: CJM

## ABBREVIATIONS

DOOR AND WINDOW SCHEDULES:

- PR = PAIR
- HM = HOLLOW METAL
- ALUM. = ALUMINUM
- INSUL = INSULATED CORE
- P = PRIME & PAINT
- WD = WOOD
- SC = SOLID CORE
- FF = FACTORY FINISH
- DUAL = DUAL PANE GLAZING
- T.O.W. = TOP OF WINDOW
- SIN. = SINGLE

MATERIAL AND FINISH SCHEDULE:

- VCT - RESILIENT TILE FLOORING
- SV - SHEET RESILIENT FLOORING
- CT - CERAMIC TILE CONC. - CONCRETE
- RTB - RUBBER TOP BASE
- GB - GYPSUM BOARD
- FRP - FIBER REINFORCED POLYESTER PANELS
- ACT - ACOUSTICAL CEILING TILE
- SVC - SHEET VINYL COVE
- FF - FACTORY FINISH SEAL - SEALER
- MDF - MEDIUM DENSITY FIBER BOARD.
- P - PRIME AND PAINT
- PLY - PLYWOOD
- TB - VINYL COVERED TACKBOARD

FILE # 15-6  
IDENTIFICATION STAMP  
DIV. OF THE STATE ARCHITECT  
OFFICE OF REGULATION SERVICES  
03-114521  
DATE 8/1/12  
TRACKING #: 63321-118

Job No.: **3990**

Sheet No.: **A0.01**