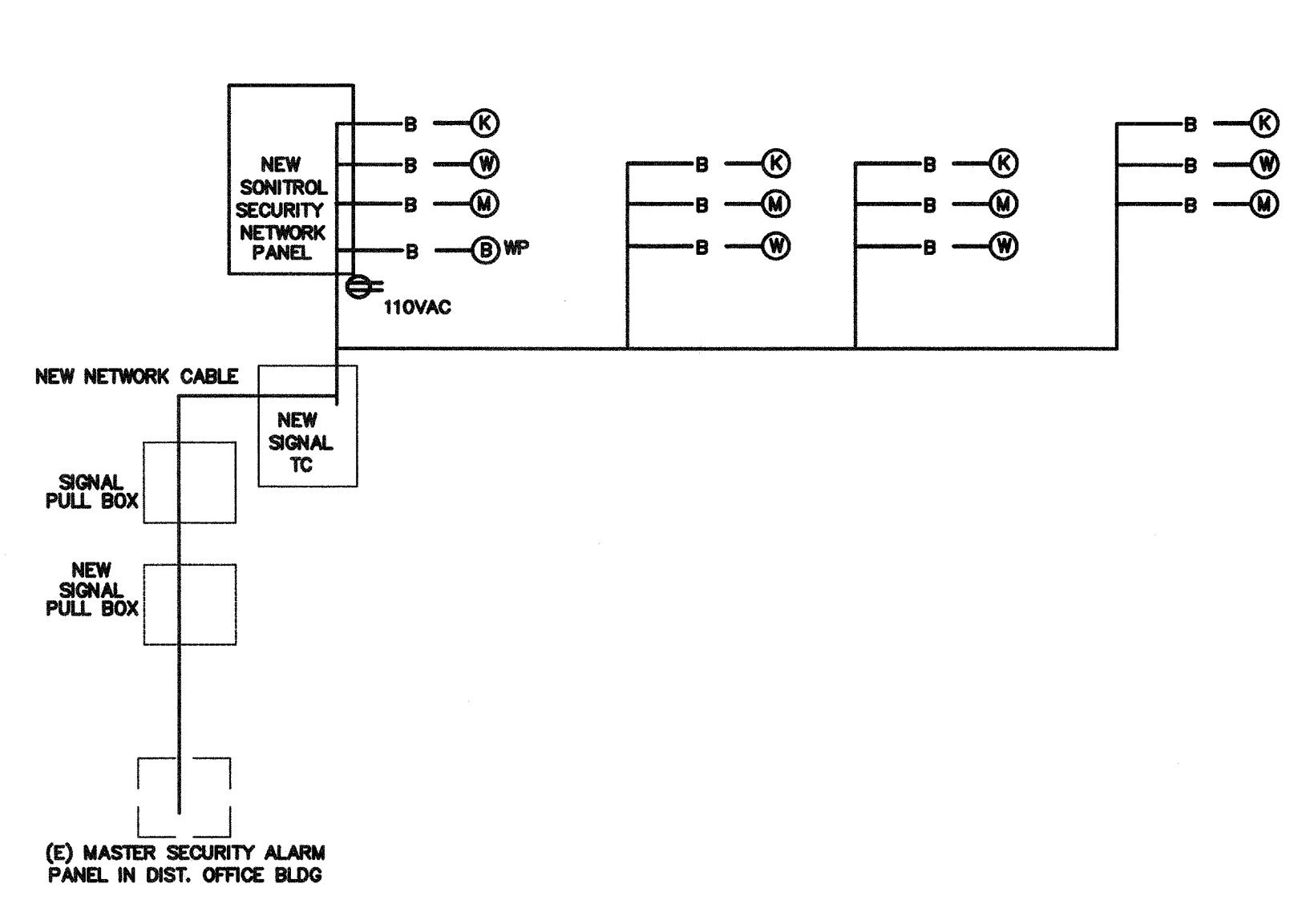


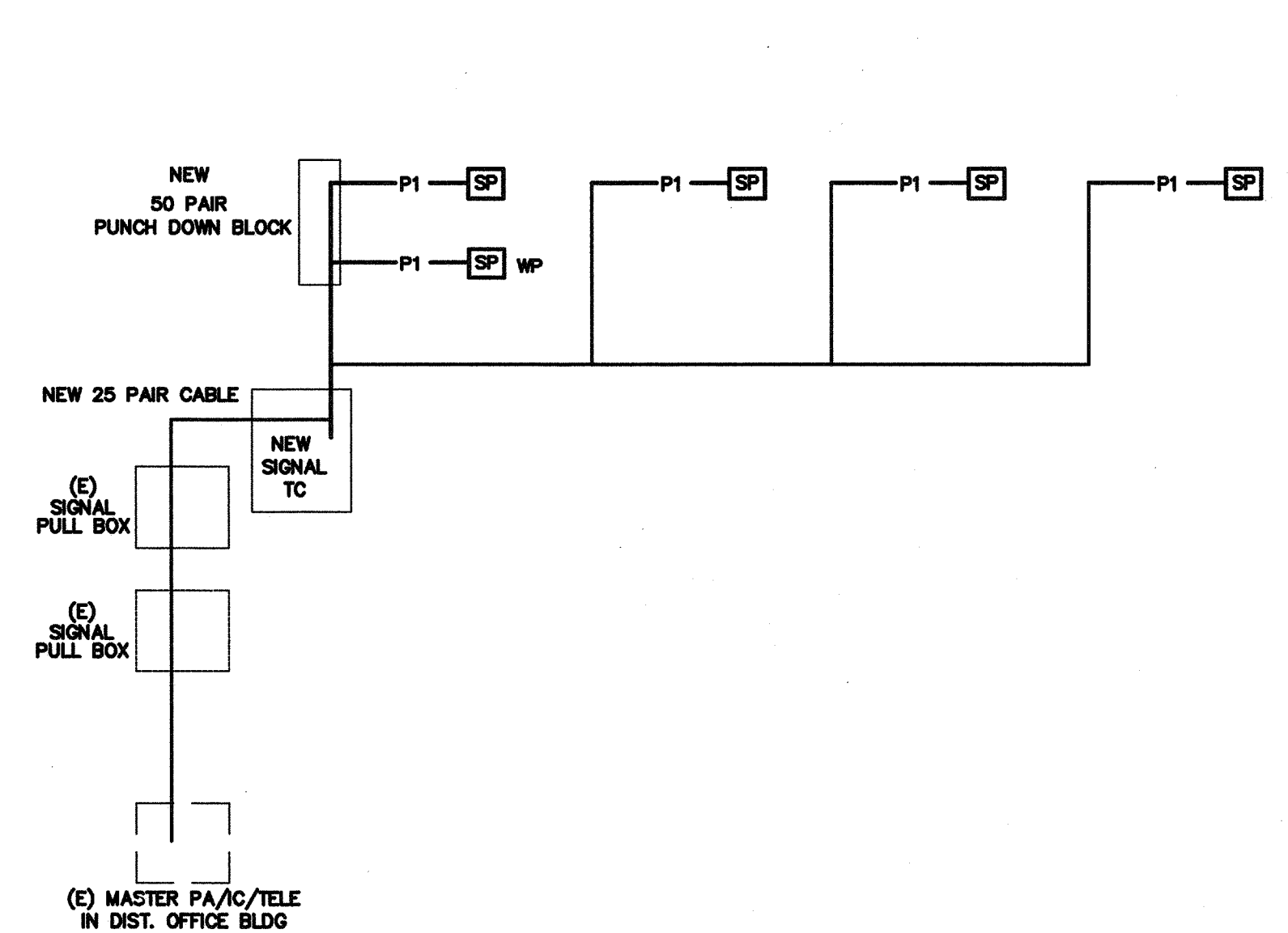
FIBER OPTIC CABLE
 THREE MULTIMODE PAIRS (SIX STRANDS) AND THREE SINGLE-MODE PAIRS (SIX STRANDS)
 OPTICAL CABLE COMPANY # DX 12/0650-8W35B/1UC-6SYMC-YMD/900-OFNR OF EQUAL
PLATE CABLE
 BENDP424-9L-BER-PV OR EQUAL
CABLE TESTING
 ALL FIBER OPTIC CABLE MUST BE TESTED TO SUPPORT 1000BASE-FX FULL DUPLEX STANDARDS.
 ALL CAT 5E CABLE MUST BE TESTED TO SUPPORT 100BASE-TX.
 TEST RESULTS ARE TO BE PROVIDED TO SCHOOL TECHNOLOGICAL SERVICES FOR REVIEW AND APPROVAL.

IDU SWITCH EQUIPMENT
 F/O CISCO WS-C2950G-24 W/ WS-C5484 GBIC
 TP CISCO WS-C2950-24
CABINETS SOUTH WESTERN DATA PRODUCT SWE 4000-18UBDLK OR EQUAL
JACKS ALLEN TEL AT55-16 OR EQUAL
FACEPLATE ALLEN TEL AT30-2-09 OR EQUAL
PATCH PANEL ALLEN TEL ATPHL-24 OR EQUAL
LABELING IDENTIFICATION
 ALL INSTALLED EQUIPMENT, CABLES, TERMINATIONS, ETC. WILL BE PERMANENTLY AND UNIQUELY MARKED. CABLES WILL BE MARKED USING A CONVENTION THAT WILL IDENTIFY ITS ORIGIN AND DESTINATION. LAN TERMINATIONS WILL SIMILARLY BE MARKED TO UNIQUELY IDENTIFY THEM WHILE PROVIDING THE SOURCE AND DESTINATION OF CABLE. IDENTIFICATIONS MUST BE SUCH THAT THEY WILL NOT RUB OFF, FALL OFF, OR EASILY BREAK AWAY.

7 DATA COMMUNICATION SYSTEM RISER DIAGRAM N.T.S

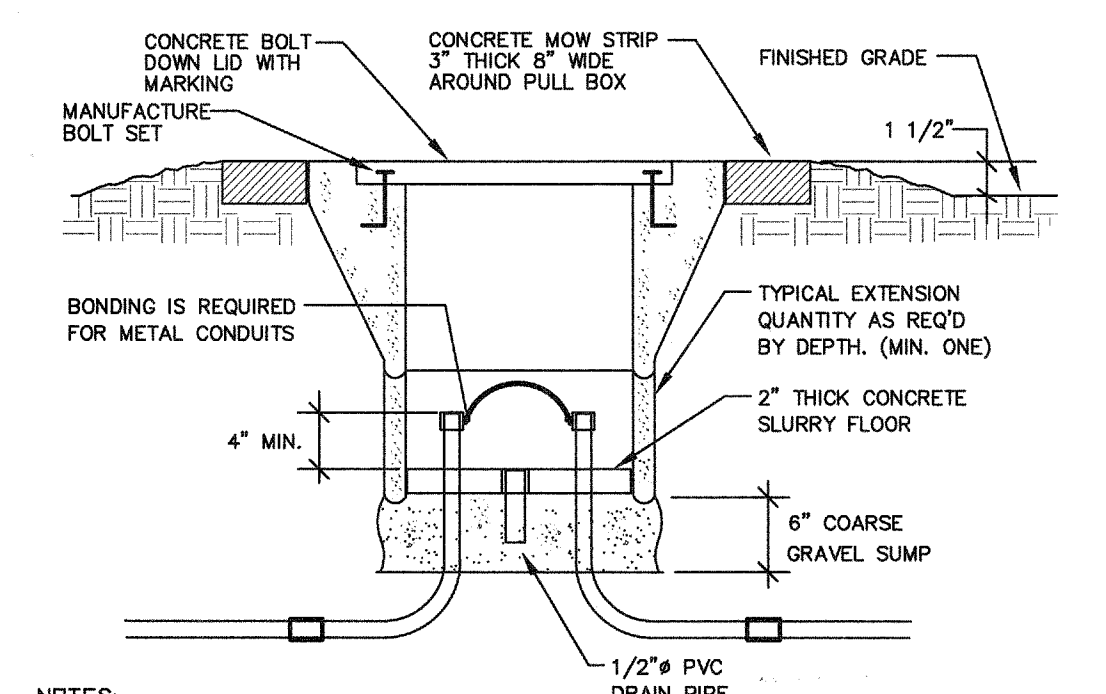


5 SECURITY ALARM SYSTEM RISER DIAGRAM N.T.S



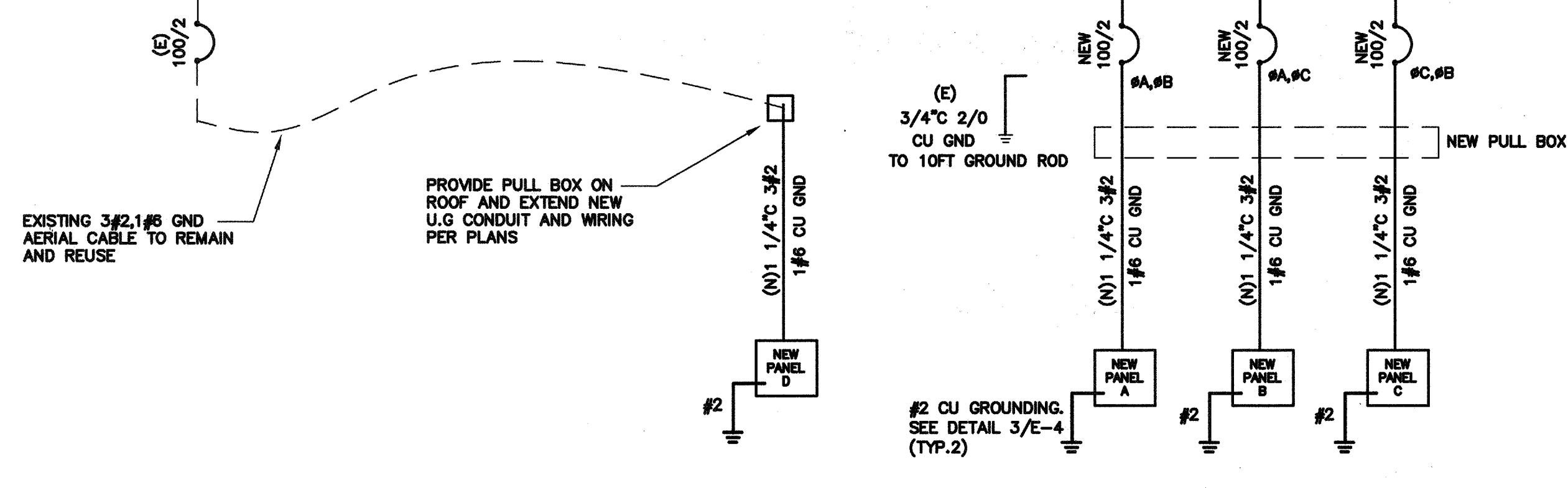
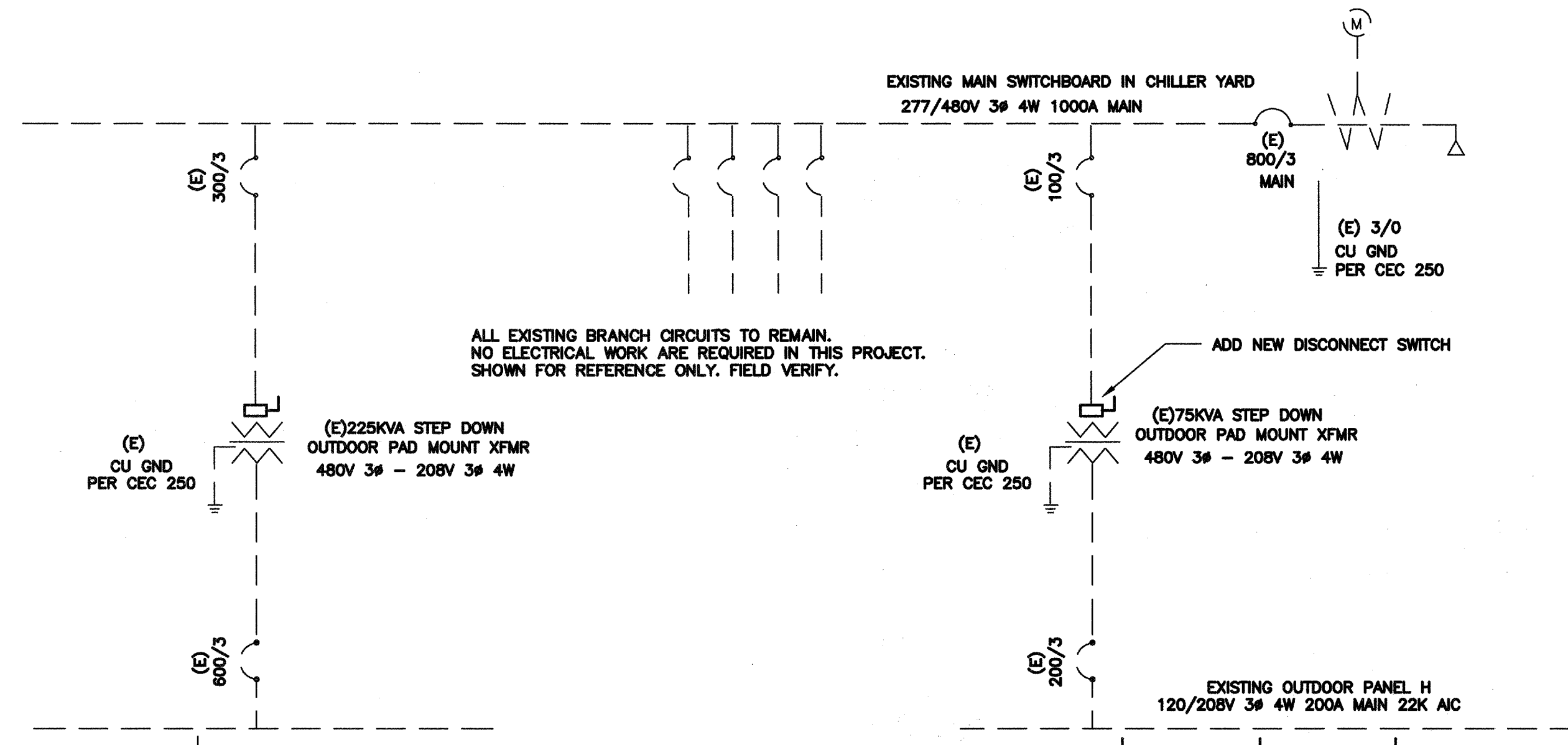
2 PA/IC/TELE SYSTEM RISER DIAGRAM N.T.S

7 DATA COMMUNICATION SYSTEM RISER DIAGRAM N.T.S



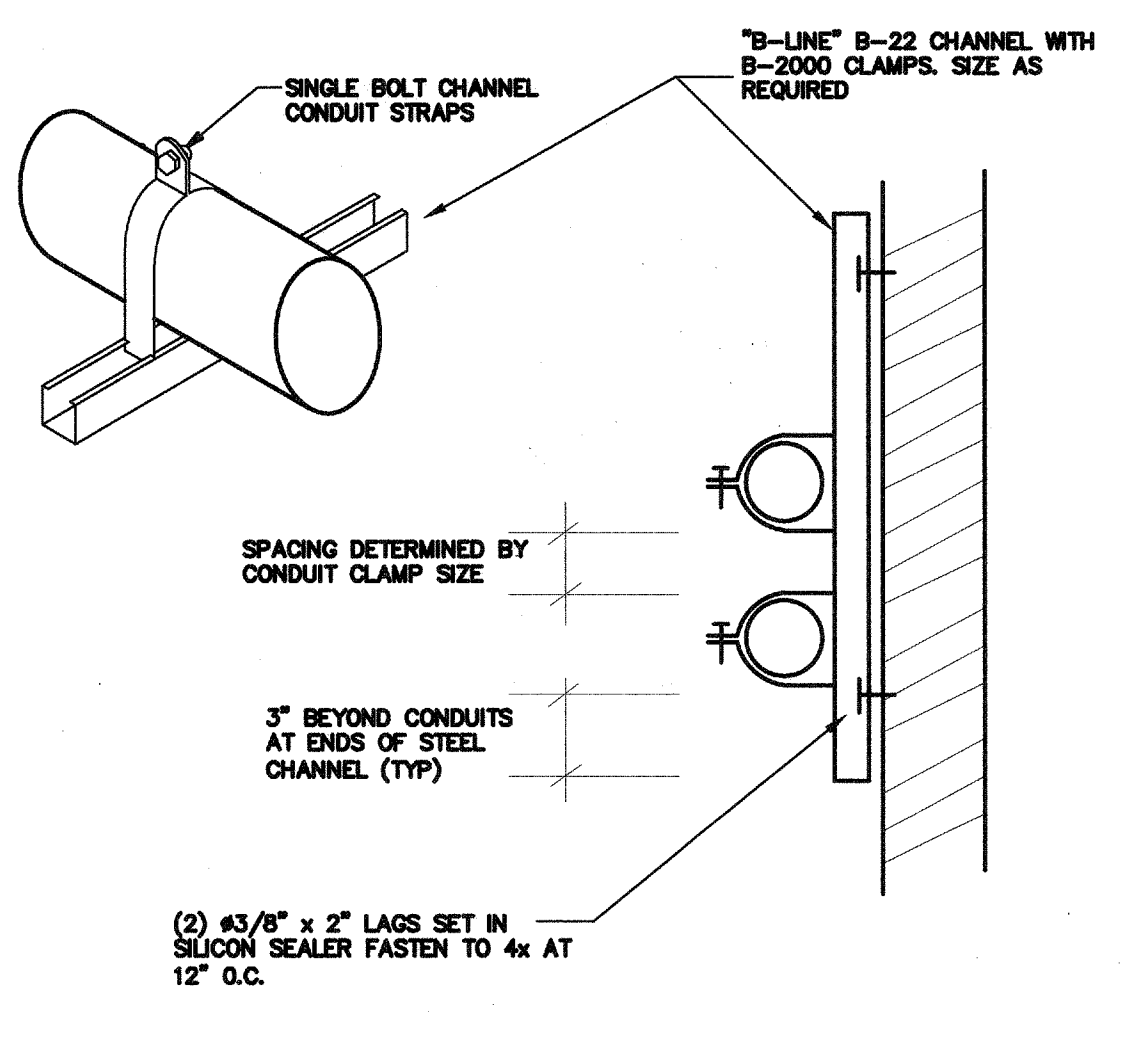
NOTES:
 WHERE PULL BOX IS LOCATED WITH IN 30" OF A FOUNDATION OR SIDE WALK, PULL BOX SHALL BE SET FLUSH WITH THE ADJACENT SURFACE, MOW STRIP CONCRETE SHALL BE POURED FLUSH WITH FOUNDATION OR SIDE WALK.

4 PULL BOX AT OPEN YARD DETAIL N.T.S

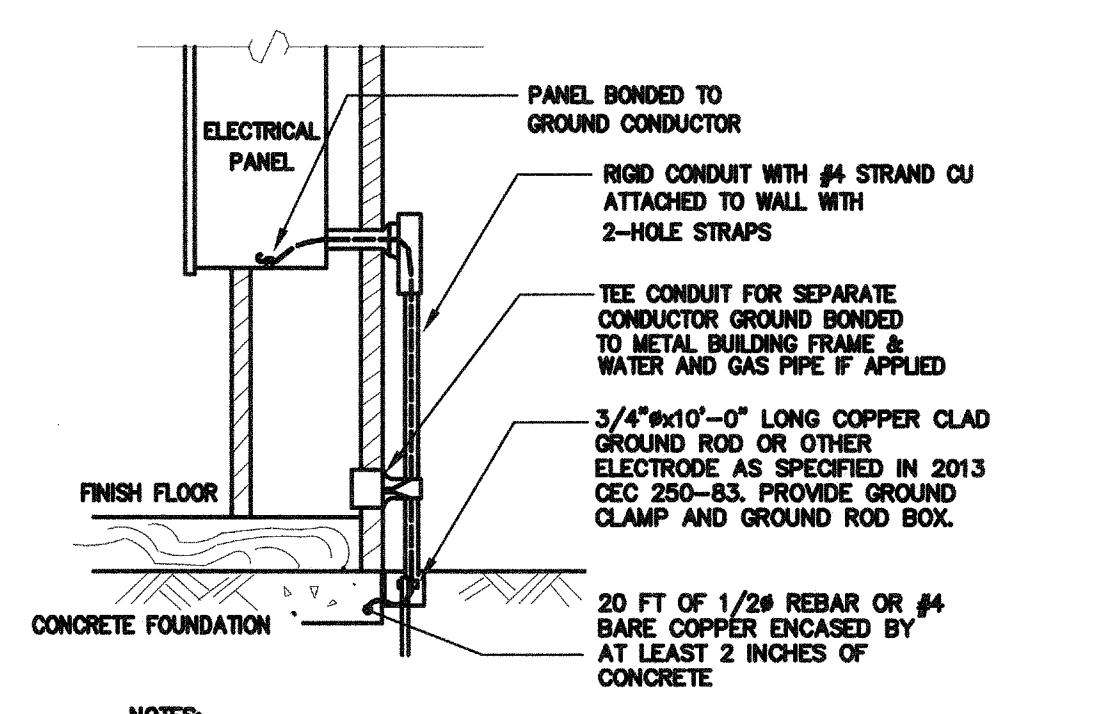


NOTES:
 1. PROVIDE NEW MATCHING BREAKERS, FEEDERS AND PANELS PER PLANS.
 2. ALL NEW CONDUCTOR SHALL BE 75°C THIN-2 COPPER IN CONDUIT. (AMPACITY FOR CONDUCTOR SELECTION MUST BE DETERMINED/DERATED BY THE ALLOWED TERMINATION RATINGS MARKED/APPROVED ON EACH DEVICES, MOTOR, APPLIANCE, XFMR, O.C.P.C. PANEL, ETC. CONDUCTORS INSTALLED IN U.G OR WET LOCATIONS SHALL BE MARKER 'W'. PER 2013 CEC 110-14(C)(1).
 3. ALL WIRING OVER 100 VOLT SHALL BE INSTALLED IN RACEWAY CONDUIT, EMT ABOVE GRADE, PVC SCH. 40 BELOW GRAD AND STEEL CONDUIT ON EXPOSE SURFACE BELOW 8' AFF. FOR PHYSICAL PROTECTION.
 4. STEEL BACK BOX SHALL BE PROVIDE FOR ALL NEW ELECTRICAL DEVICES SUCH AS SWITCH, OUTLET AND CONDUCTOR SPLICE.
 5. ELECTRICAL CONTRACTOR IS RESPONSIBLE TO VERIFY THE EXISTING SWITCHBOARD AND PANELS ARE INSTALL PER ONE LINE DIAGRAM PRIOR TO WORKING, AND REPORT TO ENGINEERS IF ANY DISCREPANCY ARE FOUND.

1 SINGLE LINE DIAGRAM N.T.S



6 CONDUIT SUPPORT DETAIL N.T.S



NOTES:
 1. SIZE OF CONDUCTORS SHALL COMPLY WITH 2013 CEC TABLE 250-66.
 2. BOND SEPARATE CONDUCTORS FROM GROUND ROD TO ELECTRICAL PANEL AND TO METAL BUILDING FRAME PER 2013 CEC 250-50. IN ADDITION TO THE DETAIL SHOWN ABOVE BOND THE ELECTRICAL GROUND TO METAL WATER PIPE EMBEDDED AT LEAST 10 FT. IN SOIL IF AVAILABLE (CEC 250-50, 250-52).
 3. ALL MADE OF METAL FRAME BUILDINGS SHALL BE ELECTRICALLY BONDED TOGETHER, BOND TO HAND RAIL AND WATER PIPE IF APPLIED. (BOLTING ONLY IS NOT ACCEPTABLE BONDING).
 4. CHECK RESISTANCE TO GROUND. IF RESISTANCE EXCEED 25 OHMS, INSTALL ADDITIONAL GROUND RODS WITH CONDUCTORS AS SHOWN SEPARATED AT LEAST 6'-0" UNTIL RESISTANCE IS REDUCED TO 25 OHMS OR LESS (2013 CEC 250-84).
 5. FIELD INSPECTOR SHALL WITNESS GROUNDING TEST.

3 GROUNDING DETAIL N.T.S

Ownership of Documents
 This document, the ideas and designs incorporated herein, as an instrument of Professional Service is the property of Integrated Designs by SOMAM, Inc. and is not to be used, in whole or in part for any other project without written authorization.
 © COPYRIGHT 2013

integrated designs by SOMAM, Inc.
 ARCHITECTURE • ENGINEERING • INTERIOR DESIGN • CONSTRUCTION MANAGEMENT
 1011 N. Fremont, Suite 130 - Fresno, California 93710
 Phone (559) 438-0881 Fax (559) 438-0887
 www.integrateddesigns.com E-Mail: design@somam.com

Rev. No.	Date	Description

DETAILS AND SYSTEM DIAGRAMS

MT. VERNON ELEMENTARY SCHOOL
4 RELOCATABLE CLASSROOMS
 BAKERSFIELD CITY SCHOOL DISTRICT
 2161 POTOMAC AVE., BAKERSFIELD, CA

Issue Date: 00/00/14
 Date: 05/28/14
 Designer: J CHONG
 DR: J CHONG
 PC: CUM

Agency Approval Stamp:
 FILE # 15-6
 IDENTIFICATION STAMP
 DIV. OF THE STATE ARCHITECT
 OFFICE OF REGULATION SERVICES
 03-117168
 AC: FLS
 DATE: AUG 04 2018
 TRACKING #: DSA TRACKING NO

CONSULTING ENGINEERS
John Chong Engineering
 JOHN S. CHONG
 E 14419
 Exp. 8/30/2018
 ELECTRICAL
 STATE OF CALIFORNIA

2071 E. REGATUR AVE. FRESNO CA 93710
 (559) 935-2266 • FAX 557-3441
 jchong@eao1.com

Job No: **5125**

Sheet No: **E-4**

Release: