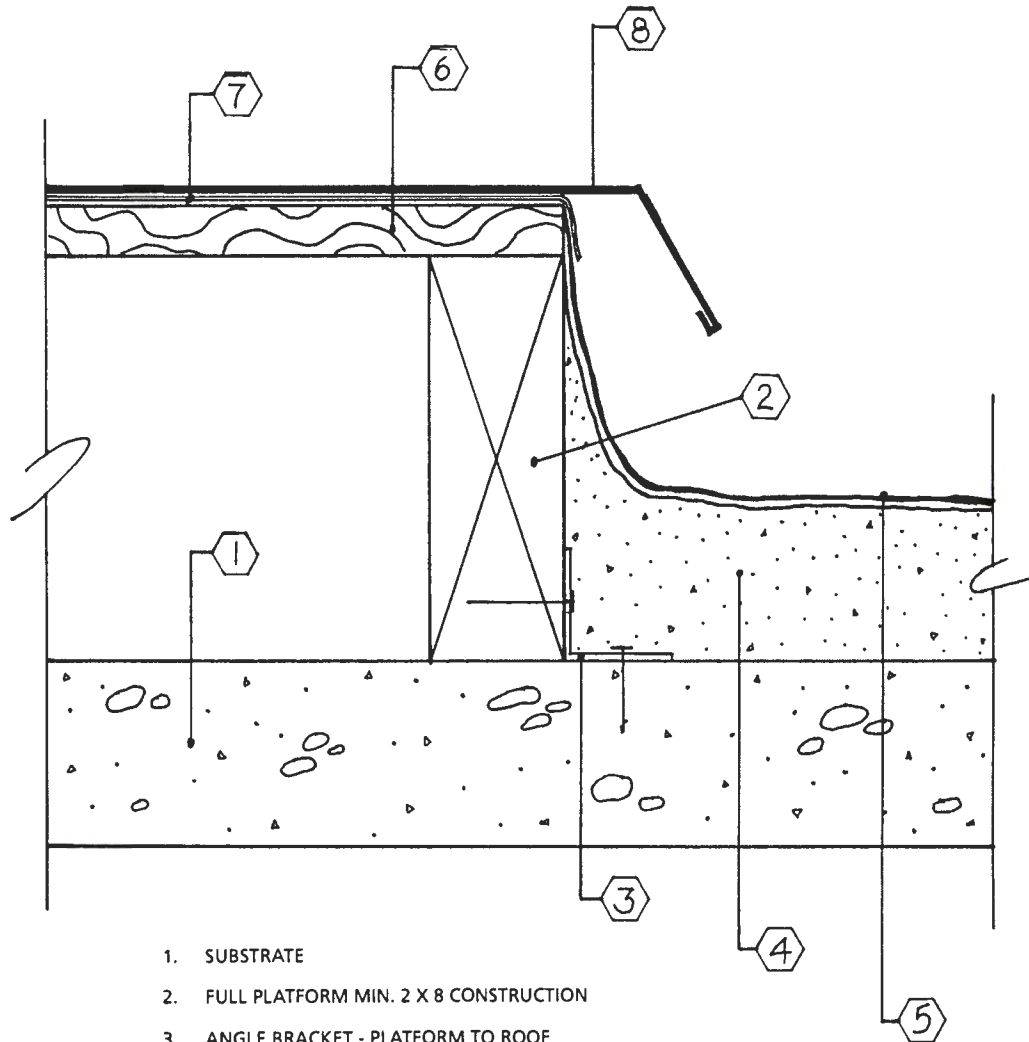


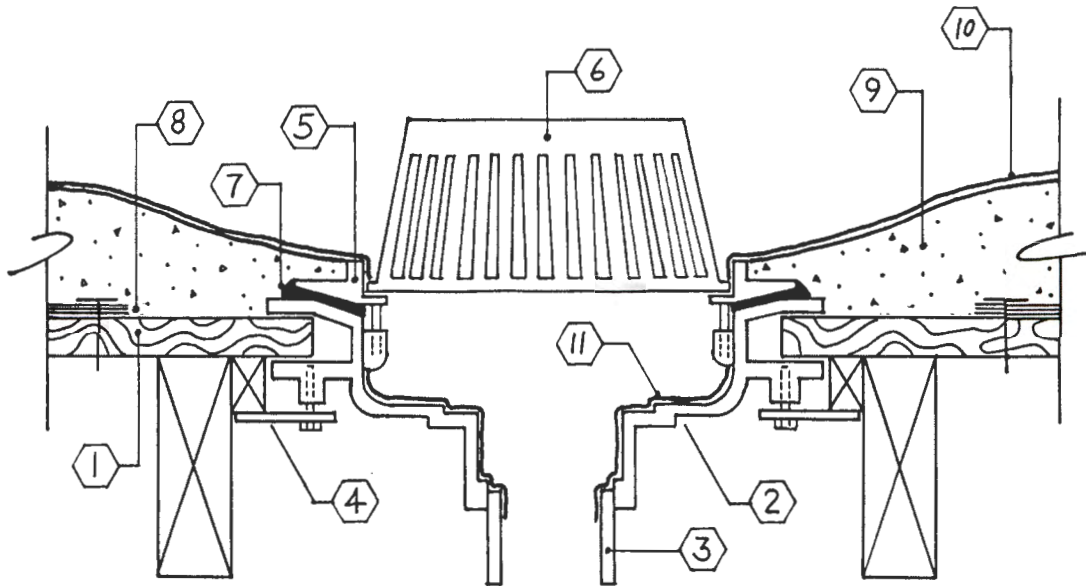
DETAIL 1, HVAC / EQUIPMENT PLATFORM



1. SUBSTRATE
2. FULL PLATFORM MIN. 2 X 8 CONSTRUCTION
3. ANGLE BRACKET - PLATFORM TO ROOF
4. SPRAYED POLYURETHANE INSULATION
5. ELASTOMERIC COATING SYSTEM (WITH GRANULE SURFACING)
6. MINIMUM 1/2 INCH PLYWOOD PLATFORM TOP
7. HENRY RUFTAC OR SINGLE PLY MEMBRANE
8. 24 GA. GALVANIZED SEAMLESS OR STANDING SEAM PLATFORM COVER

For Modification Call Resin Technology Co. 1-800-729-0795

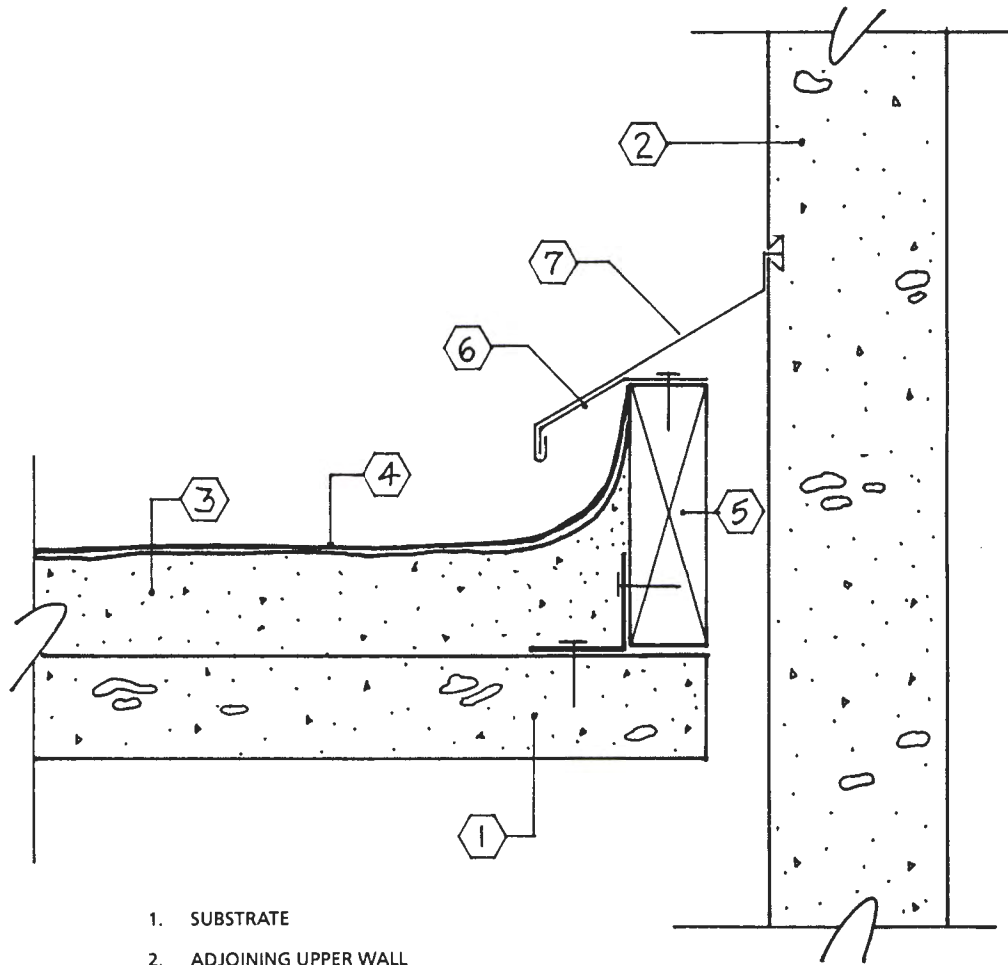
DETAIL 2, INTERNAL ROOF DRAIN



- | | |
|--|------------------|
| 1. SUBSTRATE | 4. DECK CLAMP |
| 2. DRAIN BOWL | 5. CLAMPING RING |
| 3. DRAIN PIPE | 6. STRAINER |
| 7. ELASTOMERIC SEALANT | |
| 8. BUILT-UP ROOFING REMOVED MINIMUM 12 INCHES FROM DRAIN BOWL FLANGE. EGDE OF BUR TO BE MECHANICALLY ATTACHED TO SUBSTRATE | |
| 9. SPRAYED POLYURETHANE INSULATION | |
| 10. ELASTOMERIC COATING SYSTEM WITH GRANULE SURFACING, DOUBLE COATING THICKNESS AROUND DRAIN AREA | |
| 11. RUN ELASTOMERIC COATING OVER CLAMPING RING AND INTO DRAIN BOWL | |

For Modification Call Resin Technology Co. 1-800-729-0795

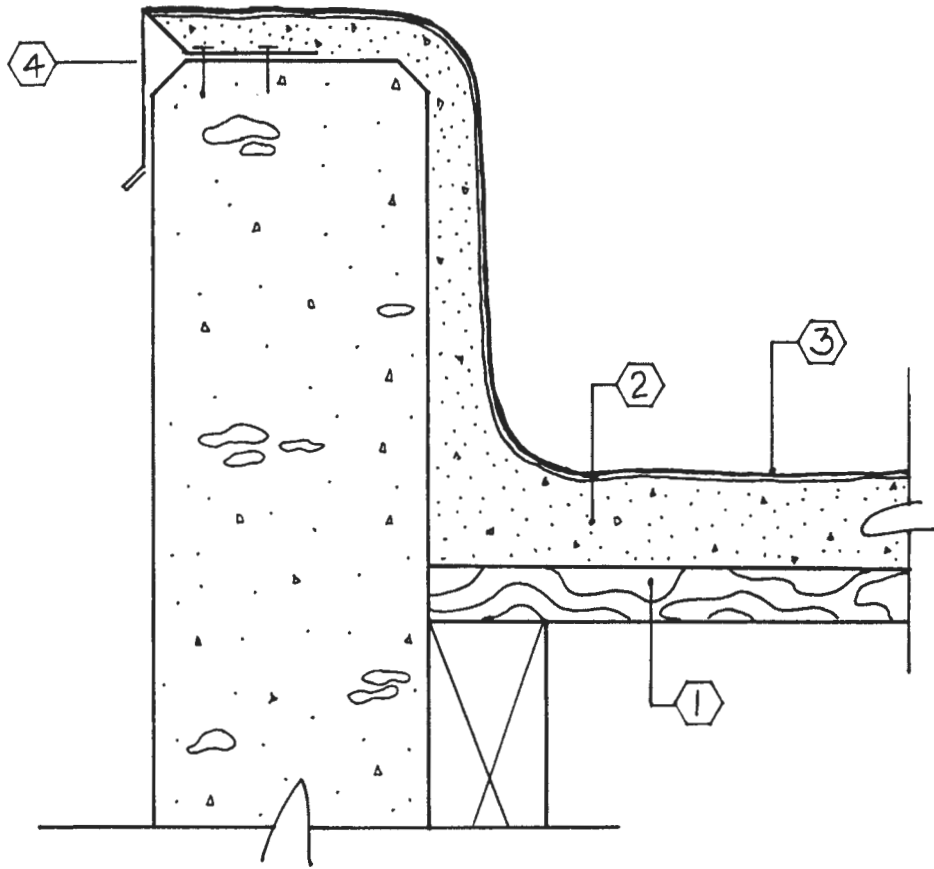
DETAIL 3, LOWER ROOF ADJOINING WALL



1. SUBSTRATE
2. ADJOINING UPPER WALL
3. SPRAYED POLYURETHANE INSULATION
4. ELASTOMERIC COATING SYSTEM (WITH GRANULE SURFACING)
5. TREATED WOOD NAILER MECHANICALLY ATTACHED TO SUBSTRATE
6. 20 GA. GALVINIZED CLEAT MECHANICALLY ATTACHED TO WOOD NAILER
7. 24 GA. GALVINIZED JOINT COVER

For Modification Call Resin Technology Co. 1-800-729-0795

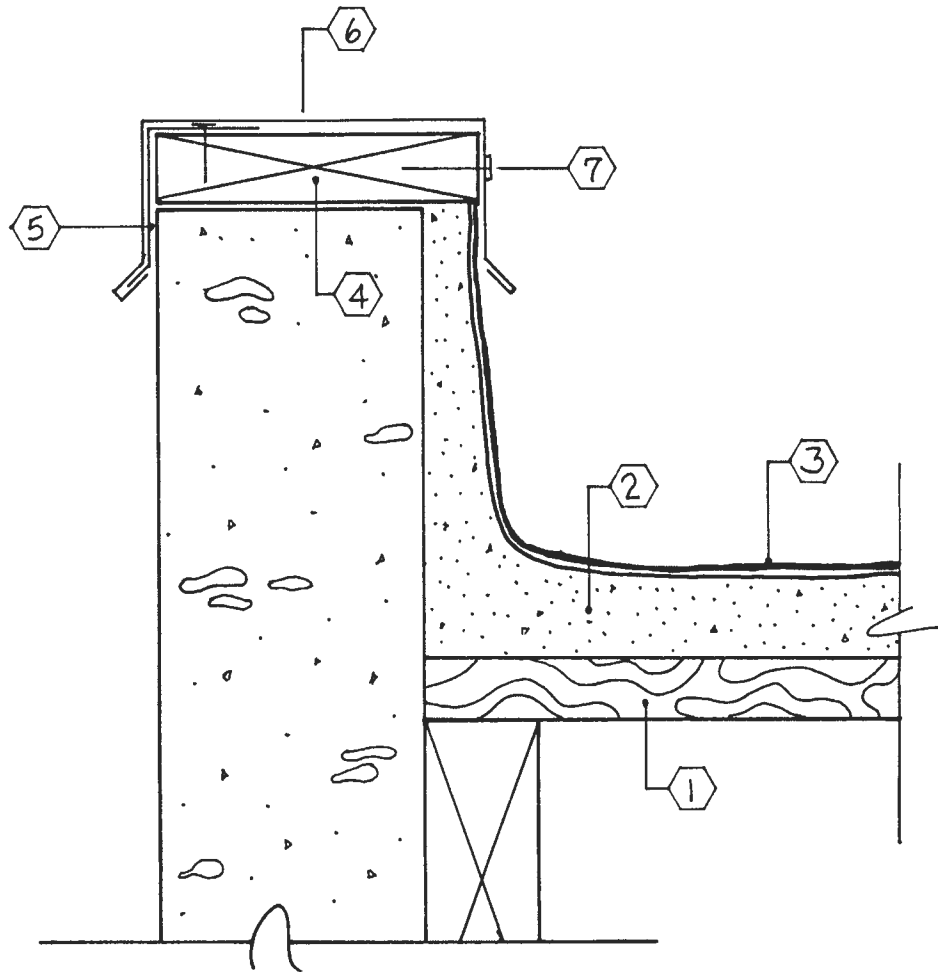
DETAIL 5, PARAPET WALL / PERIMETER EDGE METAL FLASHING



1. SUBSTRATE
2. SPRAYED POLYURETHANE INSULATION
3. ELASTOMERIC COATING SYSTEM (WITH GRANULE SURFACING)
4. 24 GA. GALVANIZED EDGE METAL MECHANICALLY ATTACHED WITH CONCRETE SCREWS OR EXPANDING FASTENERS MINIMUM 9 INCH ON CENTER

For Modification Call Resin Technology Co. 1-800-729-0795

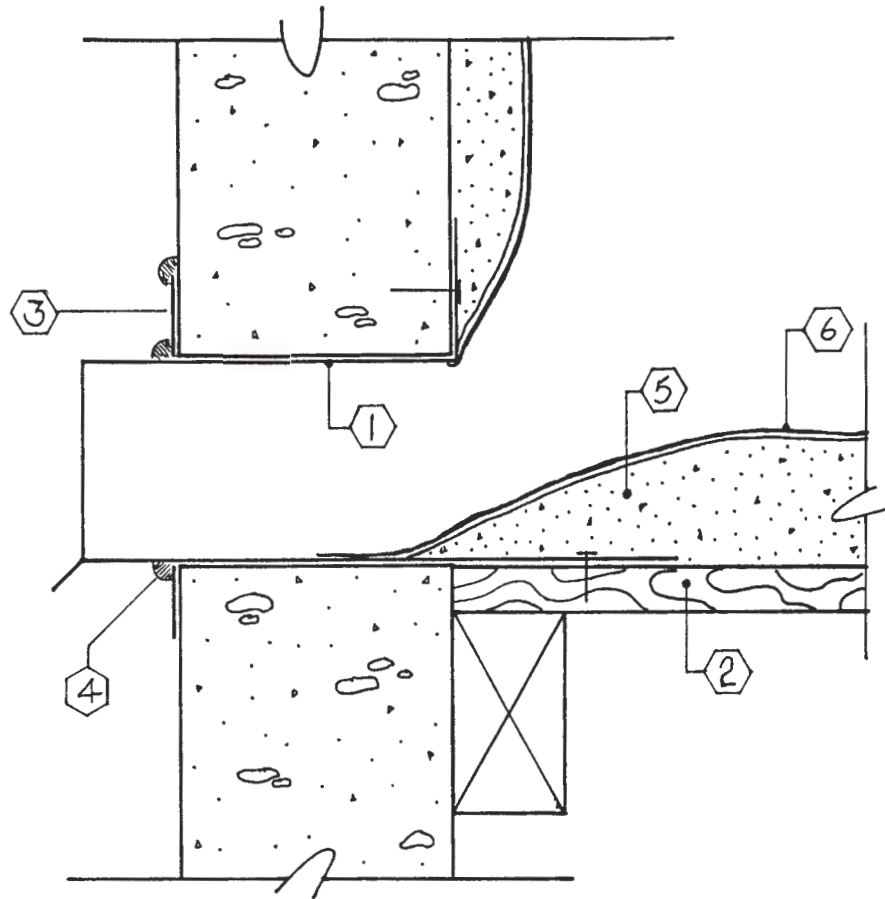
DETAIL 6, PARAPET WALL / WITH COPING



1. SUBSTRATE
2. SPRAYED POLYURETHANE INSULATION
3. ELASTOMERIC COATING SYSTEM (WITH GRANULE SURFACING)
4. TREATED WOOD NAILER MECHANICALLY ATTACHED TO TOP OF PARAPET
5. 22 GA. GALVANIZED CLEAT MECHANICALLY ATTACHED TO WOOD NAILER
6. 24 GA. GALVANIZED STANDING SEAM COPING
7. FASTENER WITH NEOPRENE/LEAD GASKET

For Modification Call Resin Technology Co. 1-800-729-0795

DETAIL 7, THRU-WALL SCUPPER

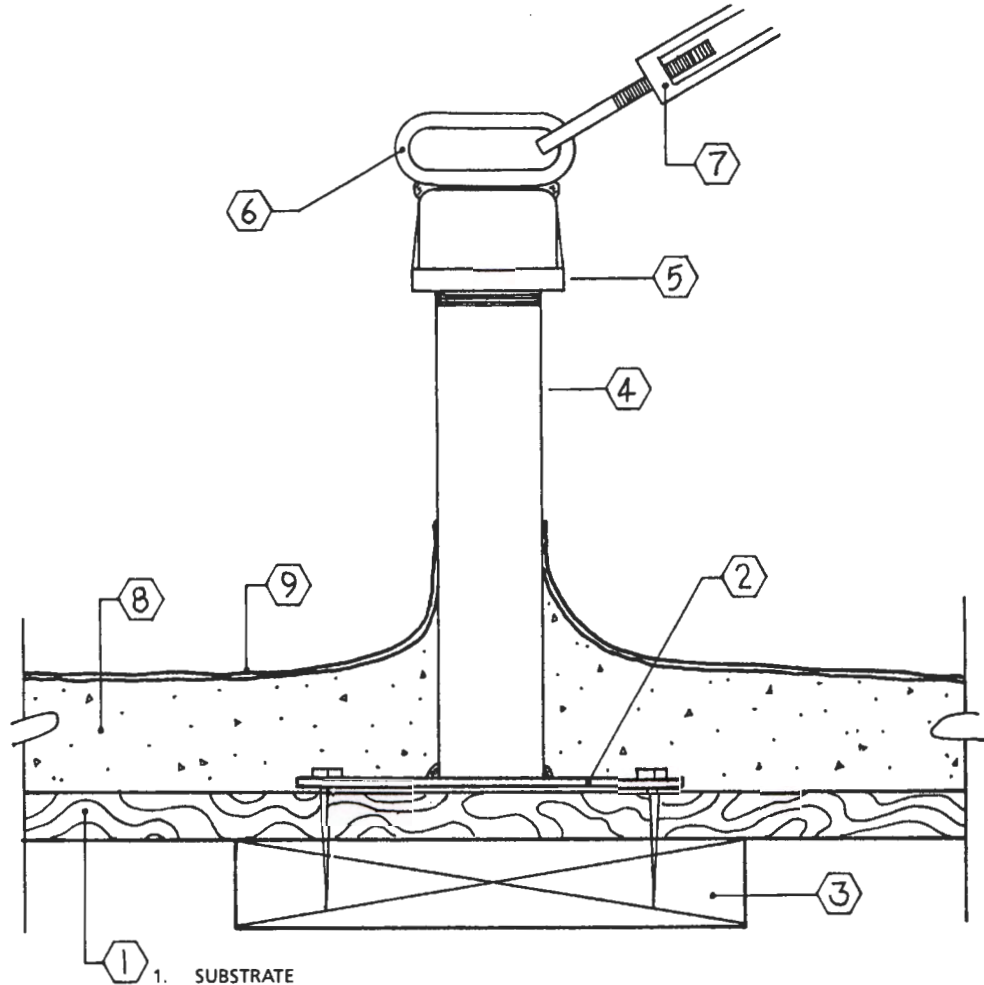


1. 24 GA. GALVANIZED SCUPPER ALL JOINTS SOLDERED
2. SUBSTRATE
3. EXTERIOR COVER PLATE
4. ELASTOMERIC CAULKING
5. SPRAYED POLYURETHANE INSULATION
6. ELASTOMERIC COATING SYSTEM (WITH GRANULE SURFACING)

NOTE: INSIDE OPENING NOT TO SCALE

For Modification Call Resin Technology Co. 1-800-729-0795

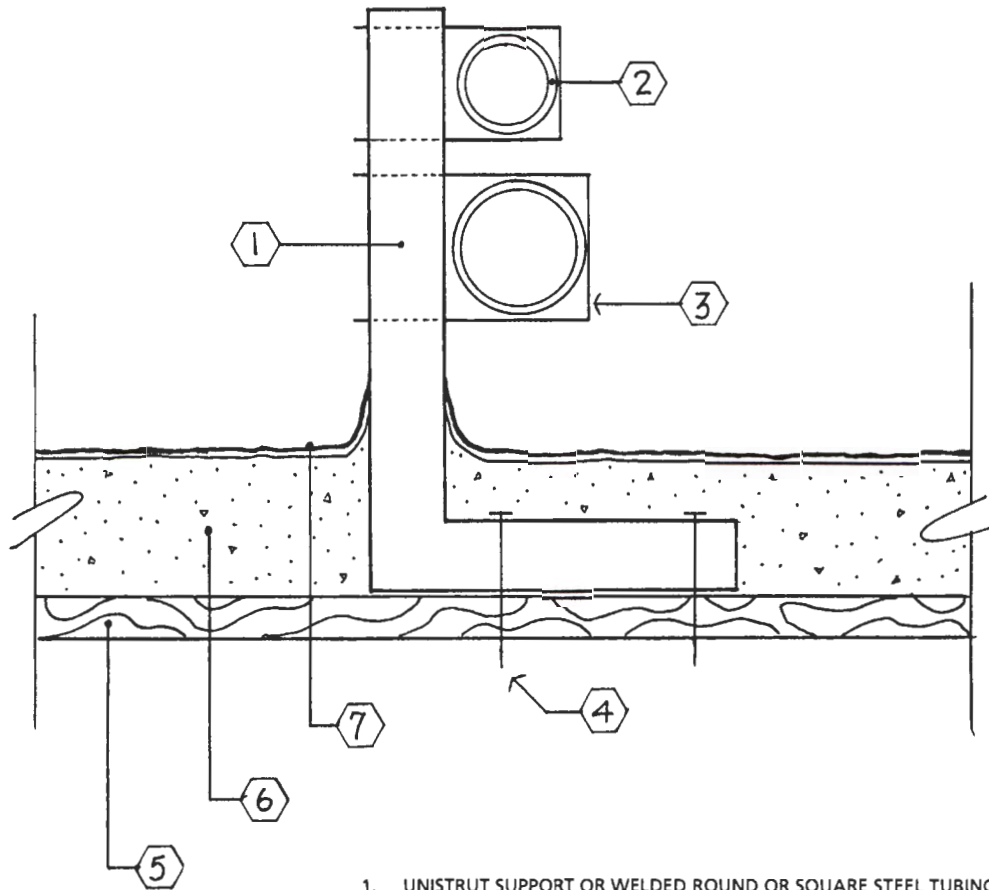
DETAIL 8, GUY WIRE STANCHION



1. SUBSTRATE
2. MINIMUM 6" X 6" X 1/8" STEEL PLATE MECHANICALLY ATTACHED TO SUBSTRATE WITH LAG BOLTS OR THRU DECK BOLTS
3. STRUCTURAL MEMBER OR WOOD OR STEEL BACKING
4. MINIMUM 3/4" RISER PIPE WELDED TO PLATE
5. STANDARD PIPE CAP THREADED ONTO PIPE RISER
6. CHAIN LINK WELDED TO PIPE CAP
7. TURNBUCKLE ATTACHED TO PIPE RISER AND CABLE
8. SPRAYED POLYURETHANE INSULATION
9. ELASTOMERIC COATING SYSTEM (WITH GRANULE SURFACING)

For Modification Call Resin Technology Co. 1-800-729-0795

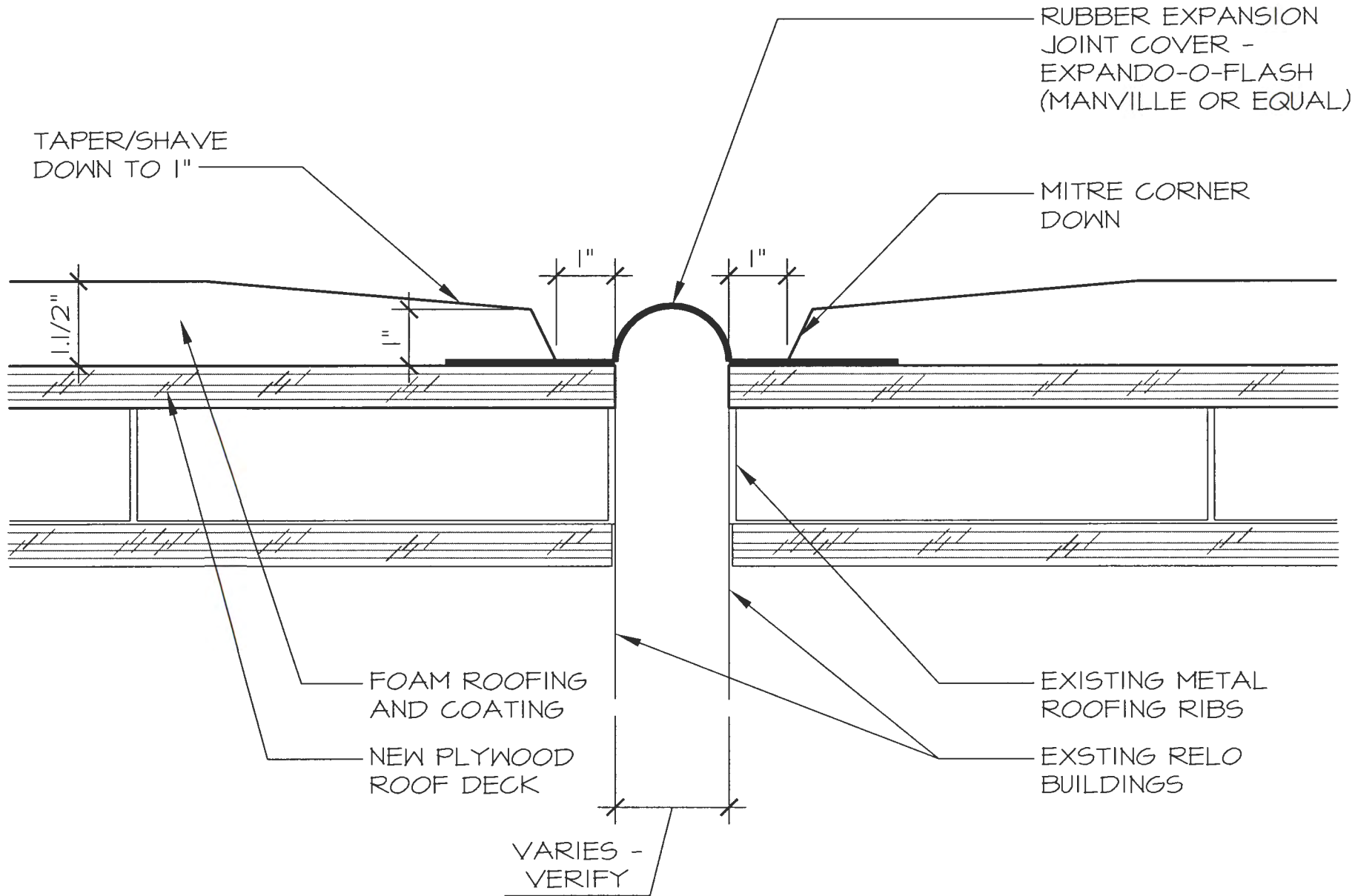
DETAIL 9, CONDUIT AND PIPE SUPPORT



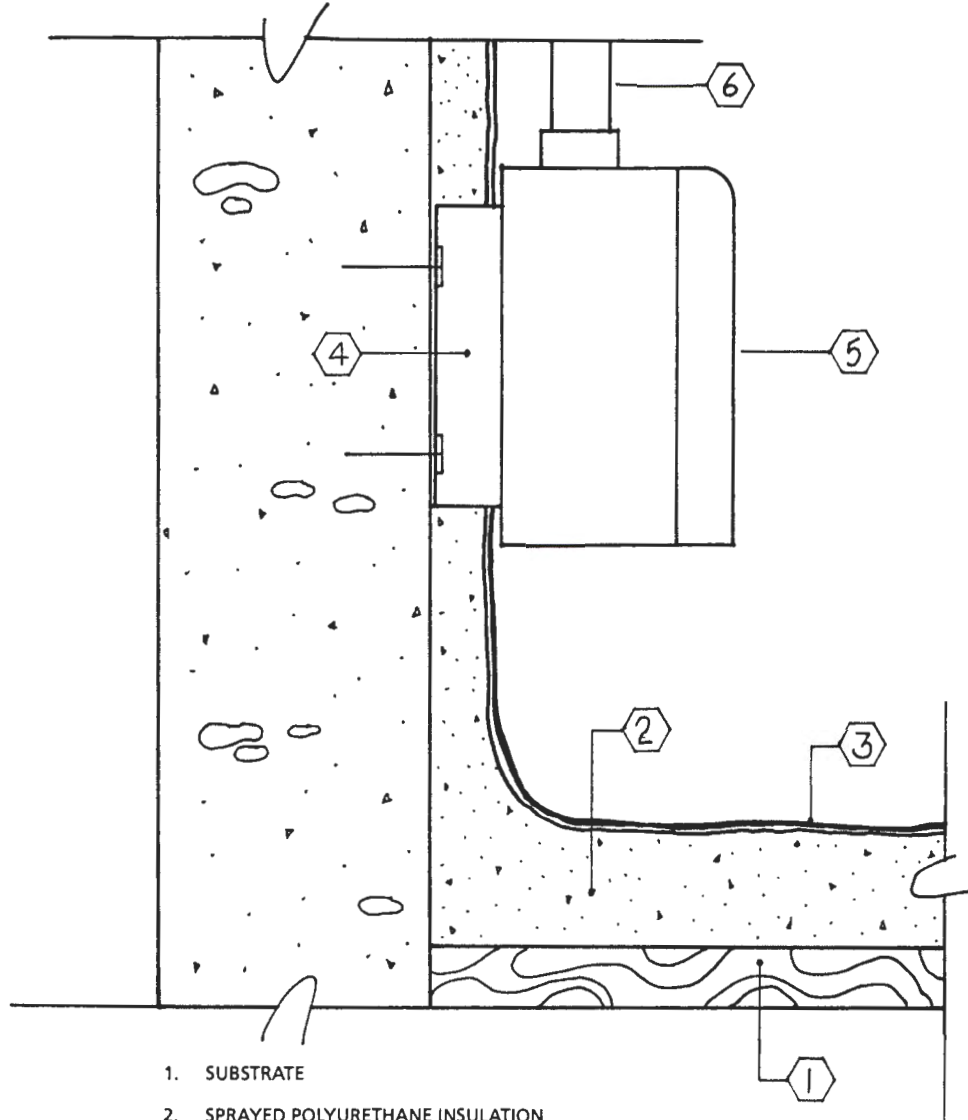
1. UNISTRUT SUPPORT OR WELDED ROUND OR SQUARE STEEL TUBING
2. CONDUIT OR PIPING
3. U-BOLT OR UNISTRUT FASTENER
4. BRACKET FASTENED TO DECK MAY REQUIRE UNDERSIDE BLOCKING
5. SUBSTRATE
6. SPRAYED POLYURETHANE INSULATION
7. ELASTOMERIC COATING SYSTEM (WITH GRANULE SURFACING)

For Modification Call Resin Technology Co. 1-800-729-0795

DETAIL 12a - EXPANSION JOINT



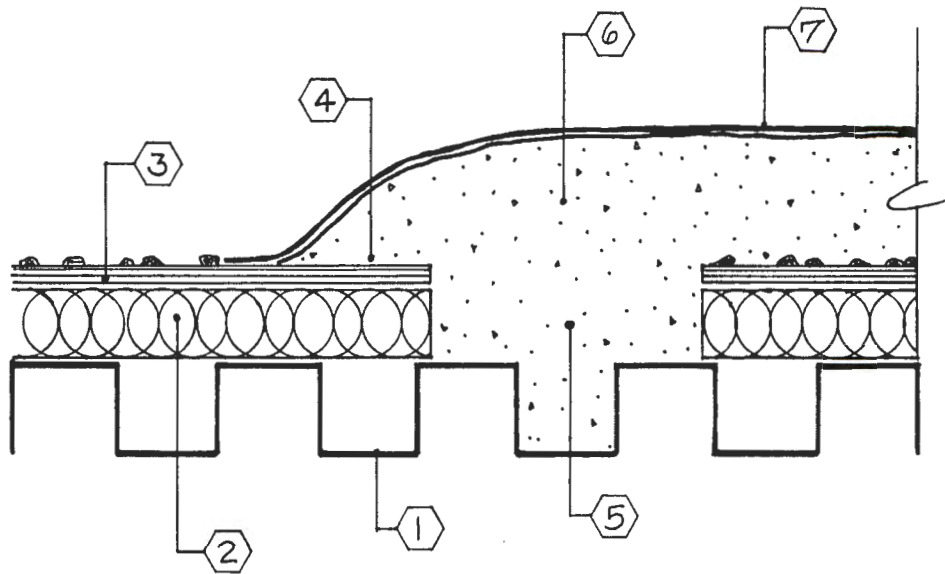
DETAIL 13, ELECTRICAL BOX / WALL MOUNT



1. SUBSTRATE
2. SPRAYED POLYURETHANE INSULATION
3. ELASTOMERIC COATING SYSTEM (WITH GRANULE SURFACING)
4. UNISTRUT OR SQUARE STEEL TUBING SPACER MECHANICALLY ATTACHED TO WALL
5. ELECTRICAL BOX REMOVED FROM WALL AND MOUNTED ON SPACER
6. CONDUIT

For modification call Resin Technology Co. 1-800-729-0795

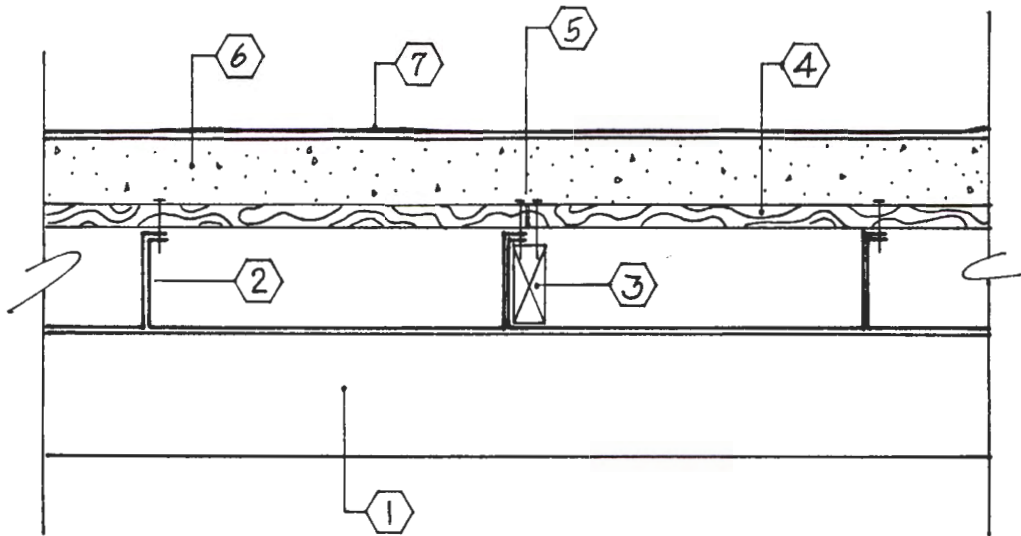
DETAIL 14, WATER BLOCK



1. SUBSTRATE
2. RIGID BOARD INSULATION
3. BUILT-UP ROOF GRAVEL SURFACED
4. GRAVEL SURFACE REMOVED MINIMUM 12 INCHES
5. REMOVED INSULATION BOARD AND BUILT-UP ROOF MINIMUM 12 INCHES WIDE
6. SPRAYED POLYURETHANE INSULATION
7. ELASTOMERIC COATING SYSTEM (WITH GRANULE SURFACING)

For Modification Call Resin Technology Co. 1-800-729-0795

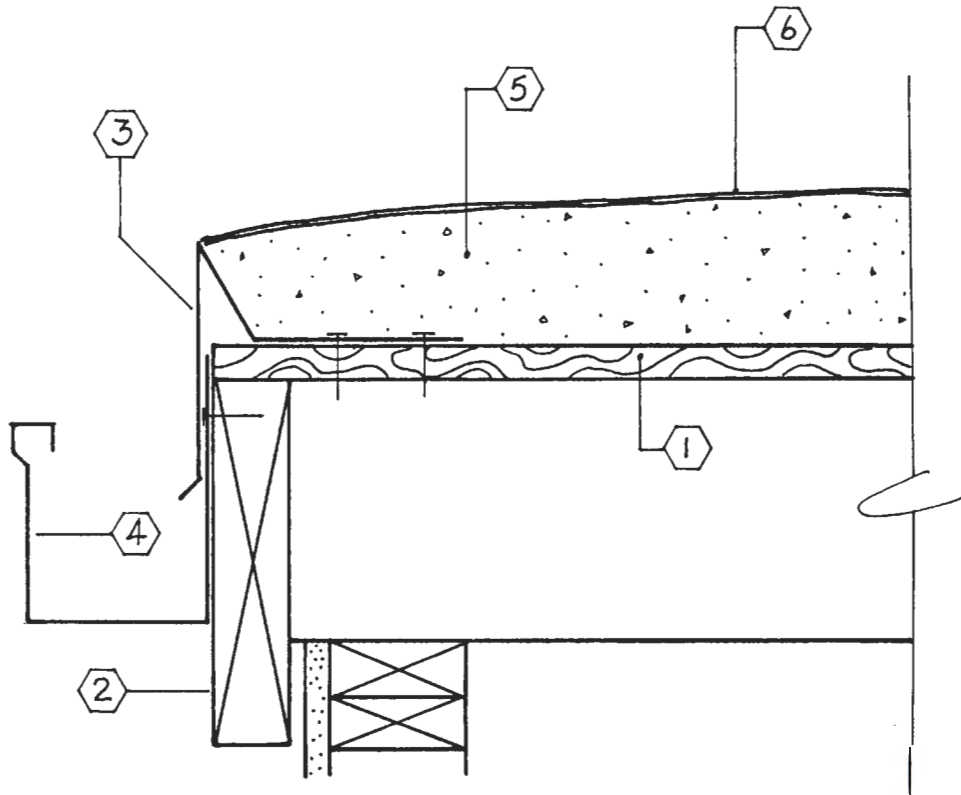
DETAIL 15, STANDING SEAM DECK



1. STRUCTURAL MEMBER
2. STANDING SEAM DECK
3. WOOD BACKING AT PLYWOOD JOINTS
4. 1/2 INCH "STRUCT-1" 4-PLY
5. MECHANICAL FASTENERS
6. SPRAYED POLYURETHANE INSULATION
7. ELASTOMERIC COATING SYSTEM (WITH GRANULE SURFACING)

For Modification Call Resin Technology Co. 1-800-729-0795

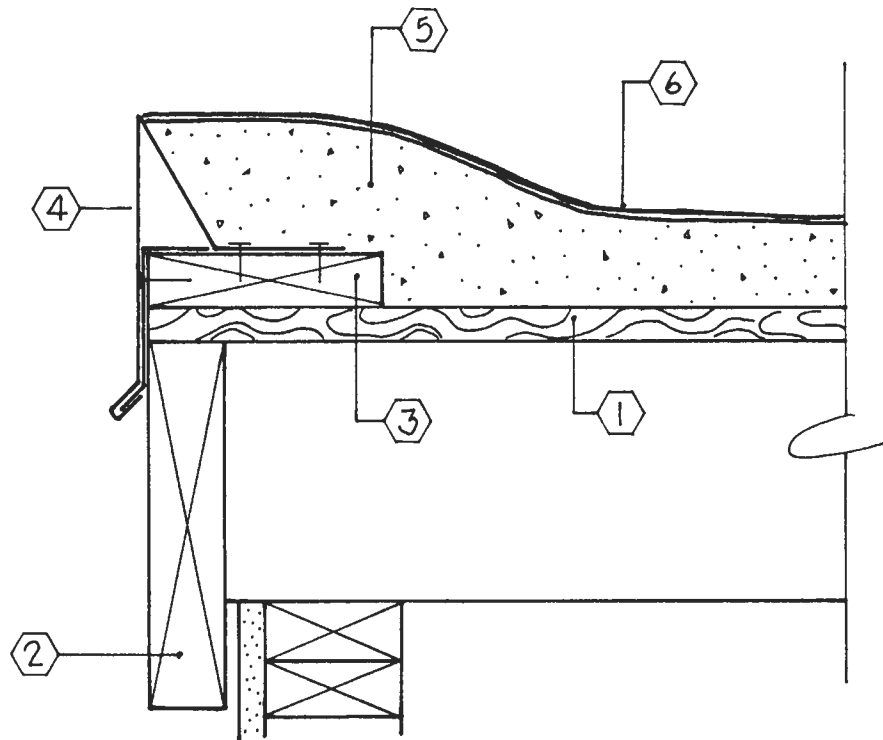
DETAIL 16, STANDARD PERIMETER EDGE METAL FLASHING



1. SUBSTRATE
2. FACIA
3. 24 GA. GALVANIZED EDGE METAL ATTACHED 4 INCH ON CENTER
4. MINIMUM 22 GA. GALVANIZED GUTTER GRADED (OPTIONAL)
5. SPRAYED POLYURETHANE INSULATION
6. ELASTOMERIC COATING SYSTEM (WITH GRANULE SURFACING)

For Modification Call Resin Technology Co. 1-800-729-0795

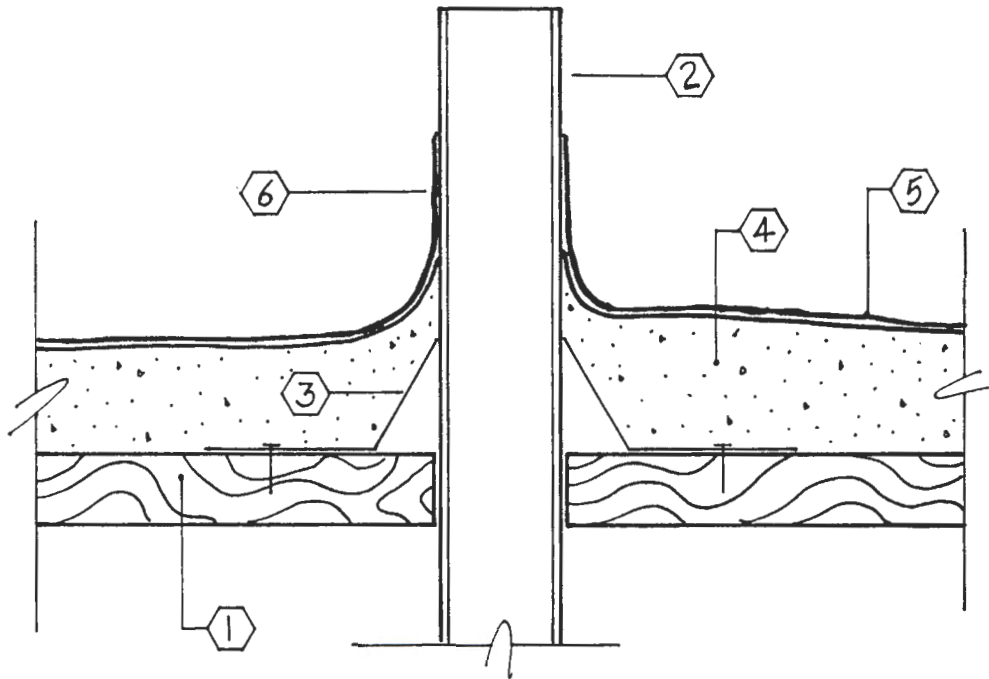
DETAIL 17, PERIMETER EDGE METAL FLASHING RAISED EDGE



1. SUBSTRATE
2. FACIA
3. RAISED EDGE NAILER (DESIGN HEIGHT VARIES)
4. 24 GA. GALVANIZED EDGE METAL ATTACHED 4 INCH ON CENTER
5. SPRAYED POLYURETHANE INSULATION
6. ELASTOMERIC COATING SYSTEM (WITH GRANULE SURFACING)

For Modification Call Resin Technology Co. 1-800-729-0795

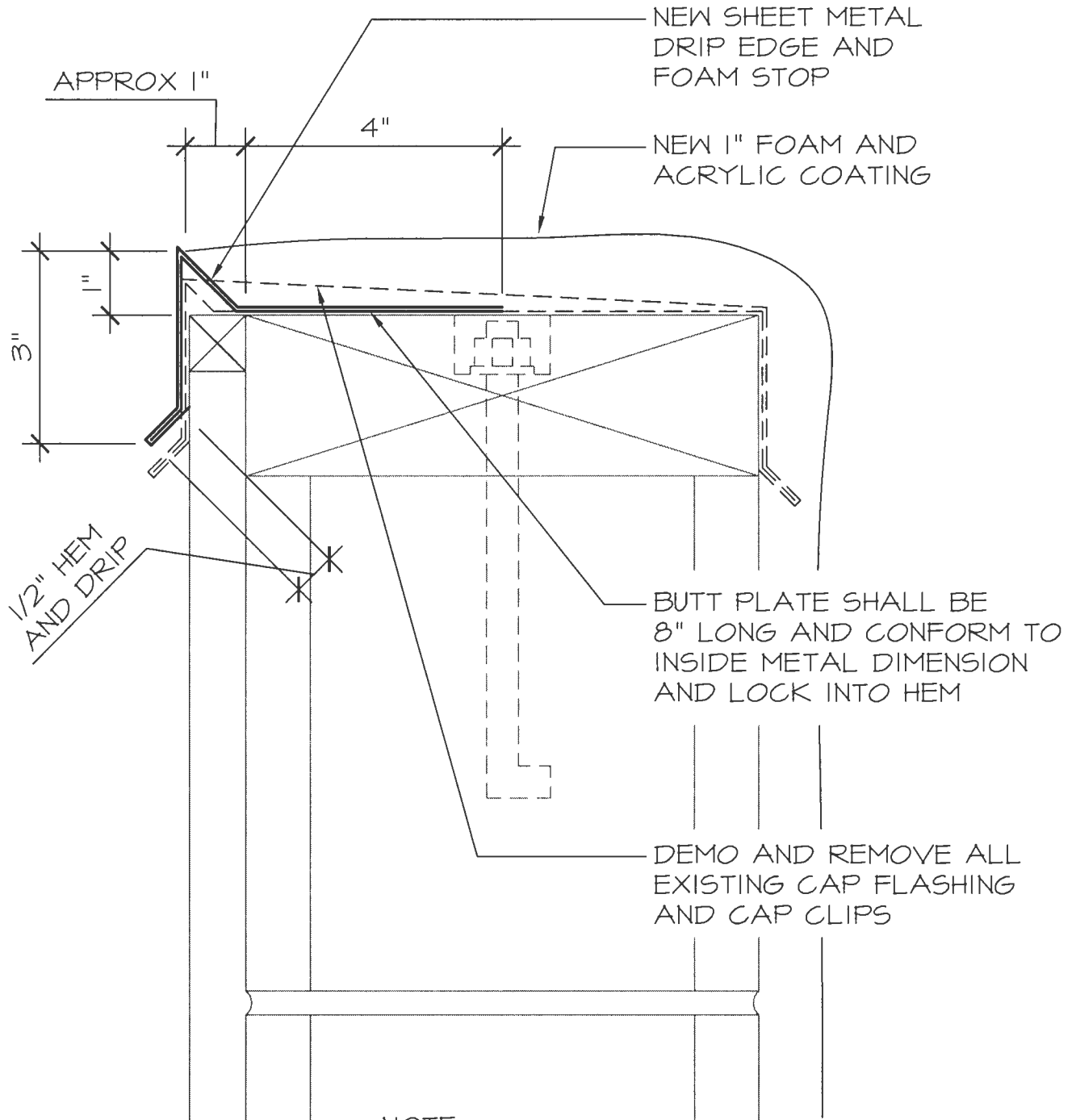
DETAIL 18, PIPE PENETRATION



1. SUBSTRATE
2. SOIL PIPES
3. 24 GA. GALVANIZED STANDARD G.I. FLASHING
4. SPRAYED POLYURETHANE INSULATION
5. ELASTOMERIC COATING SYSTEM (WITH GRANULE SURFACING)
6. PROTECTIVE COATING TO EXTEND A MINIMUM 2 INCHES BEYOND INSULATION TERMINATION

For Modification Call Resin Technology Co. 1-800-729-0795

ST-1 : FLASHING DETAIL



NOTE:
ALL NEW MATERIALS
SHALL BE 24 GA
GALVANIZED