



SUBMITTAL

April 18, 2024

Project: Bakersfield City School District HVAC Replacement
Location: Bakersfield, California
Owner: Bakersfield City School District
Prepared By: Dave Nolte

Exhaust Fans

CEILING FAN REPLACEMENT FOR GREENHECK MODEL SP-A50-90-VG

Designation	EF-1
Manufacturer	Greenheck
Model	SP-A50-90-VG
Type	Ceiling
CFM	L50 / M80/ H110
ESP (in wg)	0.2
RPM	887
Watts	6
Sones	0.6
Drive	Direct
Volts / Ph	115 / 1
Oper Wt (lbs)	19
Accessories	1 thru 8

Accessories:

1. Motor rated for continuous use
2. Motor with thermal overload
3. Motor with 40° ambient temperature
4. UL/cUL 507 Listed – electric fan
5. Flat roof flashing flange, shipped loose
6. Round duct connection
7. Adjustable mounting bracket
8. Standard Grille
9. Polypropylene wheel material

*Access doors, interlocking, roofing, controls, timers, starters, mounting hardware, special paints or finishes, and any other accessory **NOT** specifically listed above is **NOT** included.*

No exceptions taken.

Model: SP-AP0511W-1

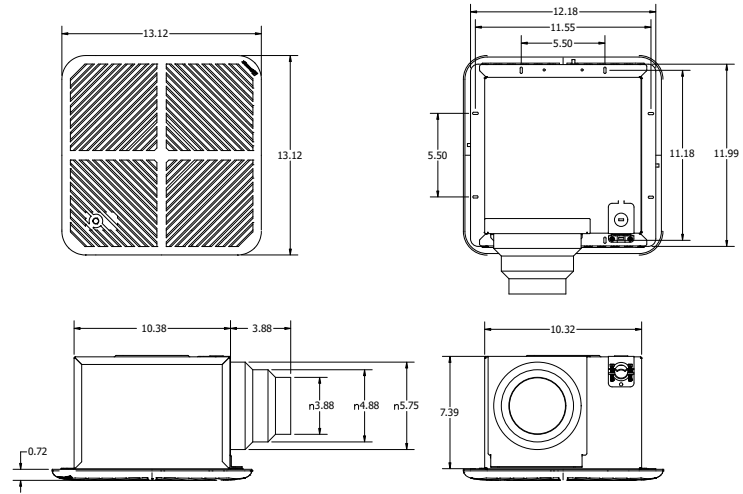
Ceiling Exhaust Fan

Standard Construction Features:

- Painted steel housing - White non-yellowing grille - Round outlet duct collar with integral backdraft damper - Forward curved wheel - Plug type disconnect - Adj. mounting brackets - Customizable high speed (50-80-110 CFM)

Selected Options & Accessories:

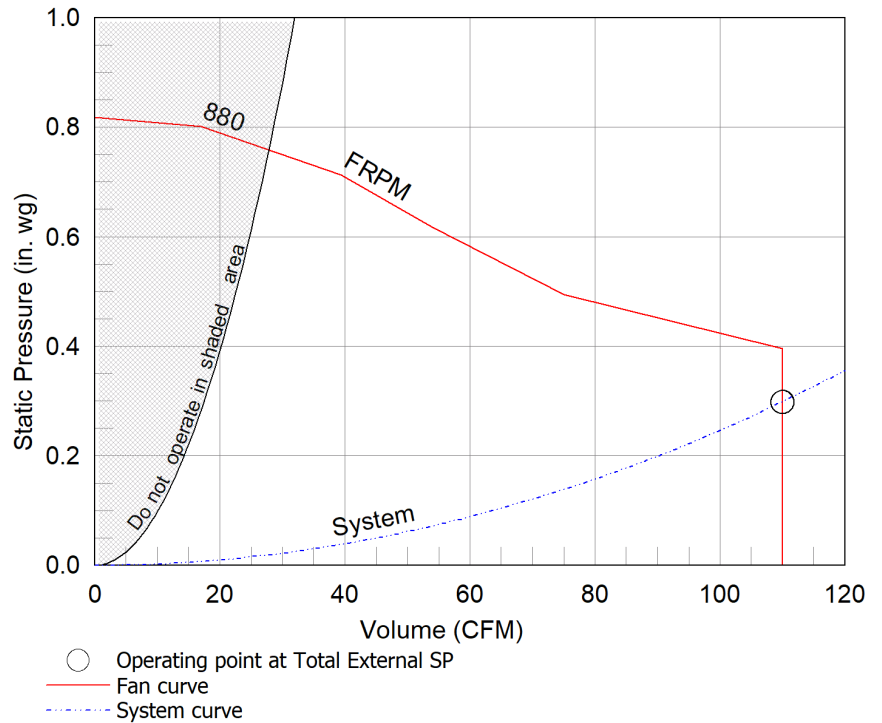
Motor rated for continuous use
 Motor with Thermal Overload
 Motor with CSA Approval
 Motor with 40 Degree C Ambient Temperature
 UL/cUL 507 Listed - Electric Fan
 Flat Roof Flashing Flange (PN: RFC-7) Shipped Loose
 Round Duct Connection 6, 5, or 4 inch universal duct connector
 Adjustable easy installation mounting bracket
 Energy Star Most Efficient
 Polypropylene Wheel Material
 Can Be Used to Comply with: ASHRAE 62.2, California Title 24, and Washington State Energy Code



Dimensional	
Quantity	1
Weight w/o Acc's (lb)	10
Weight w/ Acc's (lb)	17

Performance	
Requested Volume (CFM)	90
Actual Volume (CFM)	110
Total External SP (in. wg)	0.299
Fan RPM	880
* FLA (A)	0.29
Elevation (ft)	328
Airstream Temp.(F)	70
Air Density (lb/ft3)	0.074
Sones	1.3

Motor	
Motor Mounted	Yes
** Input Watts (W)	17
Voltage/Cycle/Phase	115/60/1
Enclosure	TEAO



Notes:

All dimensions shown are in units of in.
 *FLA is approximate and will vary slightly with the motor.
 Sones - calculated using AMCA 301 at 5 ft
 ** Wattage is approximate and may vary between motors.

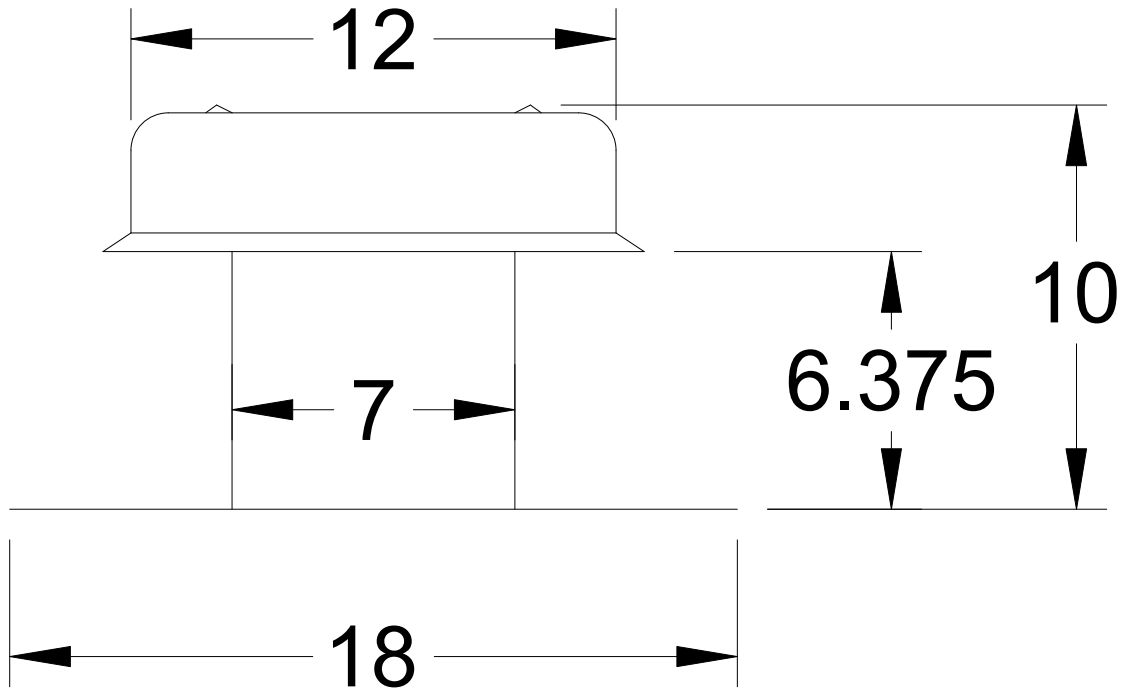


Discharge Accessory

Type: Roof Cap Flashed

Standard Construction Features:

- Aluminum Construction - Integral Birdscreen - Built-in Flashing Flange



Notes: All dimensions shown are in units of in.

AMCA



AMCA Licensed for Sound and Air Performance. Power Rating (Watt) includes transmission losses.

Greenheck Fan Corporation certifies that the model shown herein is licensed to bear the AMCA Seal. The ratings shown are based on tests and procedures performed in accordance with AMCA Publication 211 and AMCA Publication 311 and comply with the requirements of the AMCA Certified Ratings Program. Performance certified is for installation type B: Free inlet, Ducted outlet. Performance ratings include the effects of an inlet grille and backdraft damper. Speed (RPM) shown is nominal. Performance is based on actual speed of test. The watt ratings shown are at free air. The sound ratings shown are for loudness values in spherical sones at 5 ft. (1.5m) in a spherical free field calculated per Annex B of AMCA 311. Values shown are for installation type B: free inlet spherical sone levels. The AMCA Certified Ratings Seal applies to some ratings only.