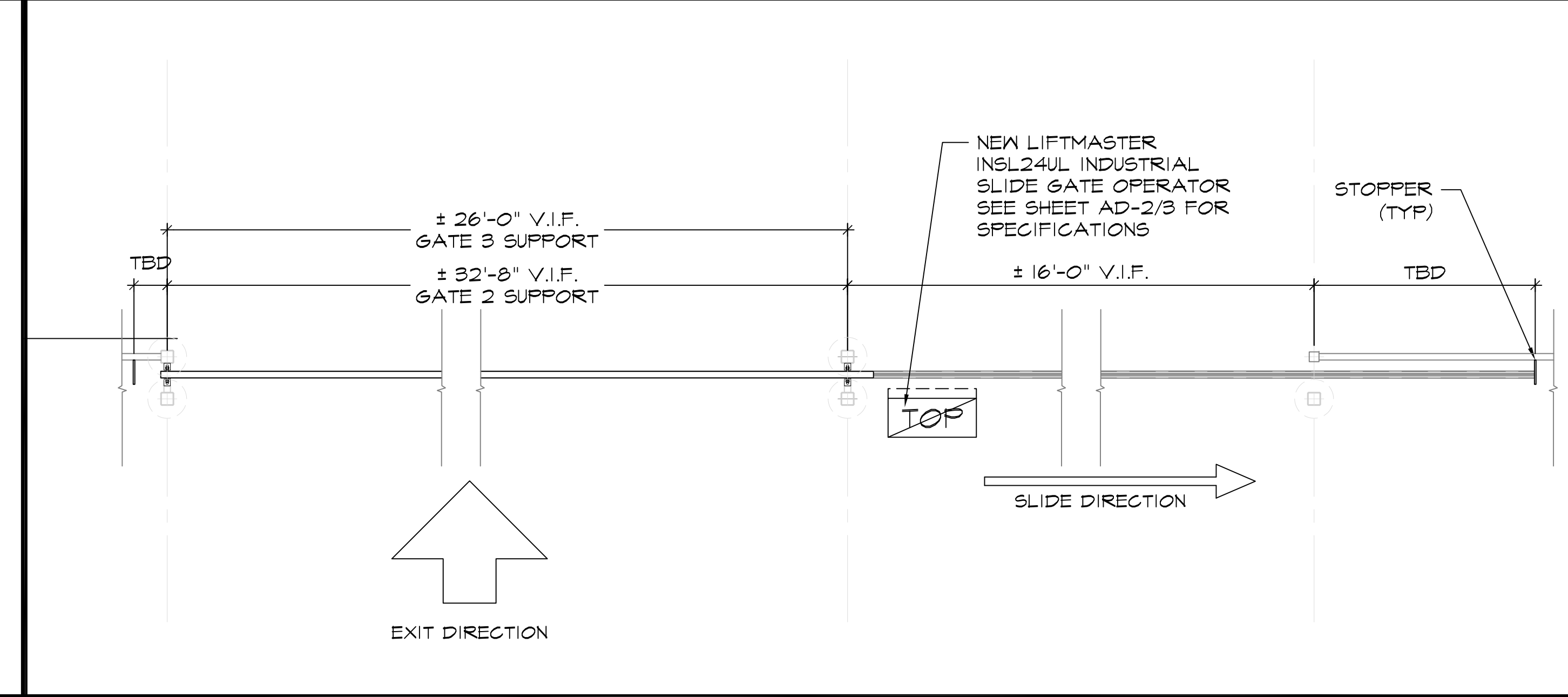
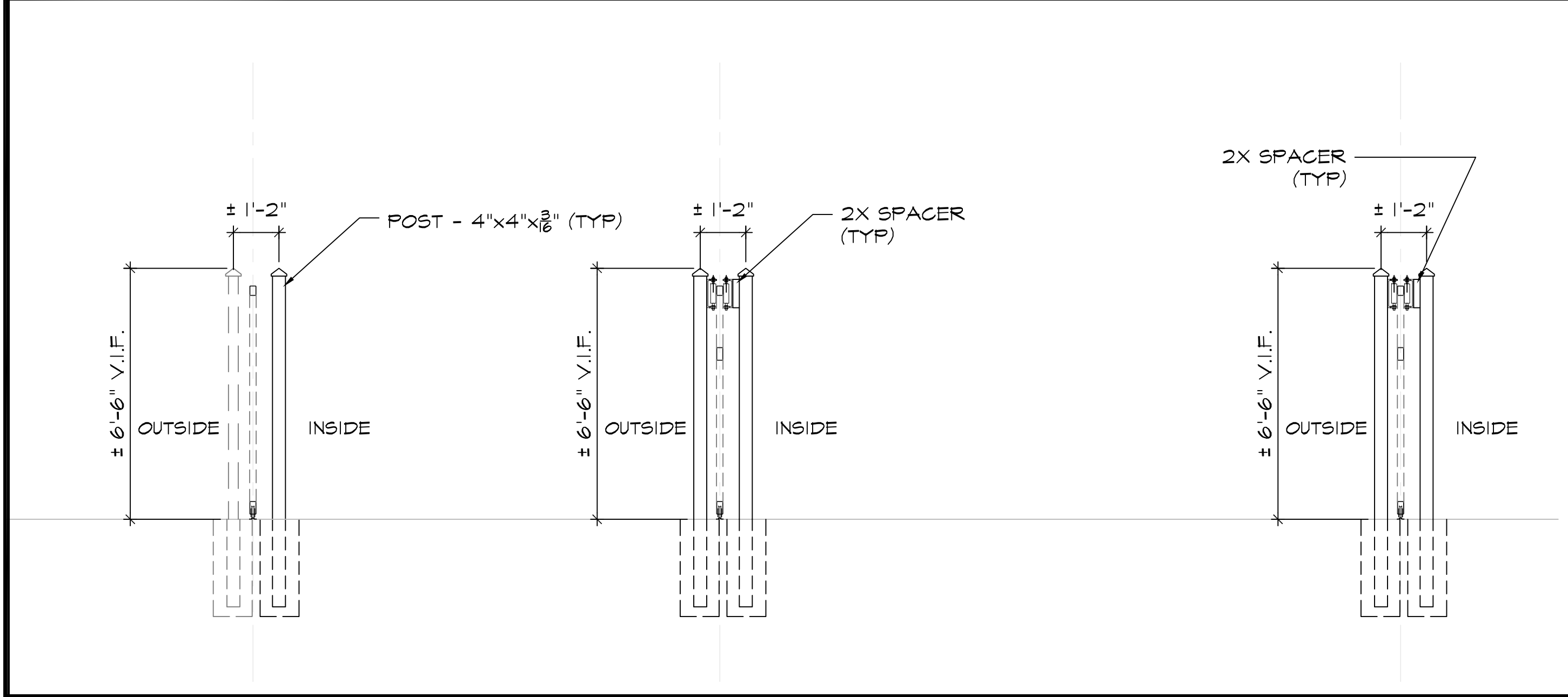


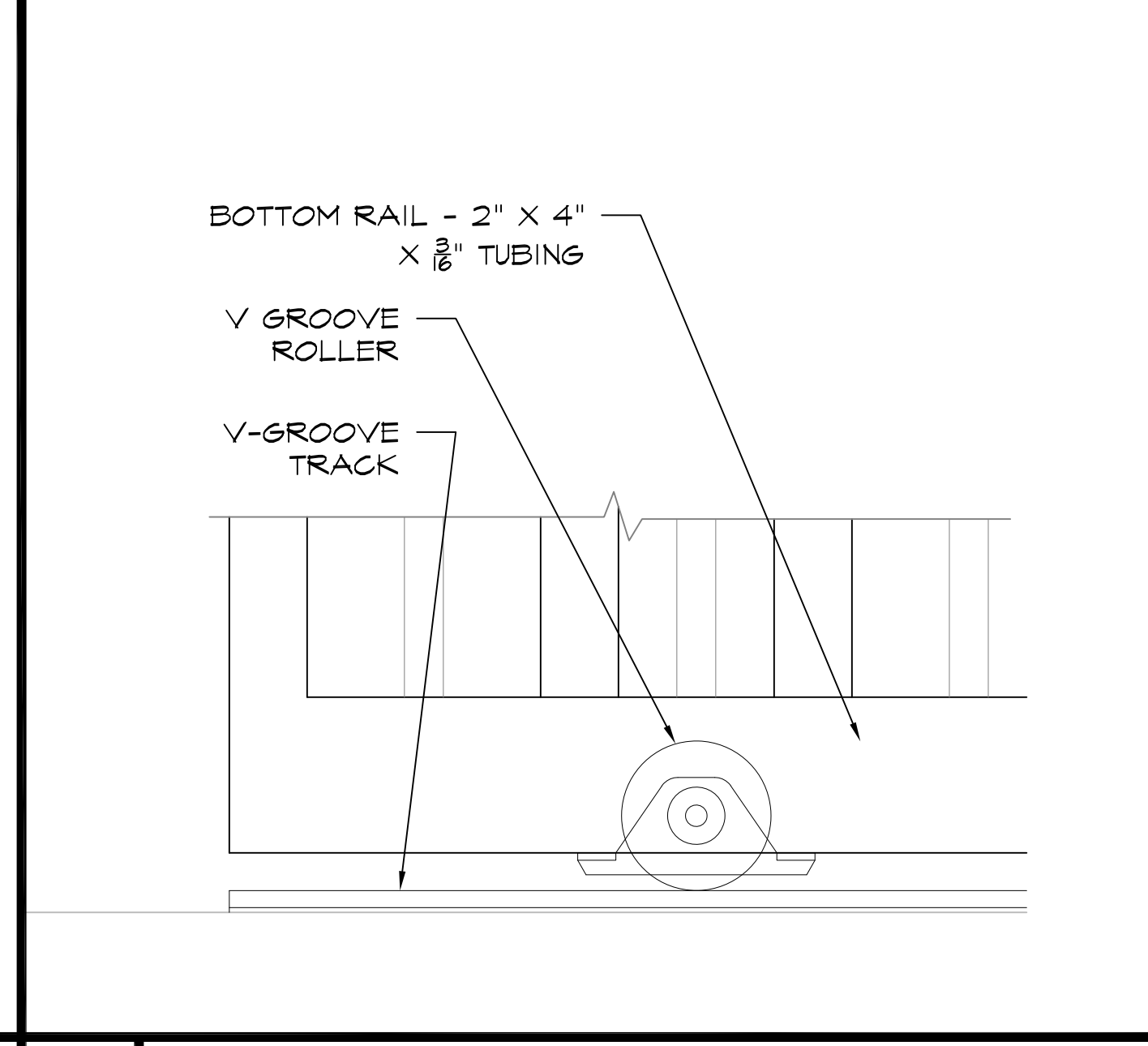
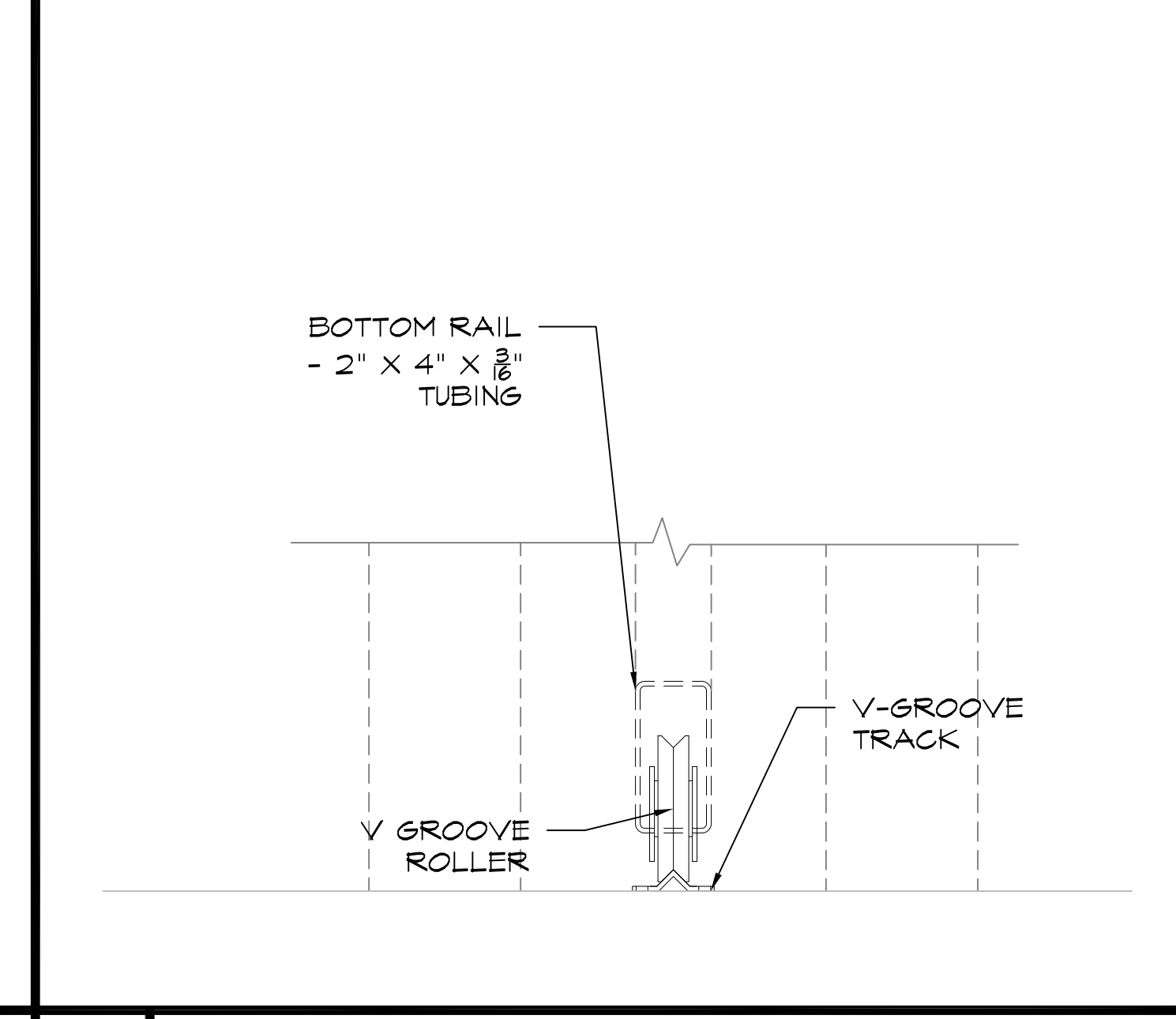
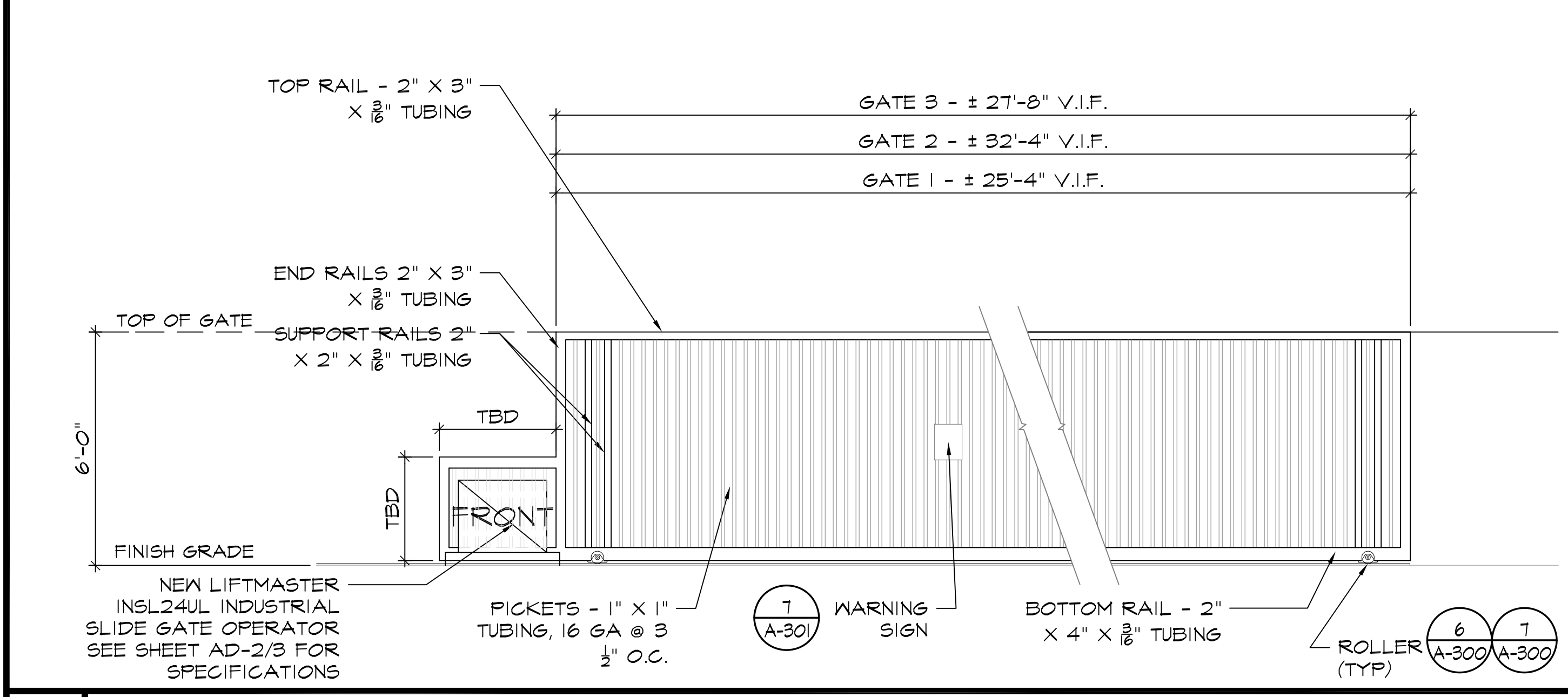
1 SUPPORT POST ELEVATION SCALE: 3/8"=1'-0" (FT IN) 0 1 2 4

2 GATE TRACK AND POST - LEFT SLIDE SCALE: 3/8"=1'-0" (FT IN) 0 1 2 4



3 SUPPORT POST PROFILE ELEVATIONS SCALE: 3/8"=1'-0" (FT IN) 0 1 2 4

4 GATE TRACK AND POST - RIGHT SLIDE SCALE: 3/8"=1'-0" (FT IN) 0 1 2 4

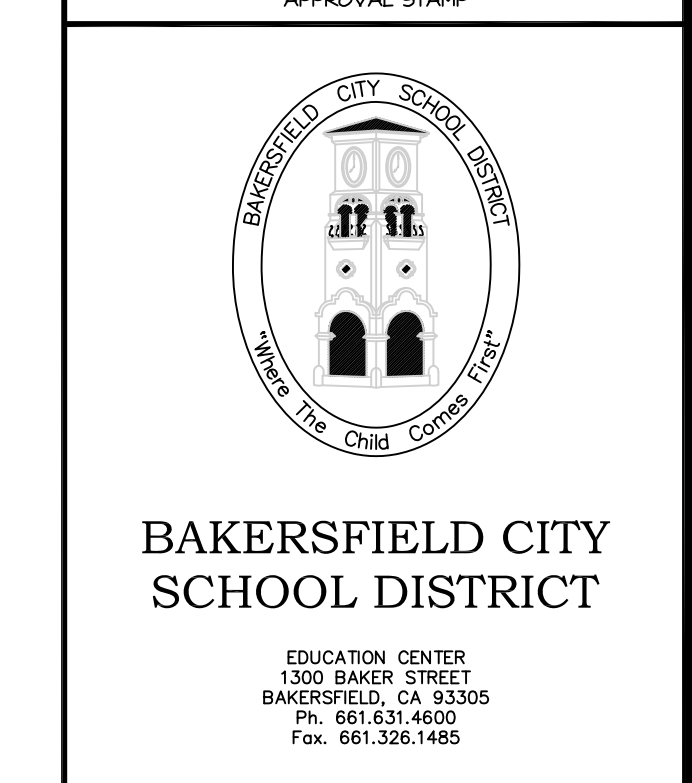


5 GATE PANEL ELEVATION SCALE: 3/8"=1'-0" (FT IN) 0 1 2 4

6 V-GROOVE WHEEL SCALE: 3"=1'-0" (IN INCHES) 0 3 6 9

7 V-GROOVE WHEEL SCALE: 3"=1'-0" (IN INCHES) 0 3 6 9

APPROVAL STAMP



DEPARTMENT:
MAINTENANCE,
OPERATIONS &
FACILITIES
1801 PELIZ DRIVE
BAKERSFIELD, CA 93307
PHONE: (661) 661-2005
FAX: (661) 661-4926

PROJECT:
GATE AND
FENCING
REPLACEMENT

DRAWINGS FOR:
ELP / FACE
714 WILLIAMS STREET
BAKERSFIELD, CA 93305

CONSULTANT:

REV. NO.:	TITLE:
1	

SHEET TITLE:
DETAILS

PROJECT NO.:

24224.00-69-MD

SHEET NO.:

A-300

RELEASE:

DATE: 4/24/24