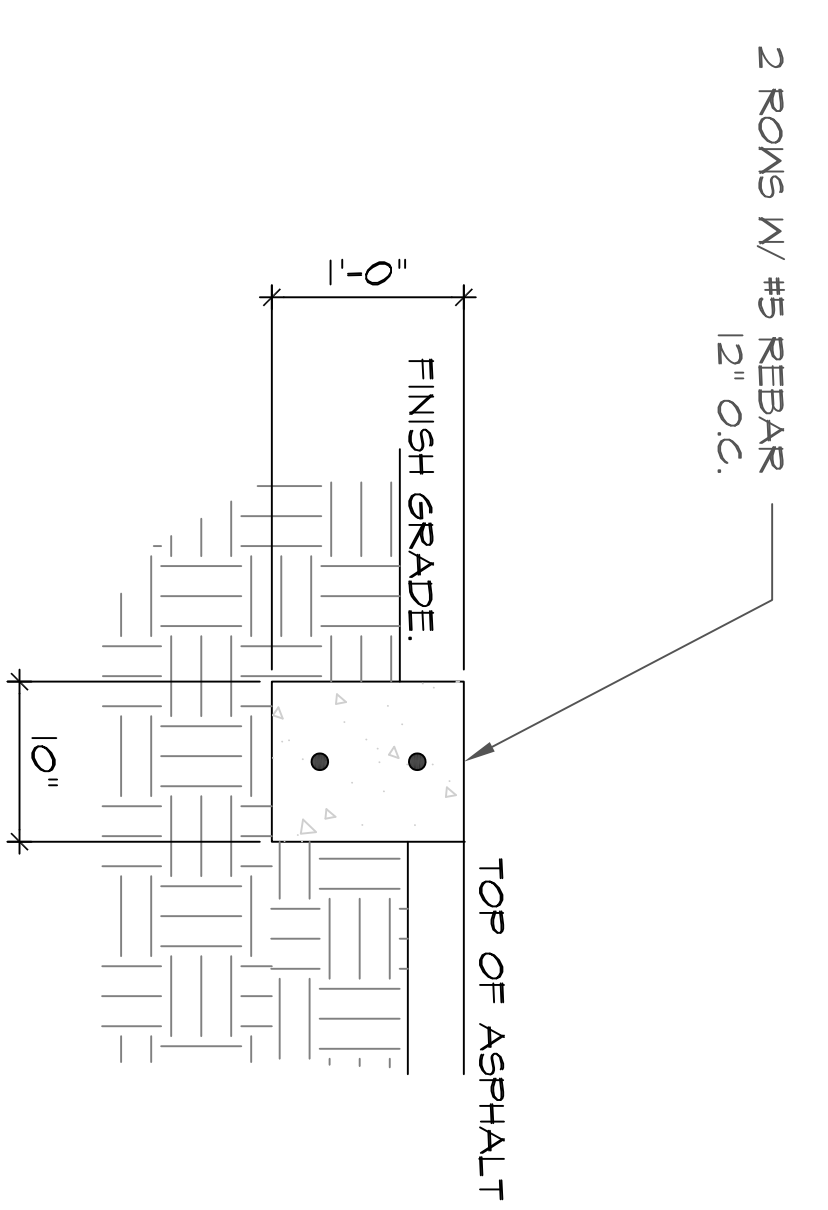
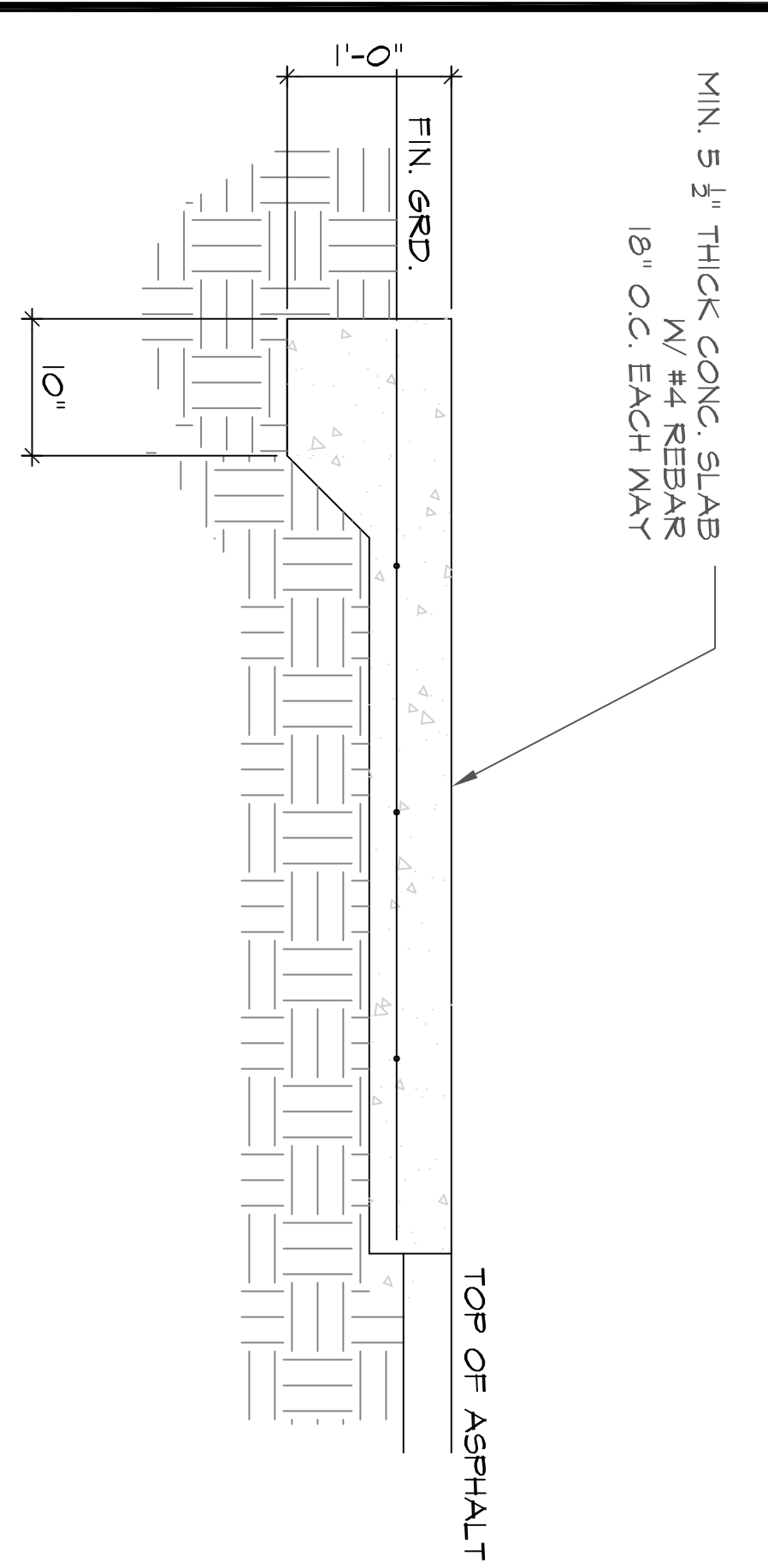


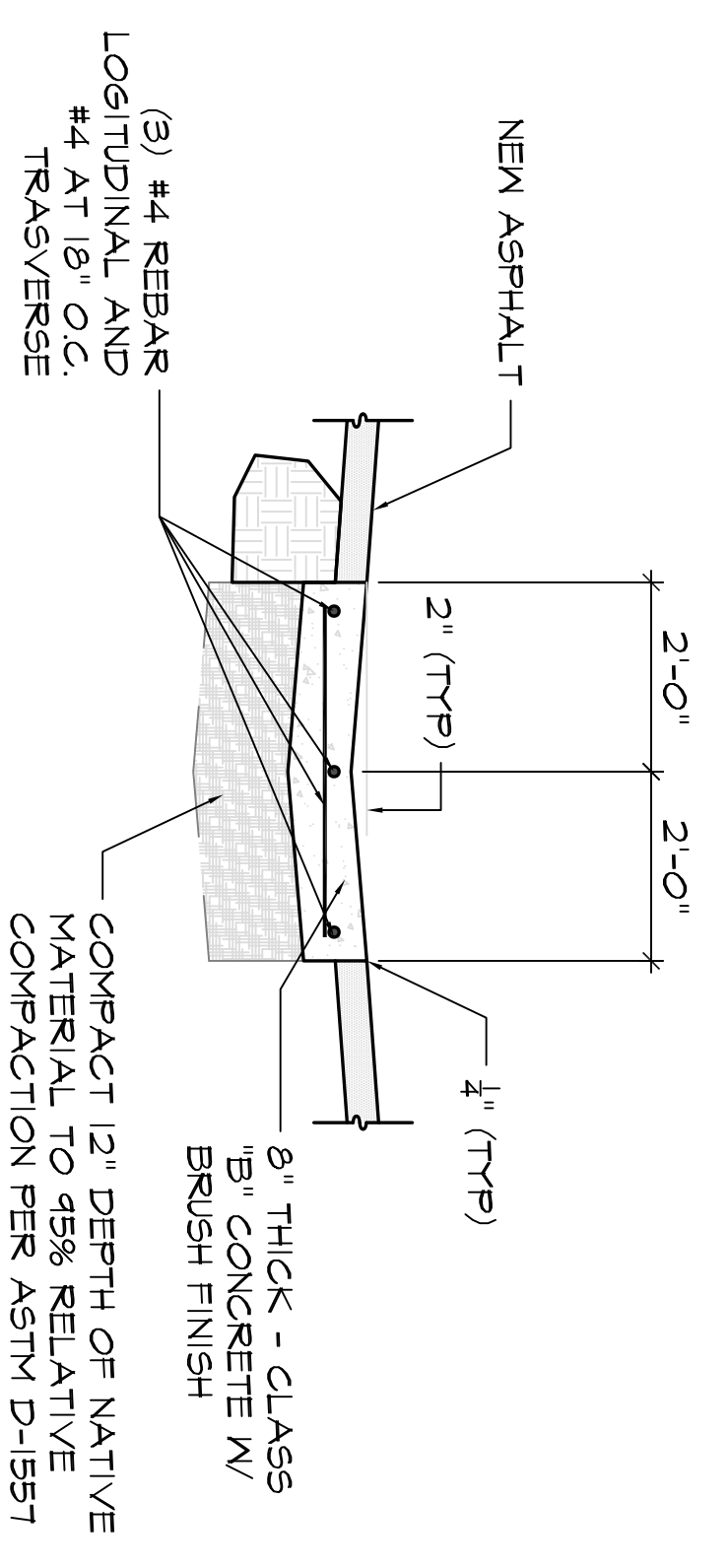
CONCRETE CURB DETAIL @ PLAY BOX
SCALE : 1" = 1'-0"



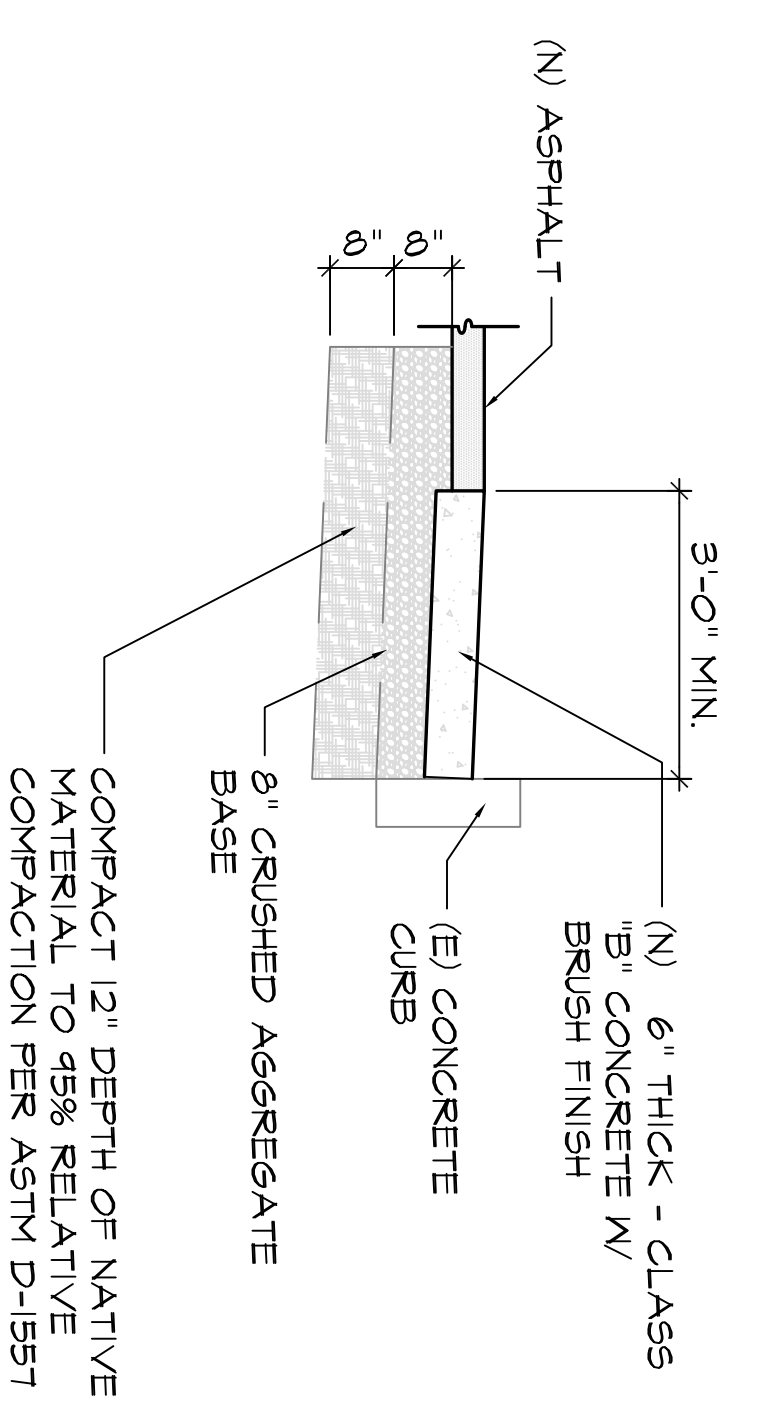
TYP. CONCRETE CURB
SCALE : 1" = 1'-0"



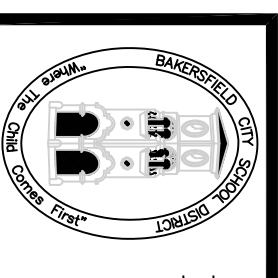
TYP. CONCRETE WALK W/ CURB
SCALE : 1" = 1'-0"



TYP. V-GUTTER
SCALE : 1/2" = 1'-0"



NEW CONCRETE GUTTER AT EXISTING CURB
SCALE : 1/2" = 1'-0"



BAKERSFIELD CITY
SCHOOL DISTRICT
EDUCATION CENTER
BAKERSFIELD, CA 93305
Ph: 805.338.1455

MAINTENANCE
&
OPERATIONS
DEPARTMENT
1401 FULTZ DRIVE
BAKERSFIELD, CA 93307
Ph: 805.334.9988

Concrete Details Attachment "F"

PROJECT #:	22281.00-56-DM	DATE:	
DRAWN BY:	BAT	SCALE:	X
REVISIONS:		SHEET NO.:	CG-108