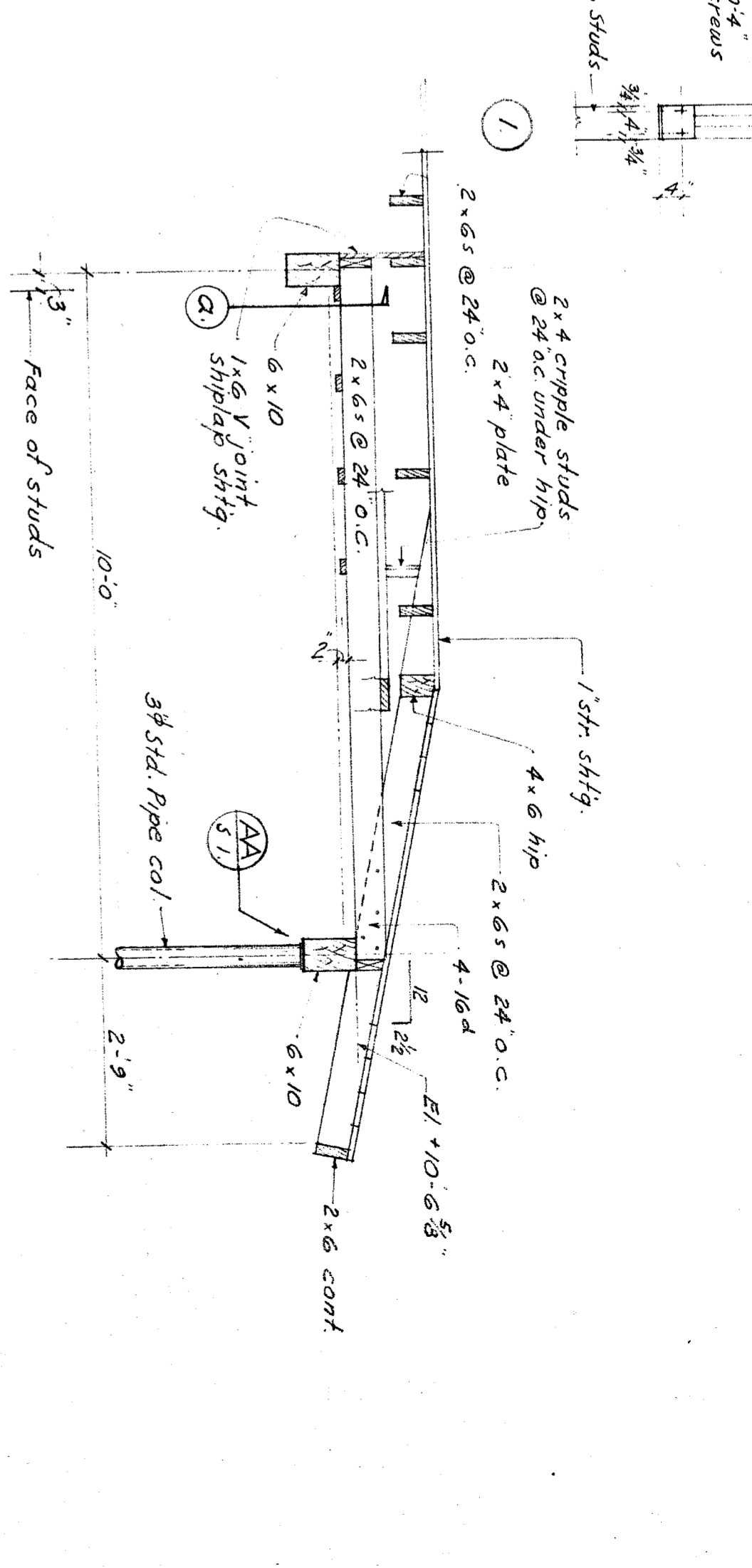
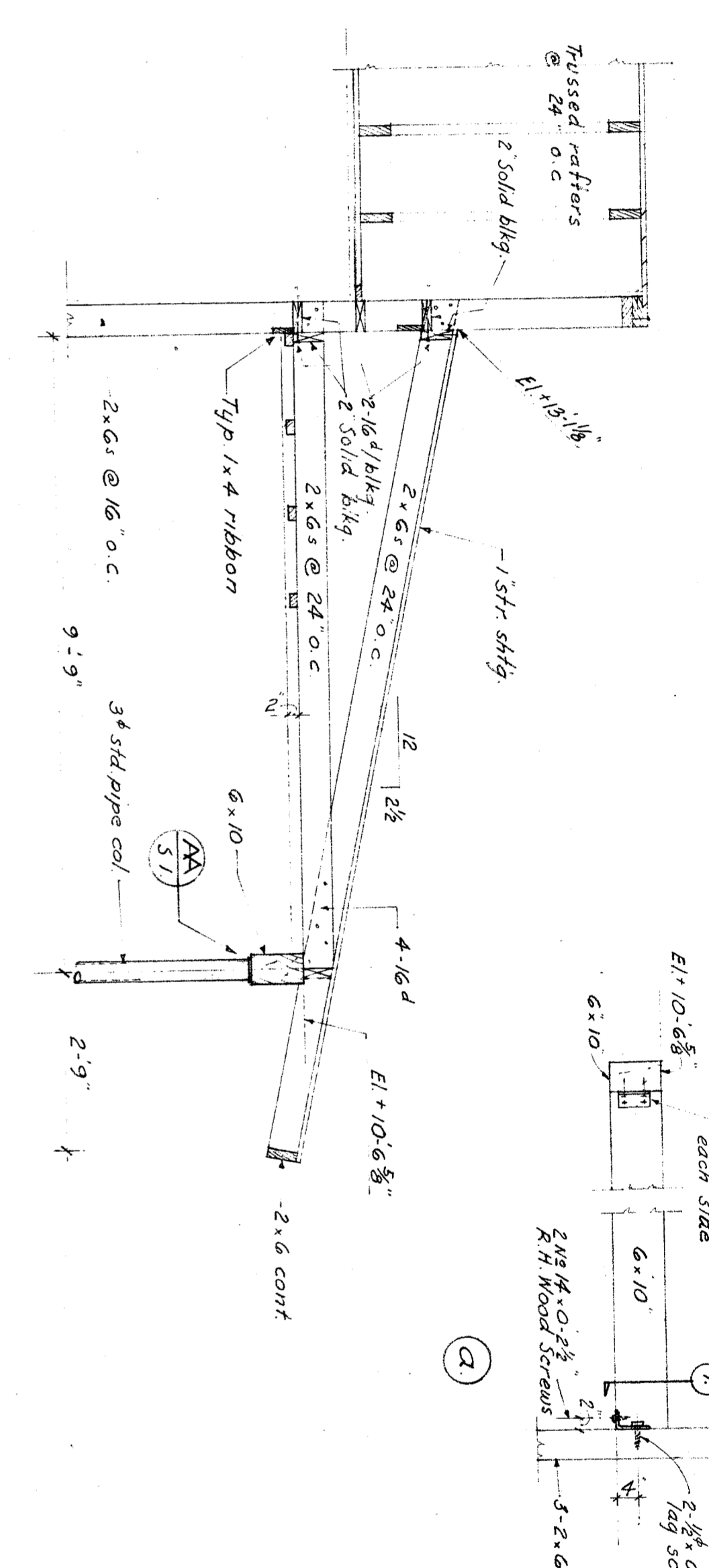
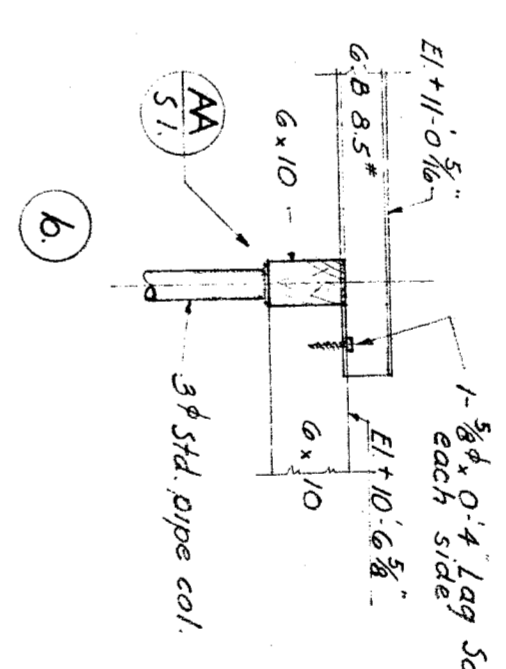
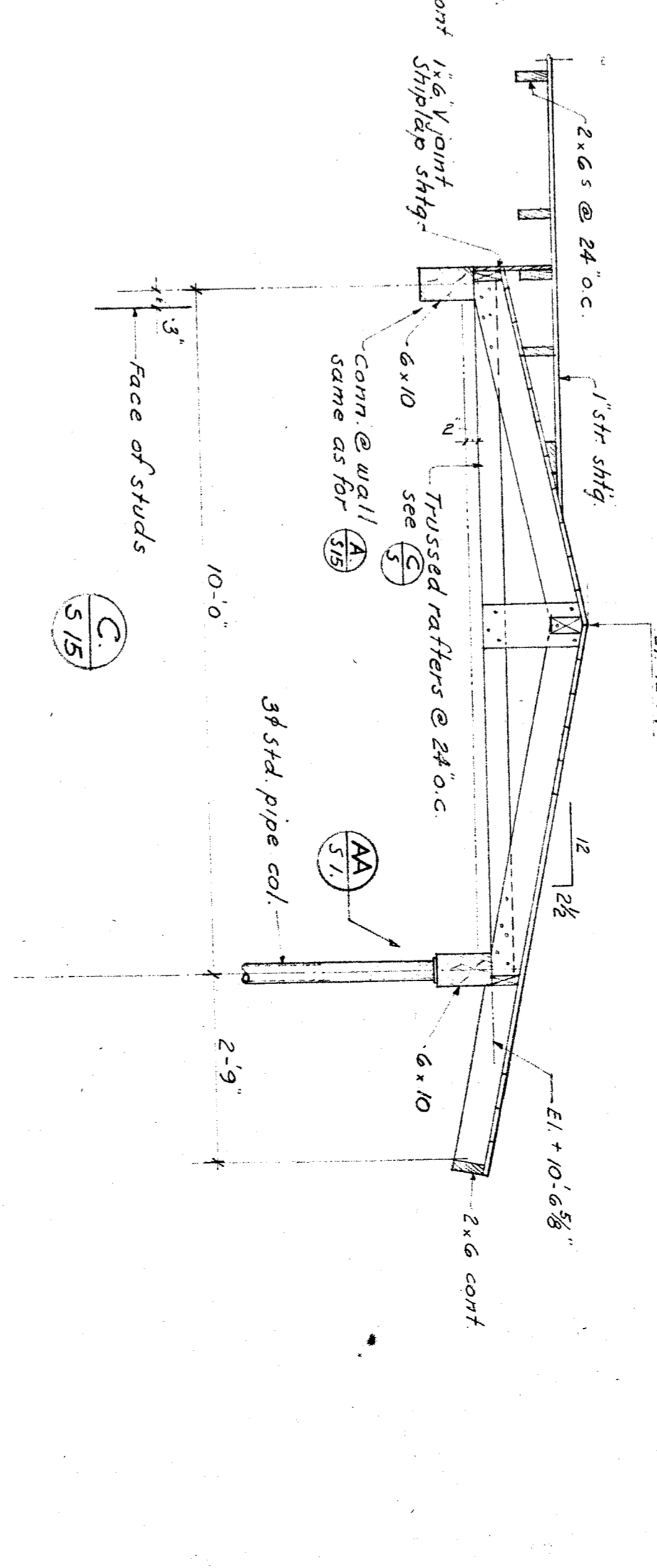
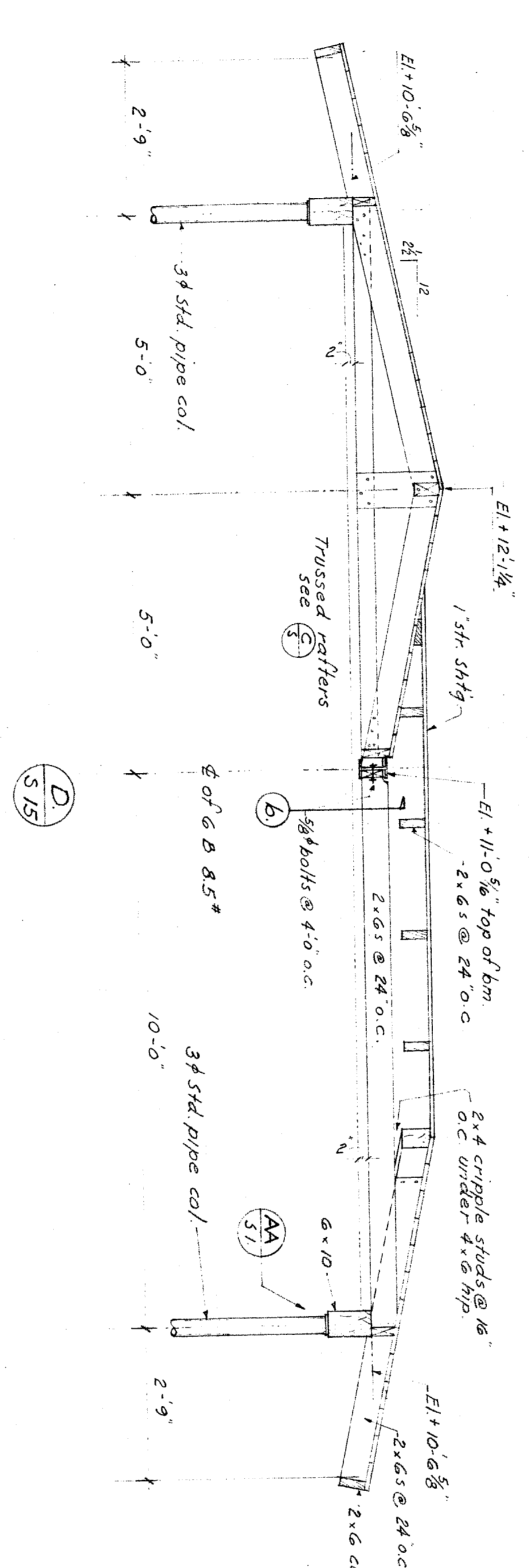
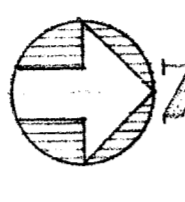
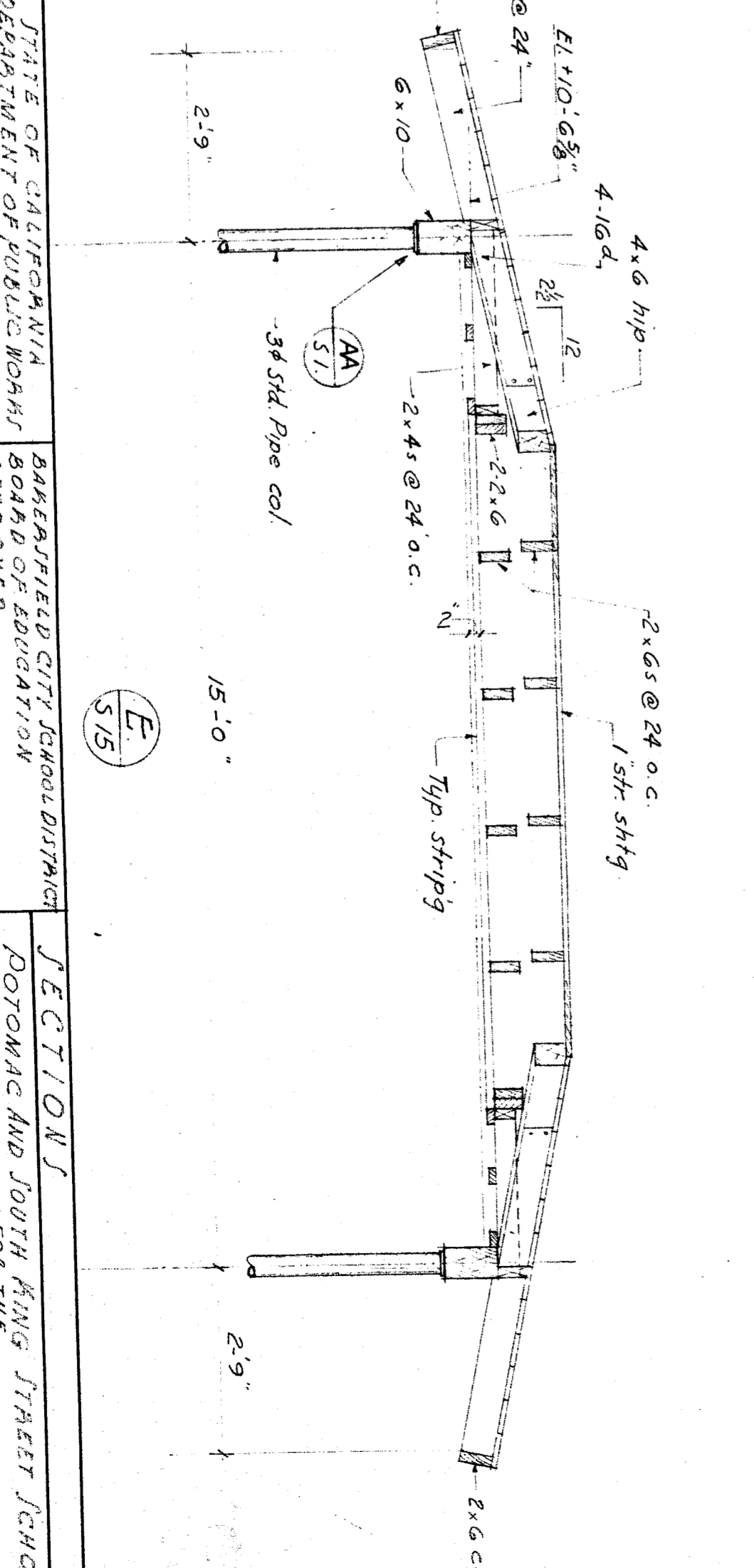
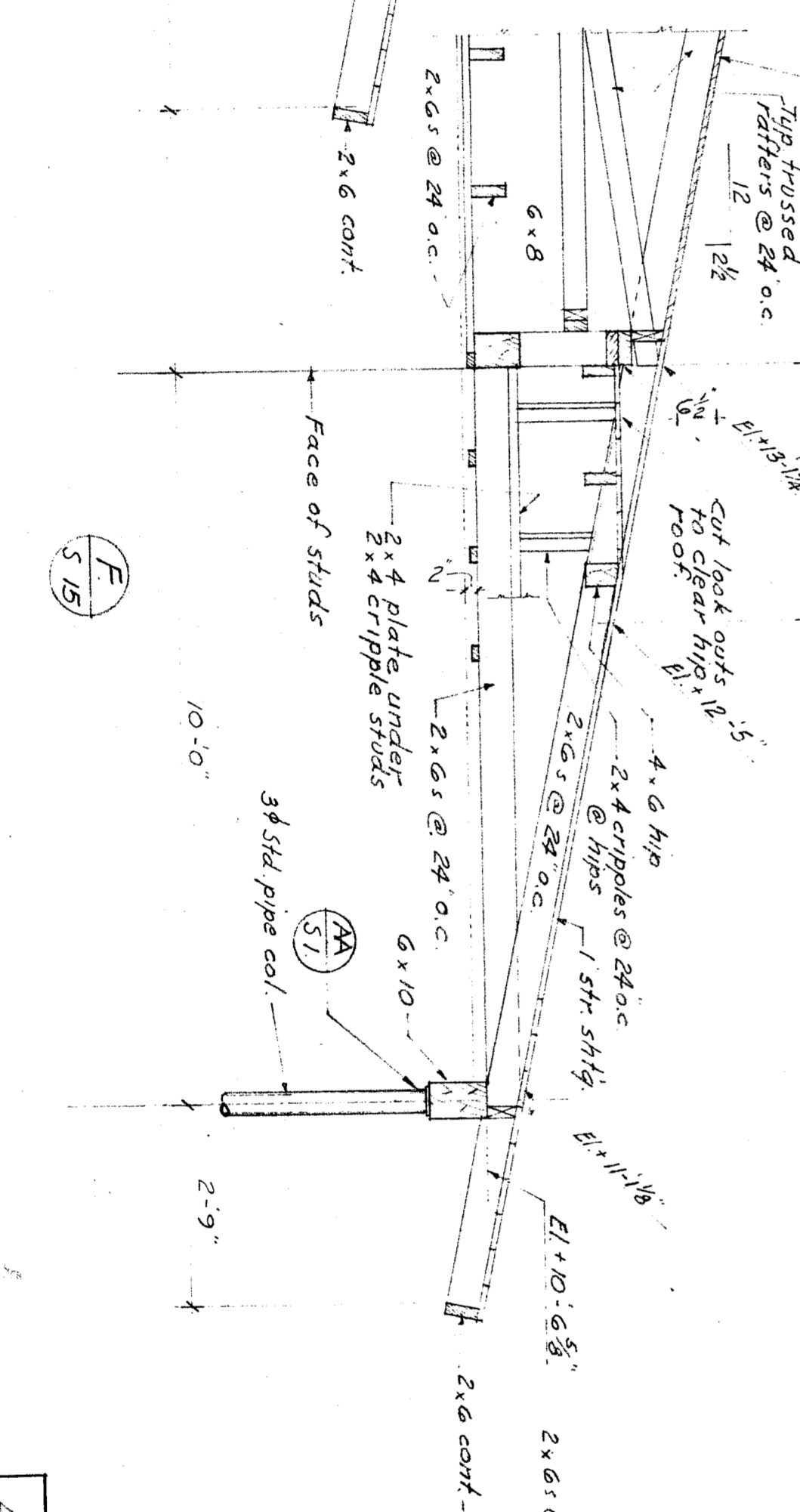
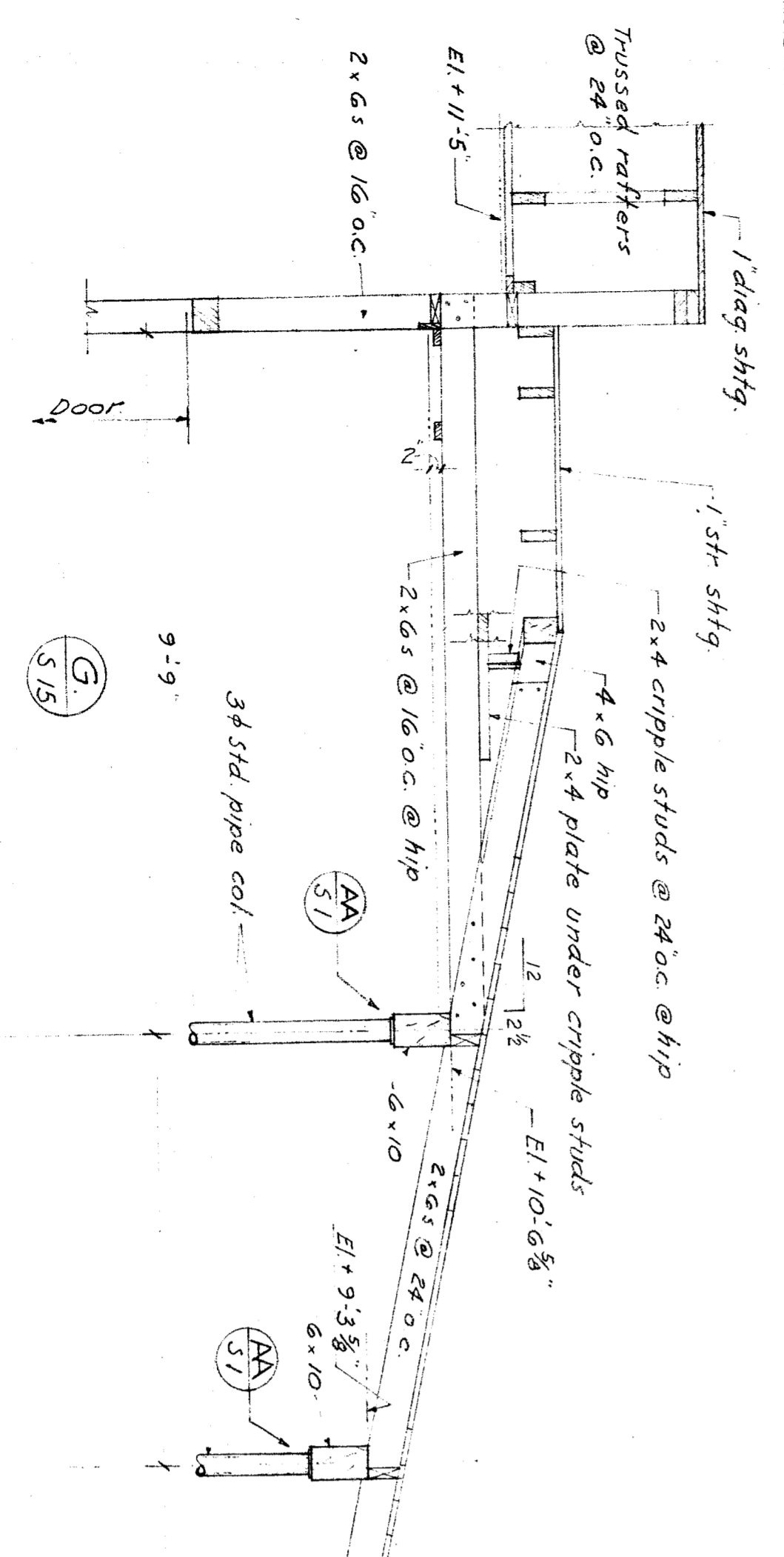


CORRIDOR ROOF FRAMING AT UNIT - E
Scale - 3/8" = 1'-0"



Scale of sections 1/2" = 1'-0" unless noted.

HILLMAN & NOWELL
STRUCTURAL ENGINEERS
ARCHITECTS BUILDERS
1011 W. 10th St. Los Angeles, Calif.

STATE OF CALIFORNIA
DEPARTMENT OF PUBLIC WORKS
DIVISION OF ARCHITECTURE
BARNFIELD CITY BOARD OF EDUCATION
BARNFIELD CITY SCHOOL DISTRICT
4779165

Architect
Secretary
Date

SECTION S
DOTOMAC AND SOUTH KING STREET SCHOOL
BARNFIELD CITY, Merced County, California
DATE 7-7-49
DWK:W
WRIGHT METCALF & PARSONS
A. R. C. H. I. T. E. C. T. S.
111 HOBSON BUILDING
BARNFIELD, CALIFORNIA

JOB 133
SHEET 5-15