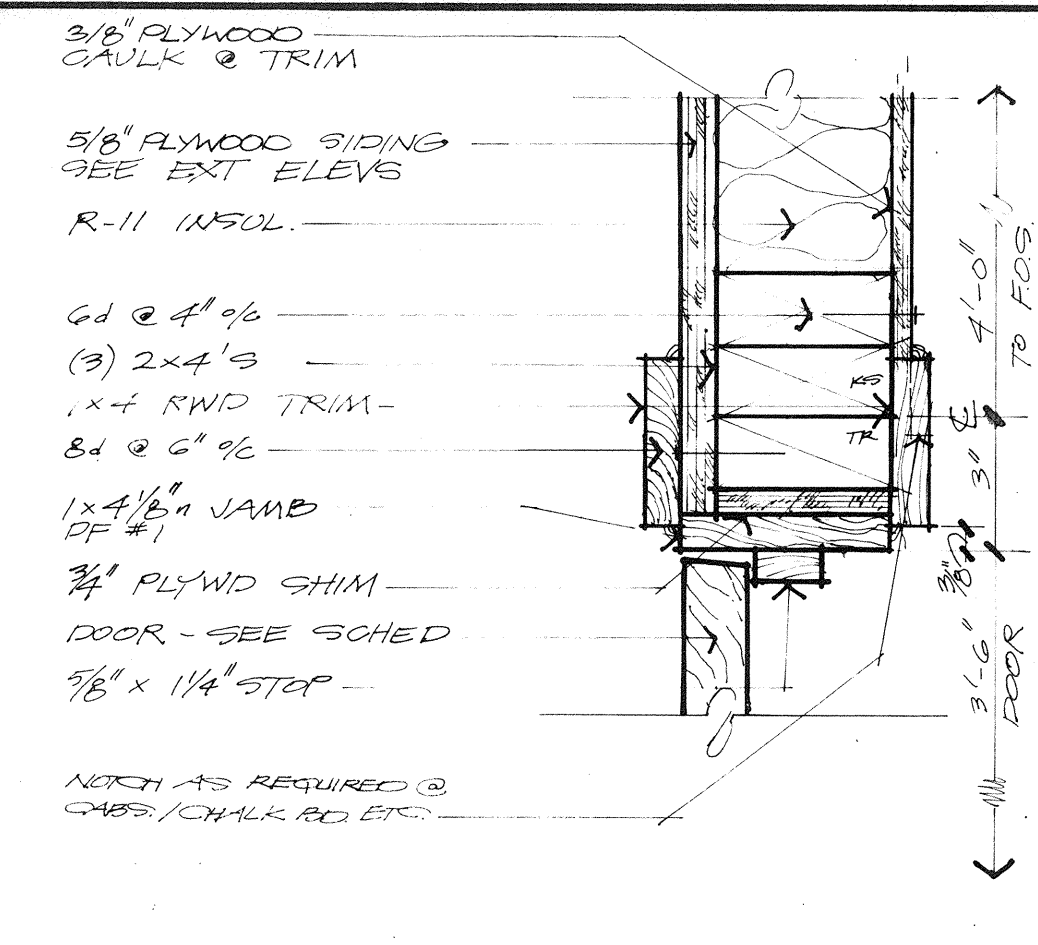
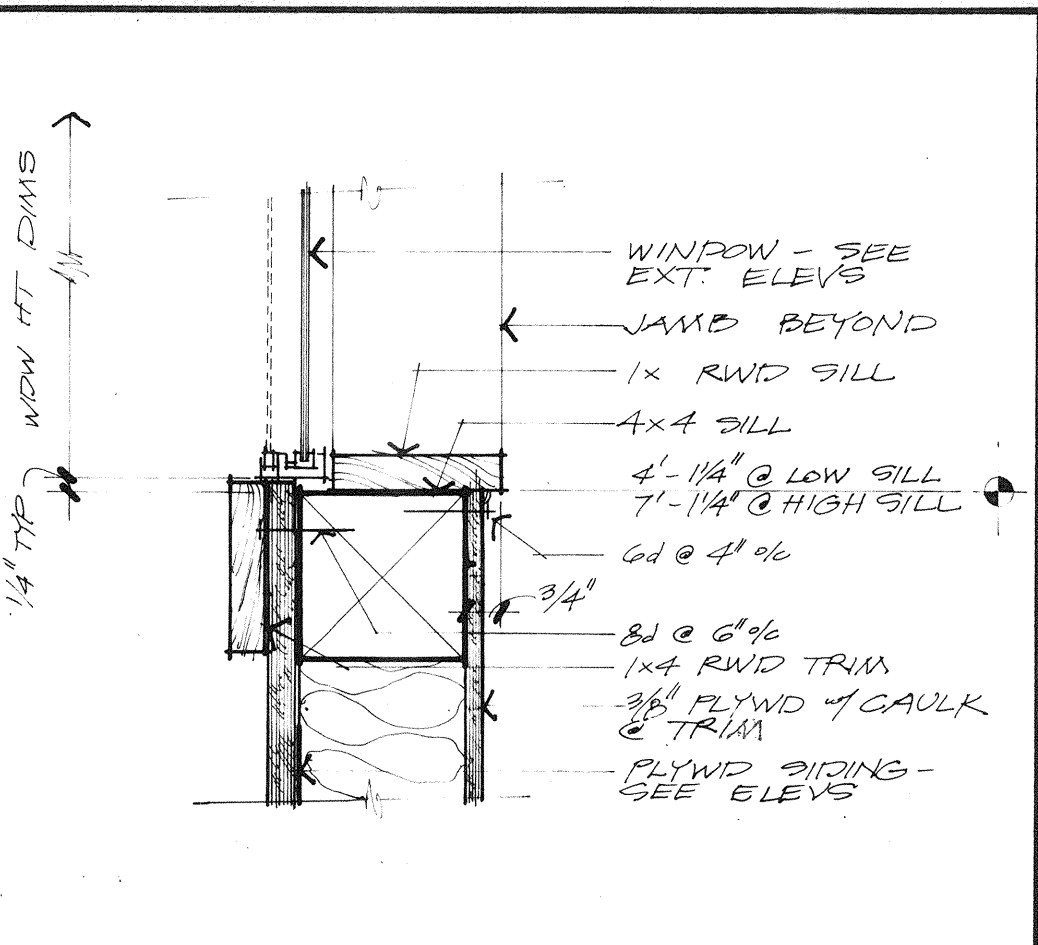


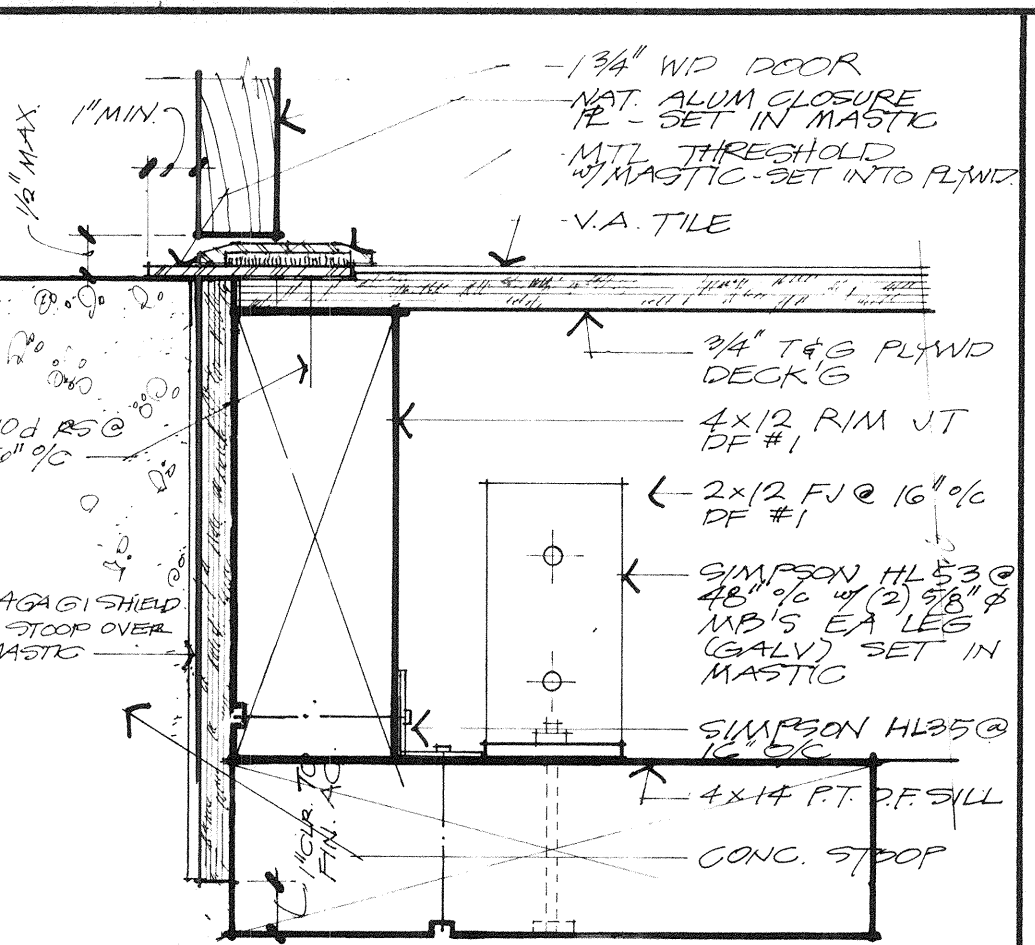
1) FASCIA DETAIL 0-3'



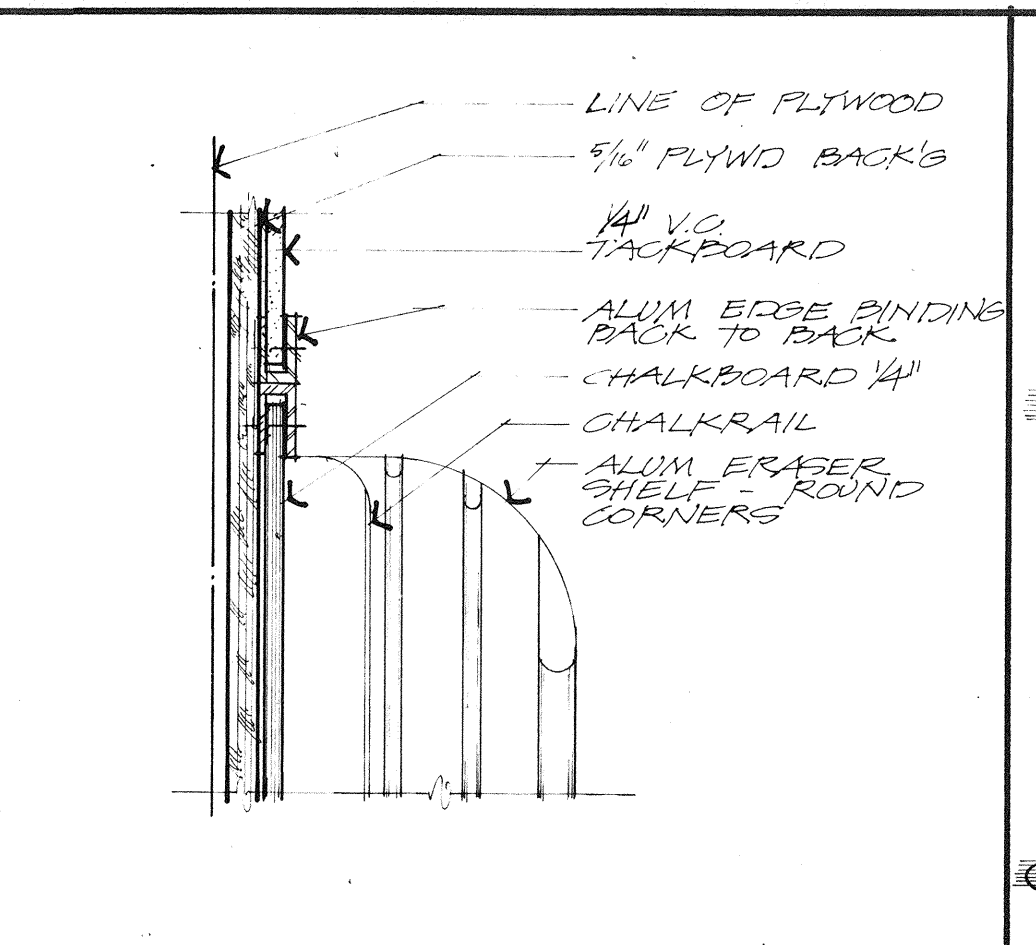
5) DOOR JAMB @ WALL 0-3'



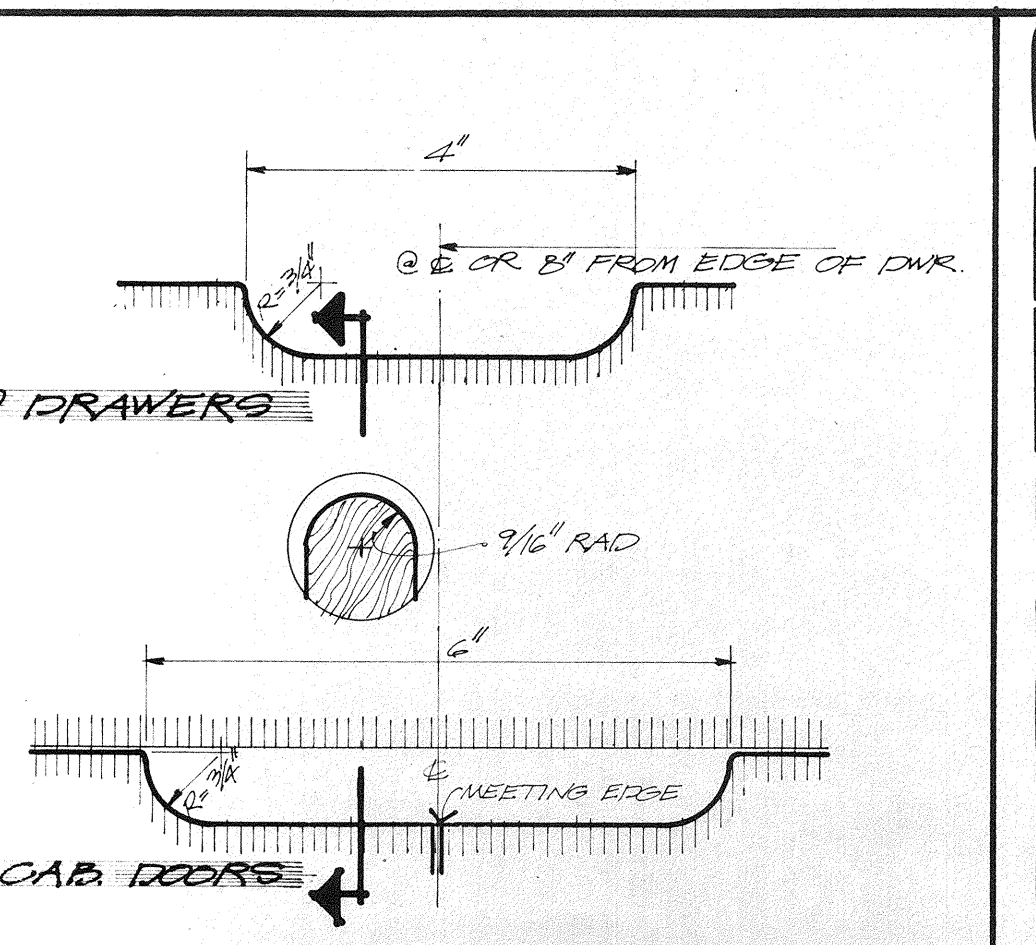
9) SILL DETAIL 0-3'



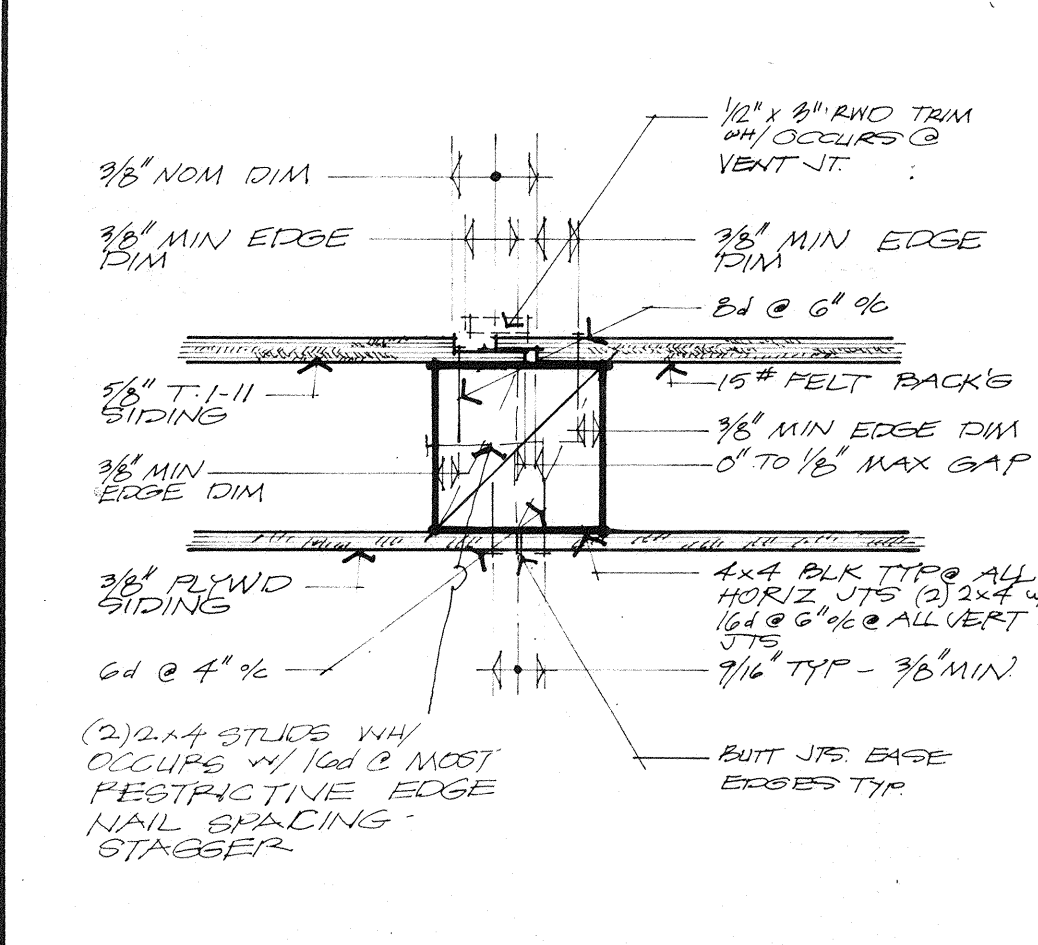
13) THRESHOLD DETAIL 0-3'



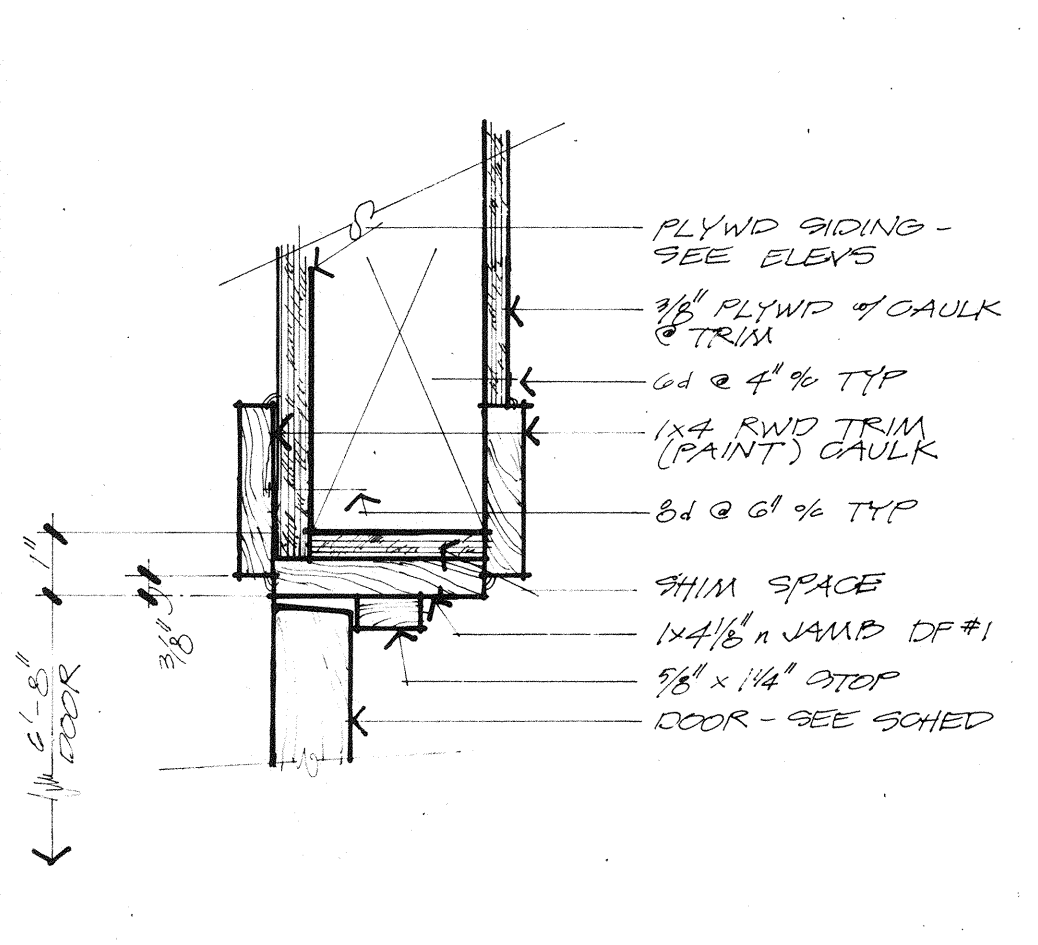
17) VERT. DIVISION STRIP 0-6'



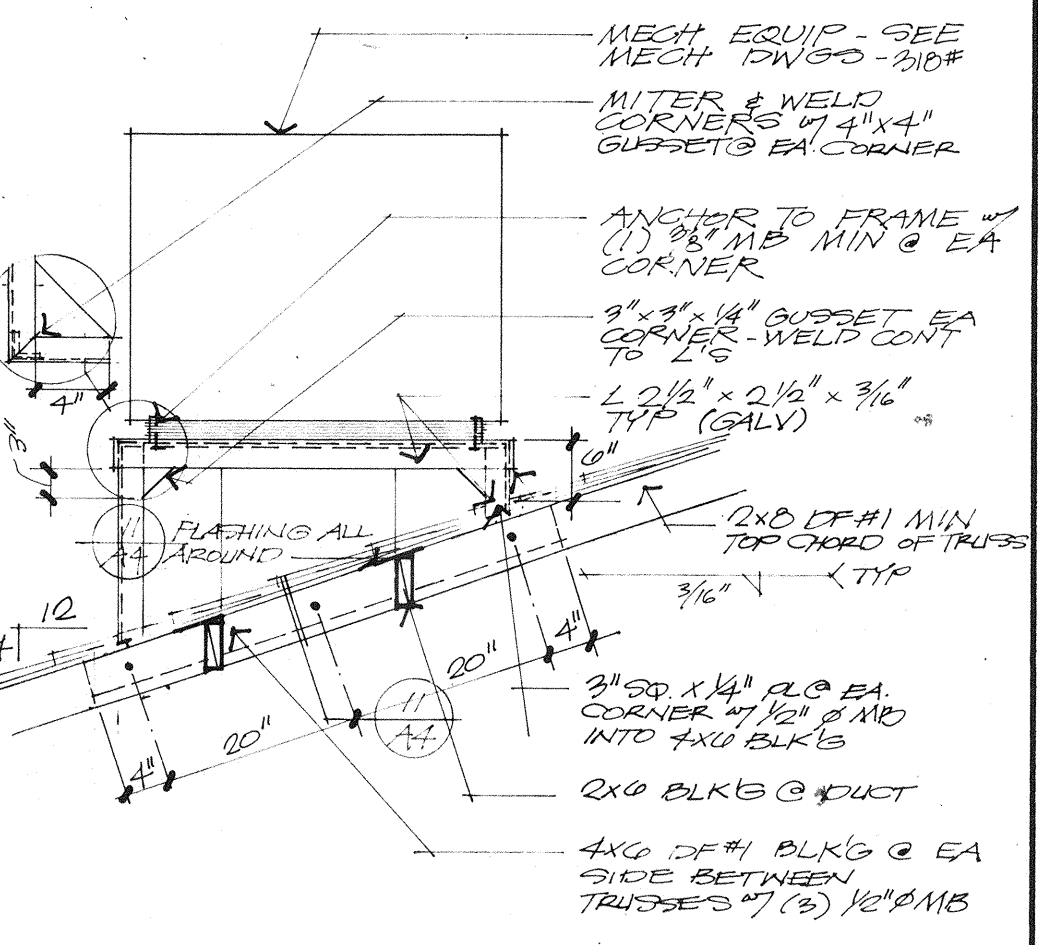
21) FINGER PULLS 0-6'



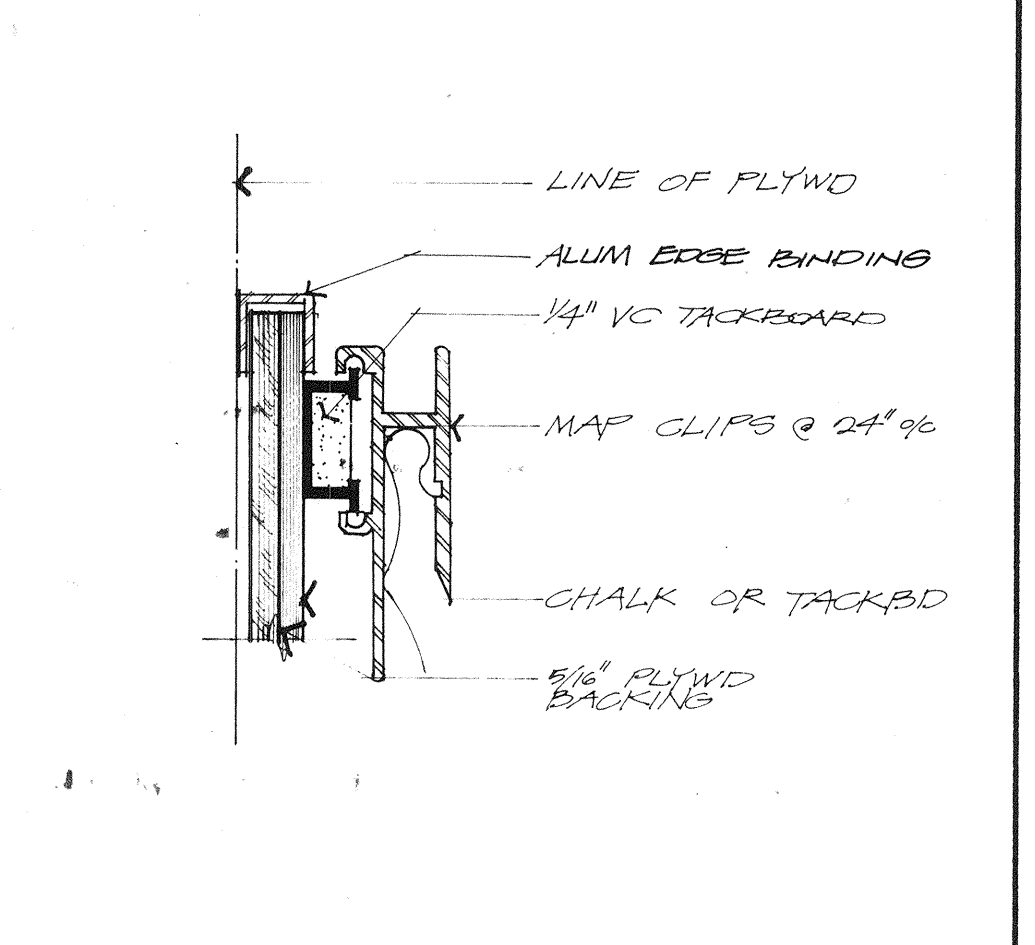
2) PLYWD NAIL'S DTL 0-3'



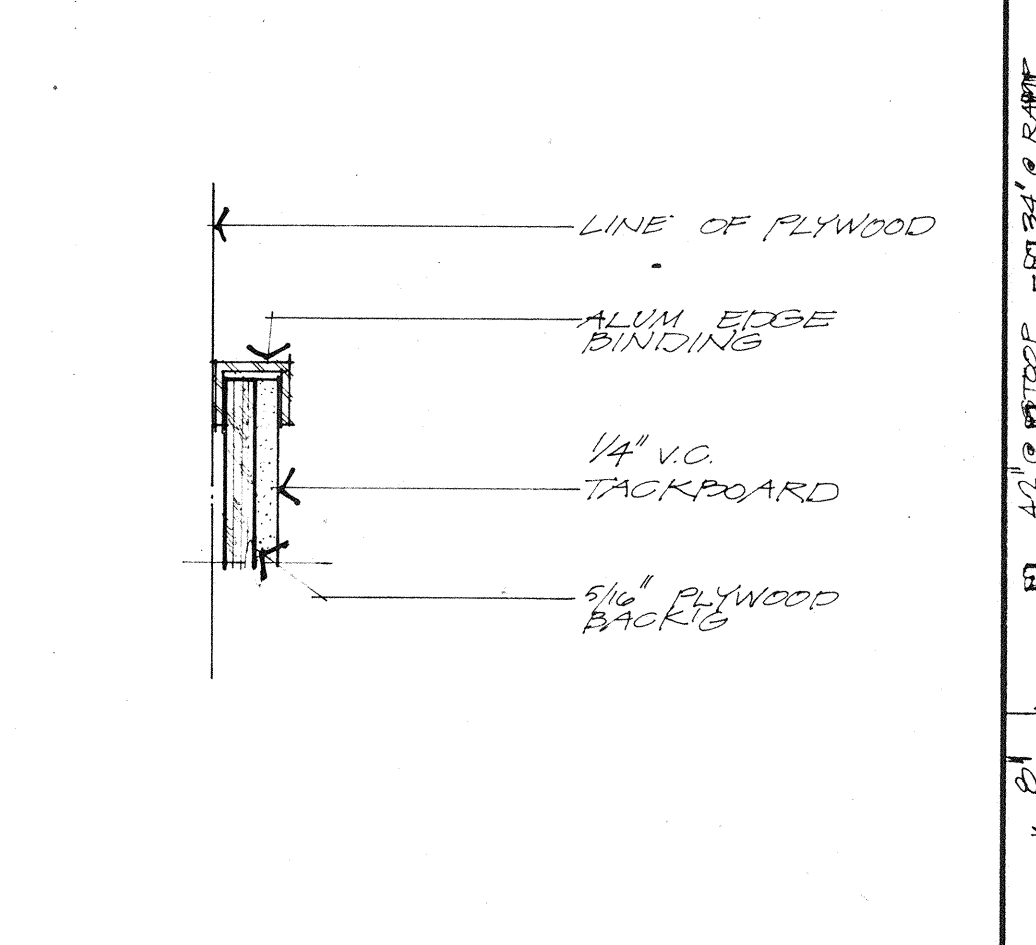
6) DOOR HEAD DETAIL 0-3'



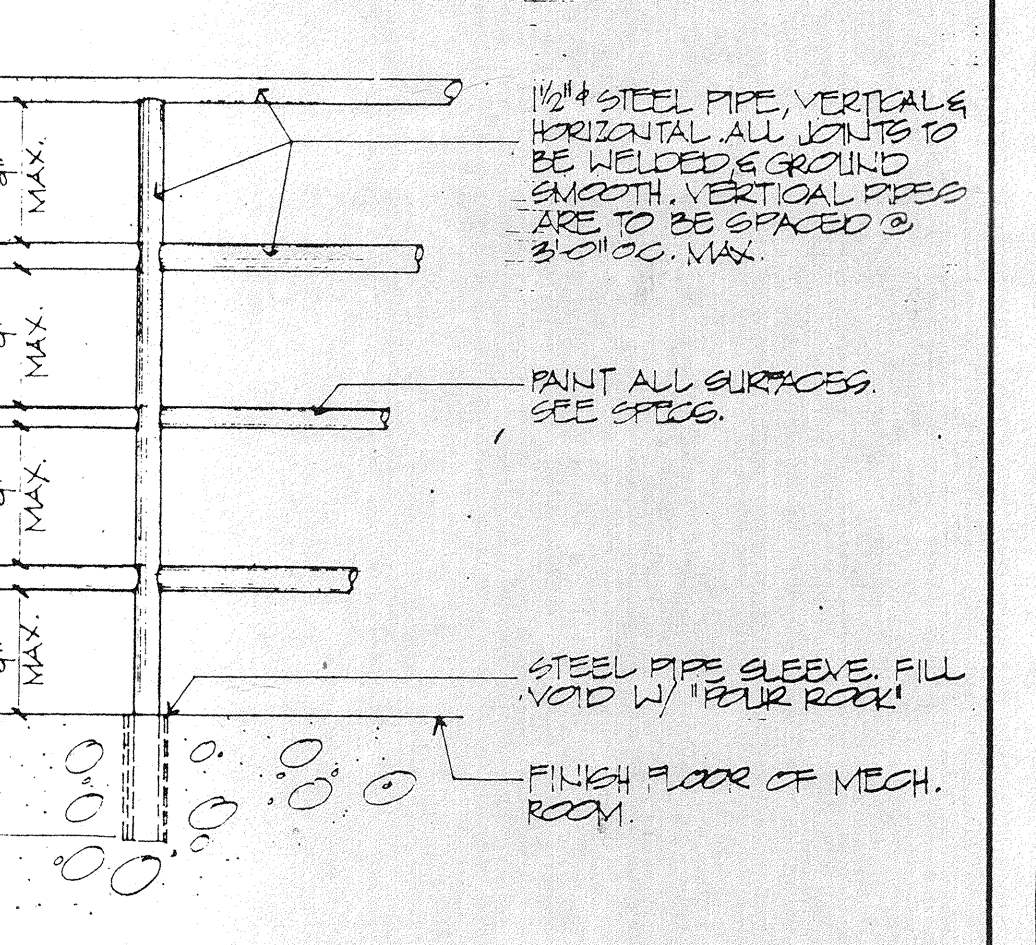
10) COOLER STAND 0-16'



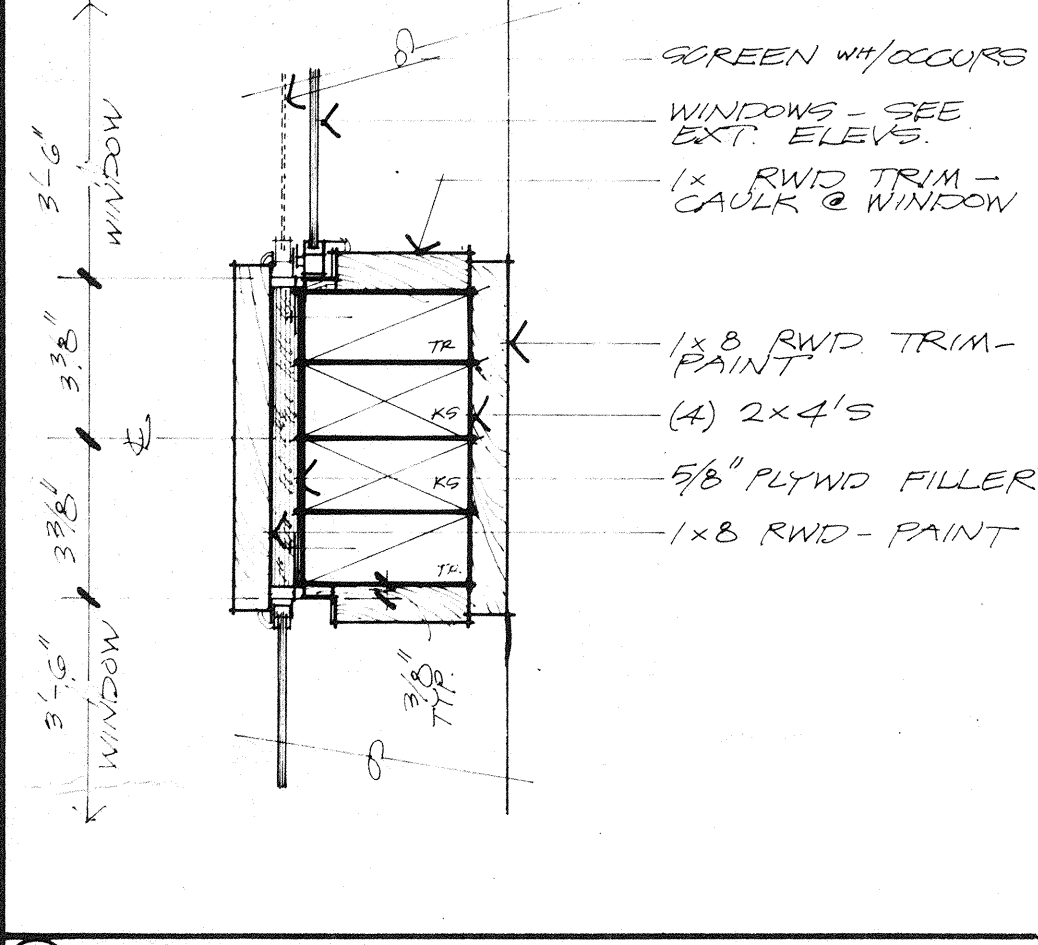
14) MAP HOOKS 0-6'



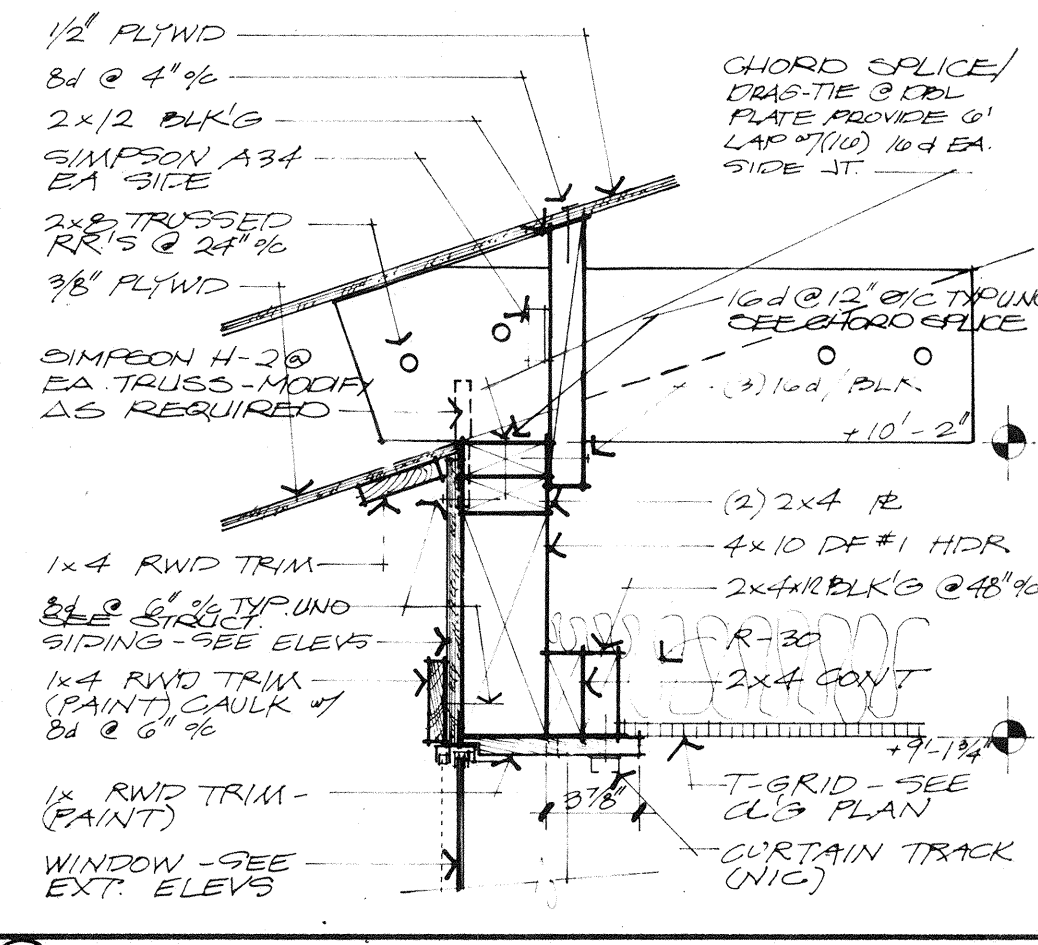
18) TRIM DETAIL 0-6'



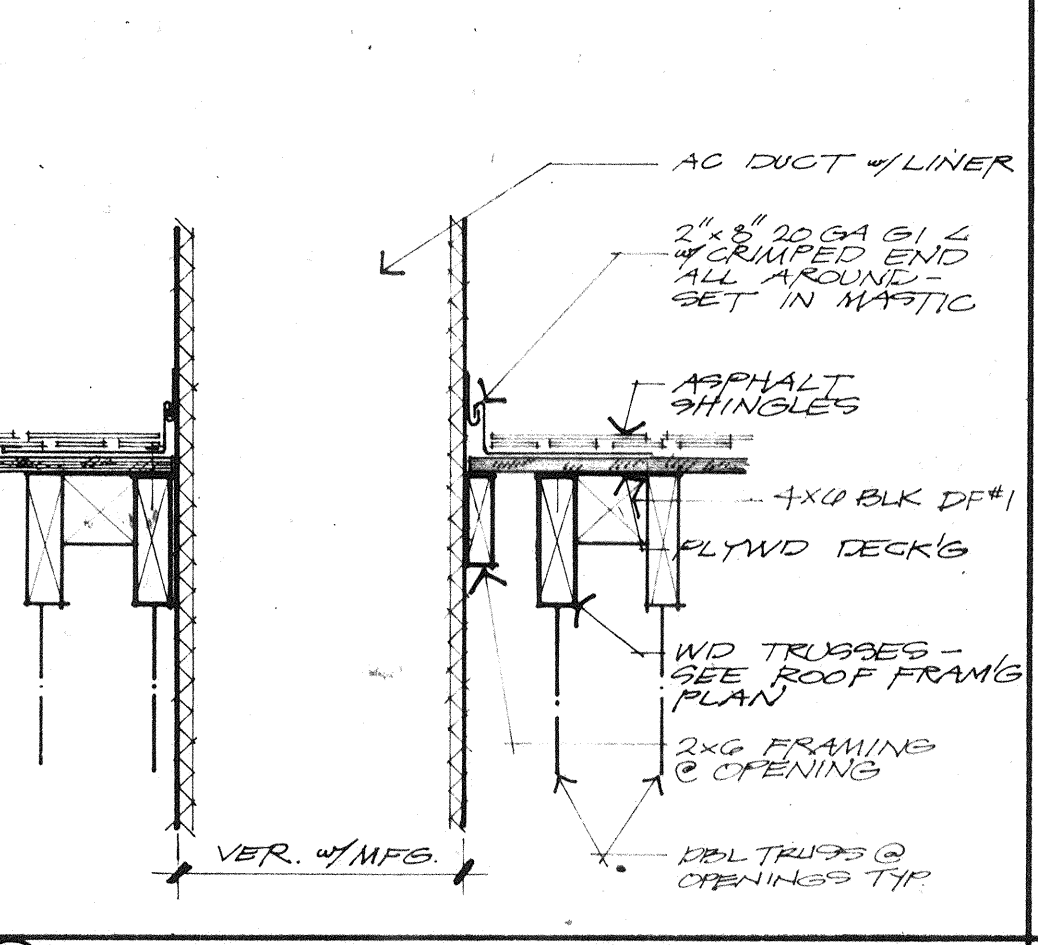
22) HANDRAIL DETAIL 0-1'



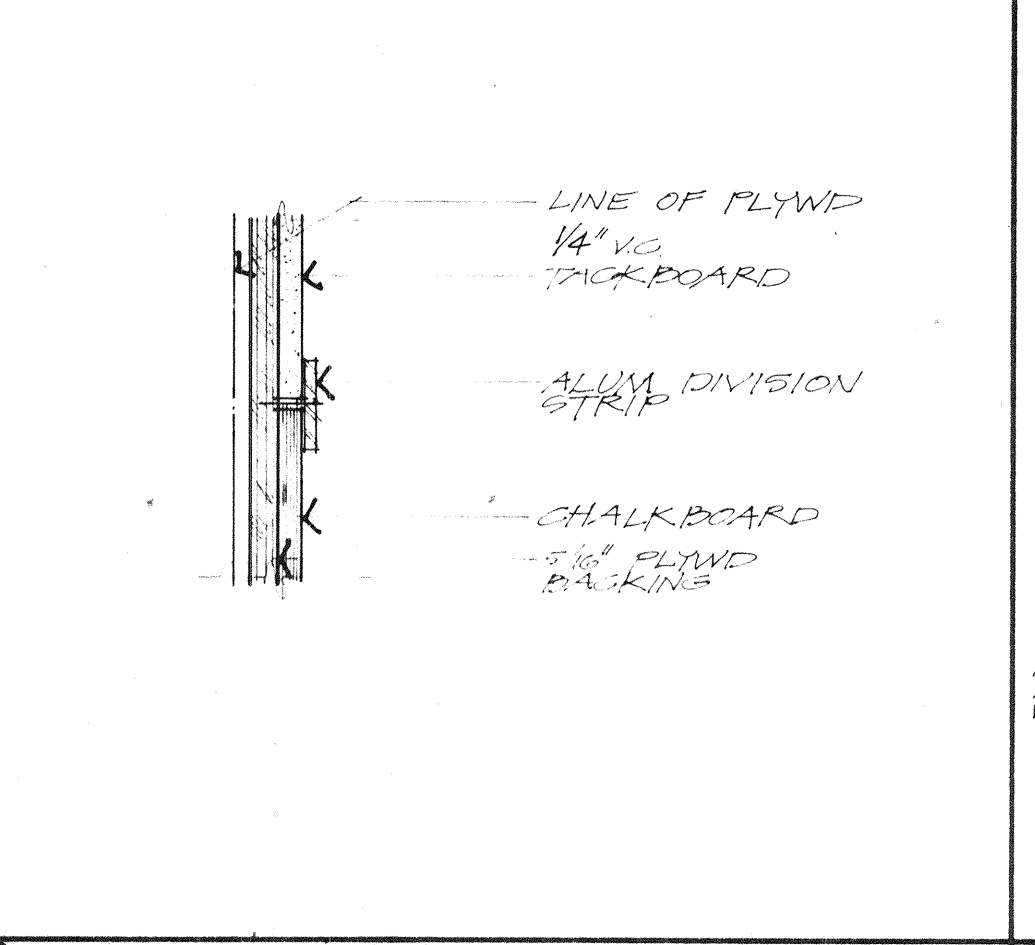
3) VERT WINDOW MULLION 0-3'



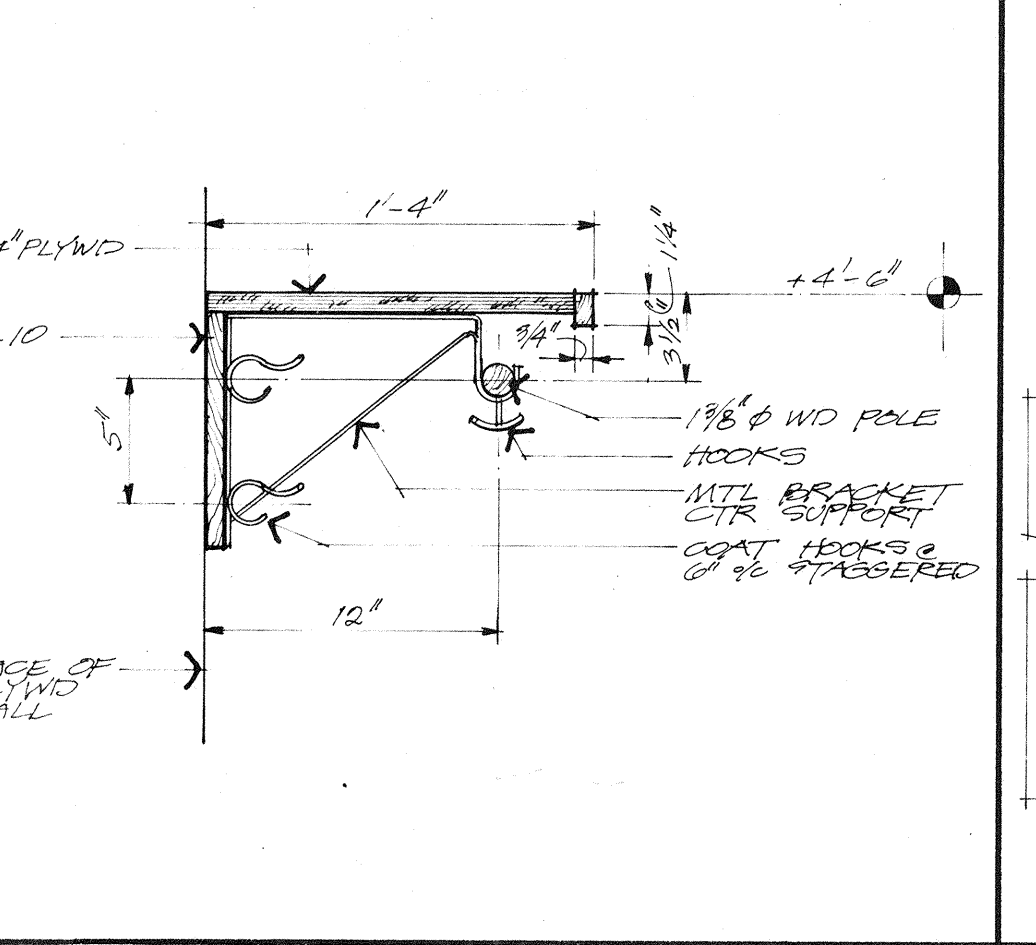
7) HEAD DETAIL 0-1/2'



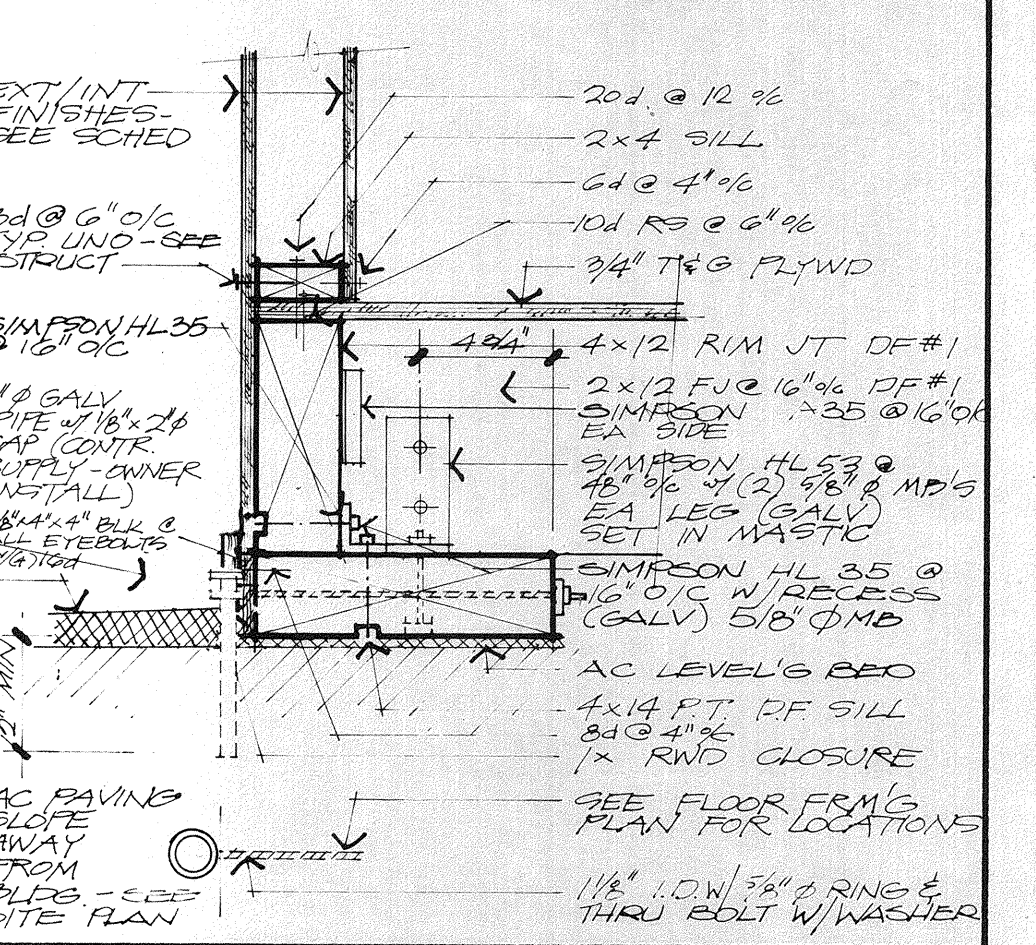
11) DUCT OPENING 0-1'



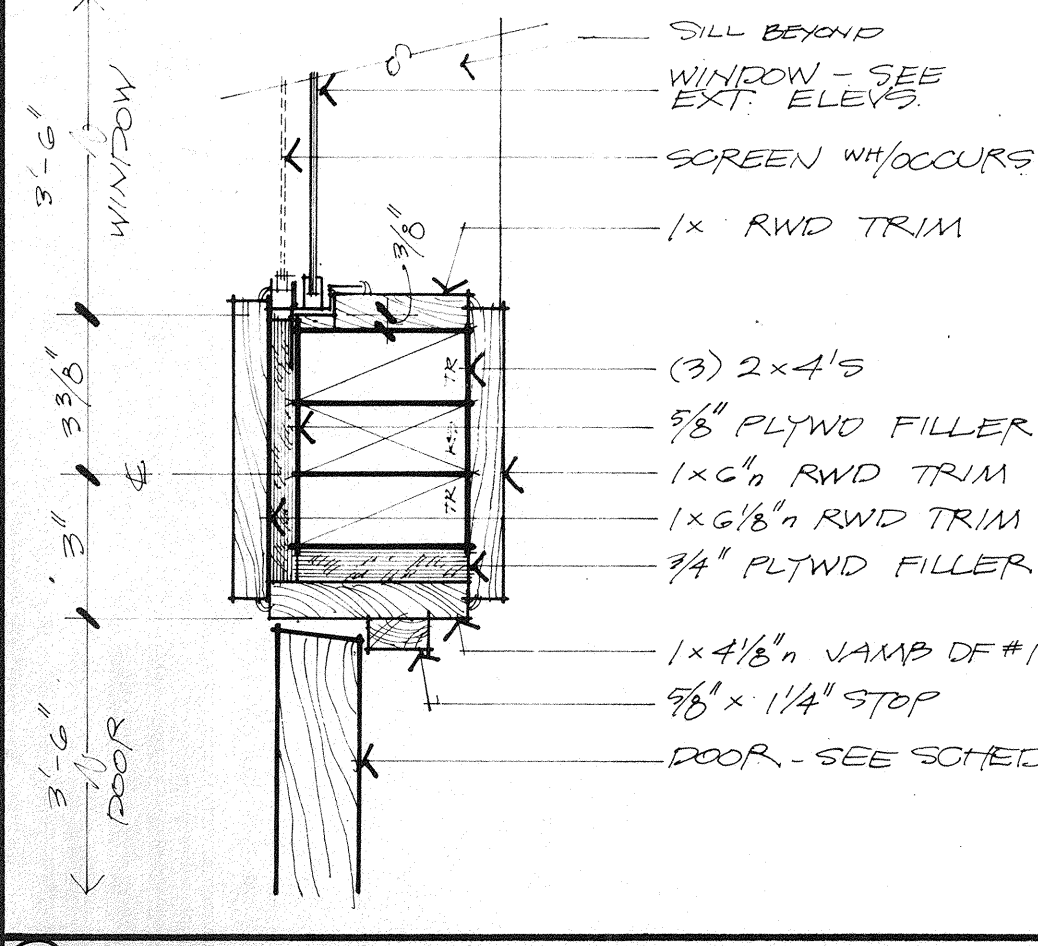
16) HORIZ. DIVISION STRIP 0-6'



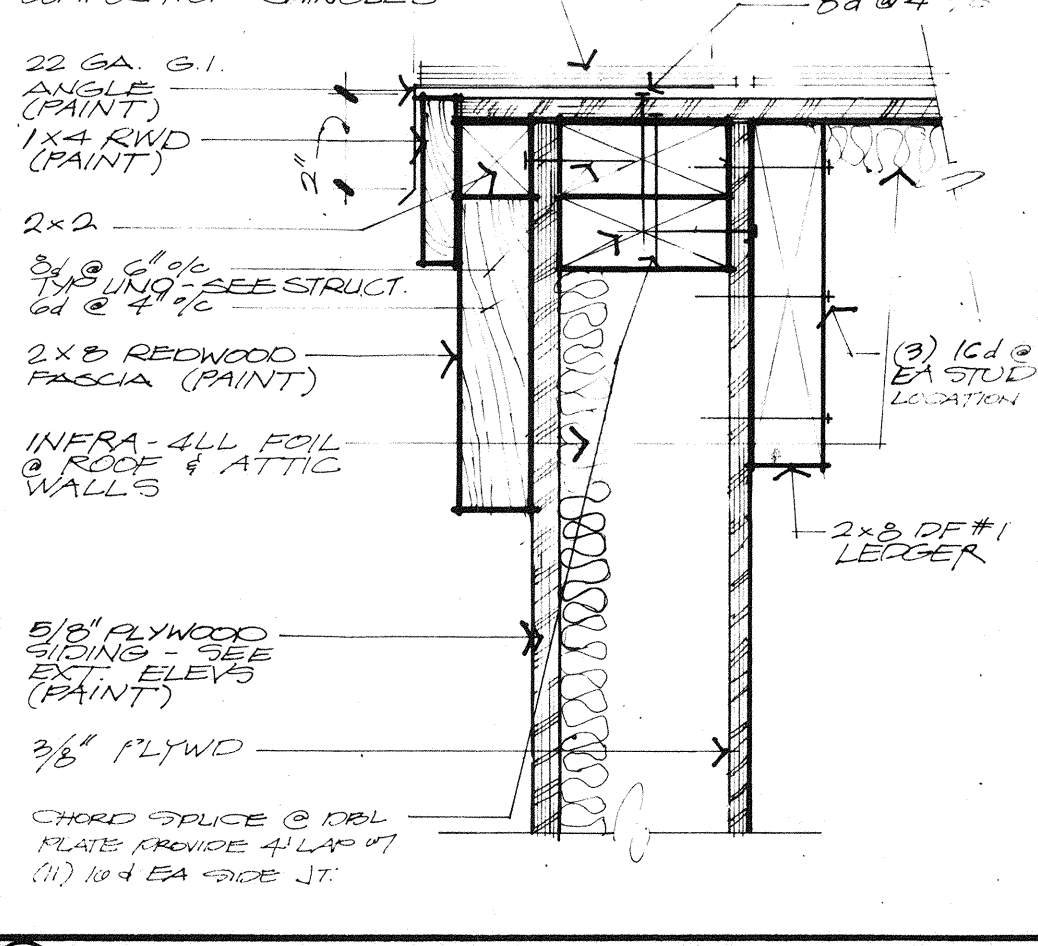
19) SHELF DETAIL 0-1/2'



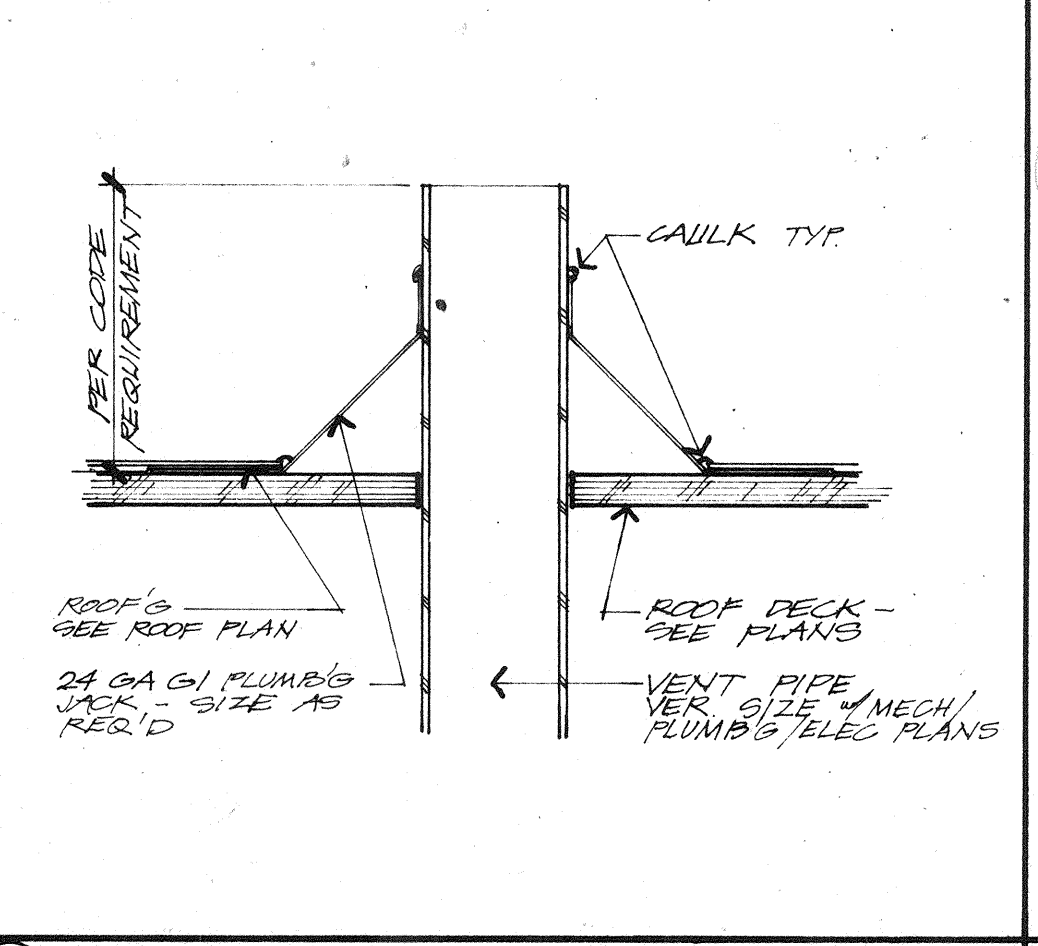
23) SILL @ SIDEWALL 0-1/2'



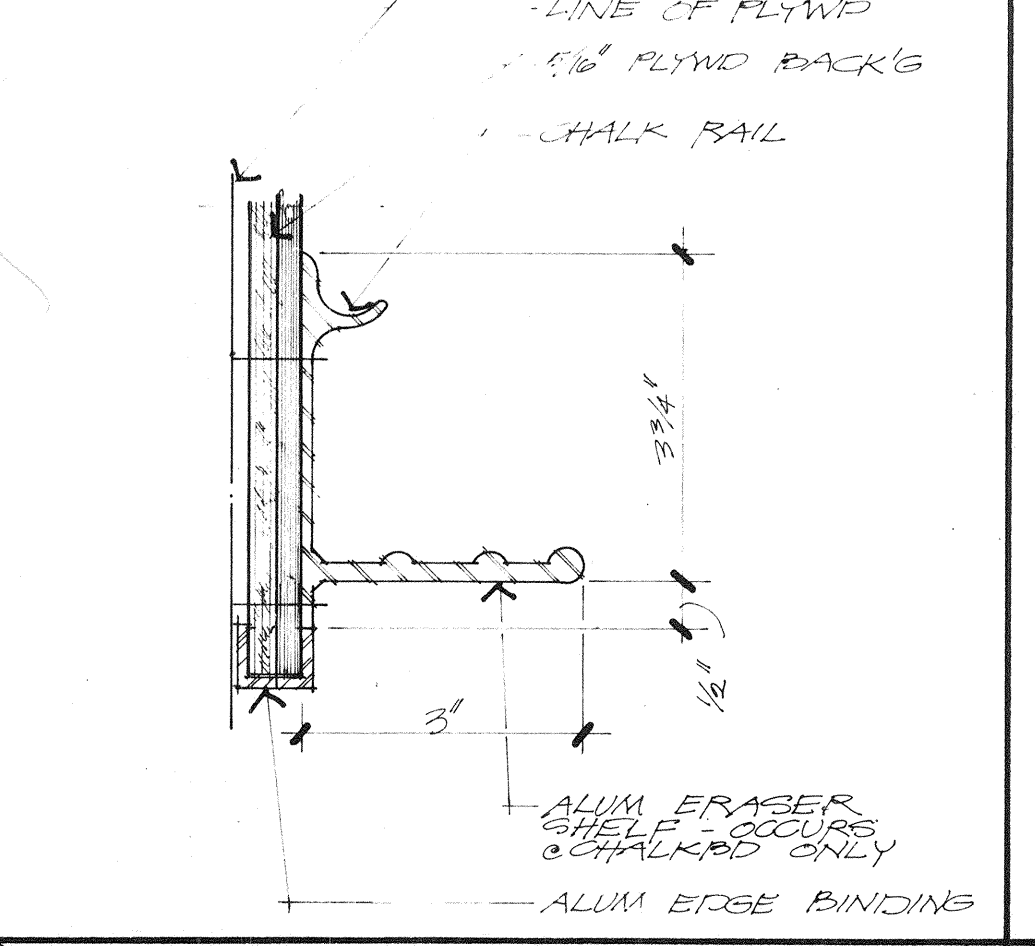
4) DOOR JAMB @ WINDOW 0-3'



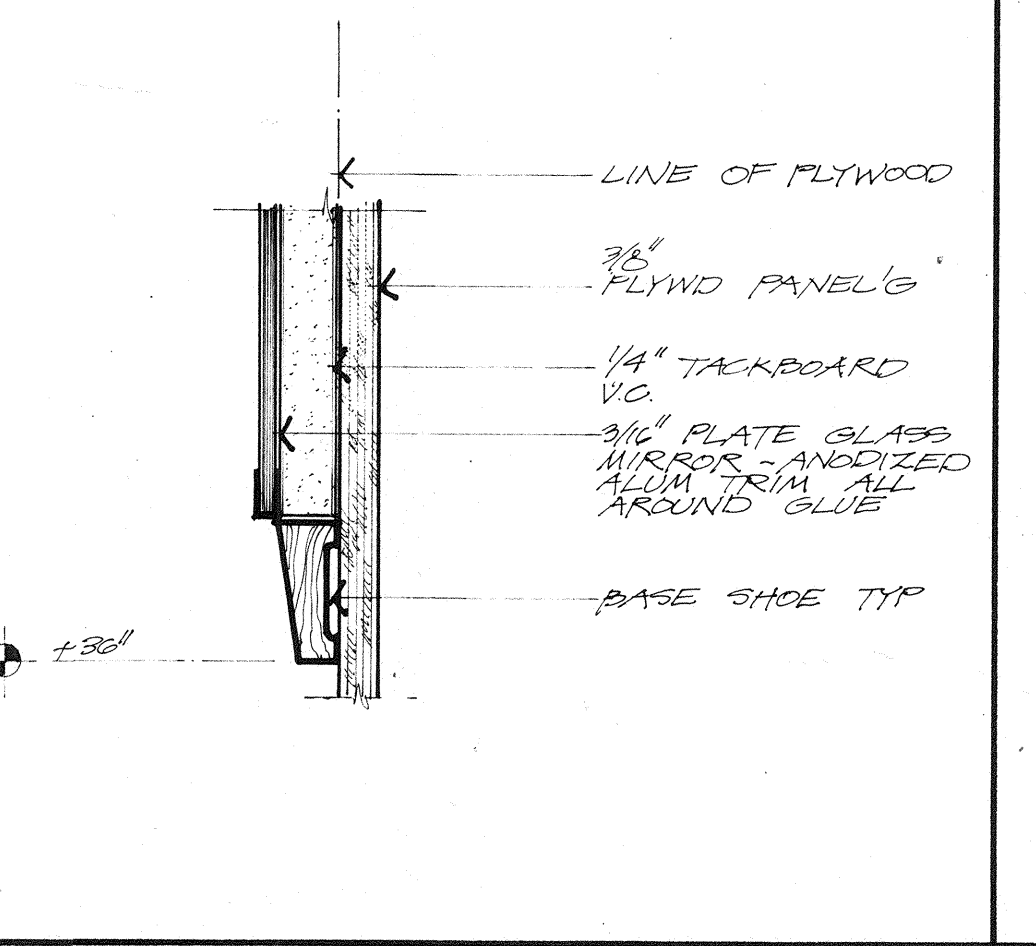
8) RAKE DETAIL 0-3'



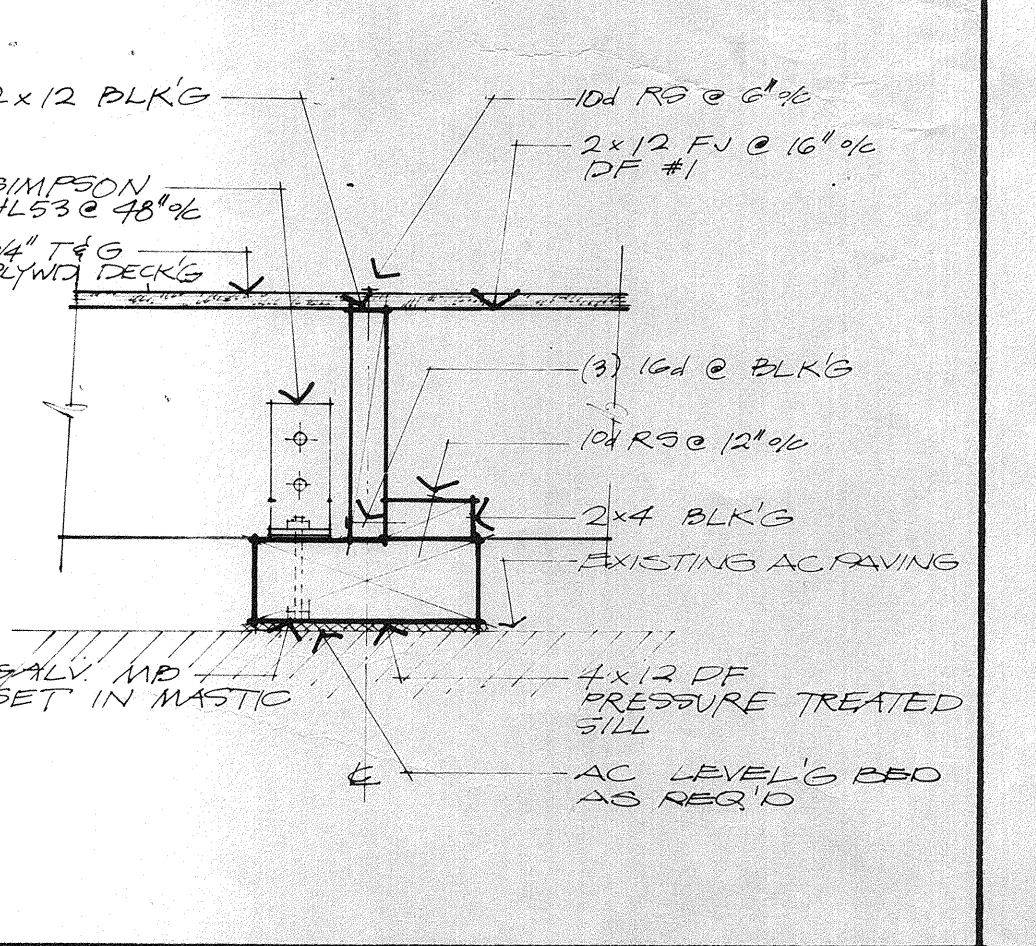
12) ROOF JACK 0-6'



16) CHALK TRAY DTL 0-6'



20) MIRROR 0-6'



24) SILL @ MIDSPAN 0-1/2'

THE ABOVE DRAWINGS AND SPECIFICATIONS AND IDEAS DESIGN AND ARRANGEMENTS REPRESENTED HEREIN ARE THE PROPERTY OF THE ARCHITECT AND NO PART THEREOF SHALL BE COPIED, REPRODUCED OR USED IN CONNECTION WITH ANY WORK OR PROJECT OTHER THAN THAT FOR WHICH THEY HAVE BEEN PREPARED AND WITHOUT THE WRITTEN CONSENT OF THE ARCHITECT. VISUAL CONTACT WITH THESE DRAWINGS OR SPECIFICATIONS SHALL CONSTITUTE CONCLUSIVE EVIDENCE OF ACCEPTANCE OF THESE RESTRICTIONS.

NOTICE: CONTRACTORS ON THESE DRAWINGS SHALL HAVE PRECEDENCE OVER OTHER MEMBERS. CONTRACTORS SHALL BE RESPONSIBLE FOR ALL INFORMATION AND CONDITIONS ON THE DRAWINGS AND SHALL BE RESPONSIBLE FOR OBTAINING ALL NECESSARY PERMITS AND APPROVALS BEFORE PROCEEDING WITH FABRICATION.

DATE	PRINTS ISSUED FOR:	MARK	DATE	REVISIONS	DRAWN MCK
5-10-85	BOARD APPROVAL	1	6-19-85	PER OSA CHANGES	DATE 5-10-85
5-20-85	OSA	2			JOB NO 85-242-1
6-23-85	BIDDING	3			CHECKED MMS
		4			
		5			

NO SCALE

CA

CHRIS A. ADDINGTON © 8083

MISCELLANEOUS DETAILS

CA

CHRIS A. ADDINGTON © 8083

NEW PORTABLE CLASSROOM
FOR BAKERSFIELD CITY SCHOOL DISTRICT.
BAKERSFIELD • KERN COUNTY • CALIFORNIA