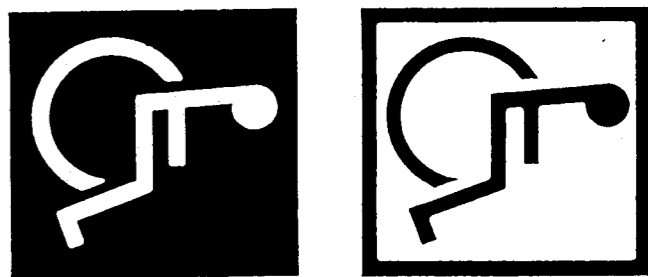


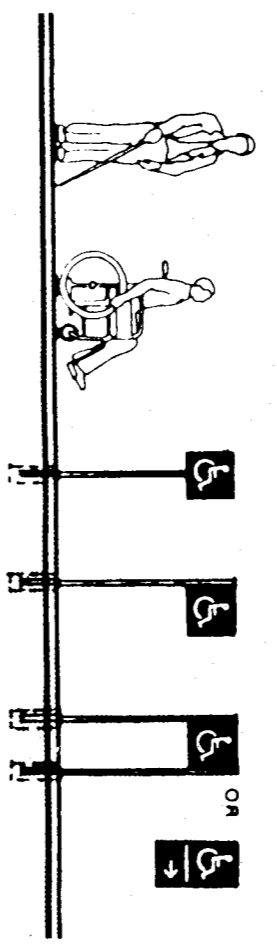
INTERNATIONAL SYMBOL OF ACCESSIBILITY



PROPORTIONS

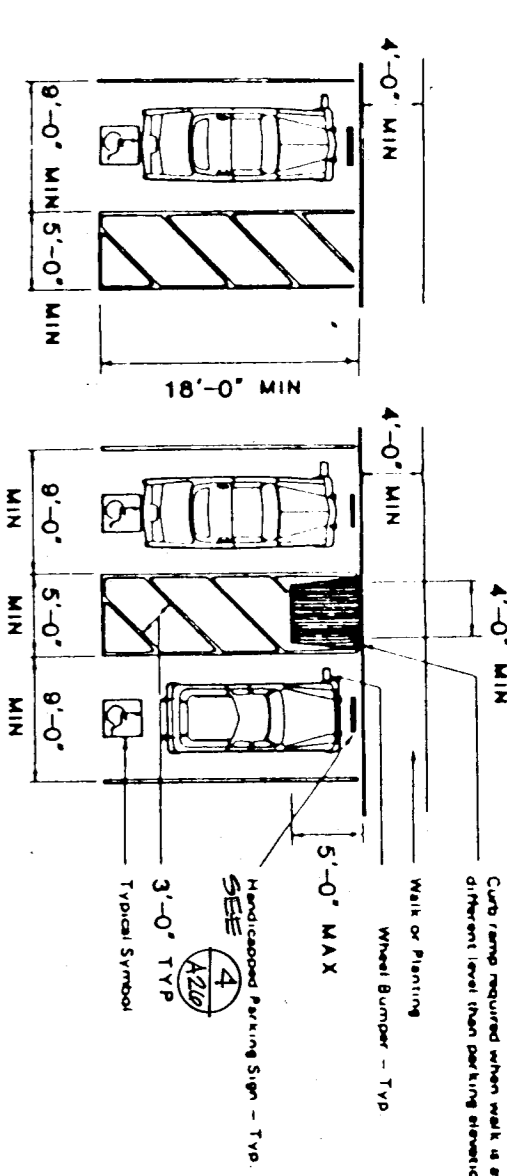
1. POST A PERMANENT 12" x 27" SIGN IN THE INTERNATIONAL SYMBOL OF ACCESSIBILITY. THE SIGN SHALL BE MOUNTED ON A WALL OR POST AT THE CENTER OF THE SIGN. THE SIGN SHALL BE MOUNTED AT A HEIGHT OF 5'-0" TO 6'-6" ABOVE THE FINISHED FLOOR. THE SIGN SHALL BE MOUNTED AT A DISTANCE OF 1'-0" FROM THE WALL OR POST. THE SIGN SHALL BE MOUNTED AT A DISTANCE OF 1'-0" FROM THE WALL OR POST. THE SIGN SHALL BE MOUNTED AT A DISTANCE OF 1'-0" FROM THE WALL OR POST.

1. HANDICAP SYMBOL



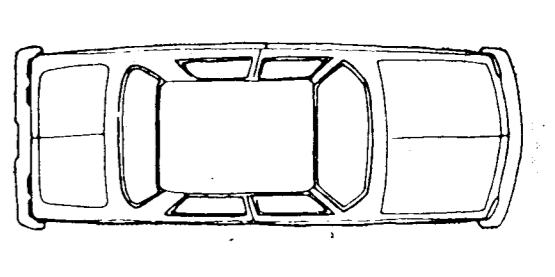
1. POSITION SIGN WITH INTERNATIONAL SYMBOL OF ACCESSIBILITY IN THE CENTER OF THE SIGN. THE SIGN SHALL BE MOUNTED AT A HEIGHT OF 5'-0" TO 6'-6" ABOVE THE FINISHED FLOOR. THE SIGN SHALL BE MOUNTED AT A DISTANCE OF 1'-0" FROM THE WALL OR POST. THE SIGN SHALL BE MOUNTED AT A DISTANCE OF 1'-0" FROM THE WALL OR POST.

2. PARKING STALLS



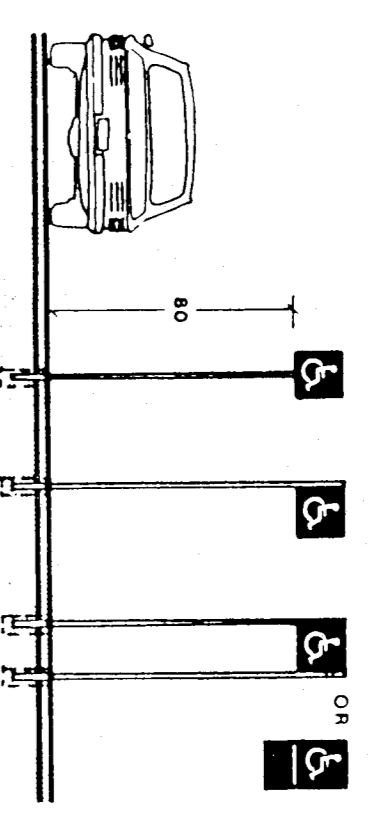
1. PARKING SPACES FOR HANDICAPPED ARE REQUIRED TO BE LOCATED AS NEAR AS POSSIBLE TO THE ENTRANCE OF THE BUILDING. THE SIGN SHALL BE MOUNTED AT A DISTANCE OF 1'-0" FROM THE WALL OR POST. THE SIGN SHALL BE MOUNTED AT A DISTANCE OF 1'-0" FROM THE WALL OR POST. THE SIGN SHALL BE MOUNTED AT A DISTANCE OF 1'-0" FROM THE WALL OR POST.

3. HANDICAP PARKING STALL SYMBOL



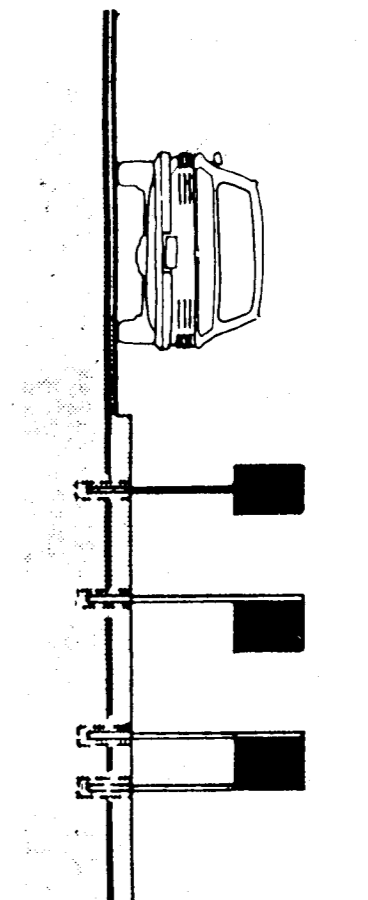
REFER TO DISPLAY CONTROLS DETAIL #1 (AWD)

4. HANDICAPPED PARKING SIGNS



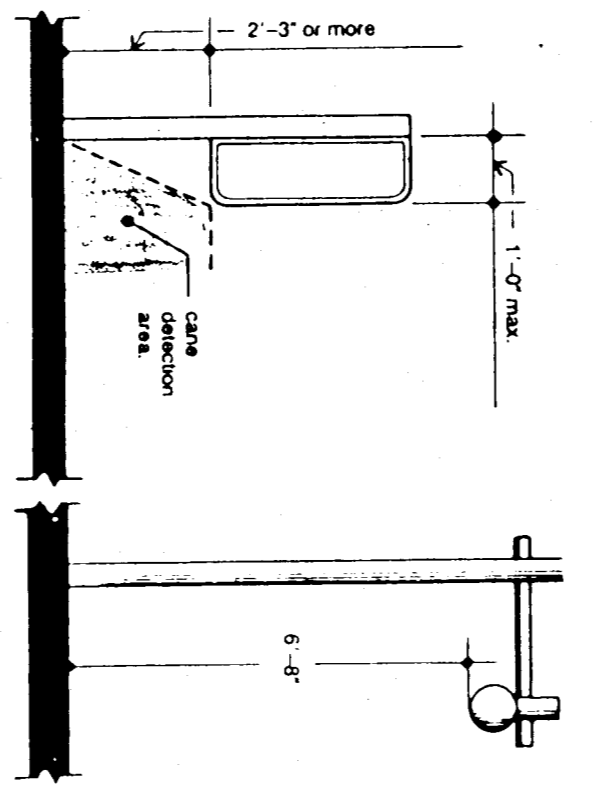
1. THE INTERNATIONAL SYMBOL OF ACCESSIBILITY SHALL BE THE STANDARD SYMBOL FOR HANDICAPPED PARKING. THE SYMBOL SHALL BE MOUNTED AT A DISTANCE OF 1'-0" FROM THE WALL OR POST. THE SIGN SHALL BE MOUNTED AT A DISTANCE OF 1'-0" FROM THE WALL OR POST.

5. TRAFFIC ENTRY WARNING SIGNS



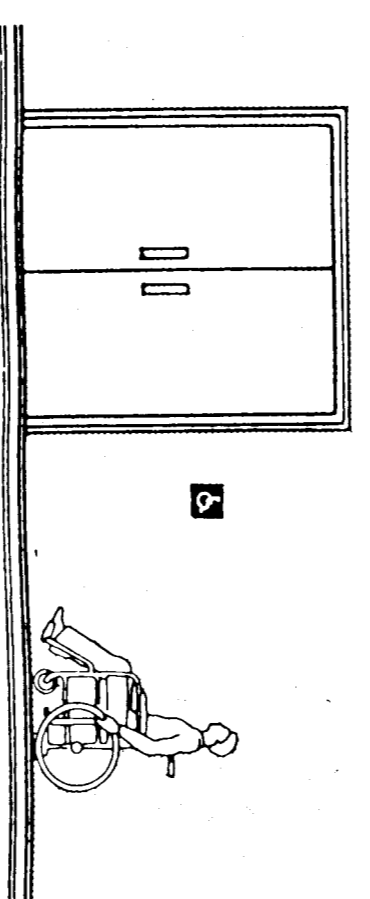
1. THE STATE OF CALIFORNIA HAS ENACTED A LAW THAT REQUIRES THE STATE TO DISPLAY THIS SIGN BY NOT QUALIFYING THIS STATEMENT TO REFER TO THE HANDICAPPED WITH THE WORDS "HANDICAPPED" OR "HANDICAPPED PERSONS". THE SIGN SHALL BE MOUNTED AT A DISTANCE OF 1'-0" FROM THE WALL OR POST. THE SIGN SHALL BE MOUNTED AT A DISTANCE OF 1'-0" FROM THE WALL OR POST.

6. WALKWAY DIRECTIONAL SIGNS



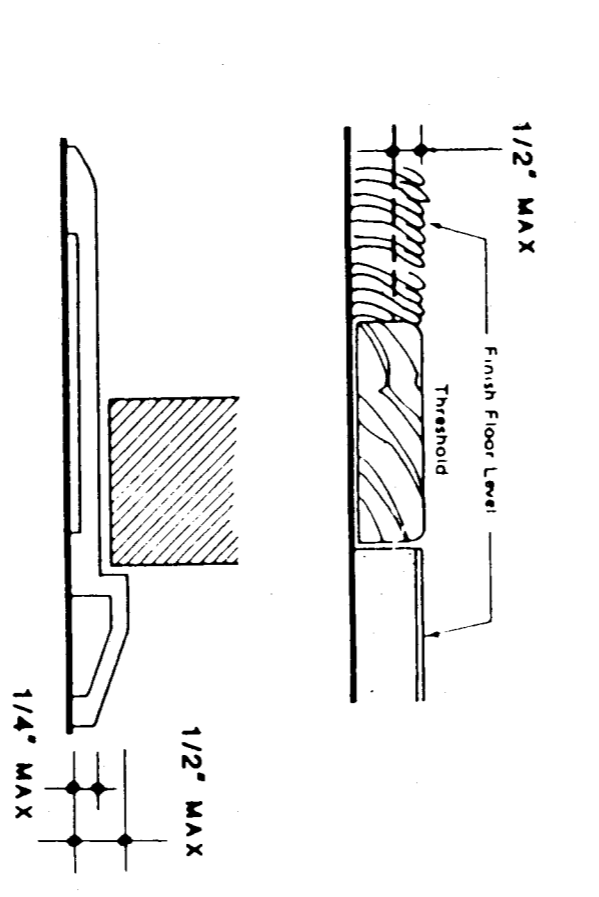
1. ANY DIRECTIONAL SIGN CONTAINING A WHEELCHAIR SYMBOL OR WHEELCHAIR SYMBOL SHALL BE MOUNTED AT A DISTANCE OF 1'-0" FROM THE WALL OR POST. THE SIGN SHALL BE MOUNTED AT A DISTANCE OF 1'-0" FROM THE WALL OR POST.

7. CURB RAMP



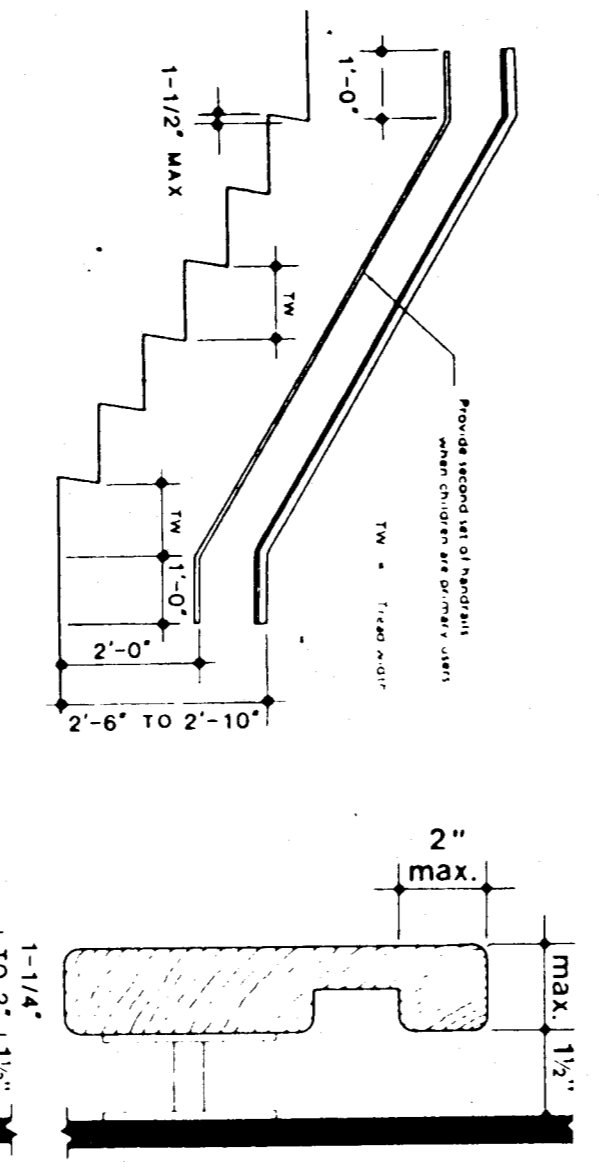
1. CURB RAMP SHALL BE MOUNTED AT A DISTANCE OF 1'-0" FROM THE WALL OR POST. THE SIGN SHALL BE MOUNTED AT A DISTANCE OF 1'-0" FROM THE WALL OR POST.

8. RAMP DETAIL



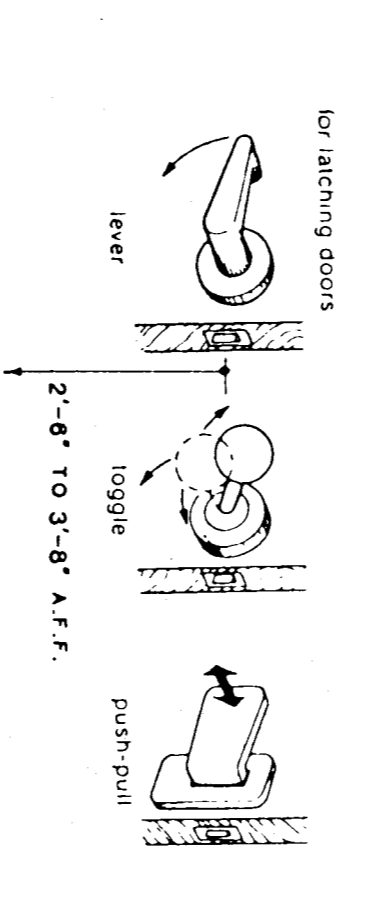
1. RAMP SHALL BE MOUNTED AT A DISTANCE OF 1'-0" FROM THE WALL OR POST. THE SIGN SHALL BE MOUNTED AT A DISTANCE OF 1'-0" FROM THE WALL OR POST.

9. HANDRAILS AT RAMP



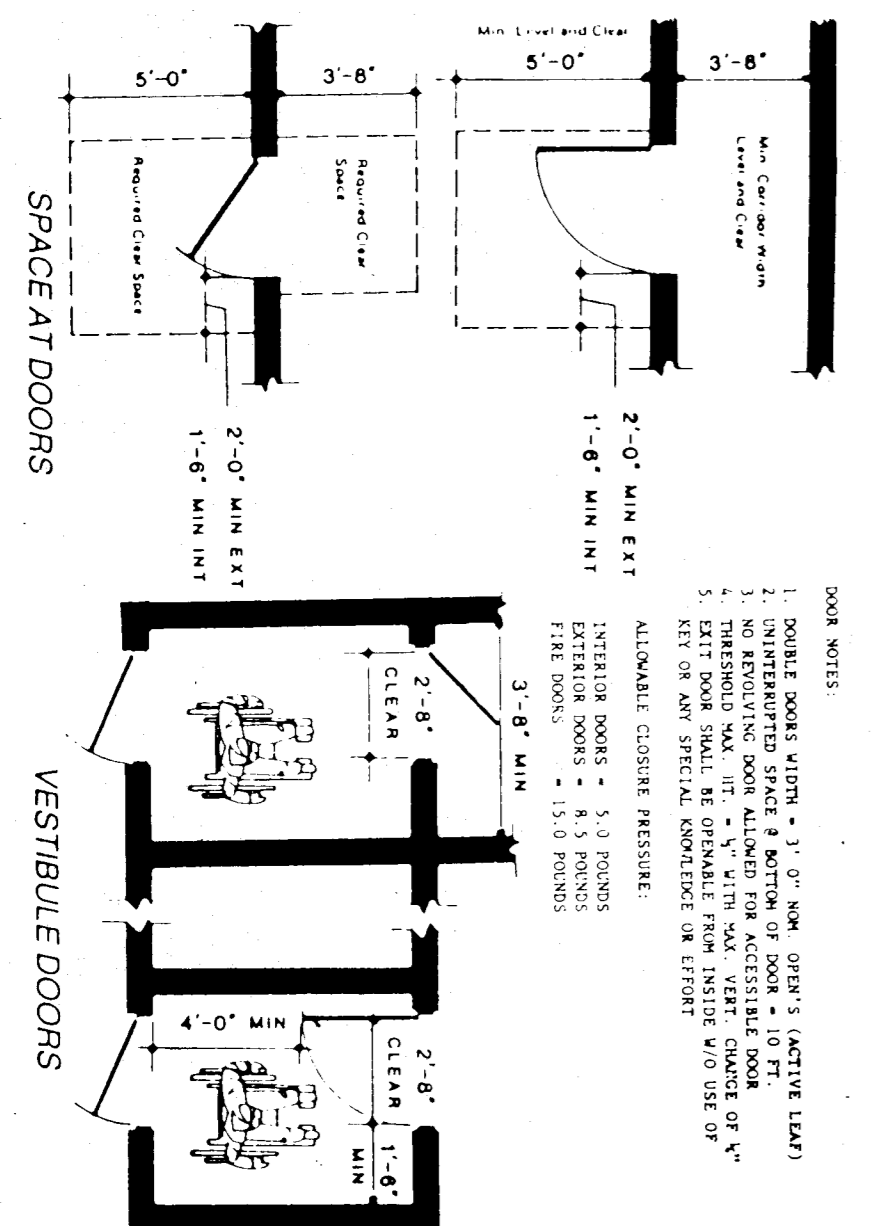
1. HANDRAILS SHALL BE MOUNTED AT A DISTANCE OF 1'-0" FROM THE WALL OR POST. THE SIGN SHALL BE MOUNTED AT A DISTANCE OF 1'-0" FROM THE WALL OR POST.

10. EXTERIOR HAZARD

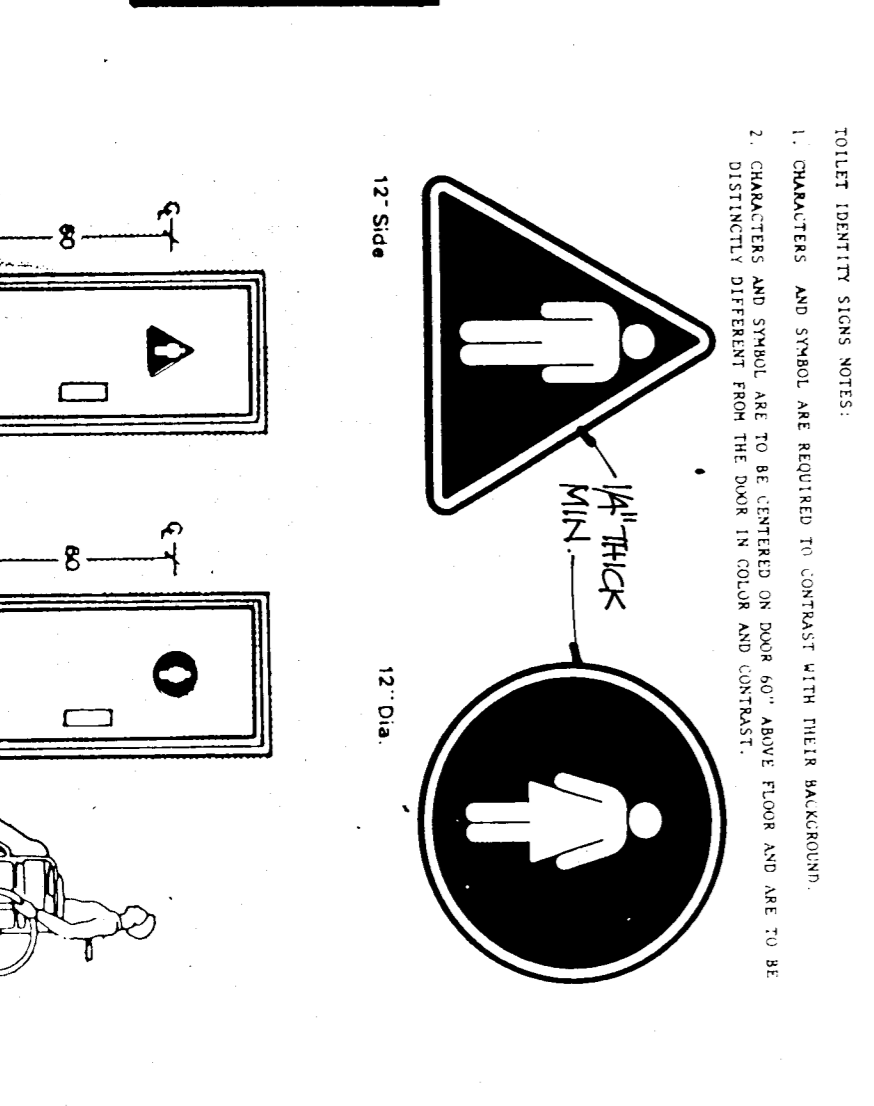


1. OPERATE FROM A SINGLE EFFORT, NO CRASHPING OR WRIST MOVEMENT. 2. LEVERS, PUSH-PULLS OR PANIC DEVICES MOUNTED 3' TO 4' HIGH.

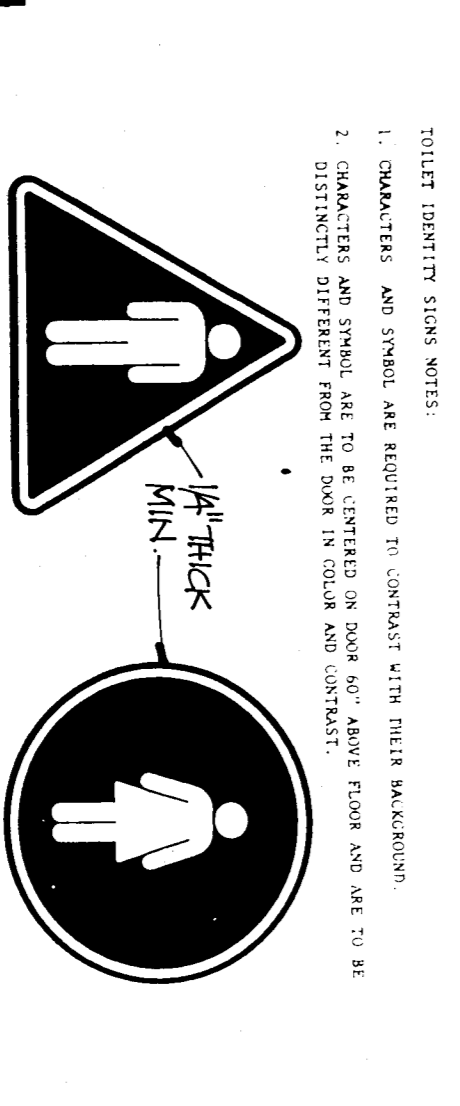
11. EXTERIOR HAZARDS



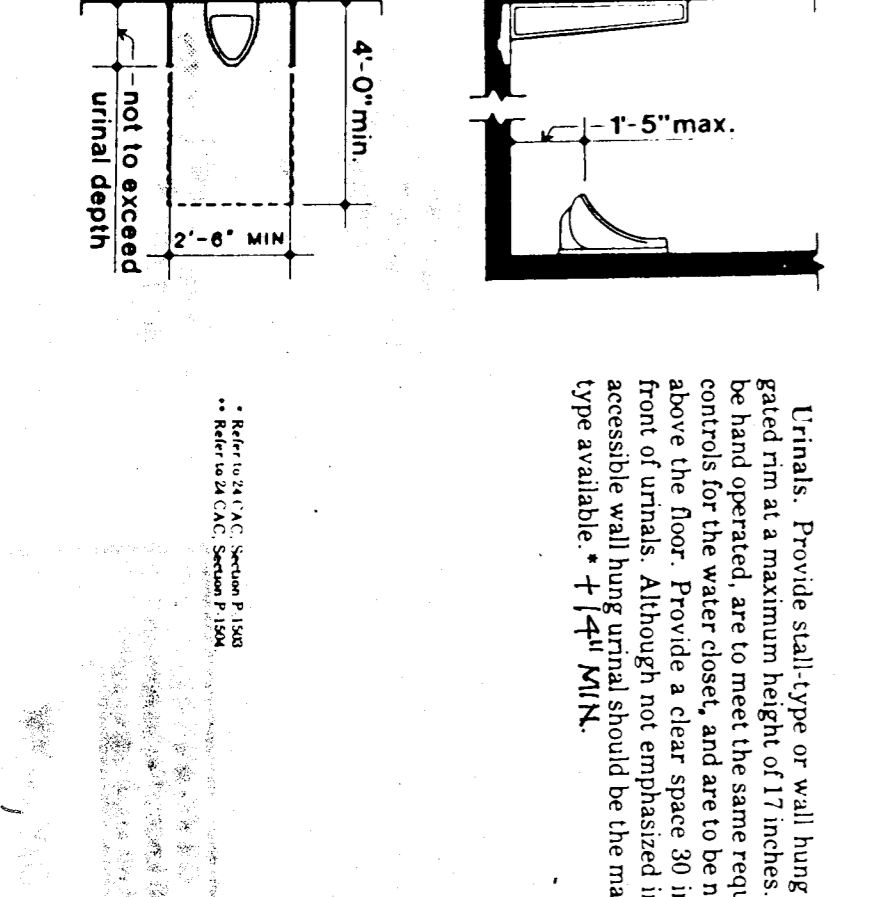
16. DOOR CLEARANCES



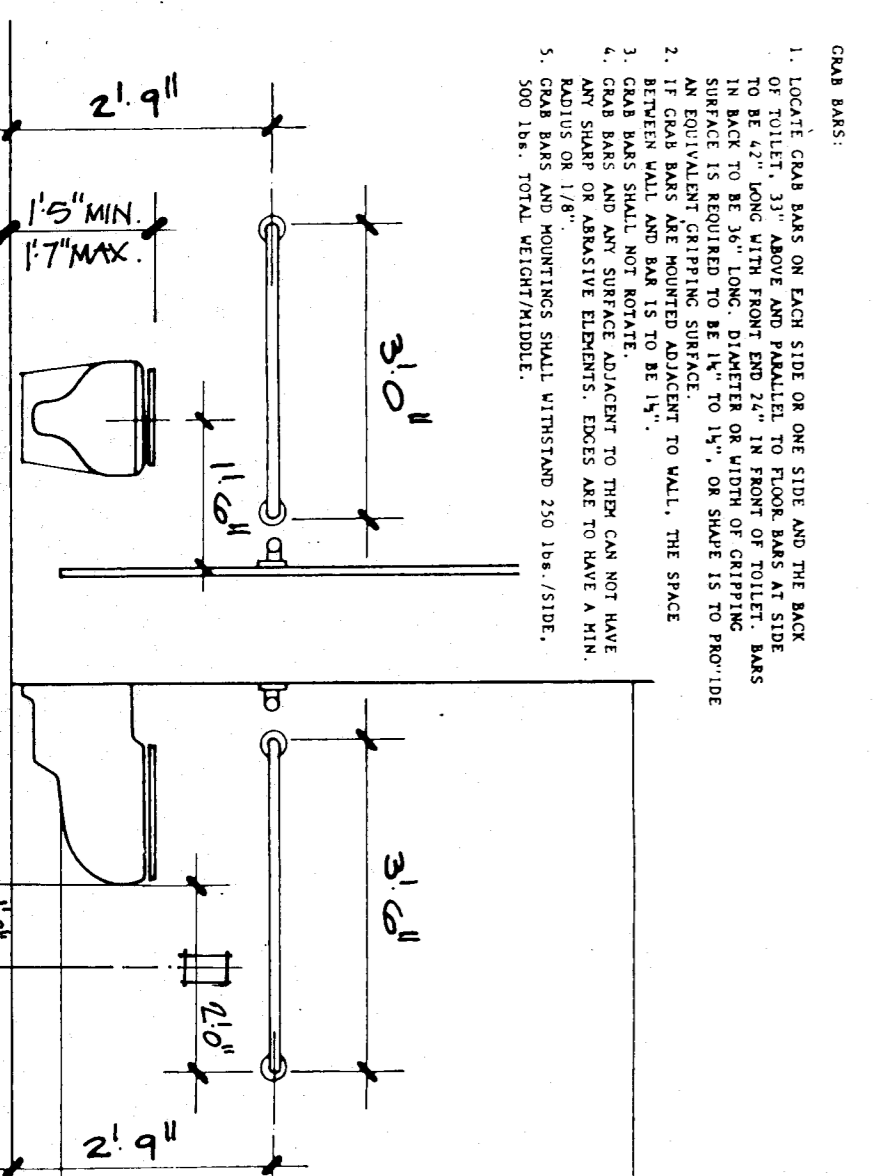
12. ENTRY SIGNS



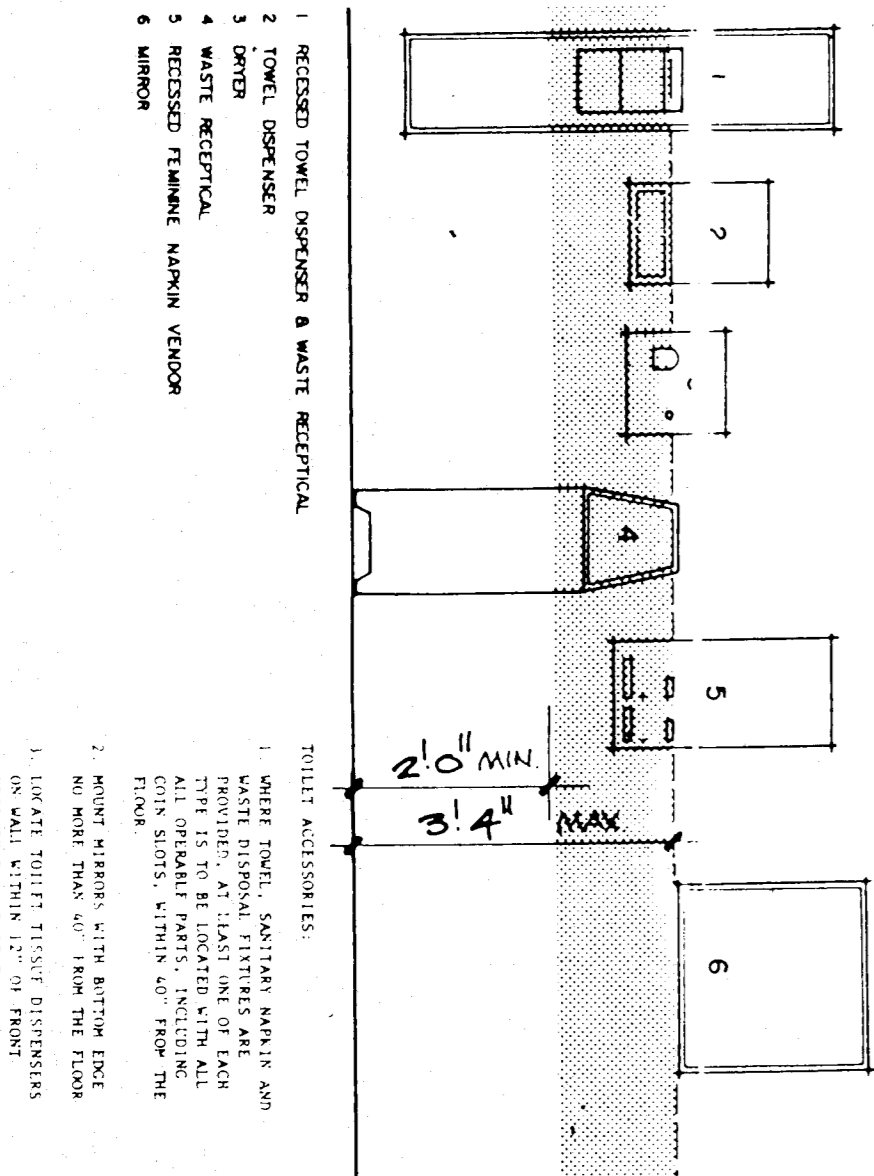
13. THRESHOLDS



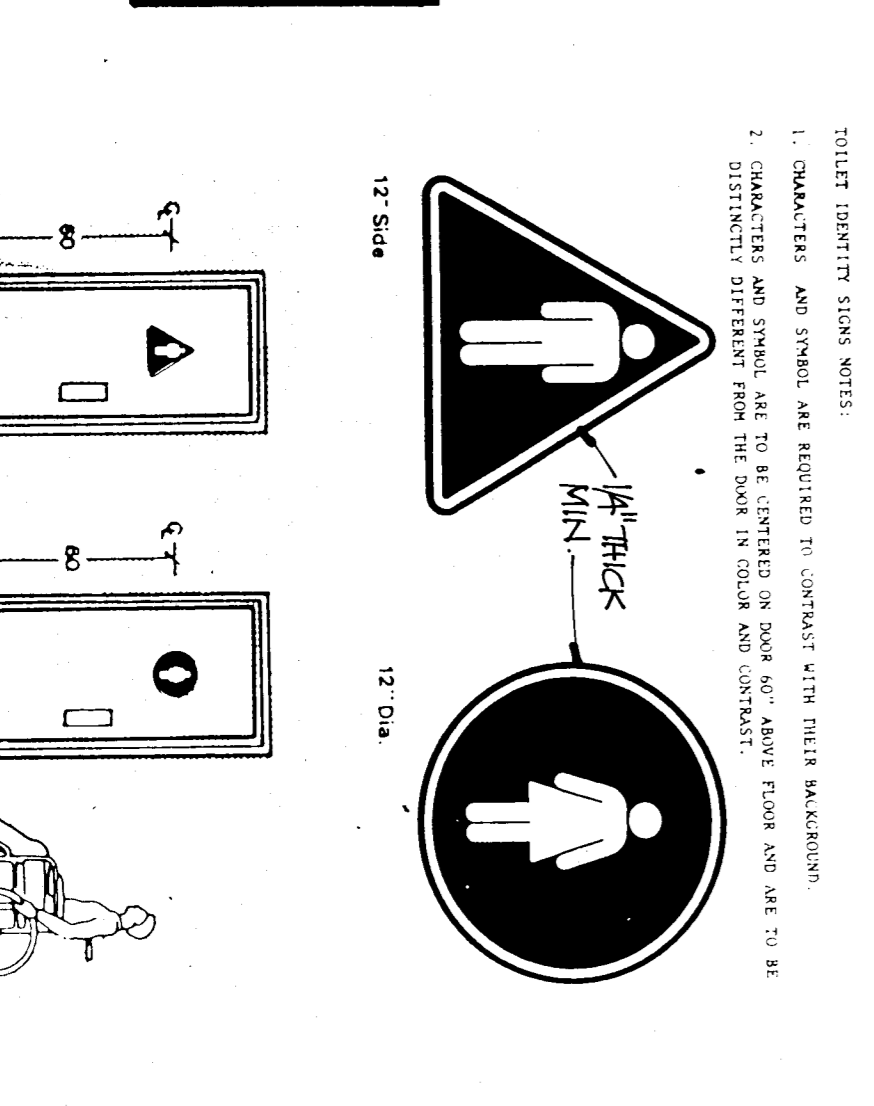
14. HANDRAIL DETAILS



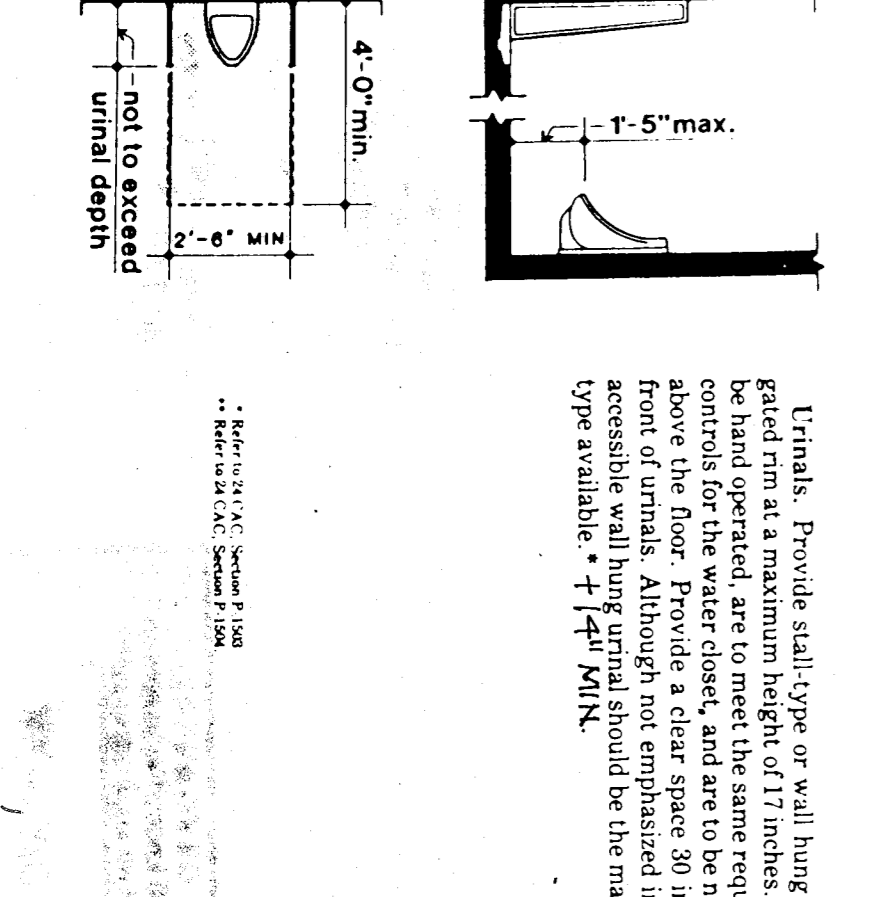
15. HARDWARE



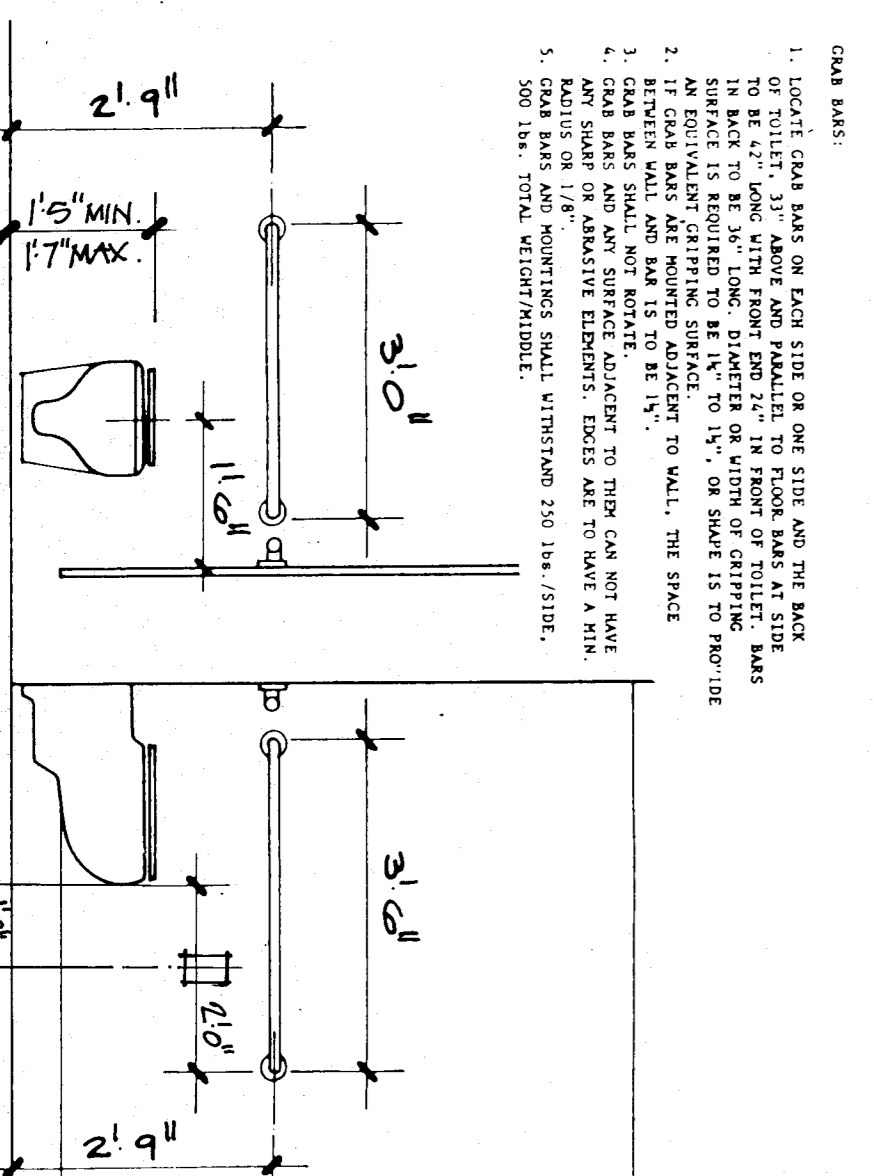
17. TOILET IDENTITY SIGNS



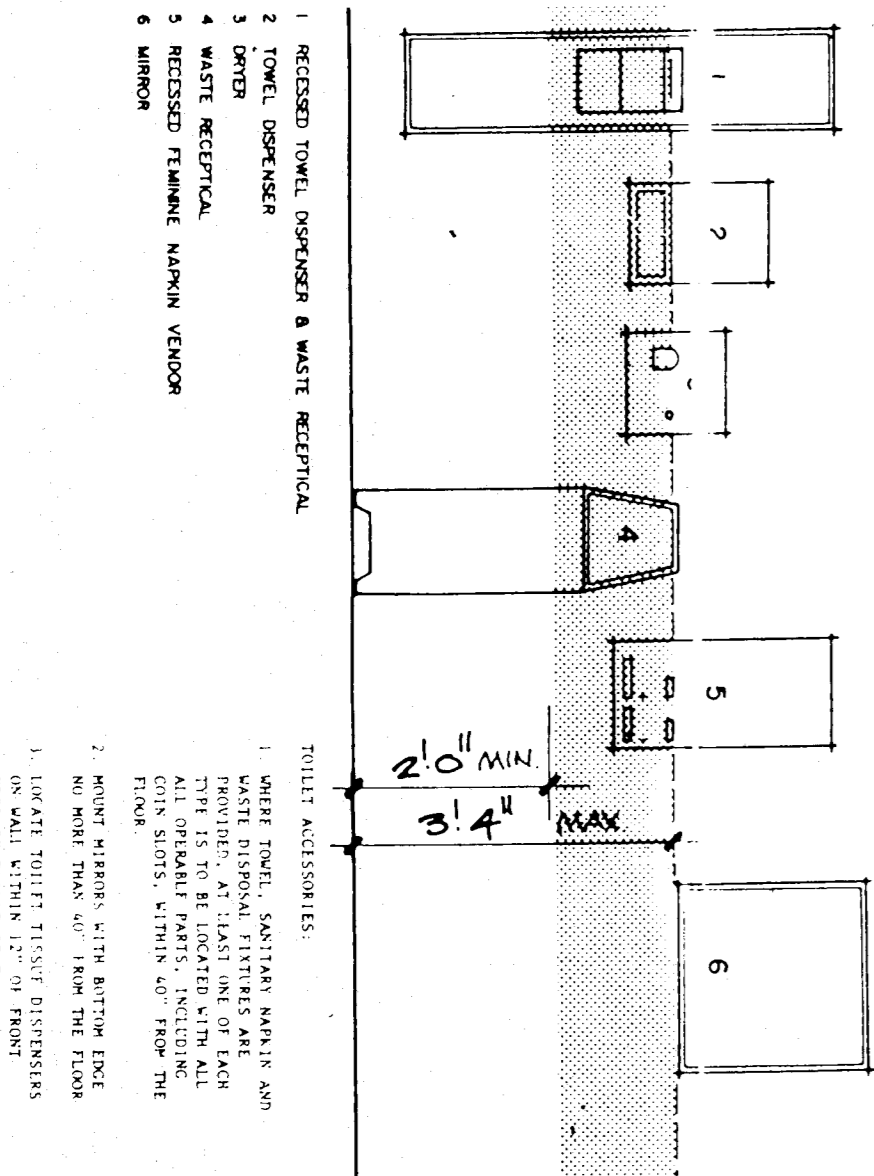
18. URINALS



19. GRAB BARS



20. TOILET ACCESSORIES



<p>pechin associates aia</p> <p>1400 easton drive suite 138 bakersfield, california, 93309 (805) 322-2021</p>	<p>BESSIE E. OWENS SCHOOL MODERNIZATION CITY SCHOOL DISTRICT</p>	<p>DATE</p>	<p>ISSUED FOR</p>
	<p>PROJECT 419-0788</p>	<p>DATE</p>	<p>REVISION</p>